



US00D664528S

(12) **United States Design Patent**  
**Chen et al.**

(10) **Patent No.:** **US D664,528 S**  
(45) **Date of Patent:** **\*\* Jul. 31, 2012**

(54) **MOBILE PHONE STAND**

(76) Inventors: **Jason Chen**, Marlton, NJ (US);  
**Yong-Yue Cai**, Nin-Bo (CN)

(\*\*) Term: **14 Years**

(21) Appl. No.: **29/399,028**

(22) Filed: **Aug. 9, 2011**

(51) **LOC (9) Cl.** ..... **14-03**

(52) **U.S. Cl.** ..... **D14/253**

(58) **Field of Classification Search** ..... D14/140,  
D14/142, 147-149, 217, 240, 251-253, 432,  
D14/434, 447, 452, 454, 496, 144, 451, 457,  
D14/238.1, 239, 250, 137; D8/363, 373,  
D8/396, 355; D12/415, 418, 422; 248/206.2-206.4,  
248/220.21, 279.1, 59, 74.1, 74.2; 379/426,  
379/446, 454, 455; D13/107-108; D16/242;  
D21/333; 361/679.3; 320/115; 455/572,  
455/569.2, 575.9; D3/218, 201; D6/466;  
D10/74; 439/529

See application file for complete search history.

(56) **References Cited**

**U.S. PATENT DOCUMENTS**

D279,185 S \* 6/1985 Felix et al. .... D14/251  
5,607,135 A \* 3/1997 Yamada ..... 248/456  
D558,774 S \* 1/2008 Najima ..... D14/447

D573,598 S \* 7/2008 Chu ..... D14/447  
D626,964 S \* 11/2010 Richardson et al. .... D14/447  
7,861,995 B2 \* 1/2011 Liou ..... 248/454  
D637,583 S \* 5/2011 Beal et al. .... D14/217  
D639,815 S \* 6/2011 Lye ..... D14/447  
D639,816 S \* 6/2011 Bau ..... D14/447  
2004/0007649 A1 \* 1/2004 Vettrano ..... 248/127  
2006/0186303 A1 \* 8/2006 Phifer et al. .... 248/454  
2009/0179132 A1 \* 7/2009 Qin et al. .... 248/371  
2010/0090085 A1 \* 4/2010 Corrion ..... 248/459

\* cited by examiner

*Primary Examiner* — Raphael Barkai

*Assistant Examiner* — Randall Gholson

(74) *Attorney, Agent, or Firm* — Lin & Associates IP, Inc.

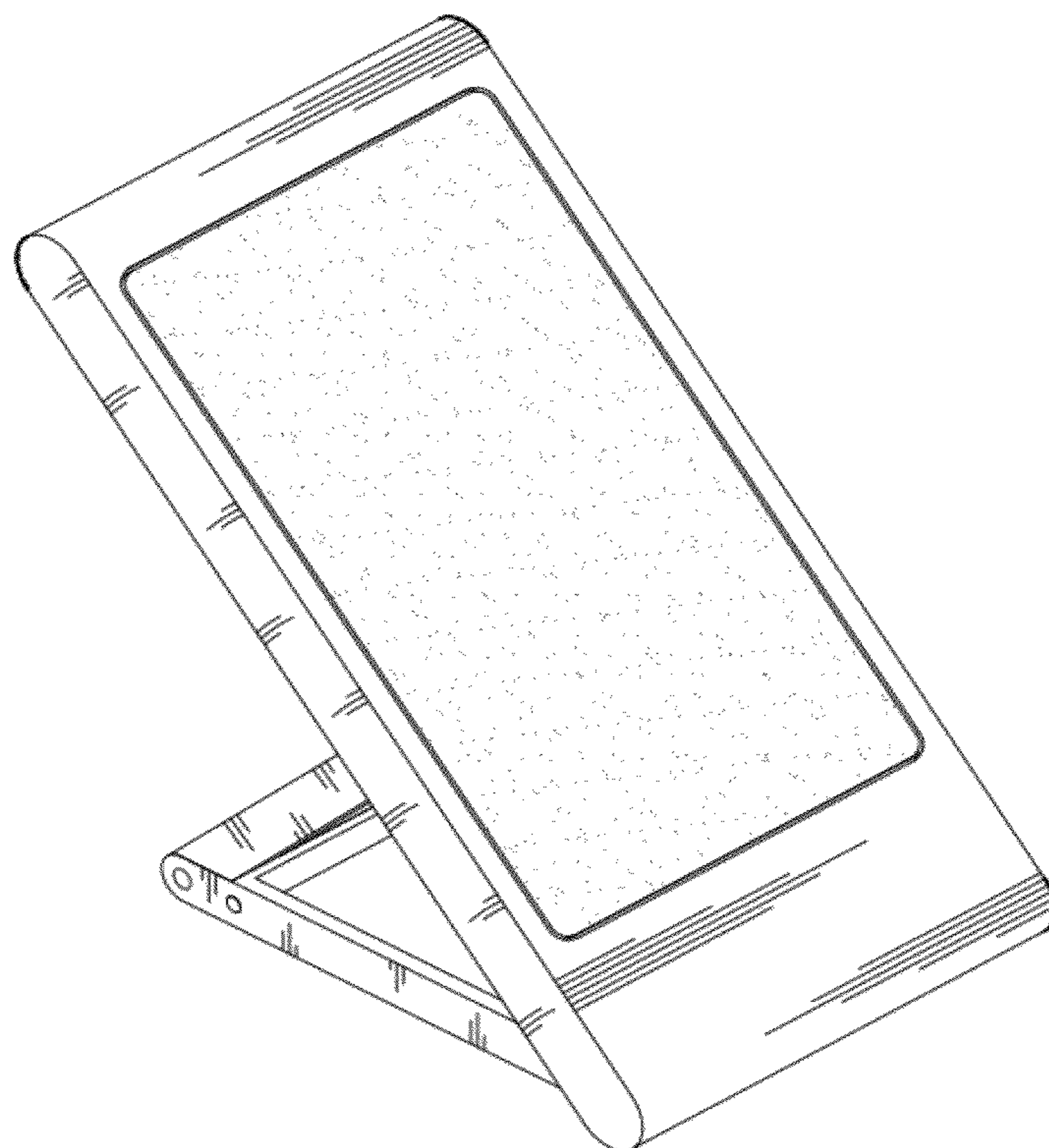
(57) **CLAIM**

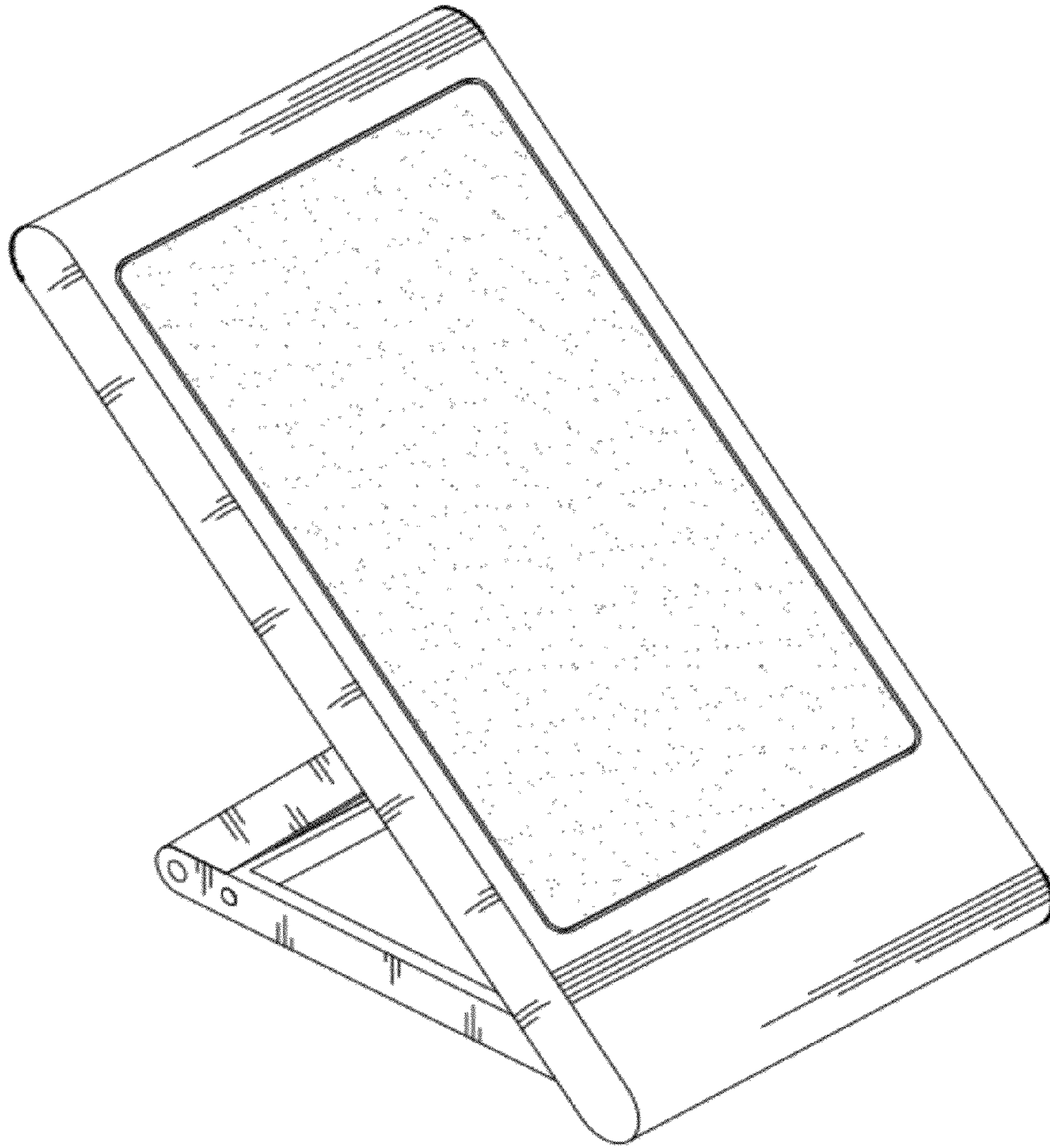
The ornamental design for a mobile phone stand, as shown and described.

**DESCRIPTION**

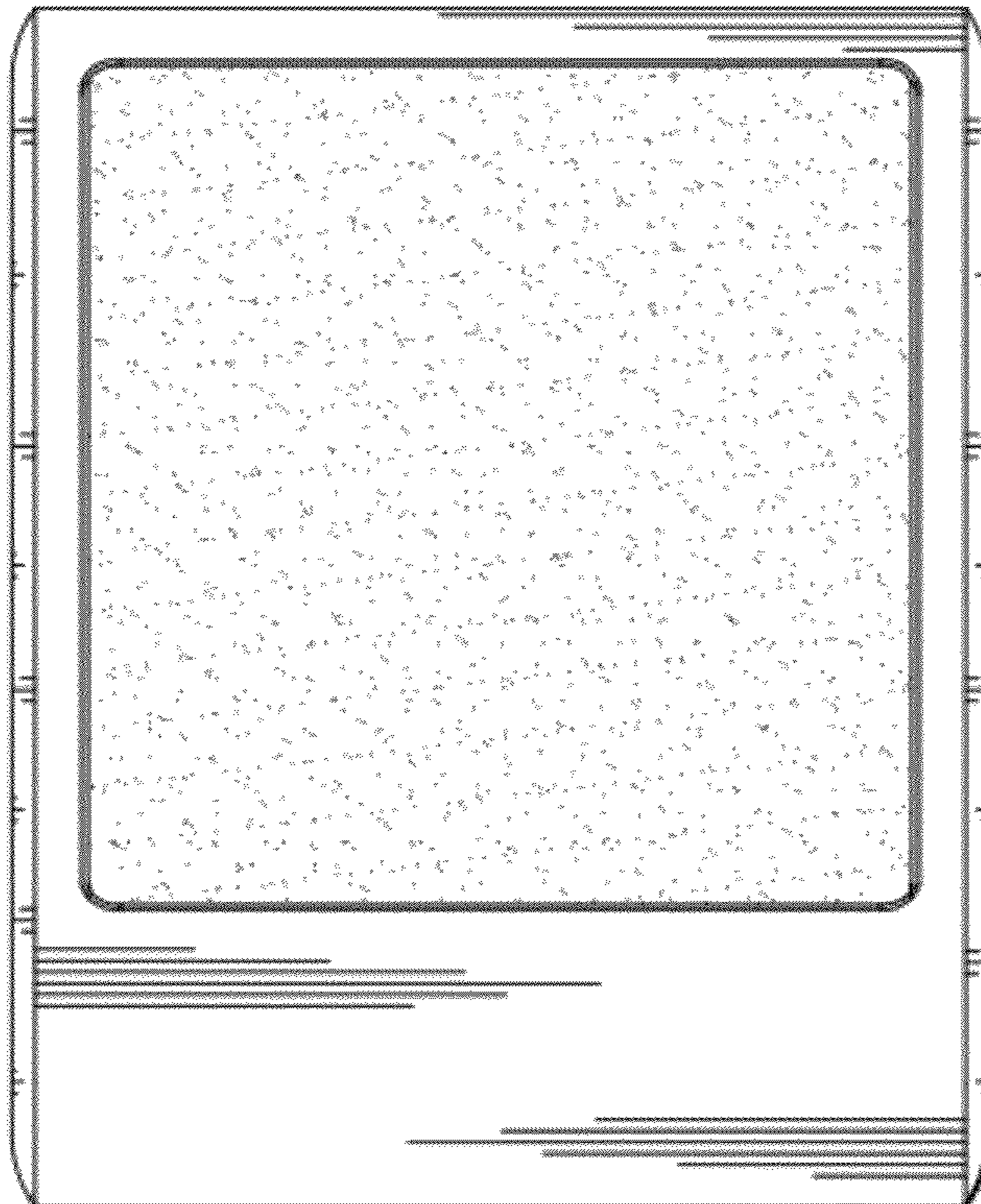
FIG. 1 is a perspective view of a mobile phone stand showing my new design;  
FIG. 2 is a front elevational view thereof;  
FIG. 3 is a rear elevational view thereof;  
FIG. 4 is a left elevational view thereof;  
FIG. 5 is a right elevational view thereof;  
FIG. 6 is a top view thereof; and,  
FIG. 7 is a bottom view.

**1 Claim, 7 Drawing Sheets**



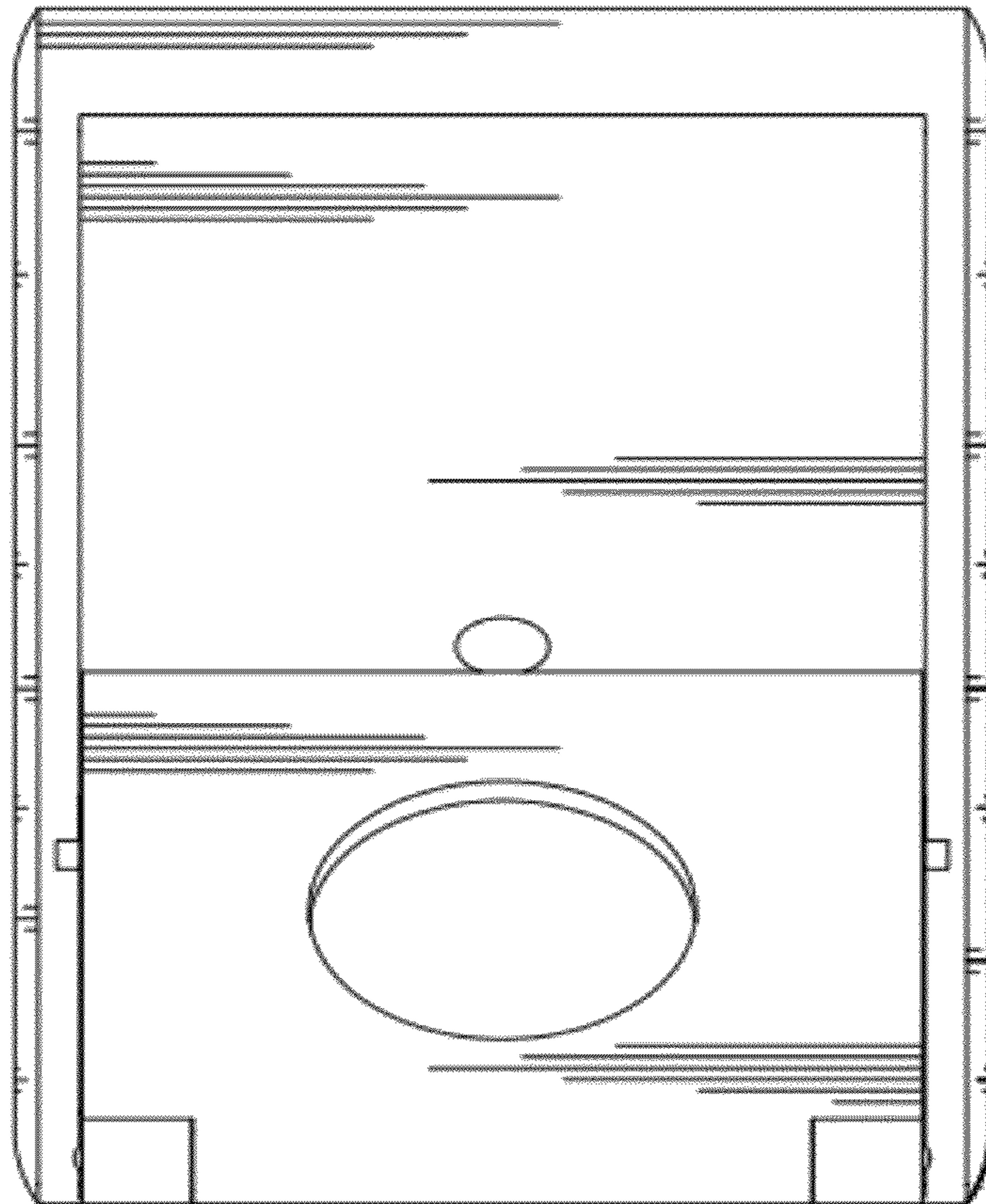


**FIG. 1**

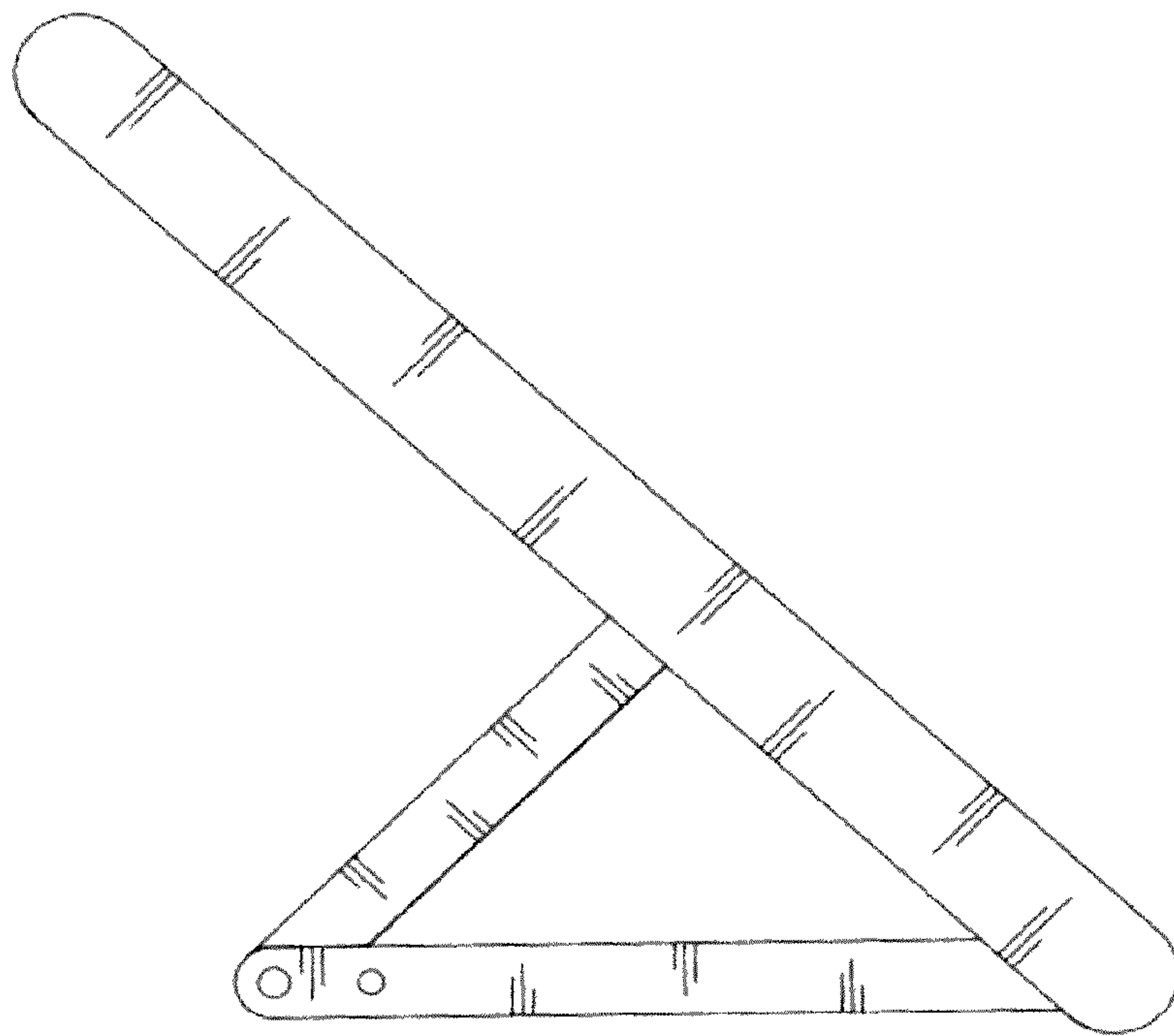


**FIG. 2**

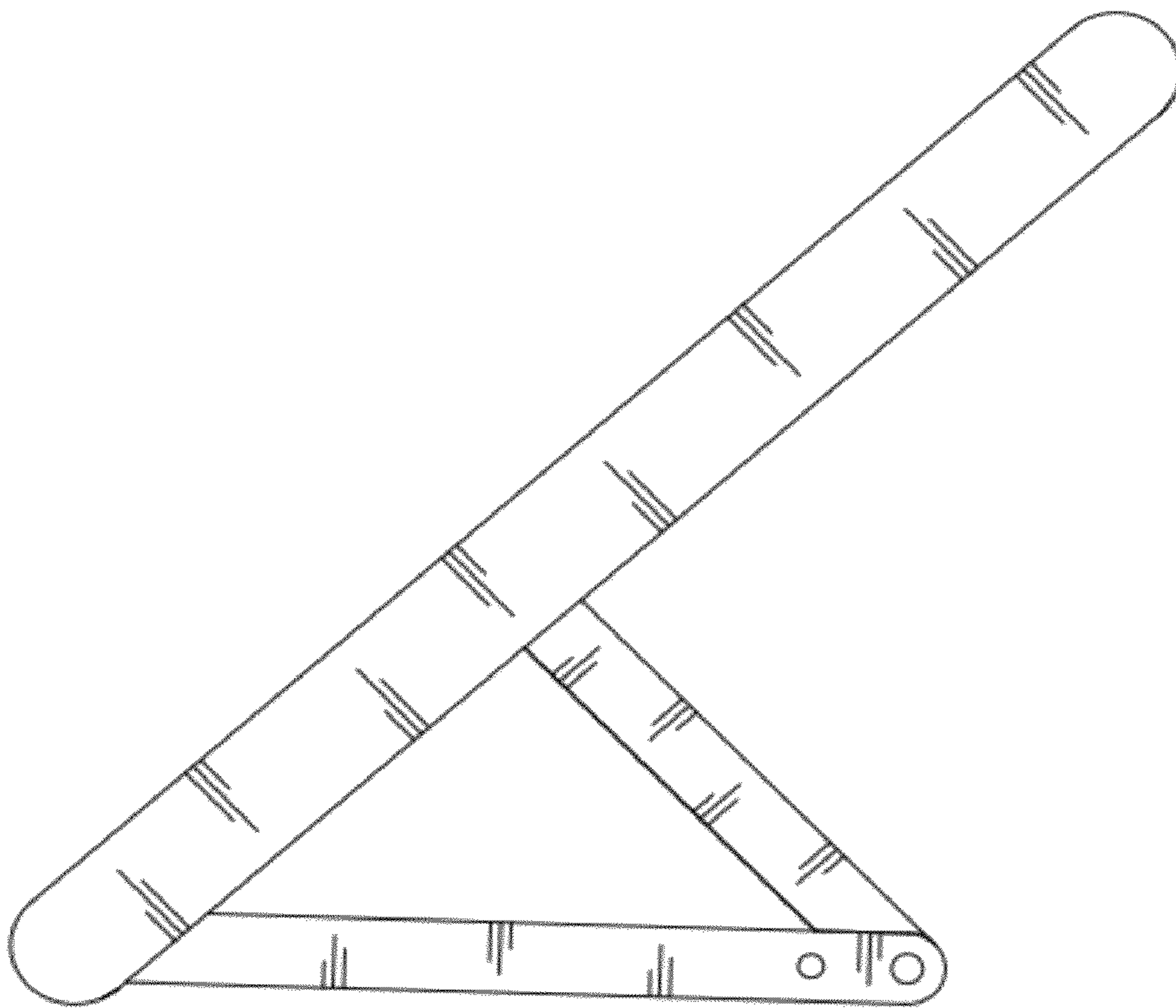




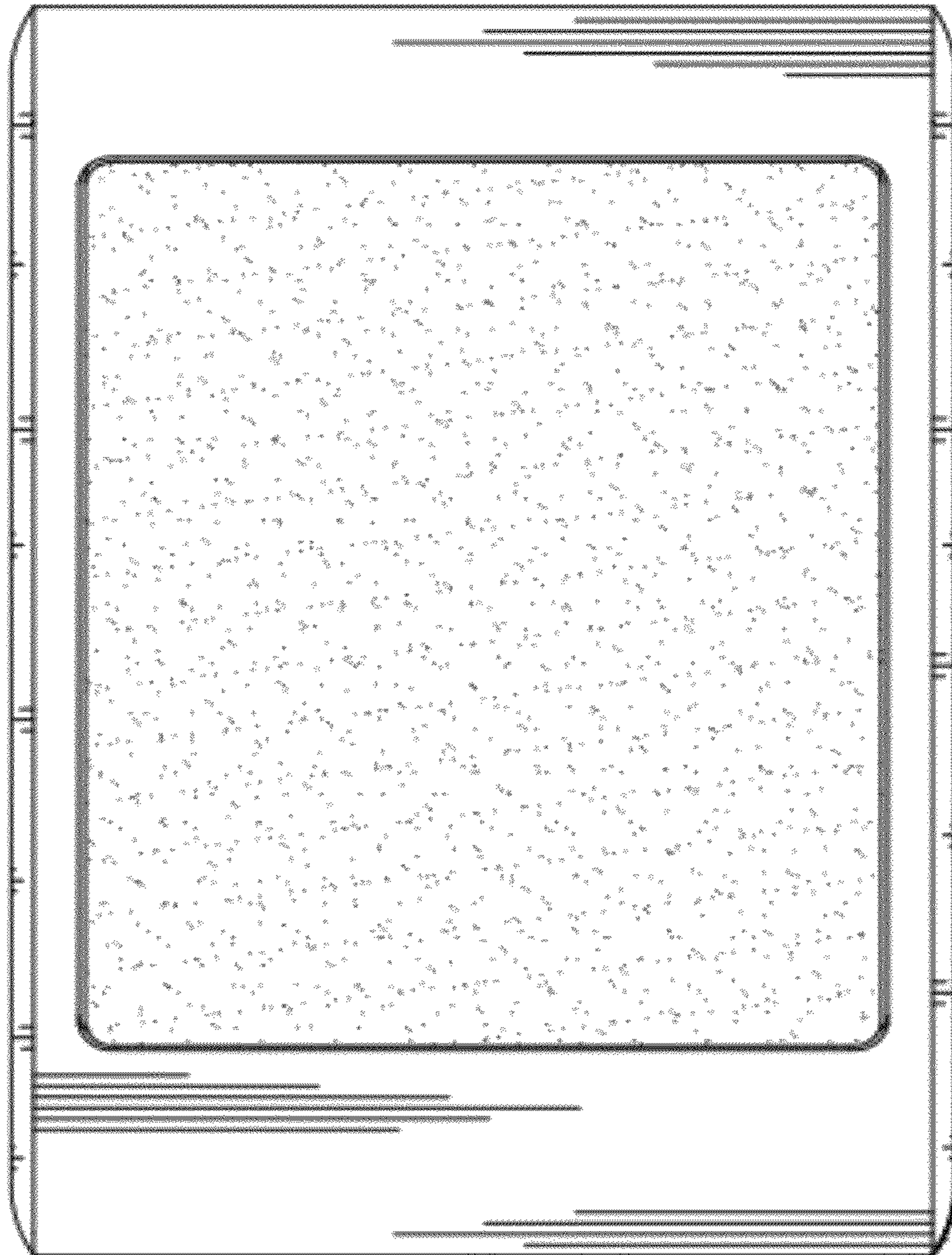
**FIG. 3**



**FIG. 4**

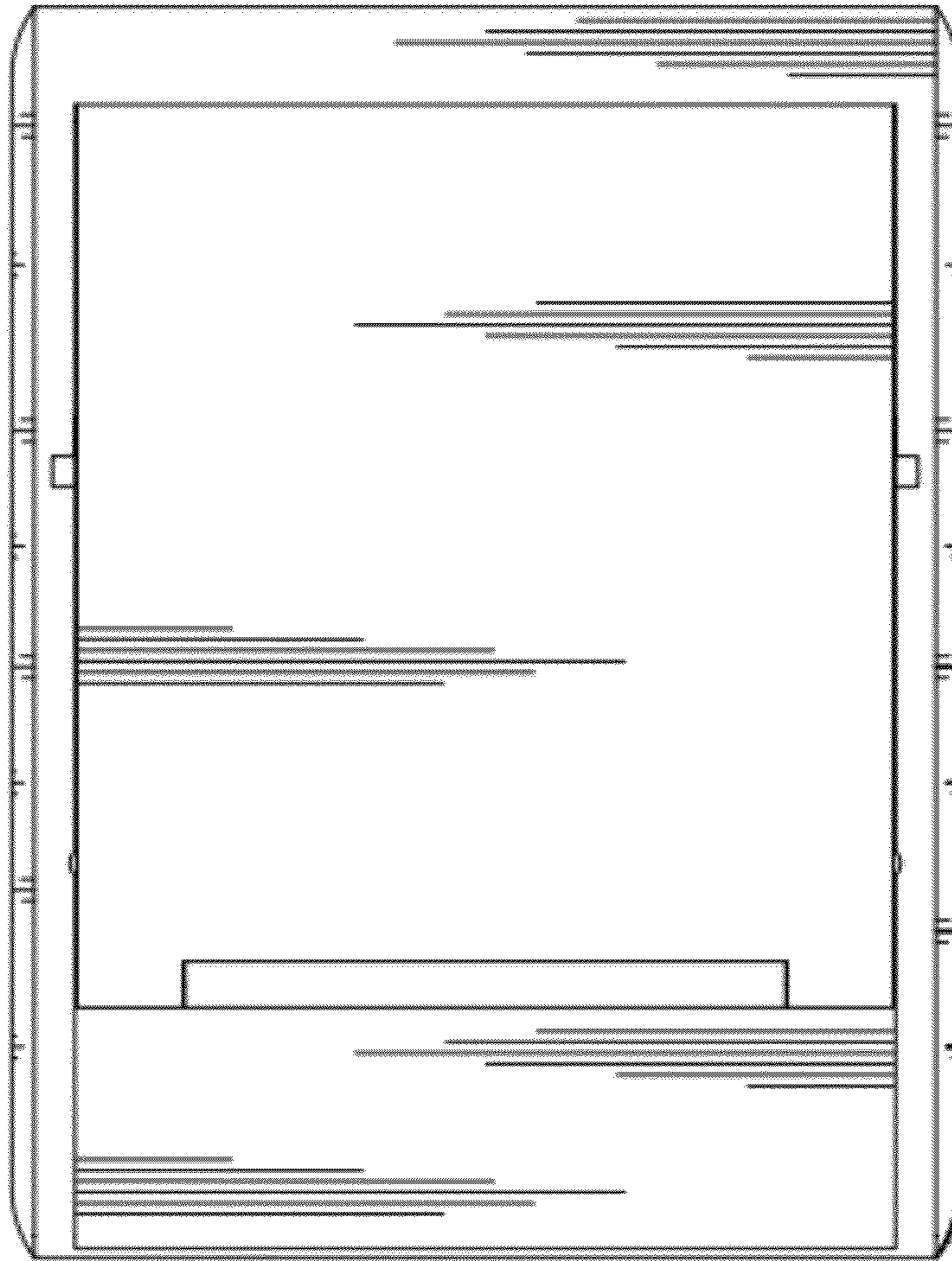


**FIG. 5**



**FIG. 6**





**FIG. 7**