



US00D664522S

(12) **United States Design Patent**
Chen

(10) **Patent No.:** **US D664,522 S**
(45) **Date of Patent:** **** Jul. 31, 2012**

- (54) **BLUETOOTH HEADSET**
- (75) Inventor: **Chih-Chung Chen**, New Taipei (TW)
- (73) Assignee: **Cheng Uei Precision Industry Co., Ltd.**, New Taipei (TW)
- (**) Term: **14 Years**
- (21) Appl. No.: **29/393,468**
- (22) Filed: **Jun. 4, 2011**
- (51) **LOC (9) Cl.** **14-01**
- (52) **U.S. Cl.** **D14/223**
- (58) **Field of Classification Search** D14/205,
D14/206, 223, 188, 192; 181/129, 130, 135;
379/430, 431, 433.03; 381/380, 381; D13/168;
D3/206; 455/90.3, 575.1
See application file for complete search history.

(56) **References Cited**

U.S. PATENT DOCUMENTS

D257,765 S *	1/1981	Schachter	D10/46
D303,638 S *	9/1989	Andrews et al.	D10/106.1
D306,853 S *	3/1990	Mayo et al.	D13/168
D316,847 S *	5/1991	Rowen et al.	D13/168
D317,593 S *	6/1991	Rowen	D13/168
D361,058 S *	8/1995	Domel et al.	D13/168
D405,796 S *	2/1999	Uehara	D14/218
D413,328 S *	8/1999	Kazama	D14/218
D490,070 S *	5/2004	Lee	D14/188
D553,613 S *	10/2007	Sade et al.	D14/223
D559,836 S *	1/2008	Lee	D14/223

D595,272 S *	6/2009	Kim et al.	D14/223
D596,166 S *	7/2009	Henning	D14/223
D602,005 S *	10/2009	Lee et al.	D14/223
D602,919 S *	10/2009	Bodley et al.	D14/225
D617,779 S *	6/2010	Nylen	D14/223
D628,194 S *	11/2010	Koch	D14/223
D628,989 S *	12/2010	Lee et al.	D14/223
D630,622 S *	1/2011	Lee et al.	D14/223
D647,513 S *	10/2011	Ha et al.	D14/223
D649,959 S *	12/2011	Kim et al.	D14/223

* cited by examiner

Primary Examiner — Paula Greene

(74) *Attorney, Agent, or Firm* — Cheng-Ju Chiang

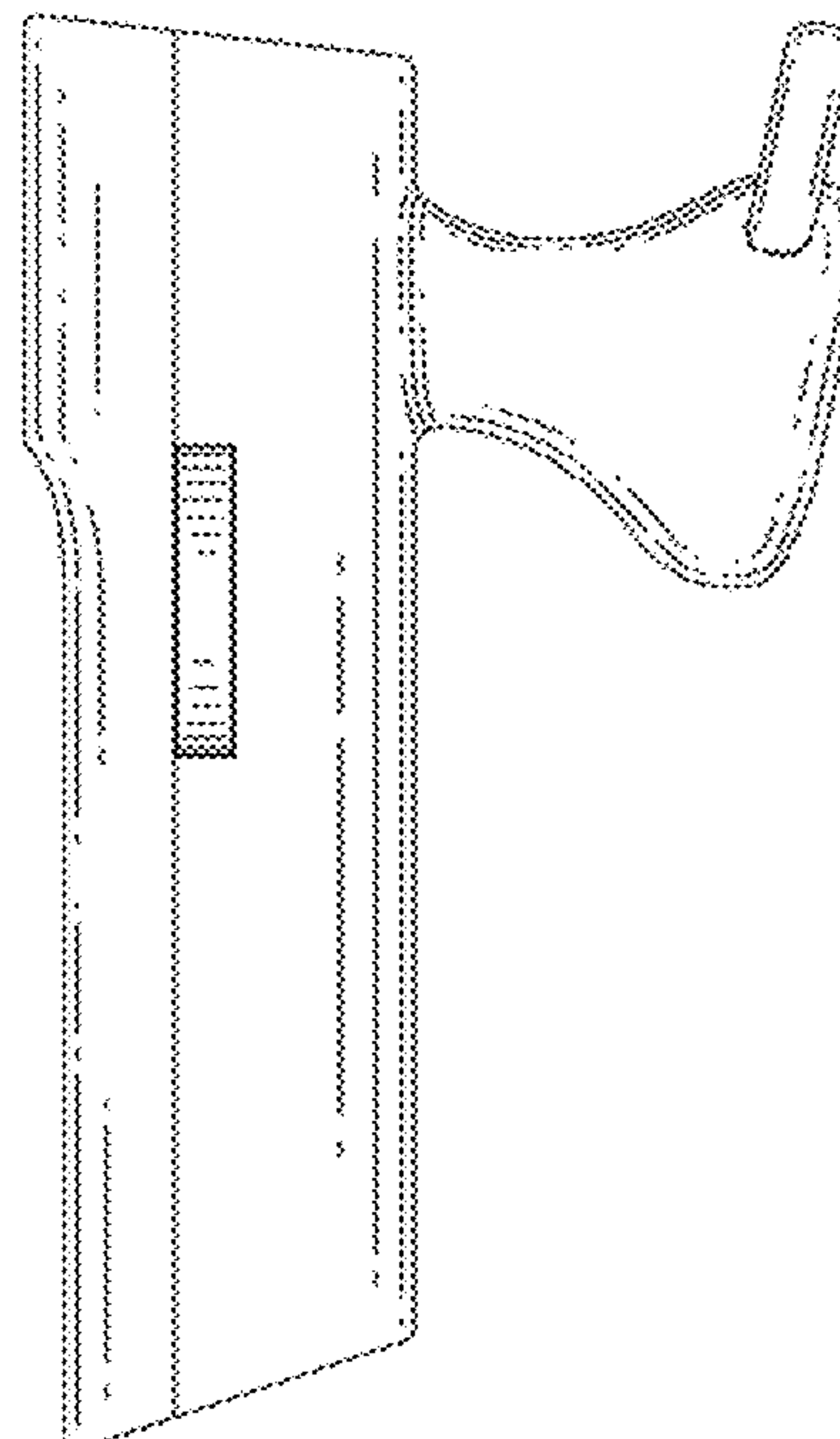
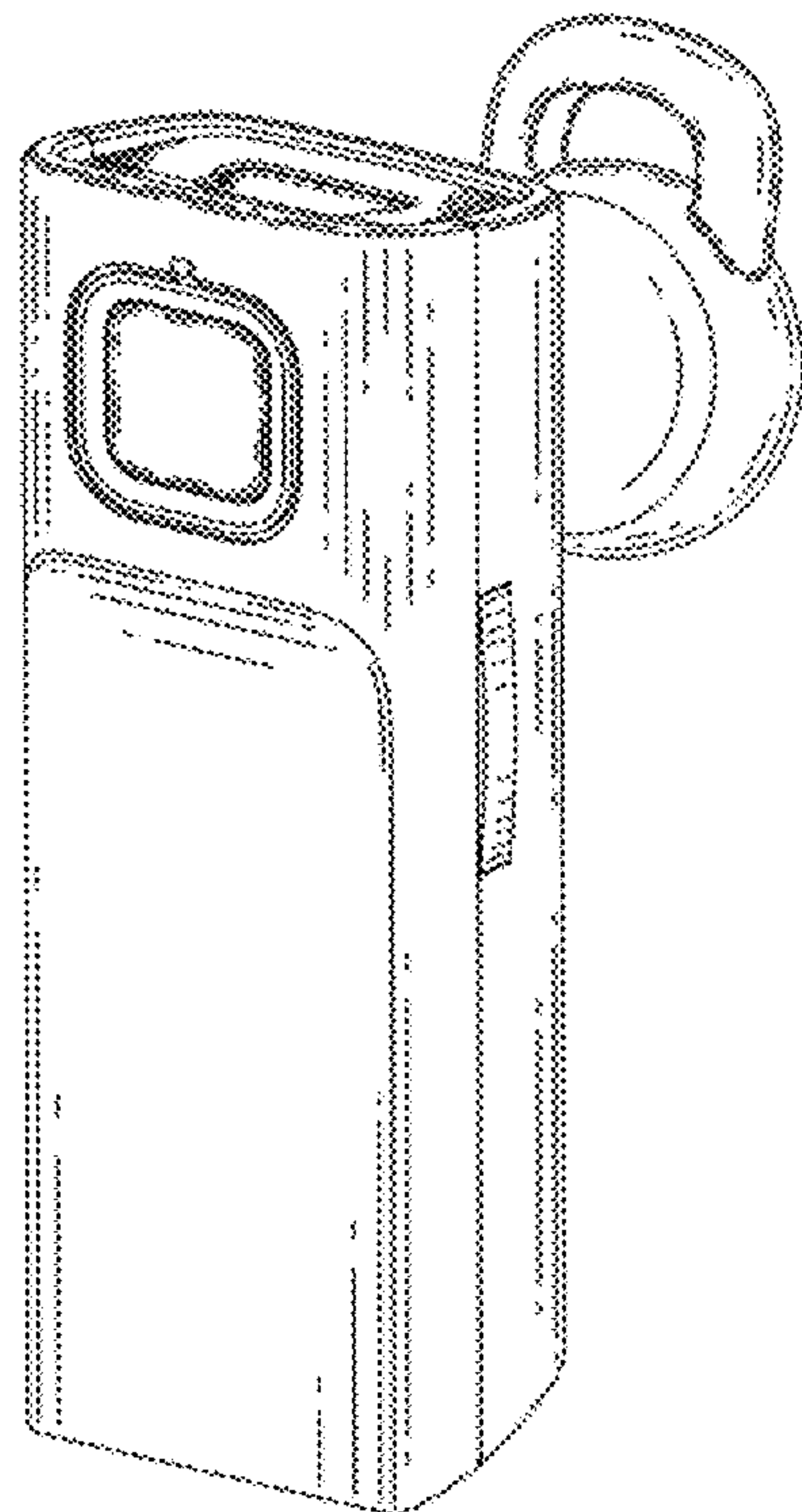
(57) **CLAIM**

The ornamental design for a bluetooth headset, as shown and described.

DESCRIPTION

FIG. 1 is a perspective view of a bluetooth headset showing my new design;
 FIG. 2 is a front elevational view thereof;
 FIG. 3 is a rear elevational view thereof;
 FIG. 4 is a left side elevational view thereof;
 FIG. 5 is a right side elevational view thereof;
 FIG. 6 is a top plan view thereof;
 FIG. 7 is a bottom plan view thereof; and,
 FIG. 8 is a rear perspective view thereof.
 The broken line portion of the figure drawings is included to show unclaimed subject matter only and forms no part of the claimed design.

1 Claim, 8 Drawing Sheets



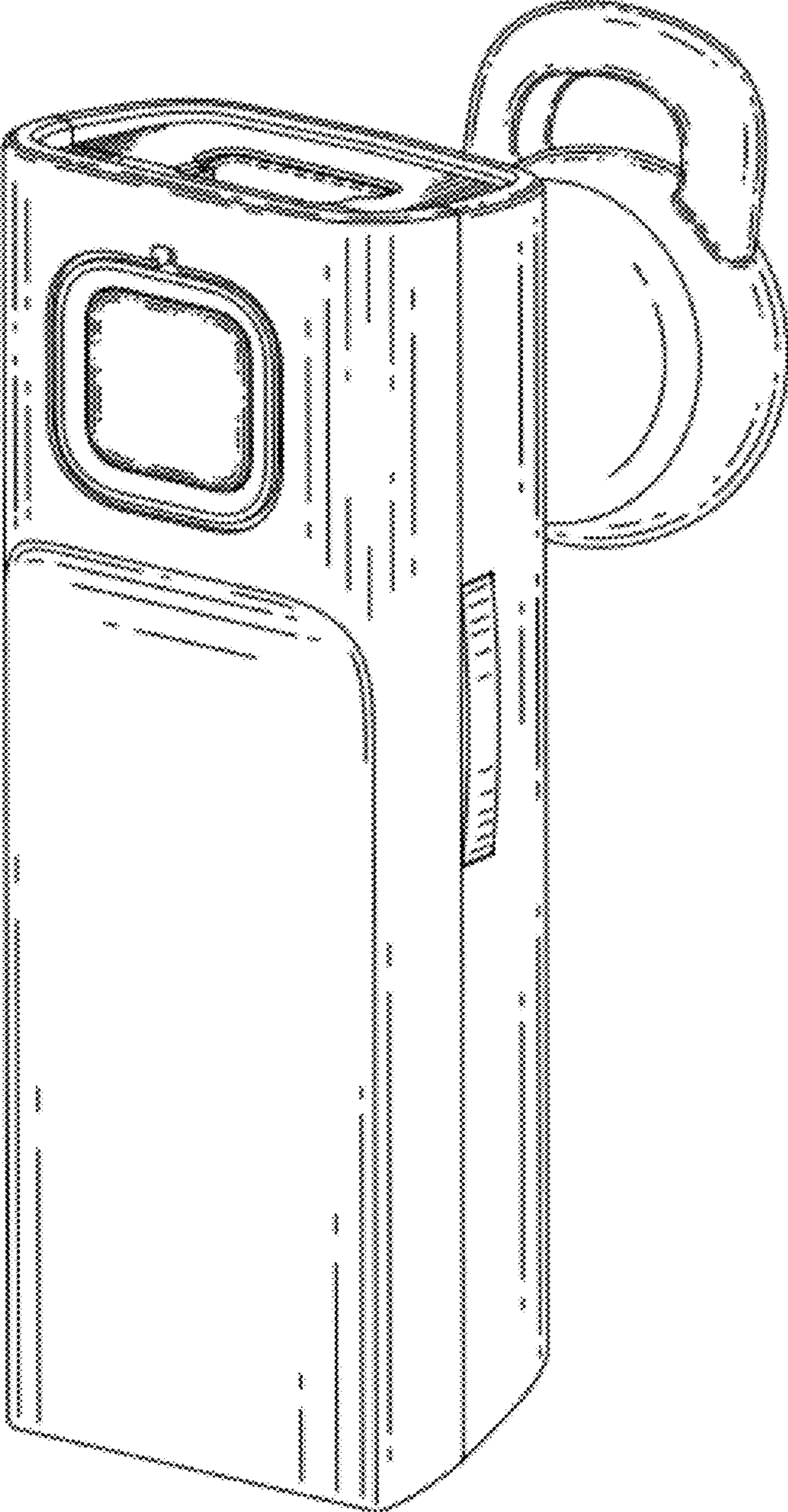


FIG. 1

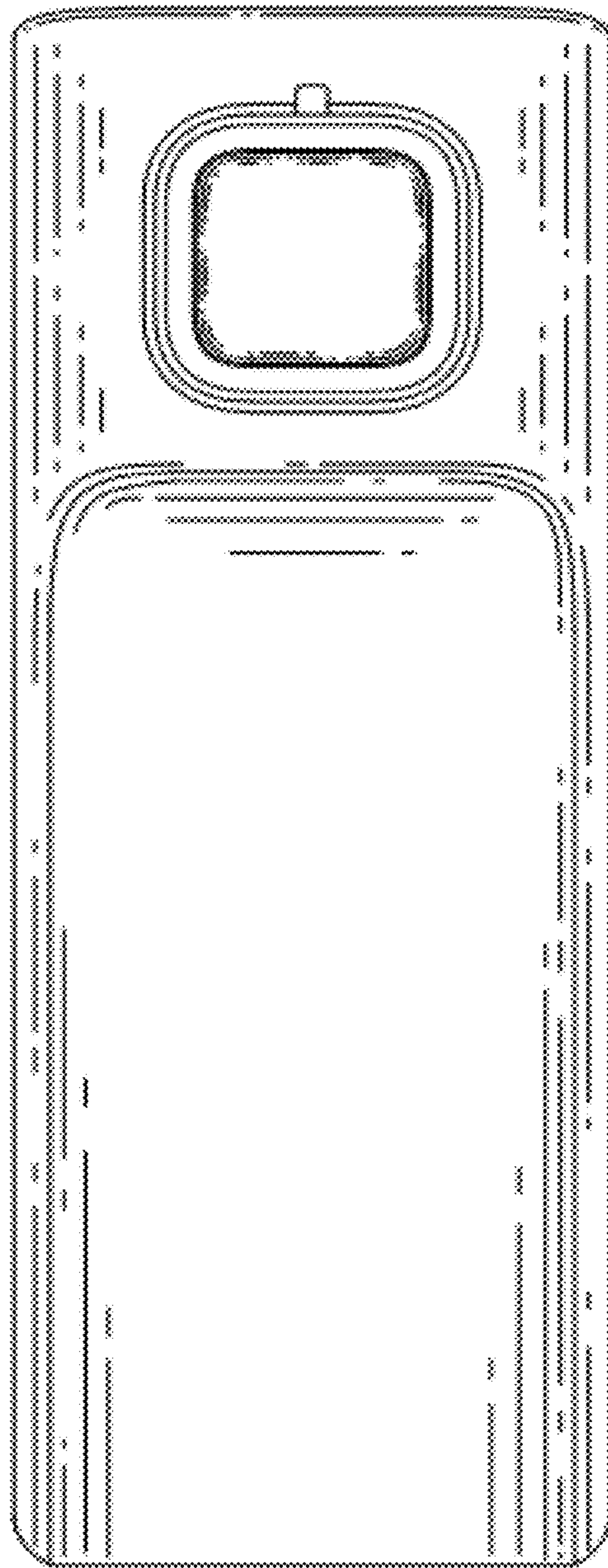


FIG. 2

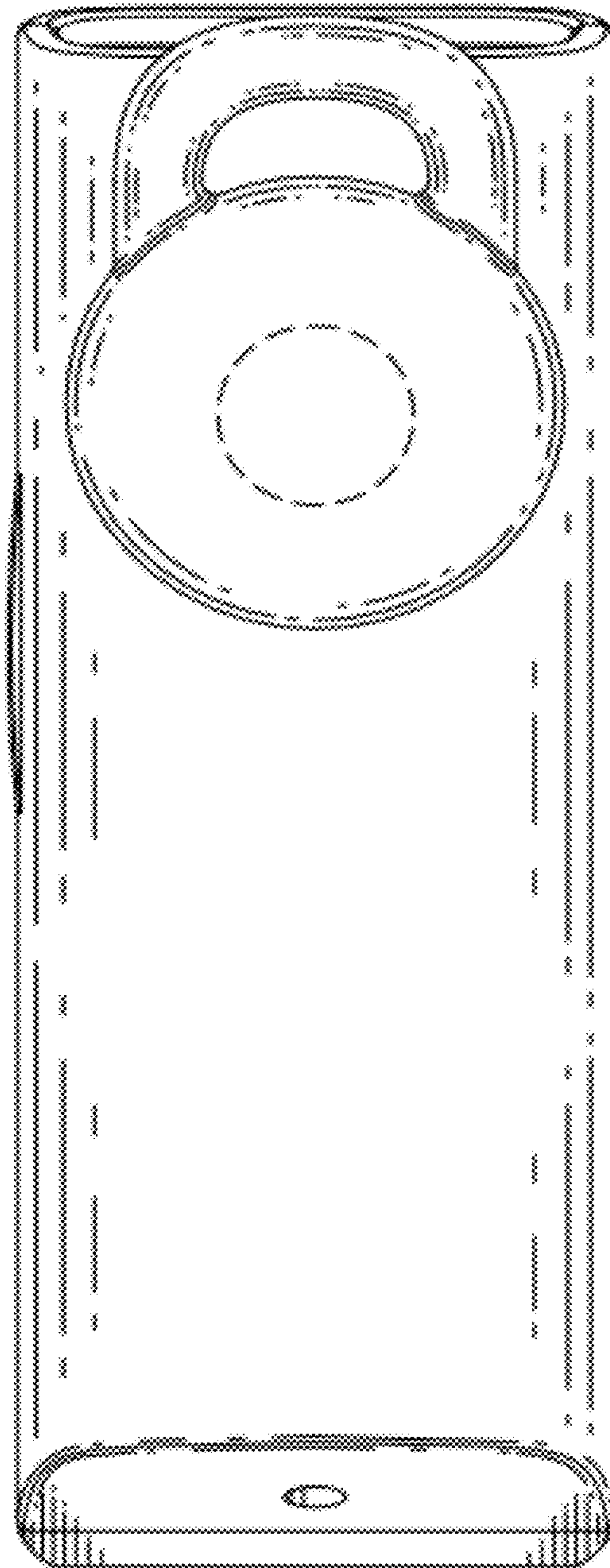


FIG. 3

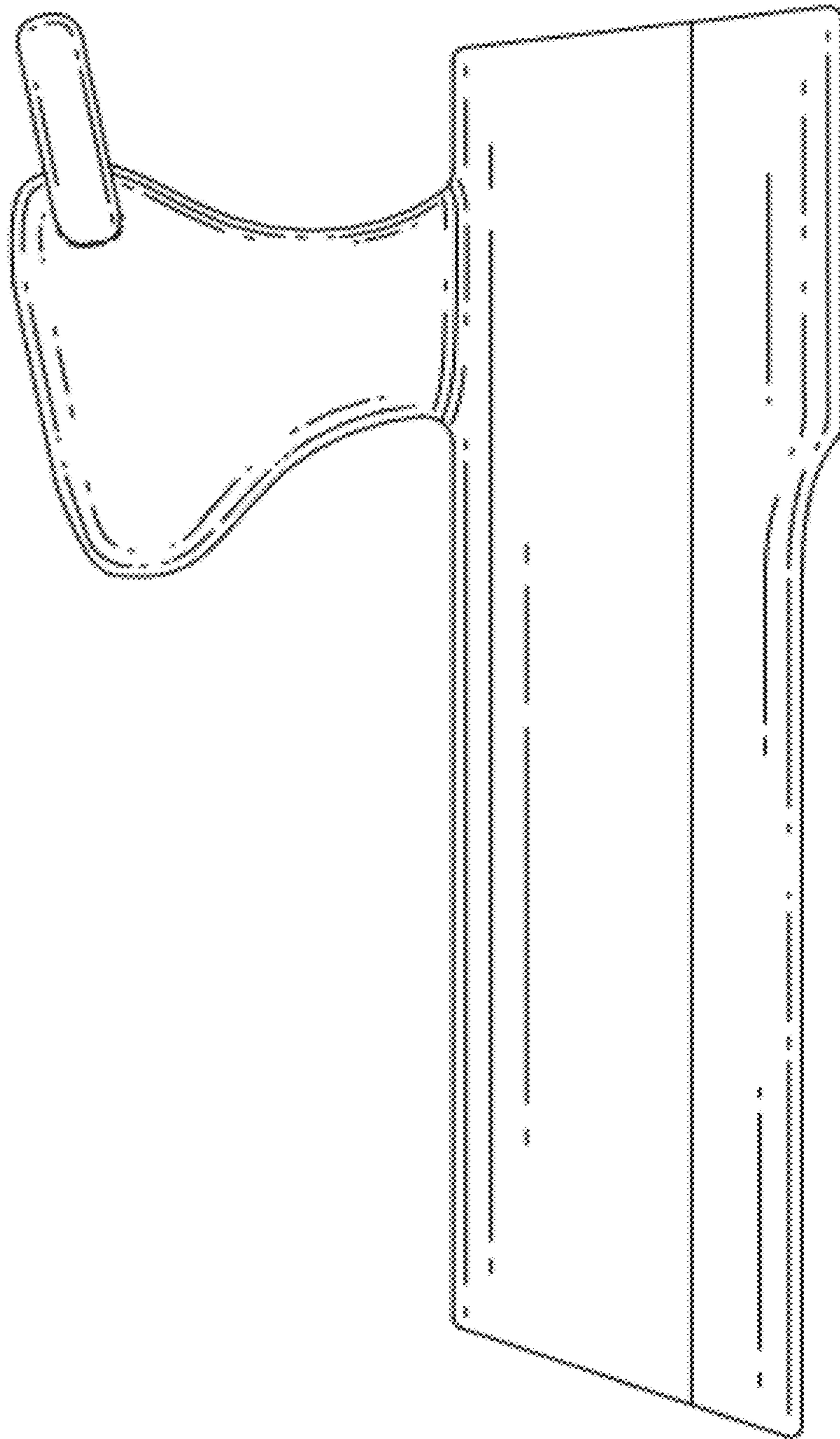


FIG. 4

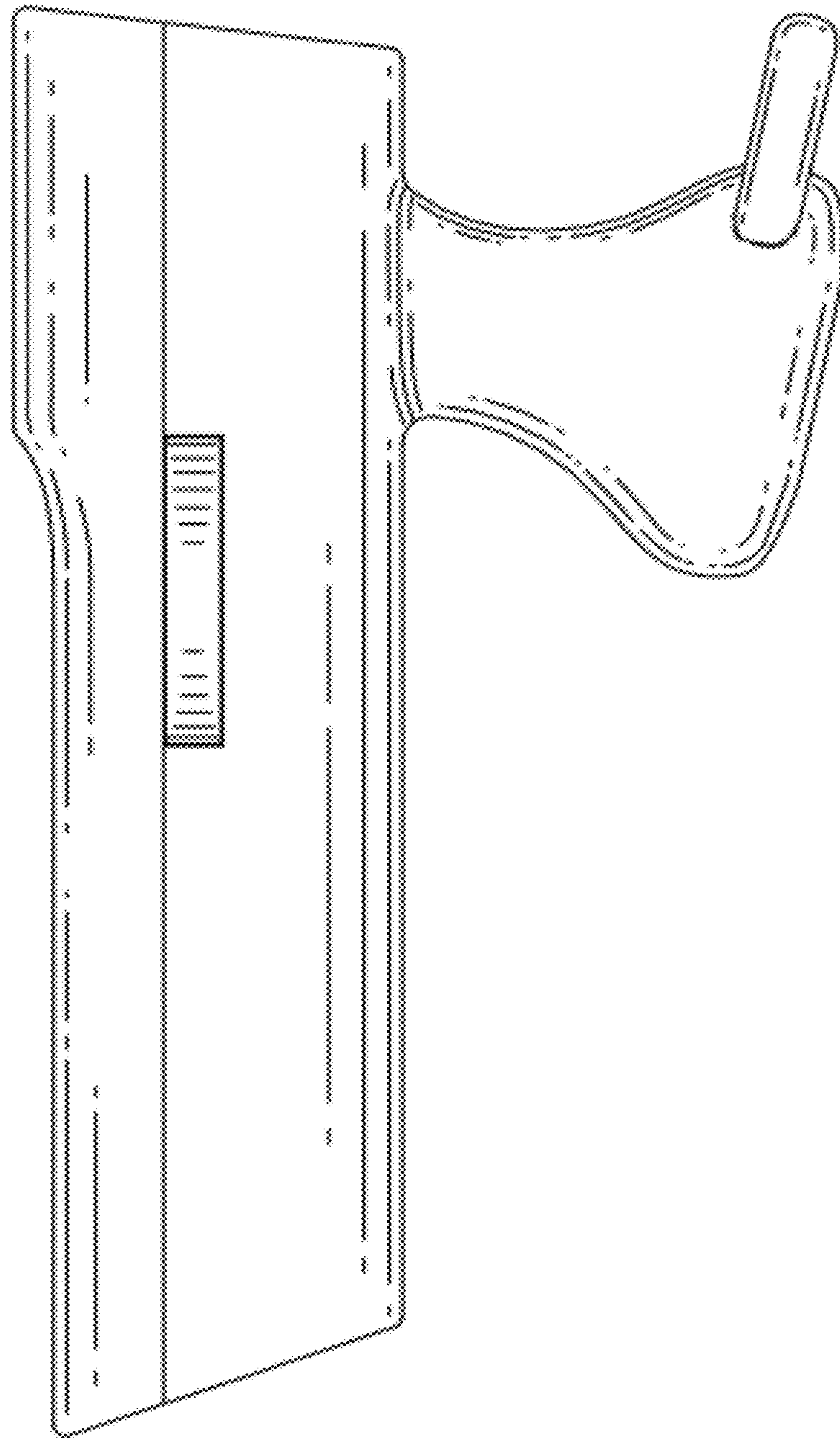


FIG. 5

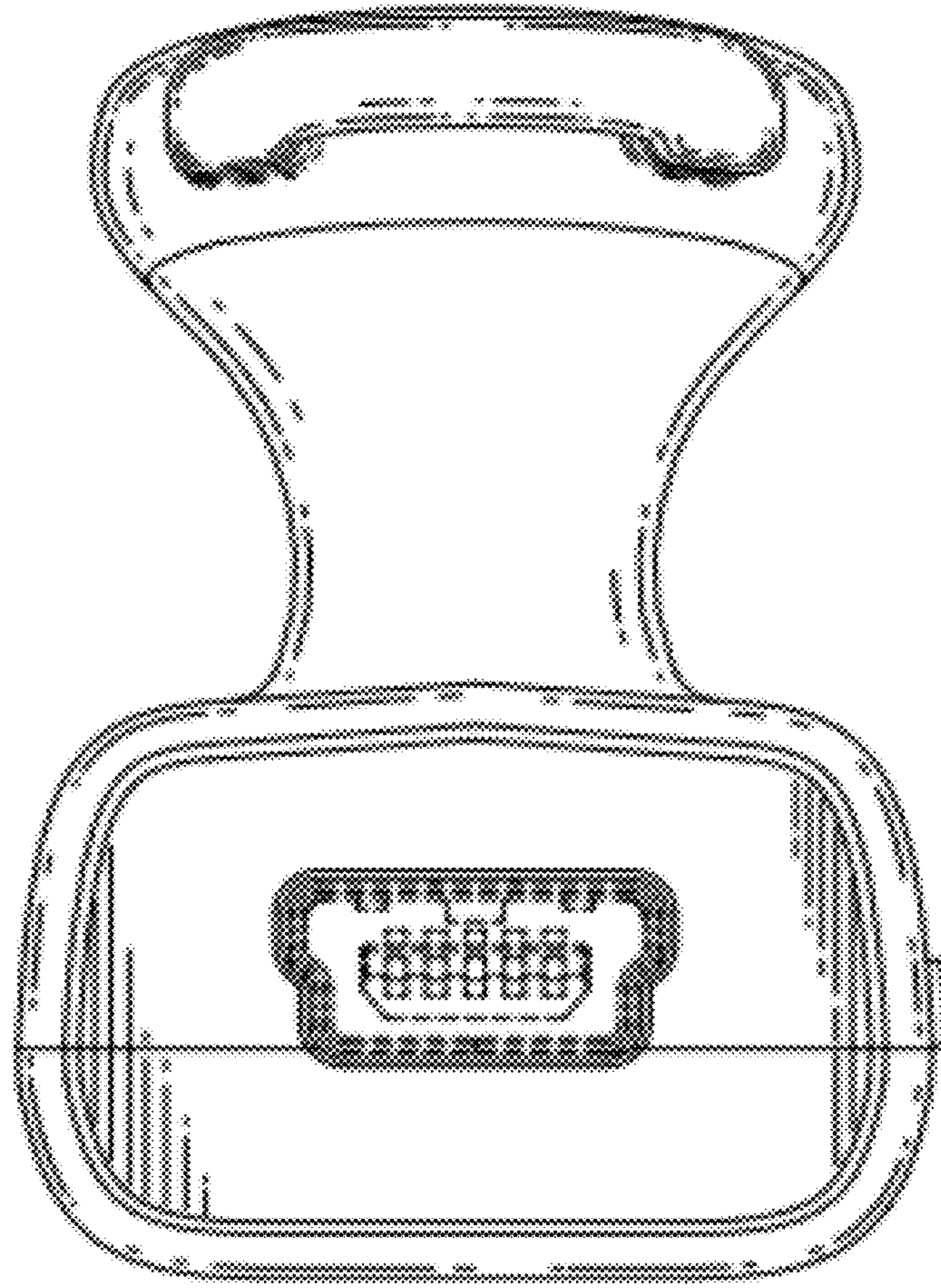


FIG. 6

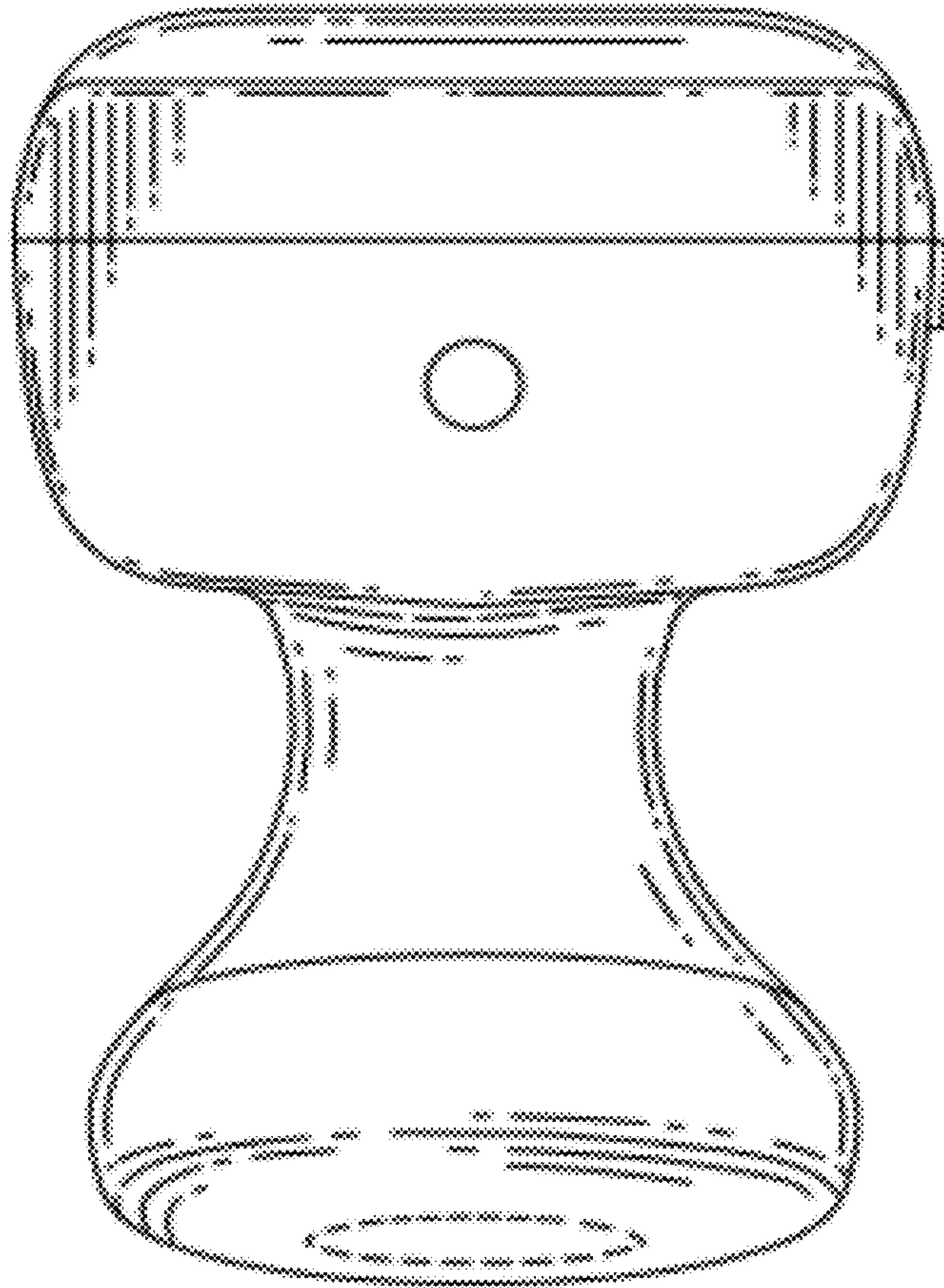


FIG. 7

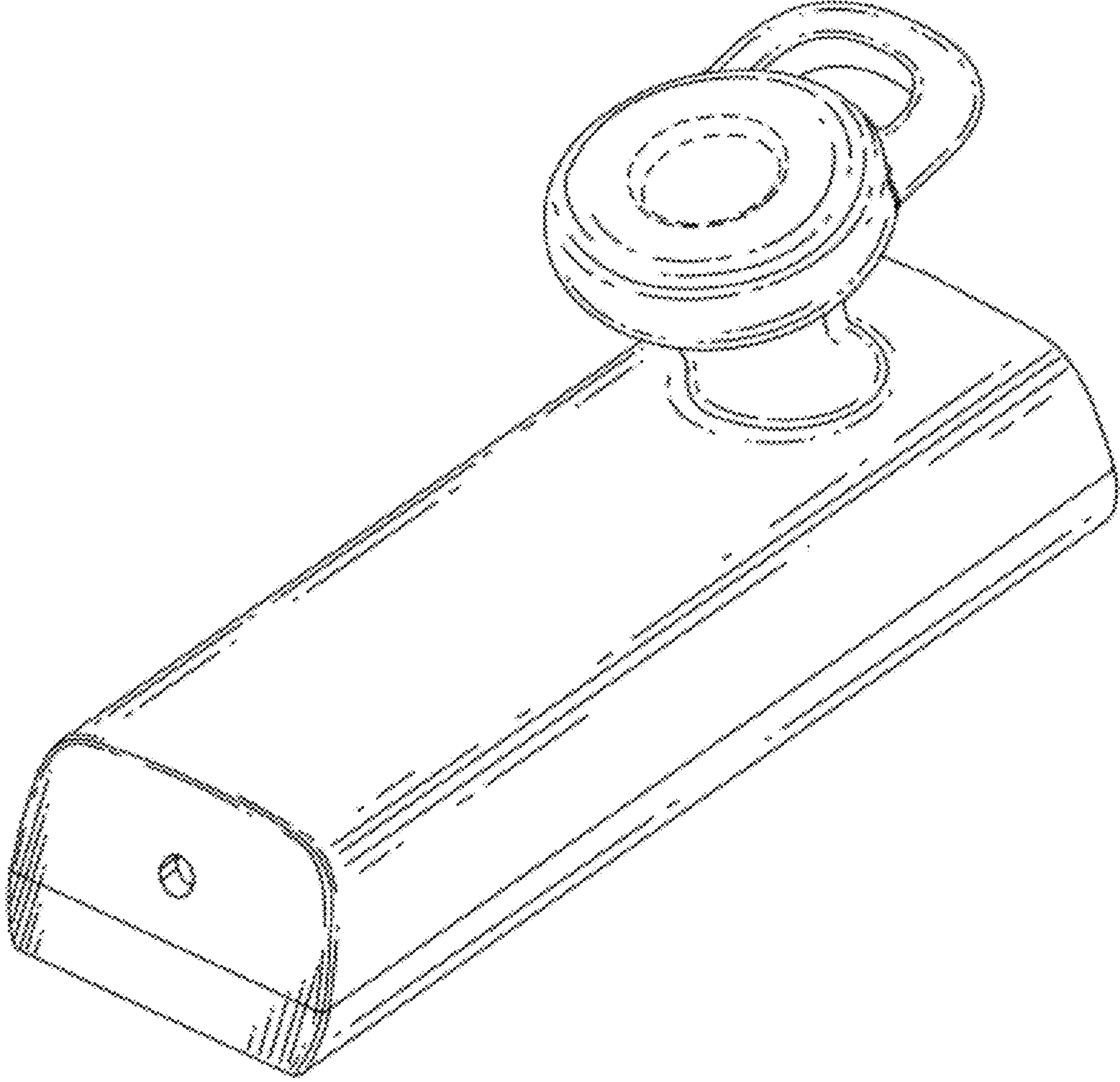


FIG. 8