



US00D664521S

(12) **United States Design Patent**
VanDuyn et al.

(10) **Patent No.:** **US D664,521 S**
(45) **Date of Patent:** **** Jul. 31, 2012**

(54) **REMOTE-CONTROL DEVICE**

(75) Inventors: **Luke VanDuyn**, Highlands Ranch, CO (US); **Neil Marten**, Denver, CO (US)

(73) Assignee: **EchoStar Technologies L.L.C.**, Englewood, CO (US)

(**) Term: **14 Years**

(21) Appl. No.: **29/365,689**

(22) Filed: **Jul. 13, 2010**

(51) **LOC (9) Cl.** **14-03**

(52) **U.S. Cl.** **D14/218**

(58) **Field of Classification Search** D14/174,
D14/137-139, 151, 217, 218, 191-193, 167,
D14/299, 168, 247, 455, 456; D13/168,
D13/162-164; D21/512-517, 566; D10/104,
D10/106; 345/169; 348/114, 734; 455/352-355,
455/151.1-151.4, 128, 347, 90.3

See application file for complete search history.

(56) **References Cited**

U.S. PATENT DOCUMENTS

D331,760	S	*	12/1992	Renk, Jr.	D14/218
D342,259	S	*	12/1993	Darbee et al.	D14/218
D361,058	S	*	8/1995	Domel et al.	D13/168
D366,043	S	*	1/1996	Hara et al.	D14/218
D366,044	S	*	1/1996	Hara et al.	D14/218
D389,838	S	*	1/1998	Brunner et al.	D14/218
D418,820	S	*	1/2000	Shintani et al.	D13/168
6,094,156	A		7/2000	Henty		
D477,590	S	*	7/2003	Ahn	D14/218
D504,886	S	*	5/2005	Yasutomi	D14/218
D532,777	S	*	11/2006	Yu et al.	D14/218
D543,971	S	*	6/2007	d'Hoore	D14/218
D549,666	S	*	8/2007	Tan et al.	D13/168
D551,659	S	*	9/2007	Shih et al.	D14/218
D565,555	S	*	4/2008	Goto	D14/218

D568,299	S	*	5/2008	Tuli	D14/218
D571,790	S	*	6/2008	Yoshitake et al.	D14/218
D577,721	S	*	9/2008	O'Neil	D14/358
D585,052	S	*	1/2009	Mamane et al.	D14/218
D589,496	S	*	3/2009	Legrand	D14/218
D602,473	S	*	10/2009	Moller et al.	D14/218
D606,520	S	*	12/2009	McRae et al.	D14/218
D609,222	S	*	2/2010	Shin	D14/218
D611,456	S	*	3/2010	Lin	D14/218
D612,365	S	*	3/2010	Lin	D14/218
D613,272	S	*	4/2010	Painter	D14/218
D618,666	S	*	6/2010	Shin et al.	D14/218
2005/0162569	A1		7/2005	Fairhurst et al.		
2006/0232550	A1		10/2006	Buckner		

* cited by examiner

Primary Examiner — John Windmuller

(74) *Attorney, Agent, or Firm* — Seed IP Law Group PLLC

(57) **CLAIM**

The ornamental design for a remote-control device, as shown and described.

DESCRIPTION

FIG. 1 is a top perspective view of an example embodiment of a remote-control device showing our new design.

FIG. 2 is a bottom perspective view of thereof.

FIG. 3 is a side view of thereof.

FIG. 4 is a top plan view thereof.

FIG. 5 is a second side view thereof.

FIG. 6 is a bottom plan view thereof.

FIG. 7 is a top end view thereof.

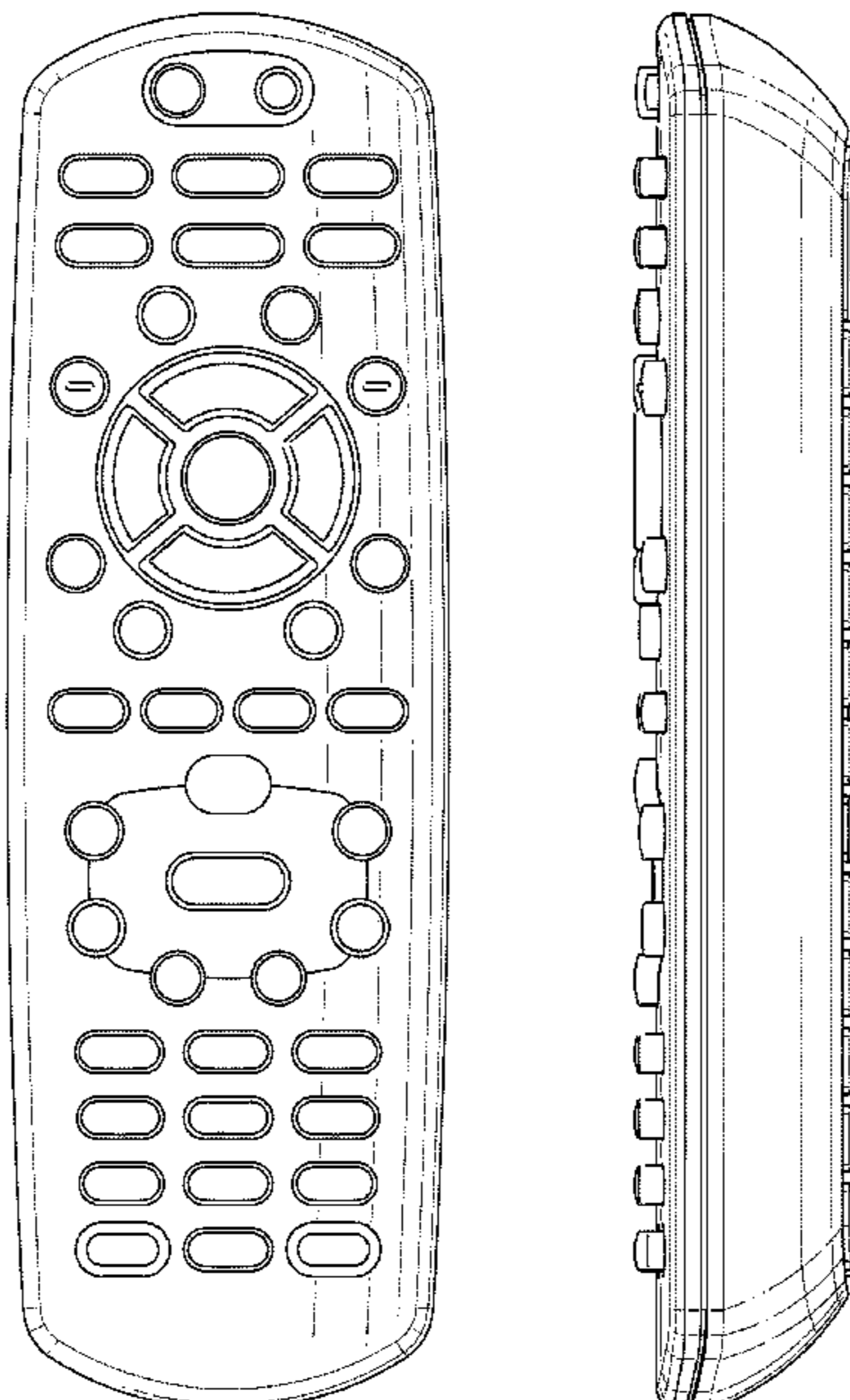
FIG. 8 is a bottom end view thereof.

FIG. 9 is a top perspective view of another example embodiment of a remote-control device showing our new design; and,

FIG. 10 is a side view of thereof.

The broken lines in the figures are for illustrative purposes only and form no part of the claimed design.

1 Claim, 7 Drawing Sheets



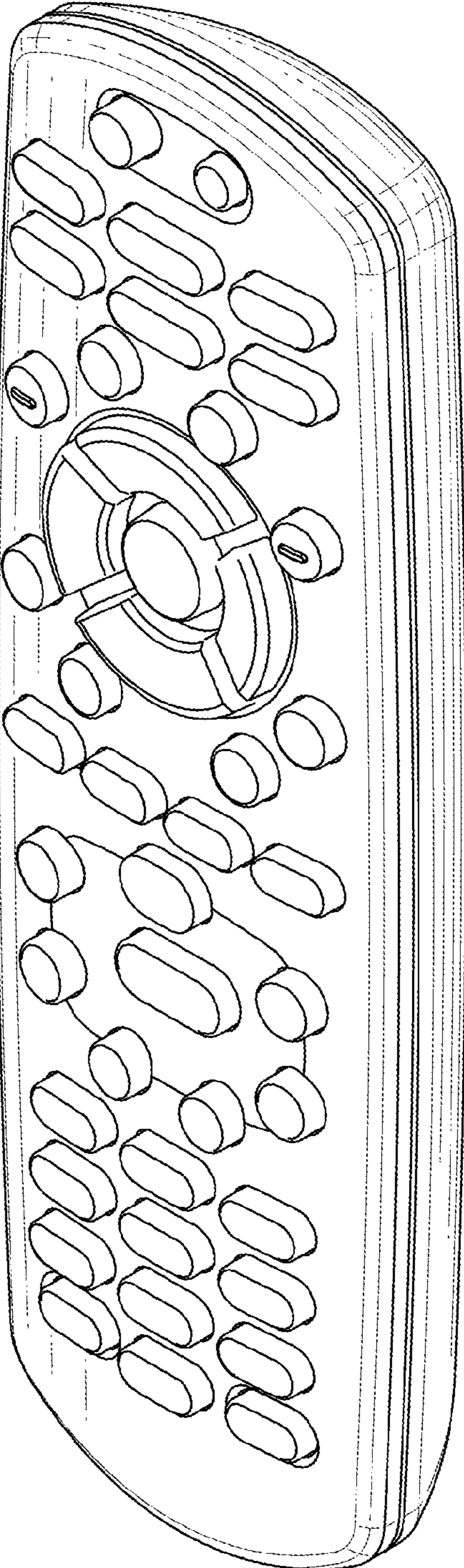


FIG. 1

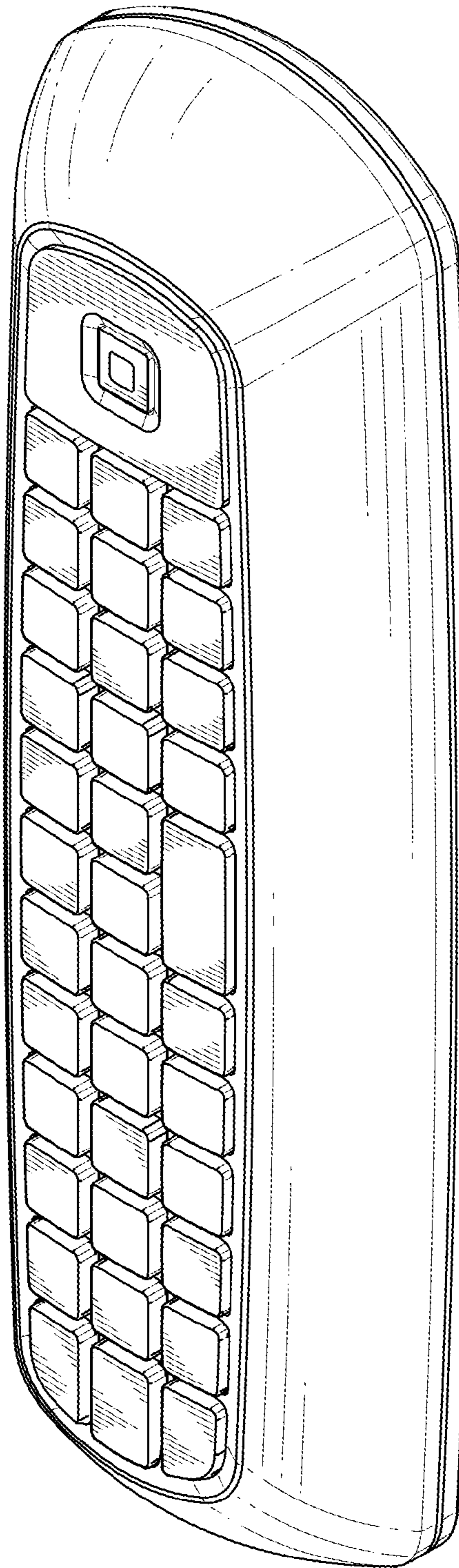


FIG. 2

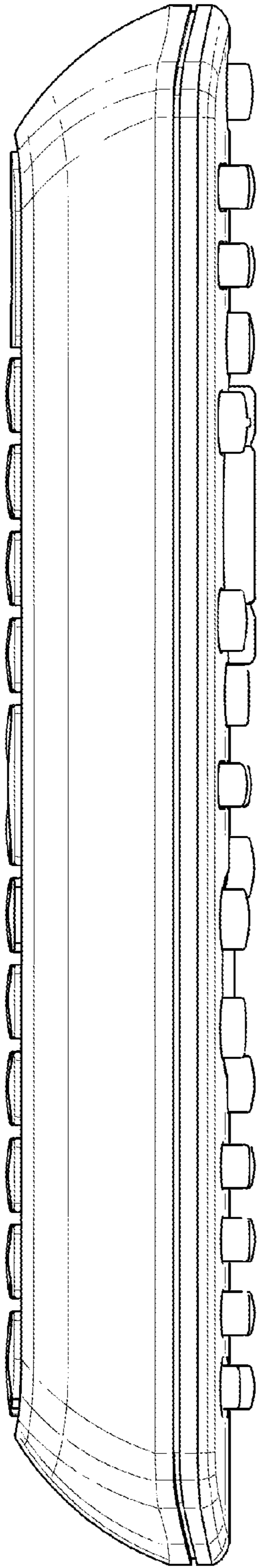


FIG. 3

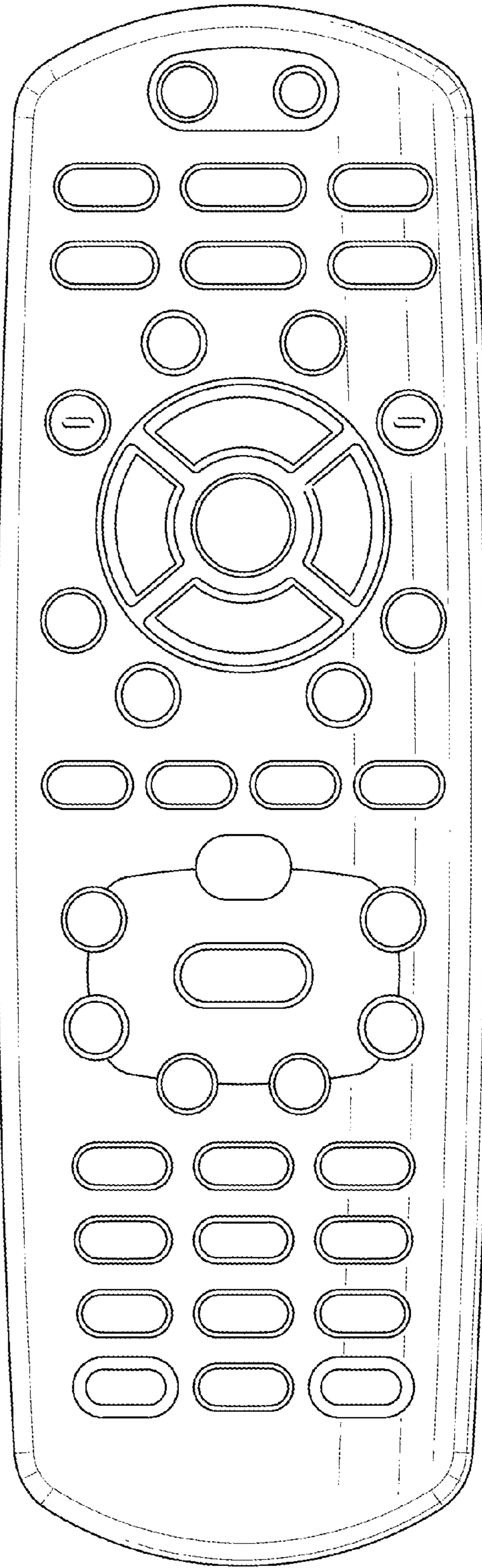


FIG. 4

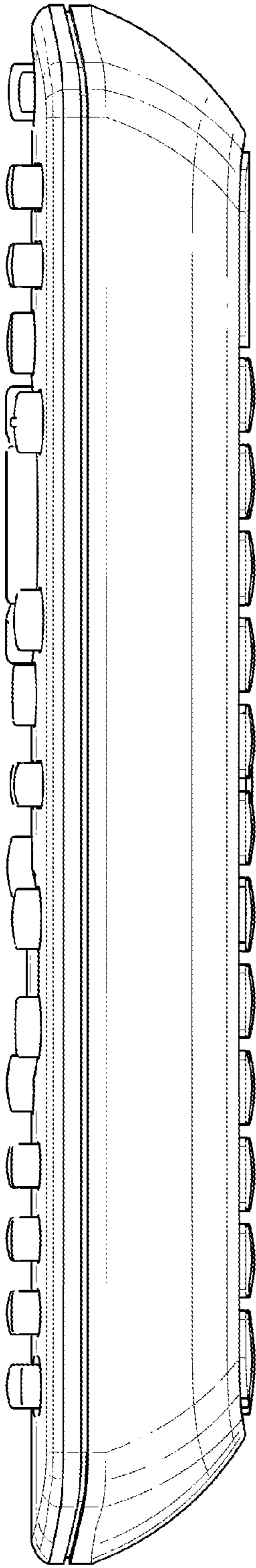


FIG. 5

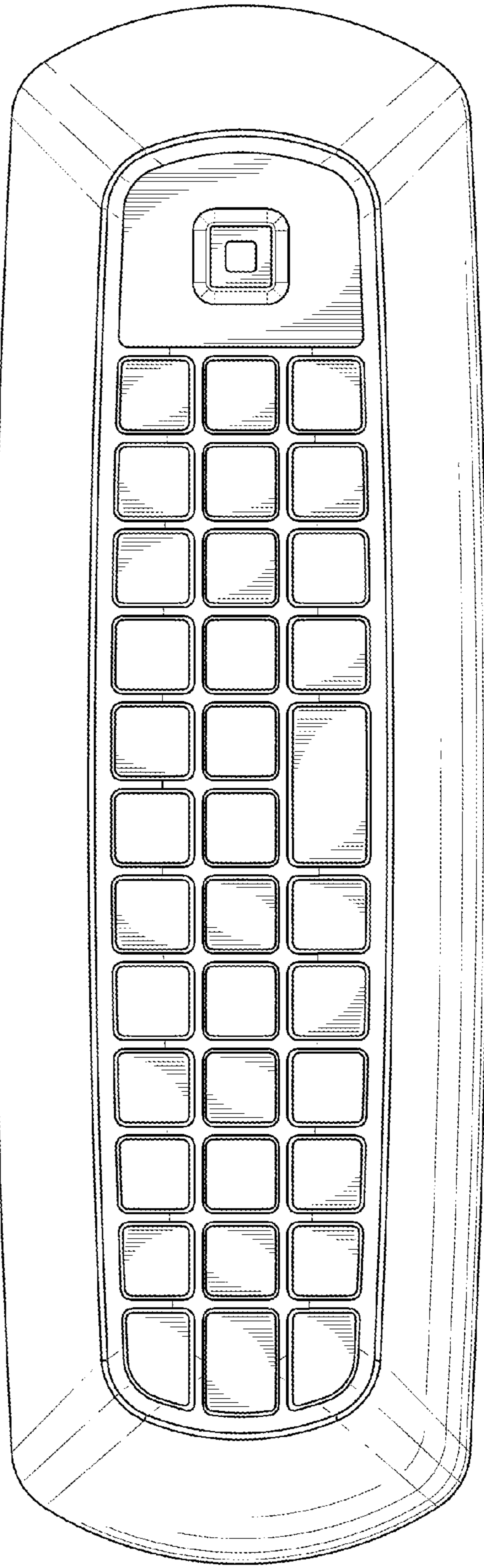


FIG. 6

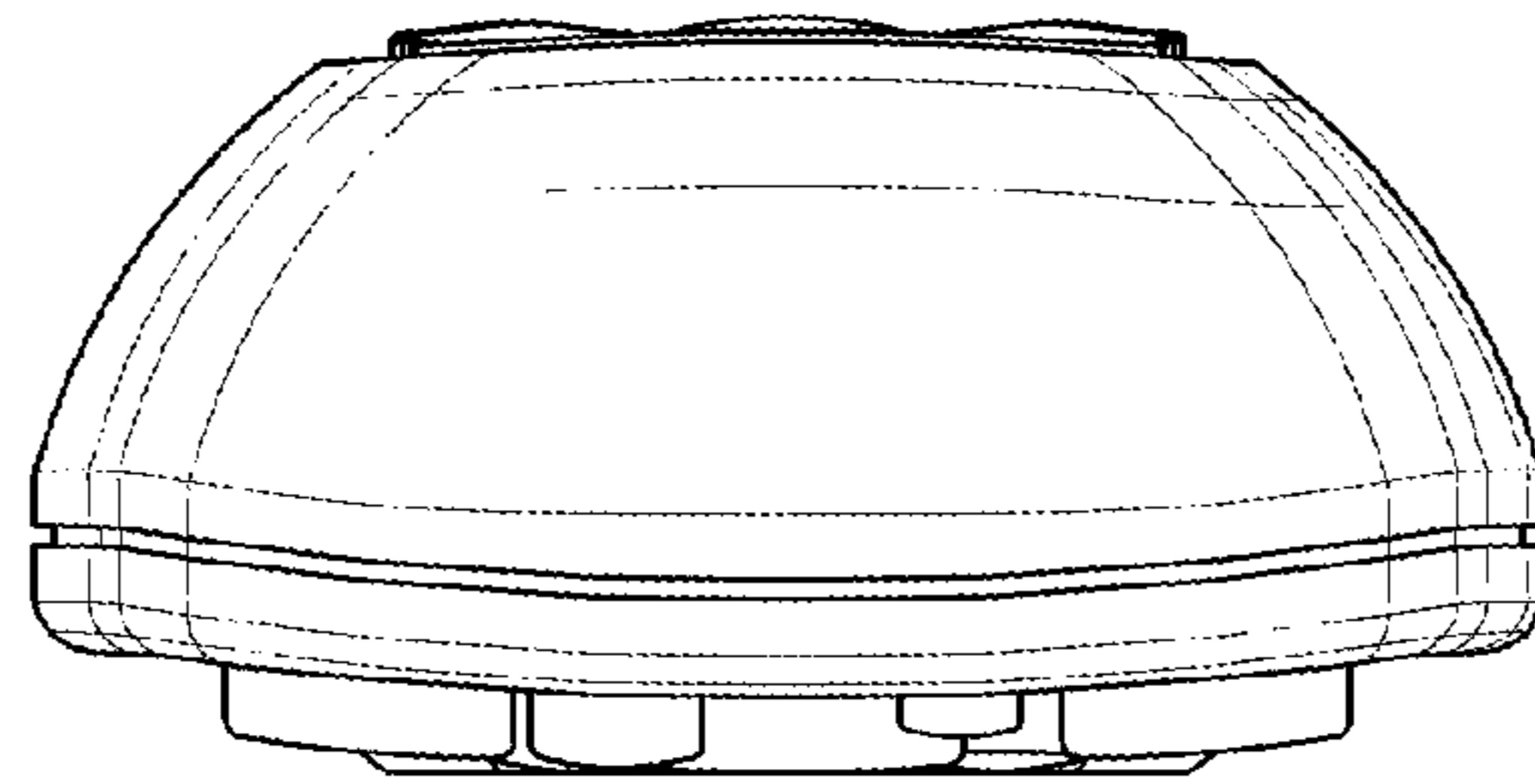


FIG. 7

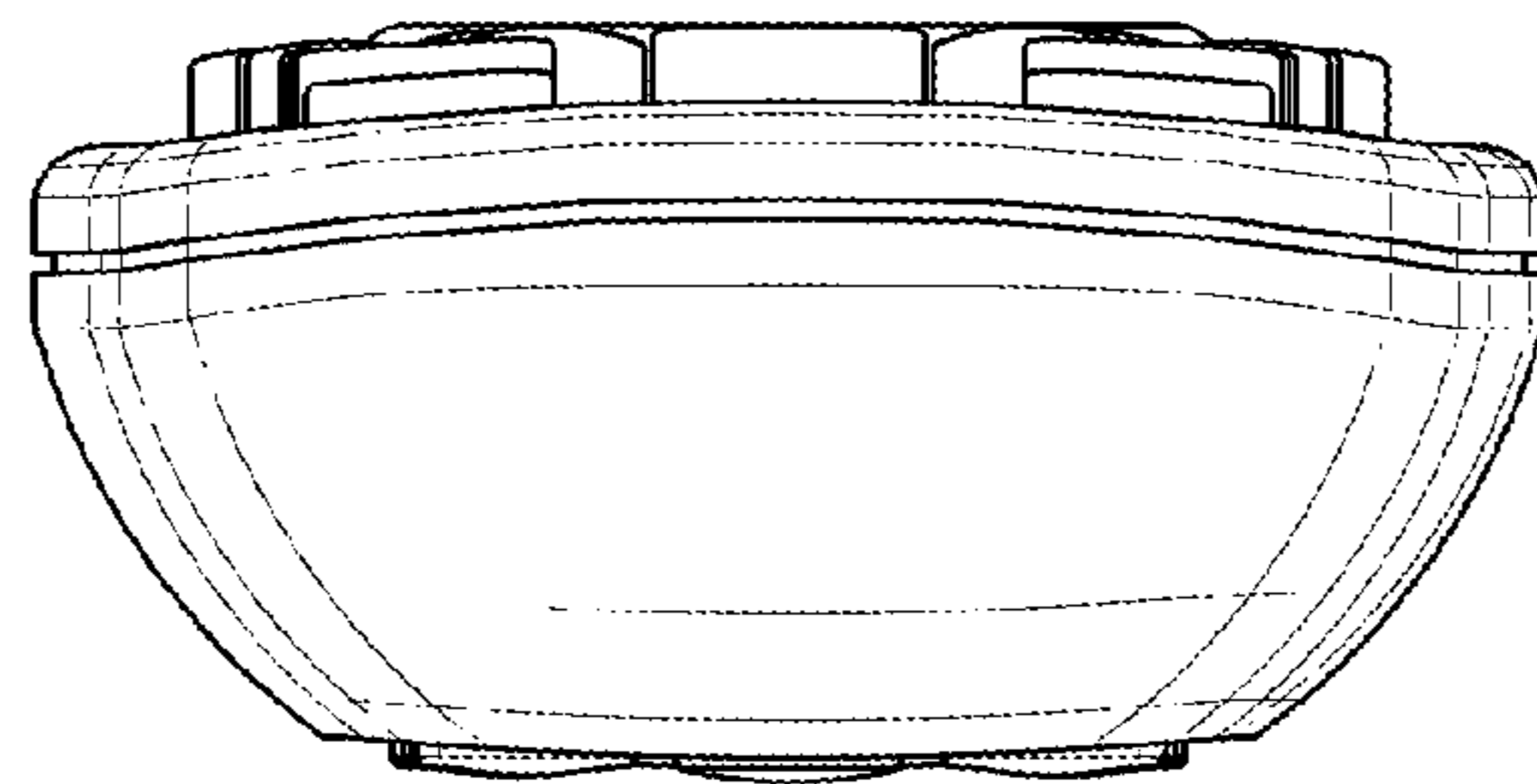


FIG. 8

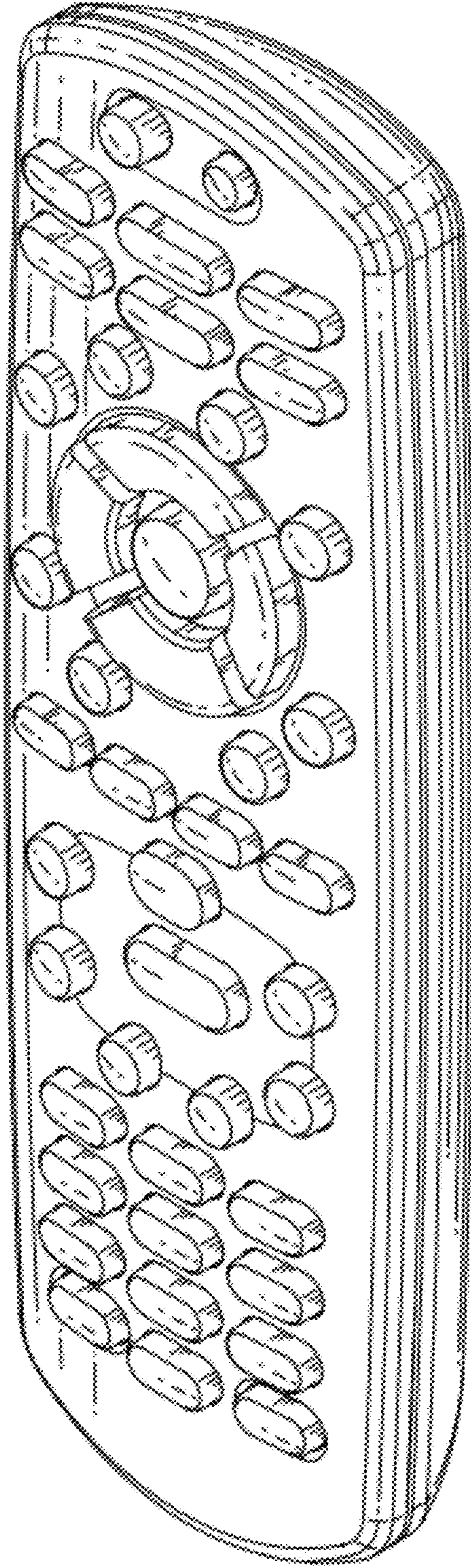


FIG. 9

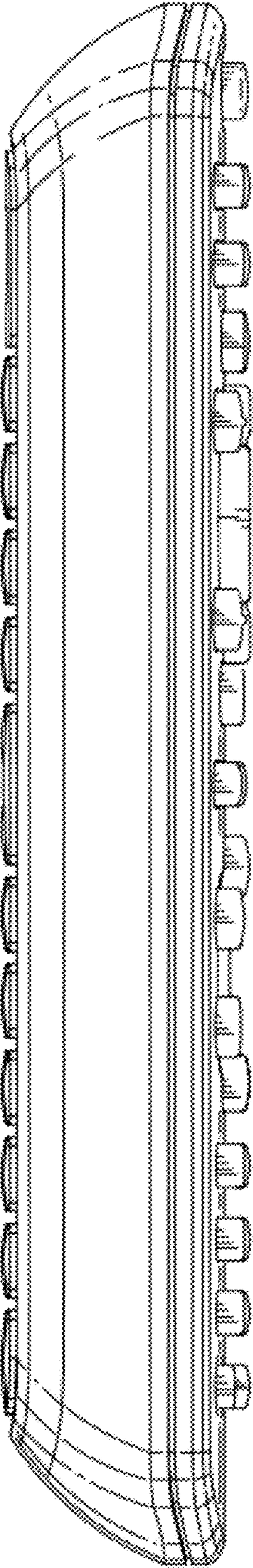


FIG. 10