

US00D664520S

(12) **United States Design Patent**
Shadovitz et al.

(10) **Patent No.:** **US D664,520 S**
(45) **Date of Patent:** **** Jul. 31, 2012**

(54) **TELEPHONE BASE UNIT**
(75) Inventors: **Michael Shadovitz**, Fukuoka (JP);
Toshiya Moriyama, Fukuoka (JP)
(73) Assignee: **Panasonic Corporation**, Osaka (JP)
(**) Term: **14 Years**
(21) Appl. No.: **29/396,706**
(22) Filed: **Jul. 6, 2011**

D439,231 S * 3/2001 Song D14/144
D451,486 S 12/2001 Sekiguchi
D457,870 S 5/2002 Toyoshima et al.
D460,954 S 7/2002 Shen et al.
D461,462 S 8/2002 Shen et al.
D472,540 S 4/2003 Katou
D482,342 S 11/2003 Weidinger
D489,049 S 4/2004 Weidinger
D499,078 S * 11/2004 Abe et al. D14/151
D499,713 S 12/2004 Shibata et al.
D500,482 S 1/2005 Shibata et al.
D502,163 S * 2/2005 Pelletier D14/151

(Continued)

(51) **LOC (9) Cl.** **14-03**
(52) **U.S. Cl.** **D14/150**
(58) **Field of Classification Search** D14/130,
D14/138 R, 140, 140.1, 142, 144-145, 147-151,
D14/158-159, 168, 240, 242, 243, 496, 217,
D14/329-330, 434, 466-467, 251-253; 379/387.01,
379/388.02, 420.02, 447, 453, 434; 381/16;
D21/517; 455/351; D13/108
See application file for complete search history.

OTHER PUBLICATIONS

Uniden 1380BK Corded Phone, <URL:http://udn.factoryoutletstore.com/details/16065-13589/1380BK.html>, retrieved from internet on Feb. 19, 2012.*

(Continued)

Primary Examiner — Carla Wright
(74) *Attorney, Agent, or Firm* — Brinks Hofer Gilson & Lione

(56) **References Cited**

U.S. PATENT DOCUMENTS

D297,137 S * 8/1988 Richter et al. D14/151
D298,132 S * 10/1988 Hickling D14/150
D313,235 S * 12/1990 Kido et al. D14/151
D321,874 S 11/1991 Ando
D345,358 S * 3/1994 Hillenmayer et al. D14/151
D351,166 S * 10/1994 Wan D14/151
5,369,700 A * 11/1994 Koura et al. 379/165
D365,821 S * 1/1996 Bales et al. D14/149
D368,091 S 3/1996 Yoshihiko et al.
D375,094 S * 10/1996 Toh D14/151
D381,981 S * 8/1997 Johansson D14/151
D389,145 S 1/1998 Yoneyama
D394,259 S 5/1998 Langlois
D398,302 S * 9/1998 Lio D14/130
D403,322 S * 12/1998 Umezu et al. D14/150
D410,005 S * 5/1999 Landry et al. D14/151
D412,171 S 7/1999 Girardi et al.
D418,488 S * 1/2000 NG et al. D14/329
D420,405 S * 2/2000 Plain et al. D21/517
D421,264 S 2/2000 Nogas
D427,985 S 7/2000 Takayama et al.

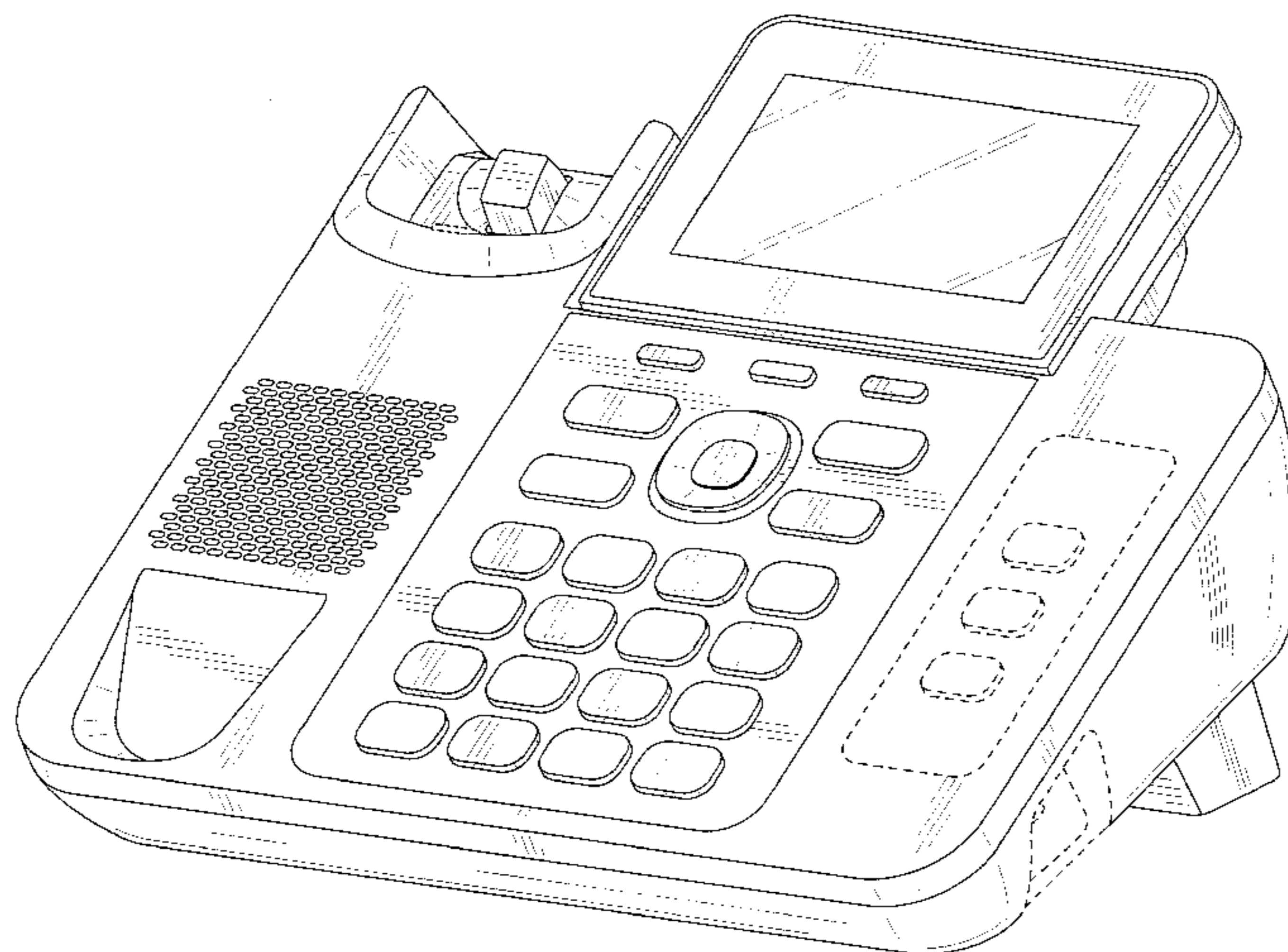
(57) **CLAIM**

We claim the ornamental design for a telephone base unit, as shown and described.

DESCRIPTION

FIG. 1 is a front perspective view of a telephone base unit of the present invention;
FIG. 2 is a front view thereof;
FIG. 3 is a rear view thereof;
FIG. 4 is a first side view thereof;
FIG. 5 is a second side view thereof;
FIG. 6 is a top view thereof;
FIG. 7 is a bottom view thereof; and,
FIG. 8 is a front perspective view thereof shown in an environmental use.
In the drawings, the broken lines indicate portions of the telephone base unit that form no part of the claimed design.

1 Claim, 8 Drawing Sheets



US D664,520 S

Page 2

U.S. PATENT DOCUMENTS

| | | | |
|--------------|---------|-------------------|---------------|
| D512,705 S | 12/2005 | Bhavnani | |
| D515,063 S | 2/2006 | Yanagisawa et al. | |
| D529,477 S | 10/2006 | Hsu | |
| D530,303 S | 10/2006 | Tang | |
| D530,701 S | 10/2006 | West et al. | |
| D534,512 S | 1/2007 | Kim | |
| D536,328 S | 2/2007 | Chou et al. | |
| D537,065 S | 2/2007 | Chen | |
| D550,195 S | 9/2007 | Ju | |
| D551,203 S | 9/2007 | Abe et al. | |
| D552,071 S | 10/2007 | Park et al. | |
| D552,588 S | 10/2007 | Park et al. | |
| D558,181 S | 12/2007 | Takada et al. | |
| D558,730 S * | 1/2008 | Nakashima | D14/151 |
| D562,304 S | 2/2008 | Takada et al. | |
| D572,701 S | 7/2008 | Tani | |
| D575,262 S | 8/2008 | Brown et al. | |
| D575,263 S | 8/2008 | Brown et al. | |
| D576,146 S | 9/2008 | Brown et al. | |
| D576,998 S | 9/2008 | Furuno | |
| D577,733 S | 9/2008 | Park et al. | |
| D579,460 S | 10/2008 | Park et al. | |
| D580,906 S | 11/2008 | Fuxen | |
| D581,897 S | 12/2008 | Katori | |
| D588,573 S | 3/2009 | West et al. | |
| D596,612 S | 7/2009 | Akatsu et al. | |
| D596,613 S | 7/2009 | Akatsu et al. | |
| D597,060 S | 7/2009 | Akatsu et al. | |
| D597,061 S | 7/2009 | Akatsu et al. | |
| D600,670 S | 9/2009 | Akatsu et al. | |
| D600,671 S | 9/2009 | Akatsu et al. | |
| D601,118 S | 9/2009 | Akatsu et al. | |
| D601,119 S | 9/2009 | Akatsu et al. | |
| D605,615 S | 12/2009 | Fuxen | |
| D609,212 S | 2/2010 | Turnbull et al. | |
| D611,031 S | 3/2010 | Lesniak et al. | |
| D617,766 S | 6/2010 | Katori et al. | |
| D621,381 S | 8/2010 | Akatsu et al. | |
| D629,381 S * | 12/2010 | Verthein et al. | D14/142 |

OTHER PUBLICATIONS

Review of Panasonic KX-TG9471B 2-Line posted on Jan. 18, 2012,
<URL:http://www.facebook.com/note.php?note_id=252785074791469>, retrieved from internet on Feb. 19, 2012.*

* cited by examiner

FIG.1

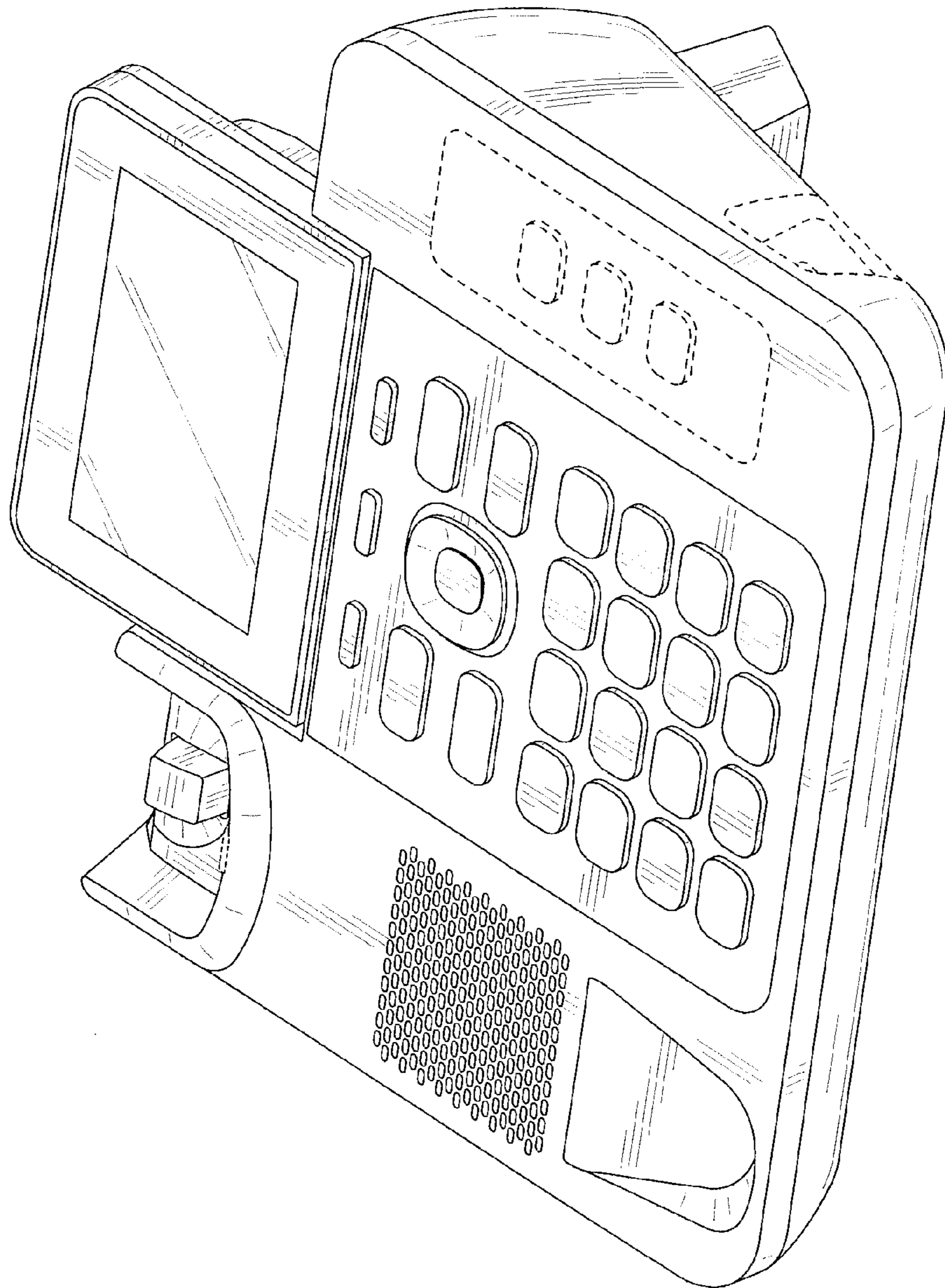


FIG.2

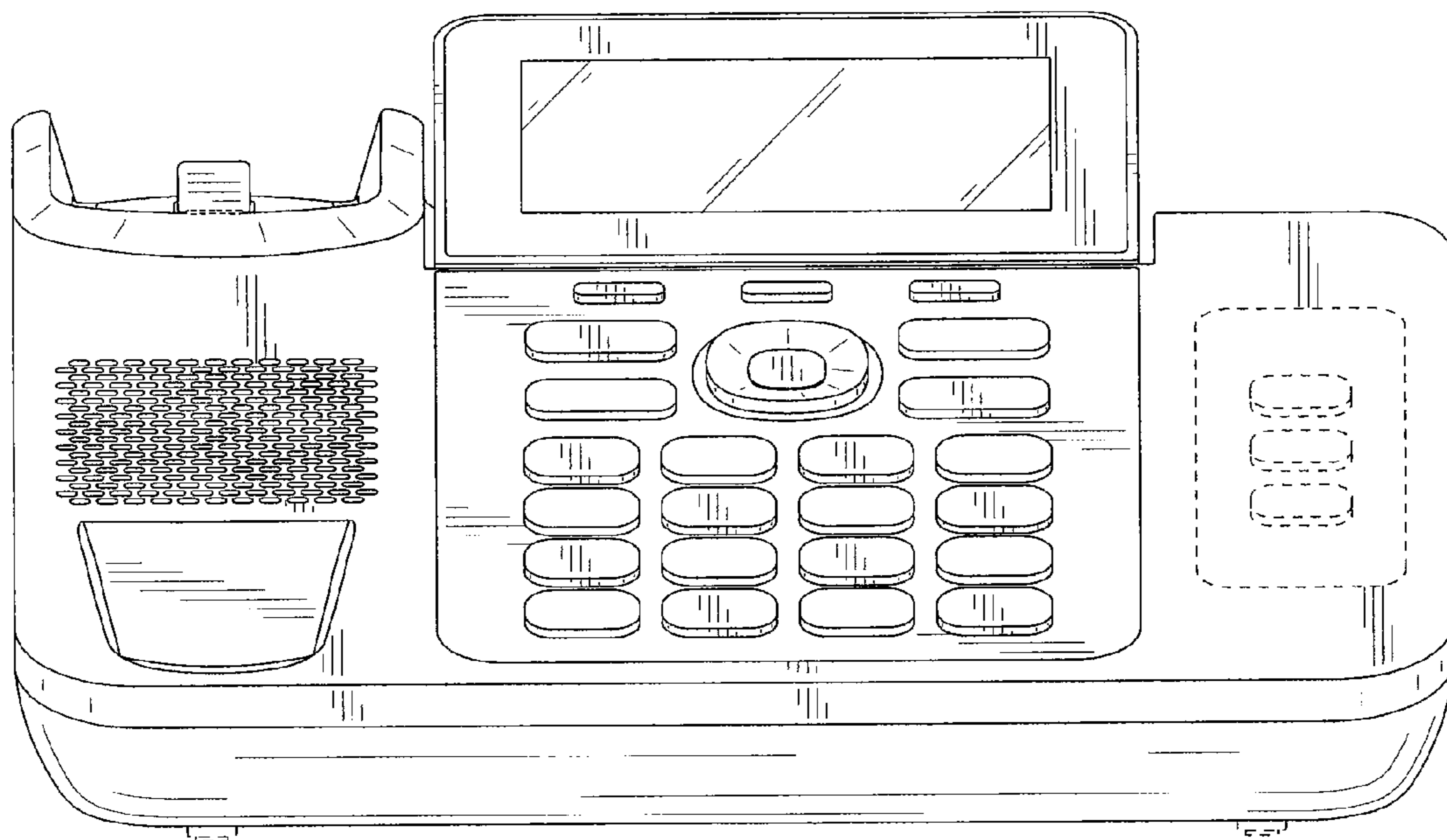


FIG.3

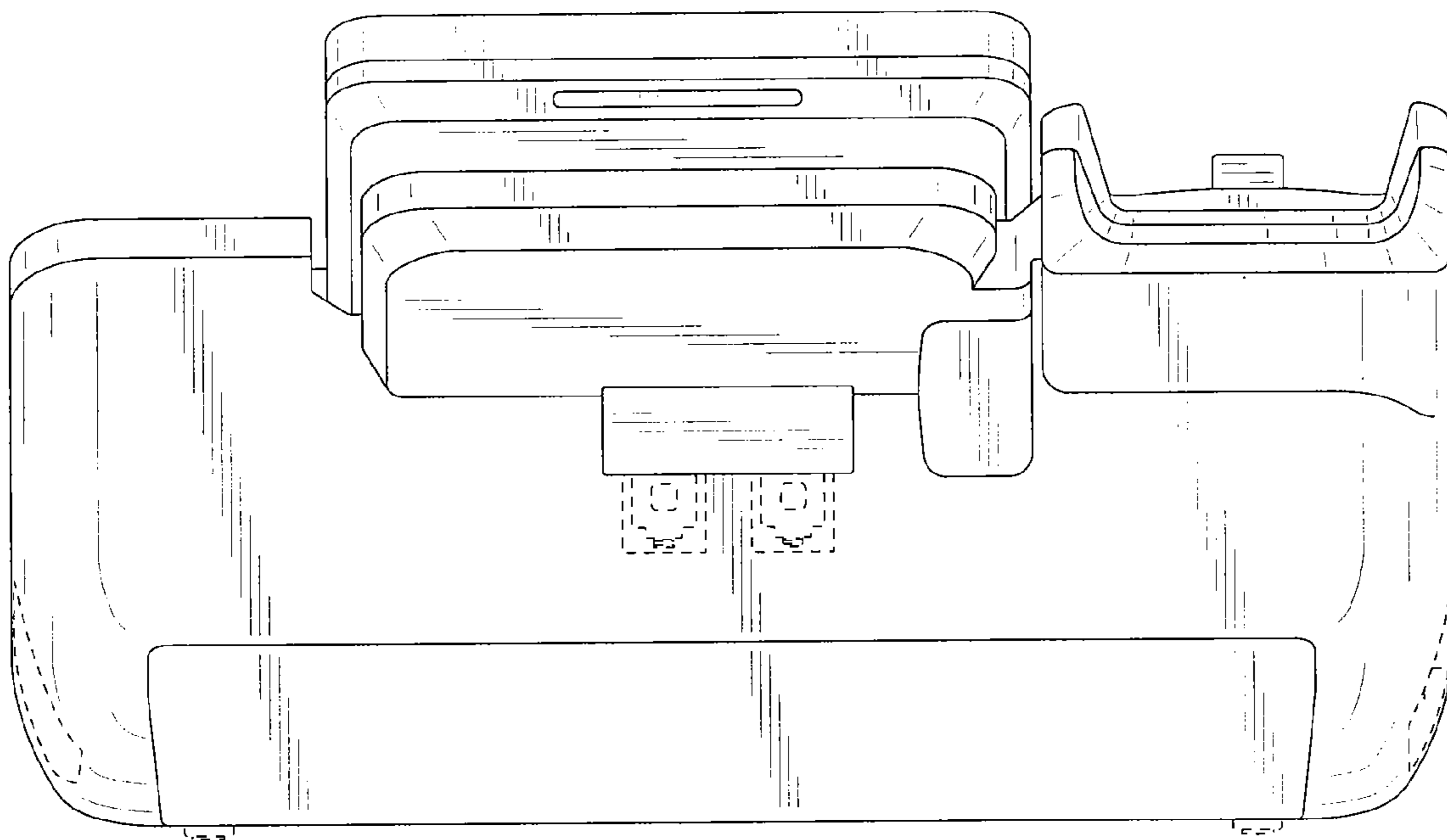


FIG.4

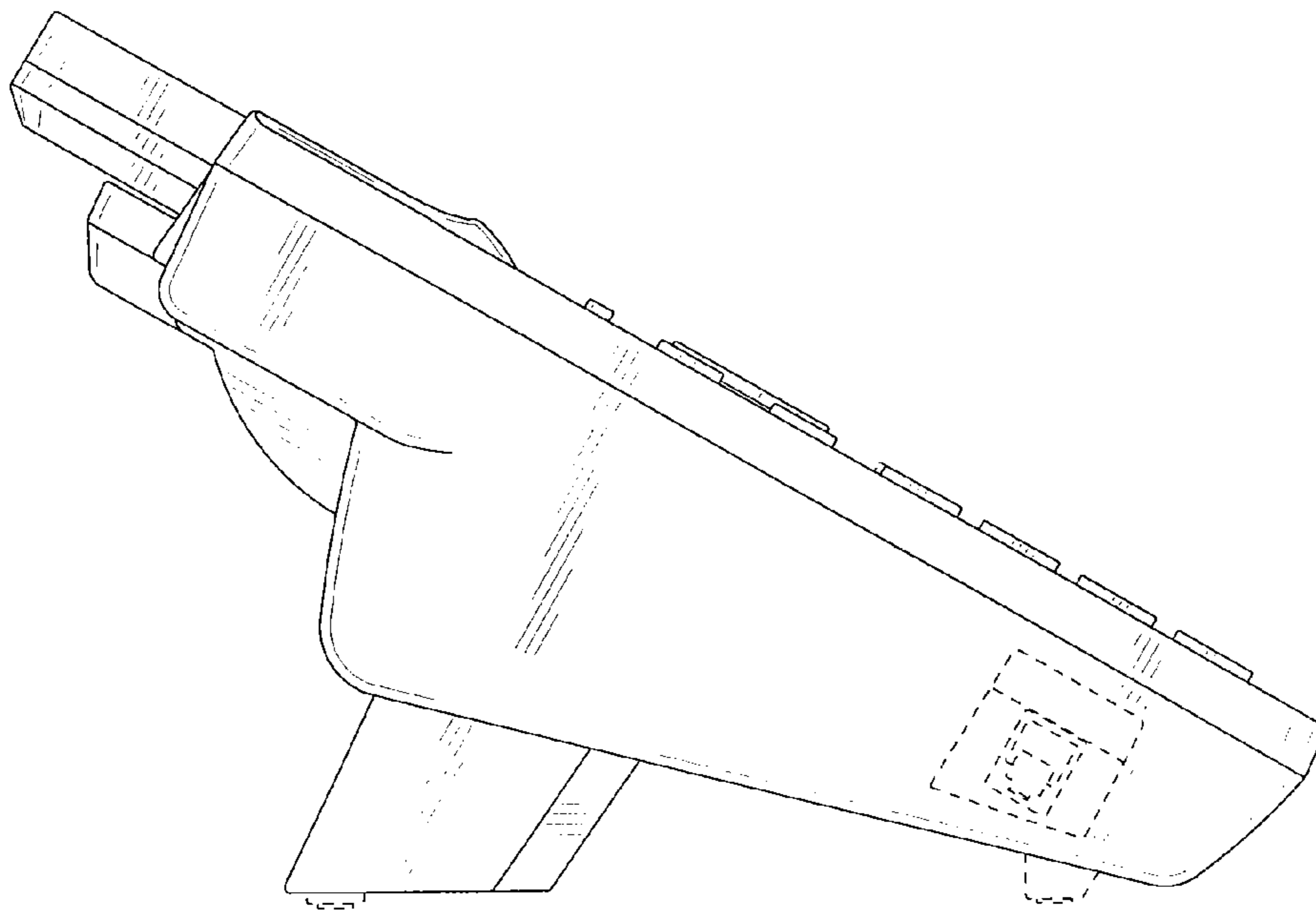


FIG.5

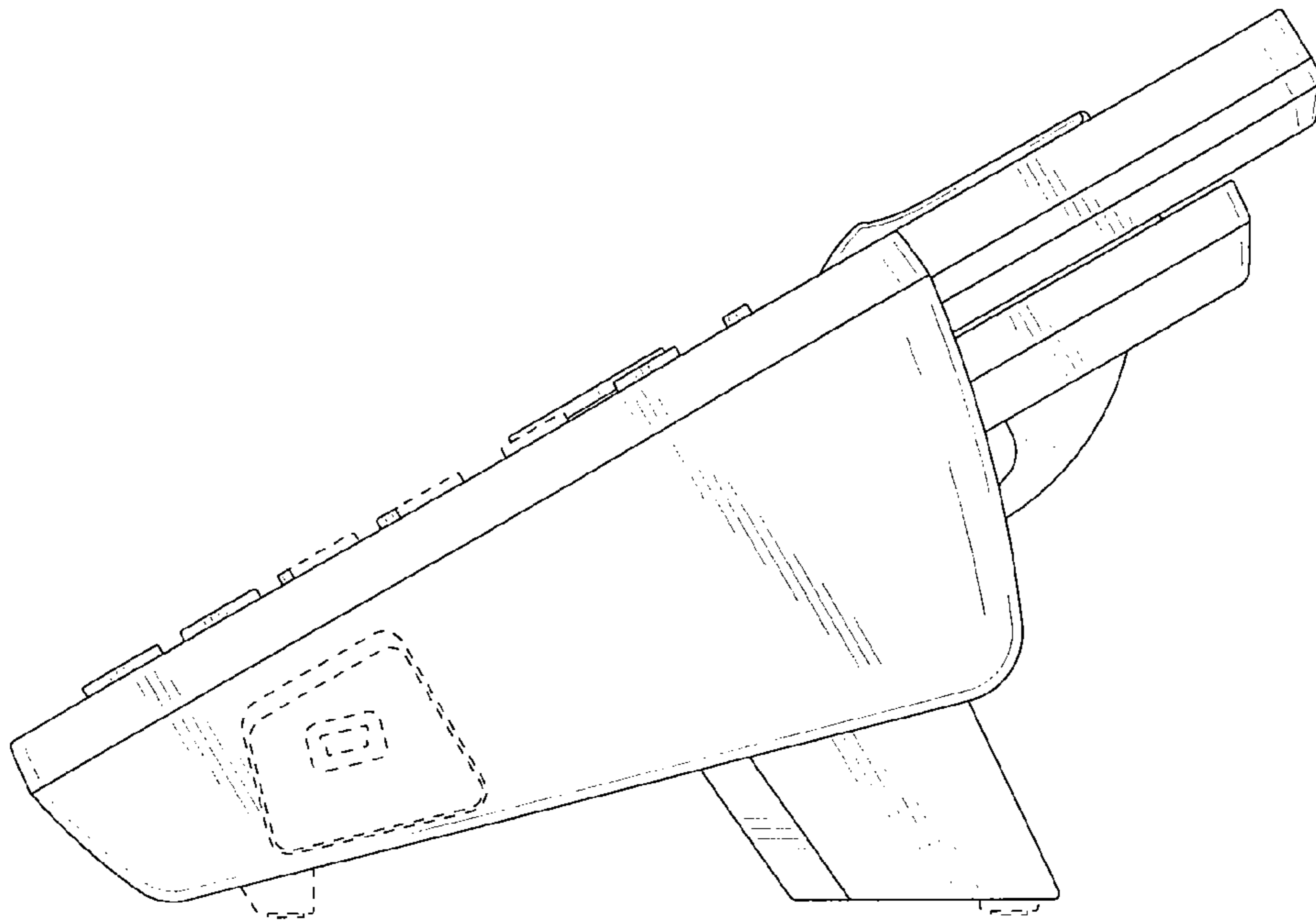


FIG.6

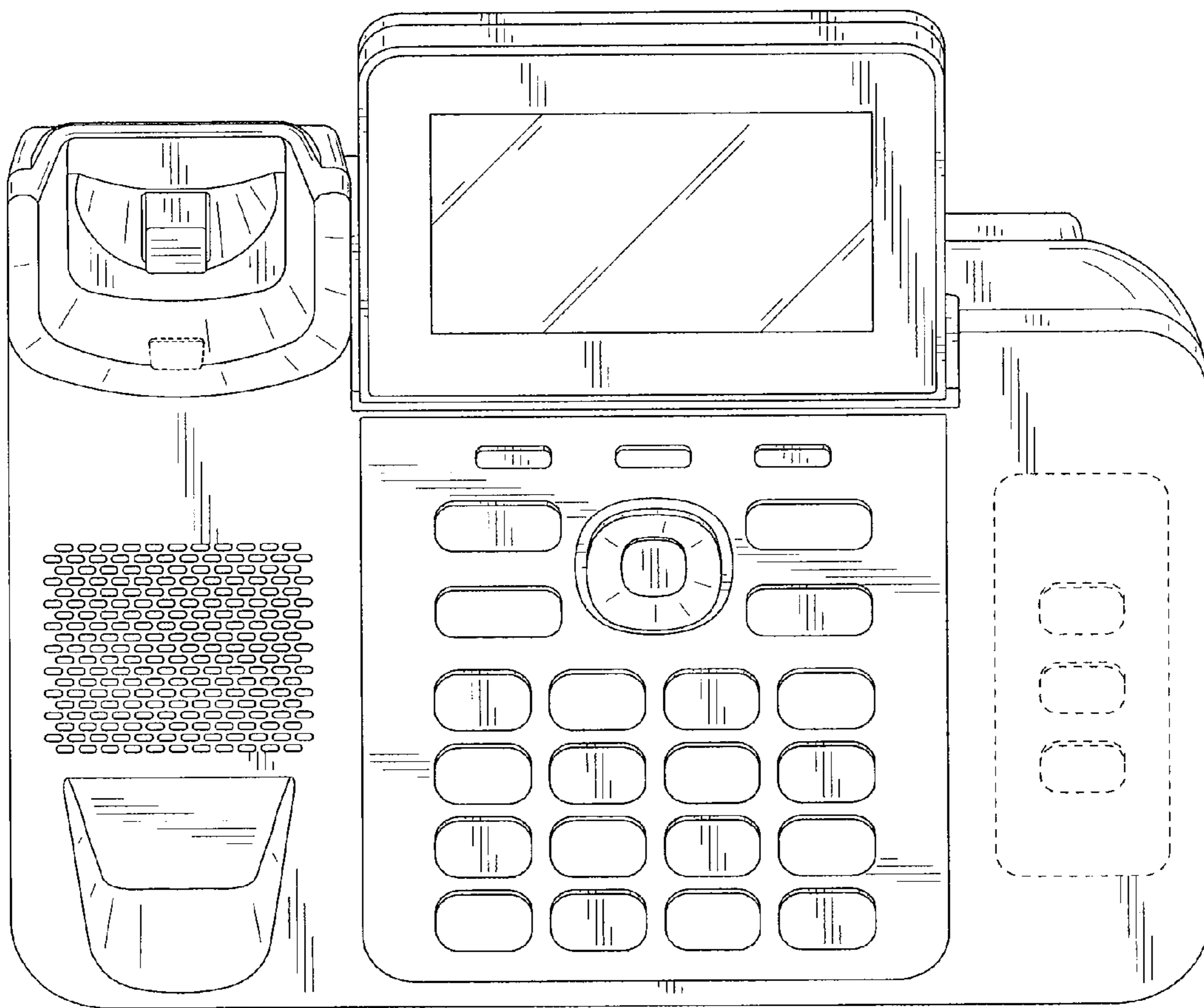


FIG. 7

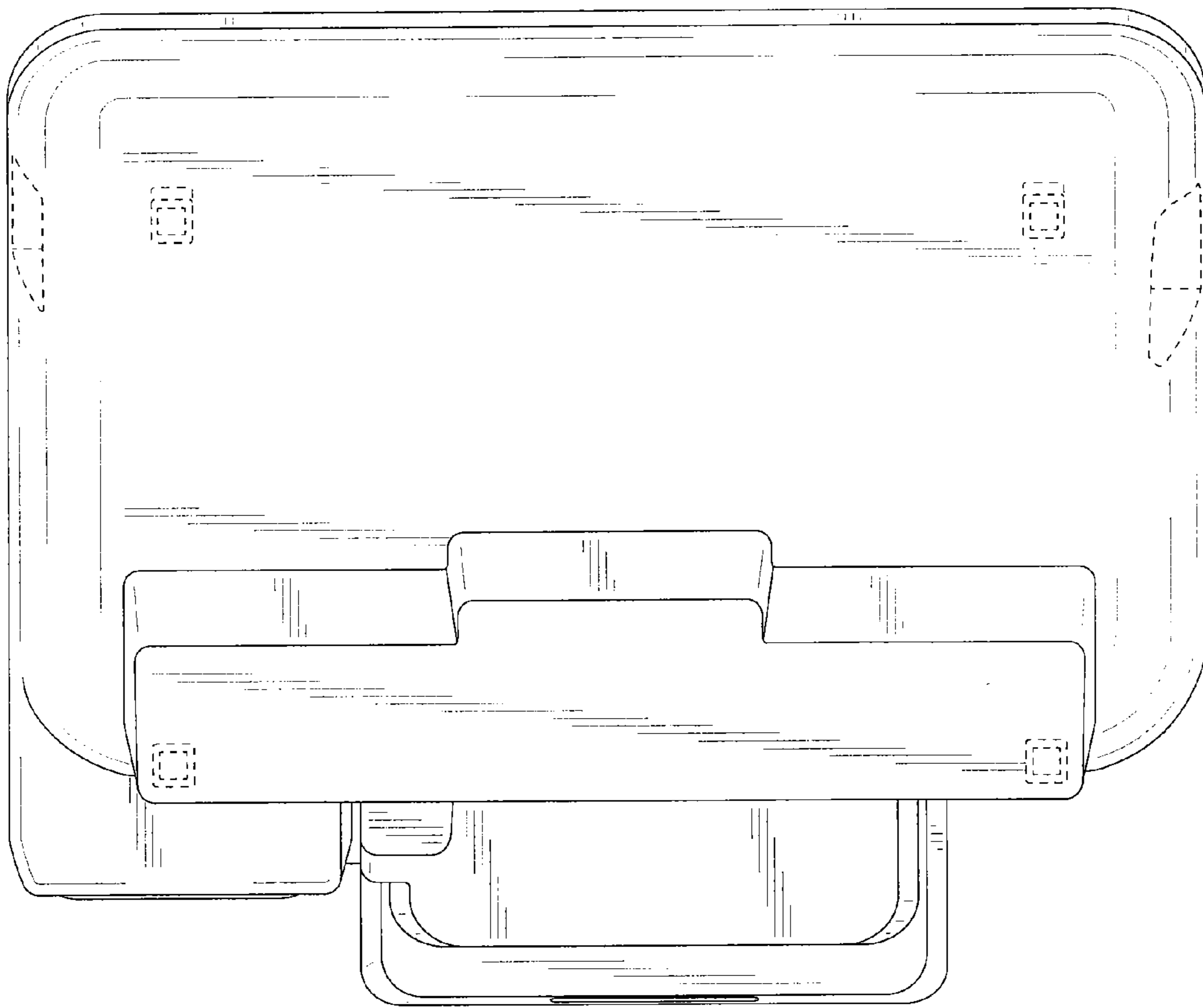


FIG. 8

