

US00D664514S

(12) **United States Design Patent**
Clegg

(10) **Patent No.:** **US D664,514 S**
(45) **Date of Patent:** **** Jul. 31, 2012**

(54) **BALL WITH VIDEO SCREEN**

(56) **References Cited**

(75) Inventor: **Timothy P. Clegg**, Manhattan Beach,
CA (US)
(73) Assignee: **Americhip, Inc.**, Los Angeles, CA (US)
(**) Term: **14 Years**
(21) Appl. No.: **29/413,938**
(22) Filed: **Feb. 22, 2012**
(51) **LOC (9) Cl.** **14-03**
(52) **U.S. Cl.** **D14/129**
(58) **Field of Classification Search** D14/125-134,
D14/239, 371, 136, 374-377, 440, 450, 448,
D14/336, 342; 312/7.2; 348/836, 838, 180,
348/184, 325, 739; 341/12; 248/917-924,
248/465; 345/104, 133, 156, 168, 87, 173;
720/605, 669, 600, 655; 369/99, 197; D21/329,
D21/515, 577, 622, 333, 433, 448, 452, 450,
D21/331, 713, 781; D6/477, 479, 300; 273/148 B;
446/484, 175, 356; D10/15, 26

U.S. PATENT DOCUMENTS

D405,456 S *	2/1999	Lefkowitz	D16/203
6,227,966 B1 *	5/2001	Yokoi	446/143
D468,738 S *	1/2003	Lin	D14/371
D482,031 S *	11/2003	Lin	D14/371
D489,778 S *	5/2004	Fan et al.	D21/688
D499,126 S *	11/2004	Kato et al.	D16/203
D535,632 S *	1/2007	Peng	D14/129
D542,320 S *	5/2007	Cheng	D16/203
D543,521 S *	5/2007	Chiu	D14/126
D579,428 S *	10/2008	Lee	D14/126
D609,202 S *	2/2010	Constable	D14/126
D616,402 S *	5/2010	Chien	D14/126
D626,984 S *	11/2010	Miyaji	D16/203

* cited by examiner

Primary Examiner — Raphael Barkai
(74) *Attorney, Agent, or Firm* — Jeffer Mangels Butler &
Mitchell LLP

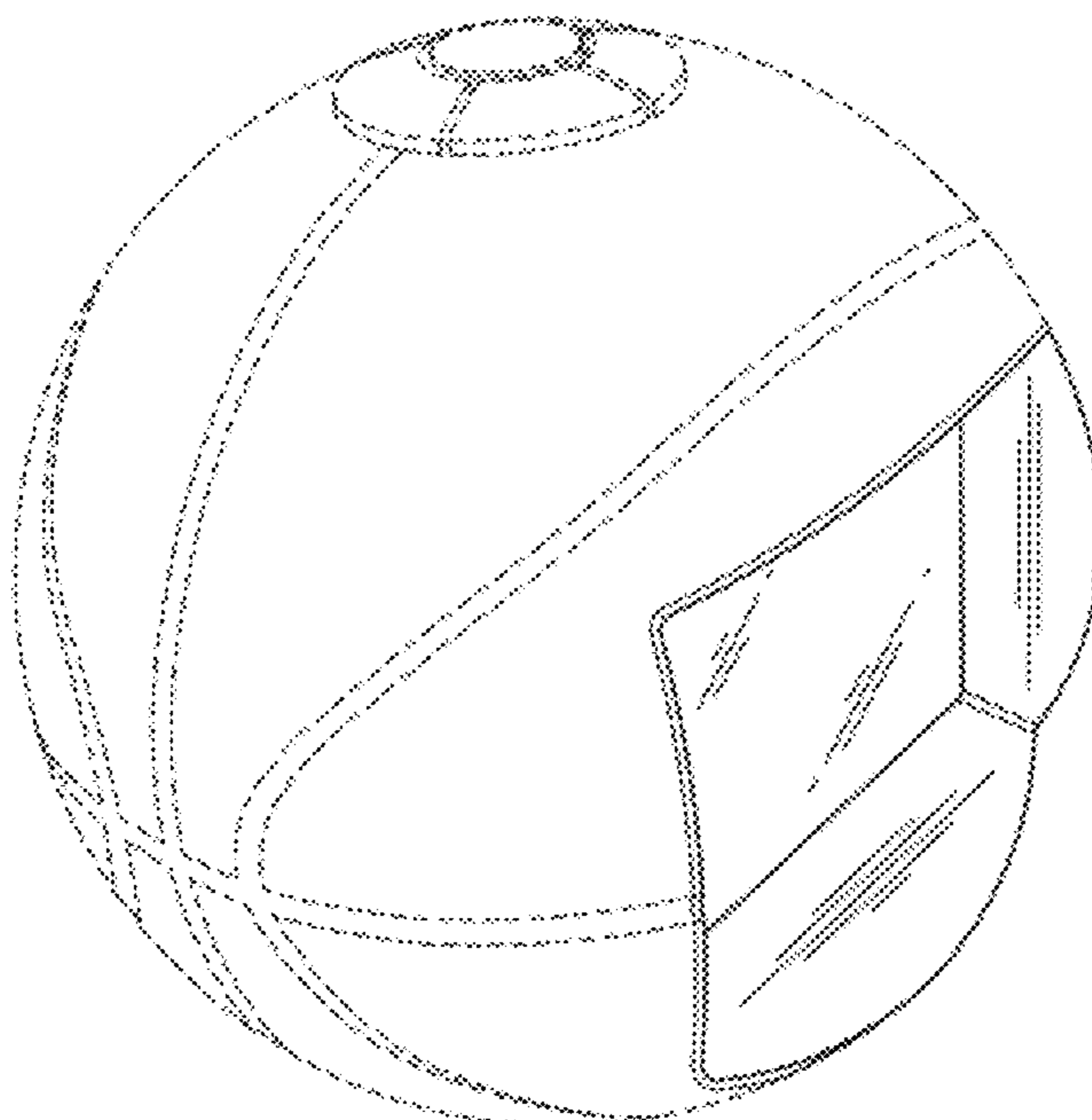
(57) **CLAIM**
The ornamental design for a ball with video screen, as shown
and described.

DESCRIPTION

FIG. 1 is a side perspective view of the present invention;
FIG. 2 is a front elevational view of the present invention; and,
FIG. 3 is a left side elevational view, with the right side
elevational view being a mirror image thereof.

1 Claim, 2 Drawing Sheets

See application file for complete search history.



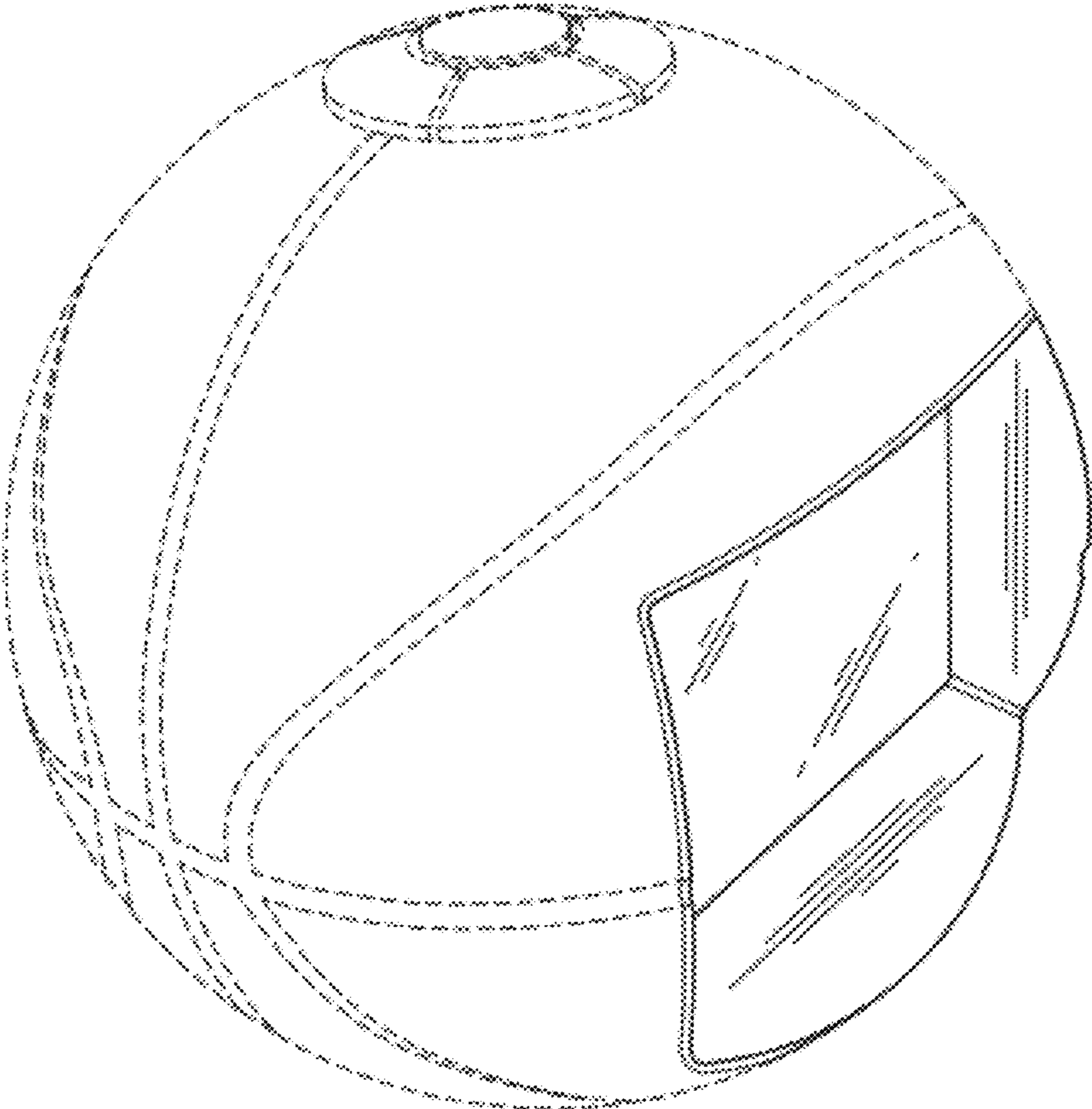


FIG. 1

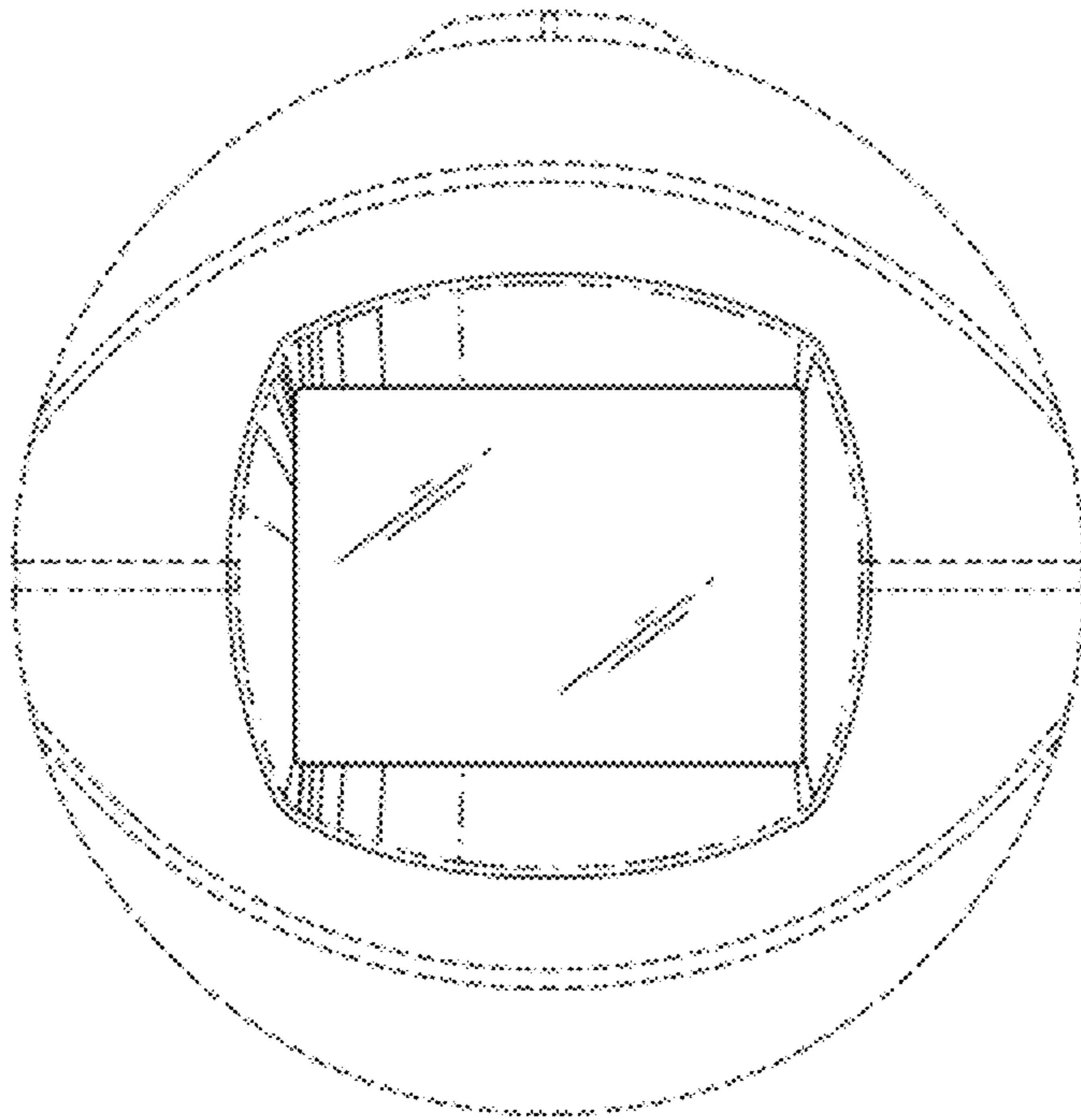


FIG. 2

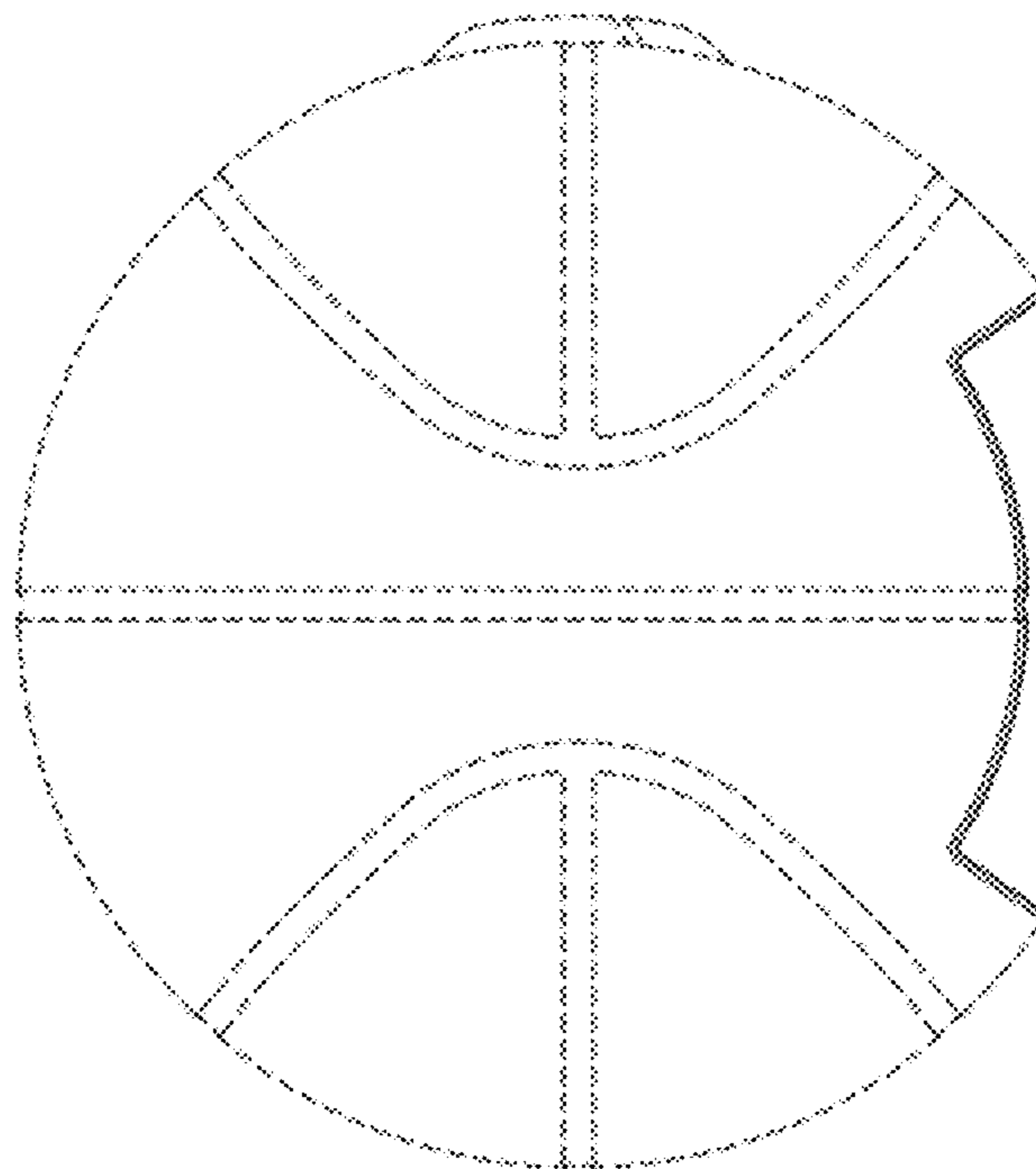


FIG. 3