



US00D664513S

(12) **United States Design Patent**  
**Laube et al.**

(10) **Patent No.:** **US D664,513 S**

(45) **Date of Patent:** **\*\* \*Jul. 31, 2012**

(54) **WALL DISPLAY**

(75) Inventors: **Douglas N. Laube**, Farmersville, TX (US); **Kevin Scott Hodge**, Lucas, TX (US); **Nathan Shawn Wainwright**, Fort Worth, TX (US); **Mark Gilson**, Austin, TX (US); **Rashid Skaf**, Plano, TX (US)

(73) Assignee: **AMX LLC**, Richardson, TX (US)

(\*) Notice: This patent is subject to a terminal disclaimer.

(\*\*) Term: **14 Years**

(21) Appl. No.: **29/393,999**

(22) Filed: **Jun. 11, 2011**

(51) **LOC (9) Cl.** ..... **14-03**

(52) **U.S. Cl.** ..... **D14/126**

(58) **Field of Classification Search** ..... D14/125-134, D14/239, 371, 136, 374-377, 440, 450, 448, D14/336, 342; 312/7.2; 348/836, 838, 180, 348/184, 325, 739; 341/12; 248/917-924, 248/465; 345/104, 133, 156, 168, 87, 173; 720/605, 669, 600, 655; 369/99, 197; D21/329, D21/515, 577, 622, 333, 433, 448, 452, 450, D21/331; D6/477, 479, 300; 273/148 B; 446/484, 175, 356; D10/15, 26

See application file for complete search history.

(56) **References Cited**

U.S. PATENT DOCUMENTS

|              |    |   |         |                  |       |         |
|--------------|----|---|---------|------------------|-------|---------|
| D422,575     | S  | * | 4/2000  | Tikhonski et al. | ..... | D14/374 |
| D424,068     | S  | * | 5/2000  | Takemasa         | ..... | D14/374 |
| D424,538     | S  | * | 5/2000  | Hayashi et al.   | ..... | D14/374 |
| D484,471     | S  | * | 12/2003 | Lin et al.       | ..... | D14/126 |
| D598,406     | S  | * | 8/2009  | Wang             | ..... | D14/126 |
| D623,616     | S  | * | 9/2010  | Cho et al.       | ..... | D14/126 |
| D624,513     | S  | * | 9/2010  | Mitsubishi       | ..... | D14/126 |
| D627,749     | S  | * | 11/2010 | Mitsubishi       | ..... | D14/126 |
| D640,215     | S  | * | 6/2011  | Hanson-Abbott    | ..... | D14/126 |
| 2003/0137584 | A1 | * | 7/2003  | Norvell et al.   | ..... | 348/61  |

\* cited by examiner

*Primary Examiner* — Raphael Barkai

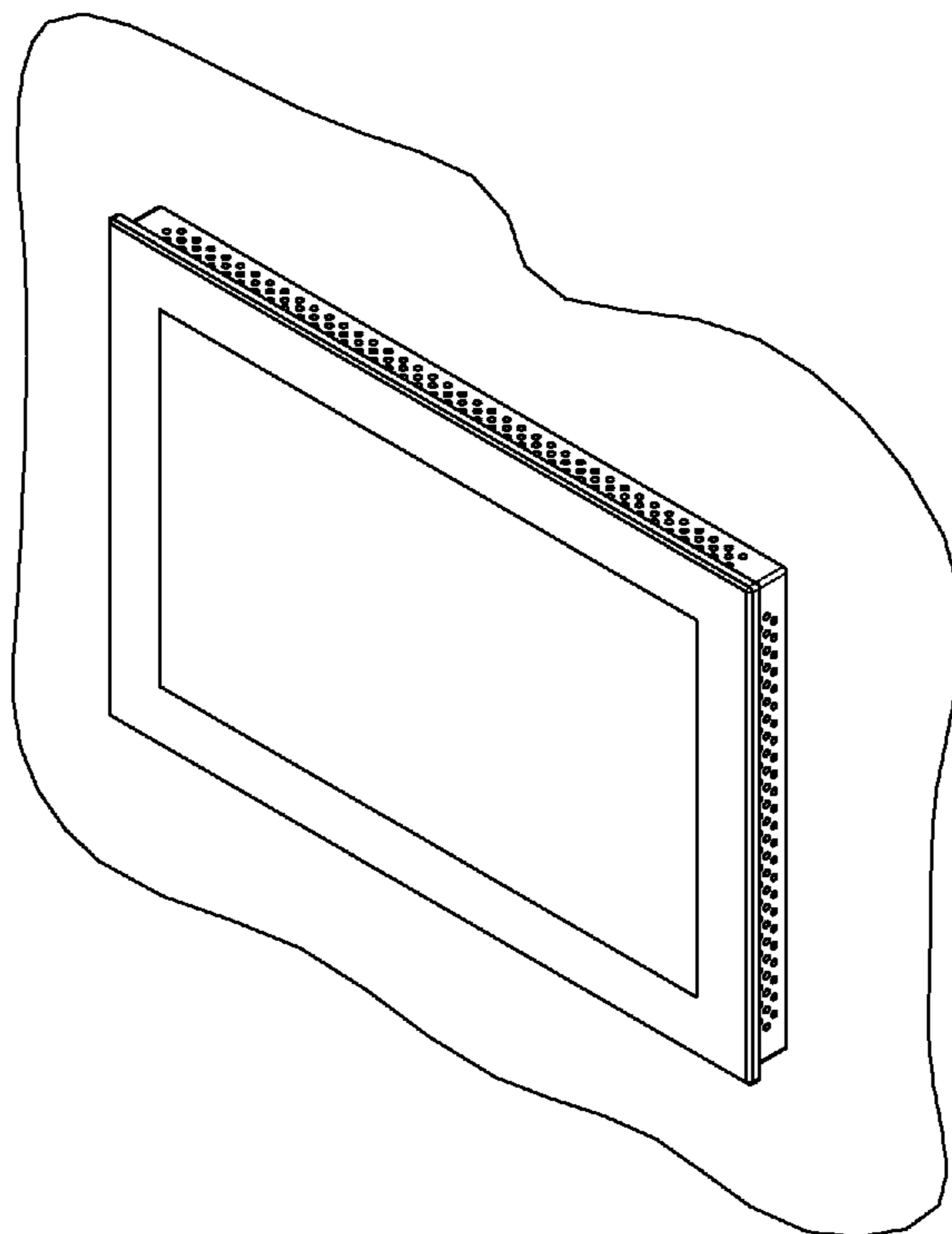
(57) **CLAIM**

The ornamental design for a wall display, as shown and described.

**DESCRIPTION**

FIG. 1 is an isometric view of a wall display; FIG. 2 is an underside isometric view thereof; FIG. 3 is a front elevation view thereof; FIG. 4 is a right elevation view thereof; FIG. 5 is a left elevation view thereof; FIG. 6 is a top elevation view thereof; and, FIG. 7 is a bottom elevation view thereof.

**1 Claim, 7 Drawing Sheets**



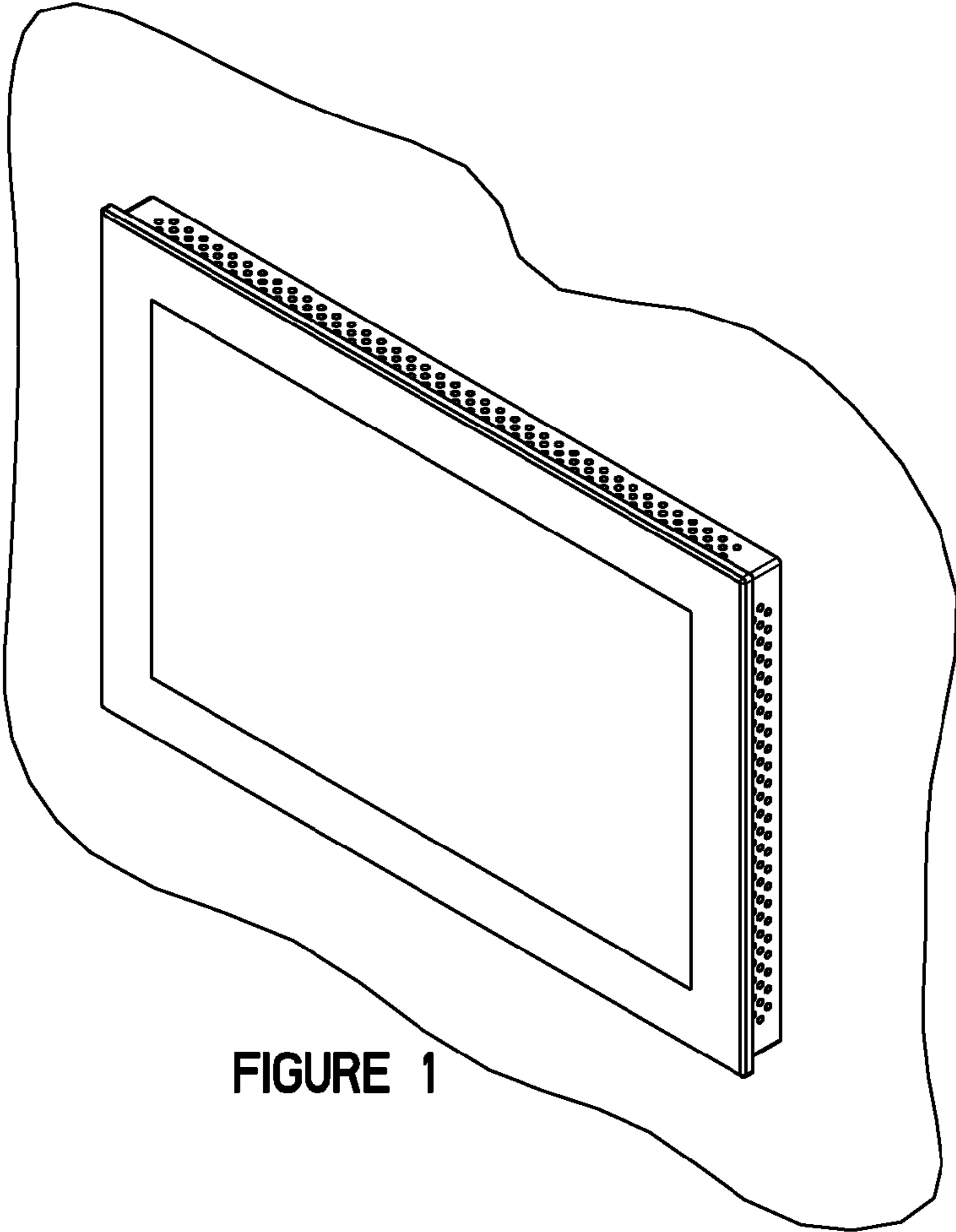


FIGURE 1

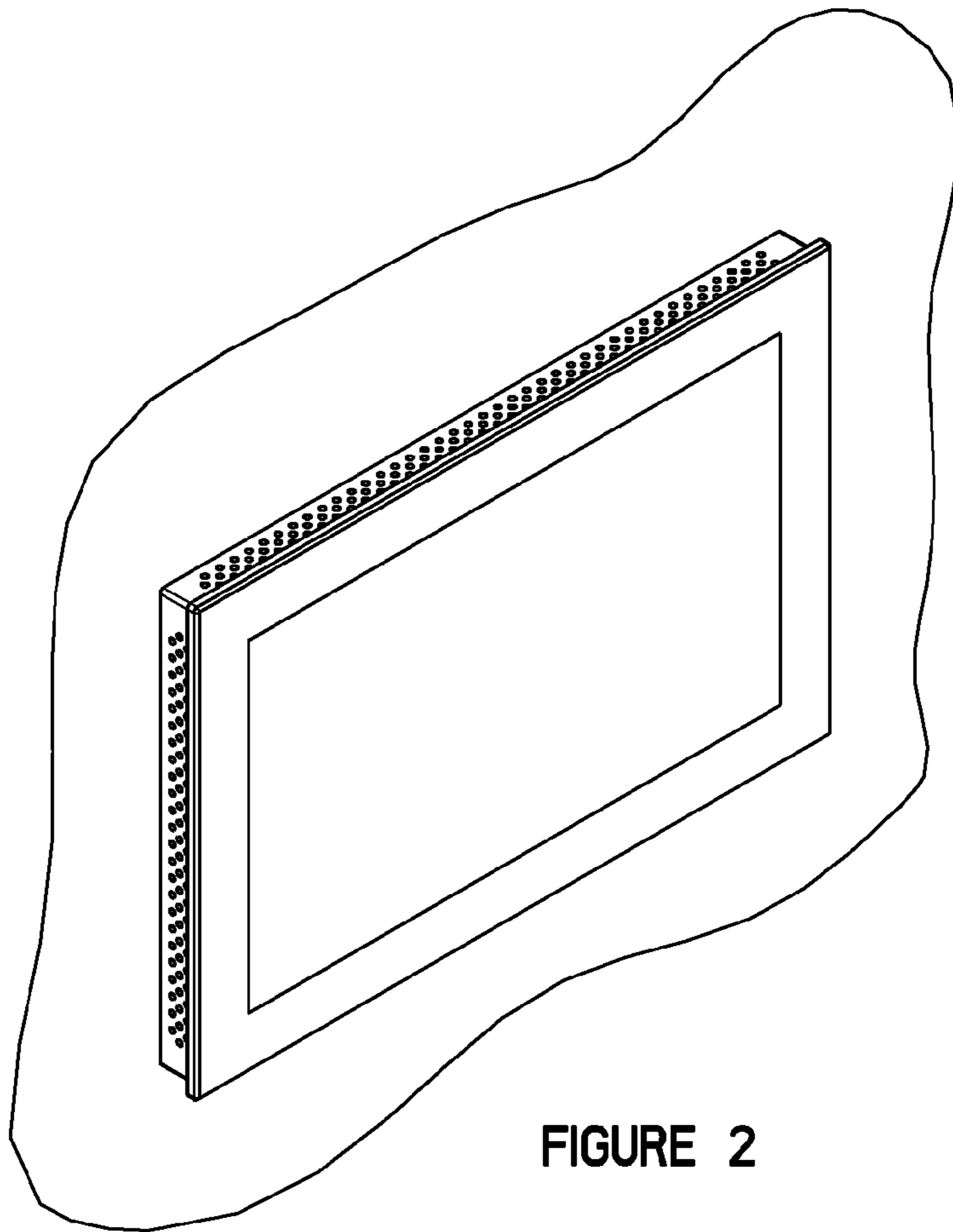


FIGURE 2

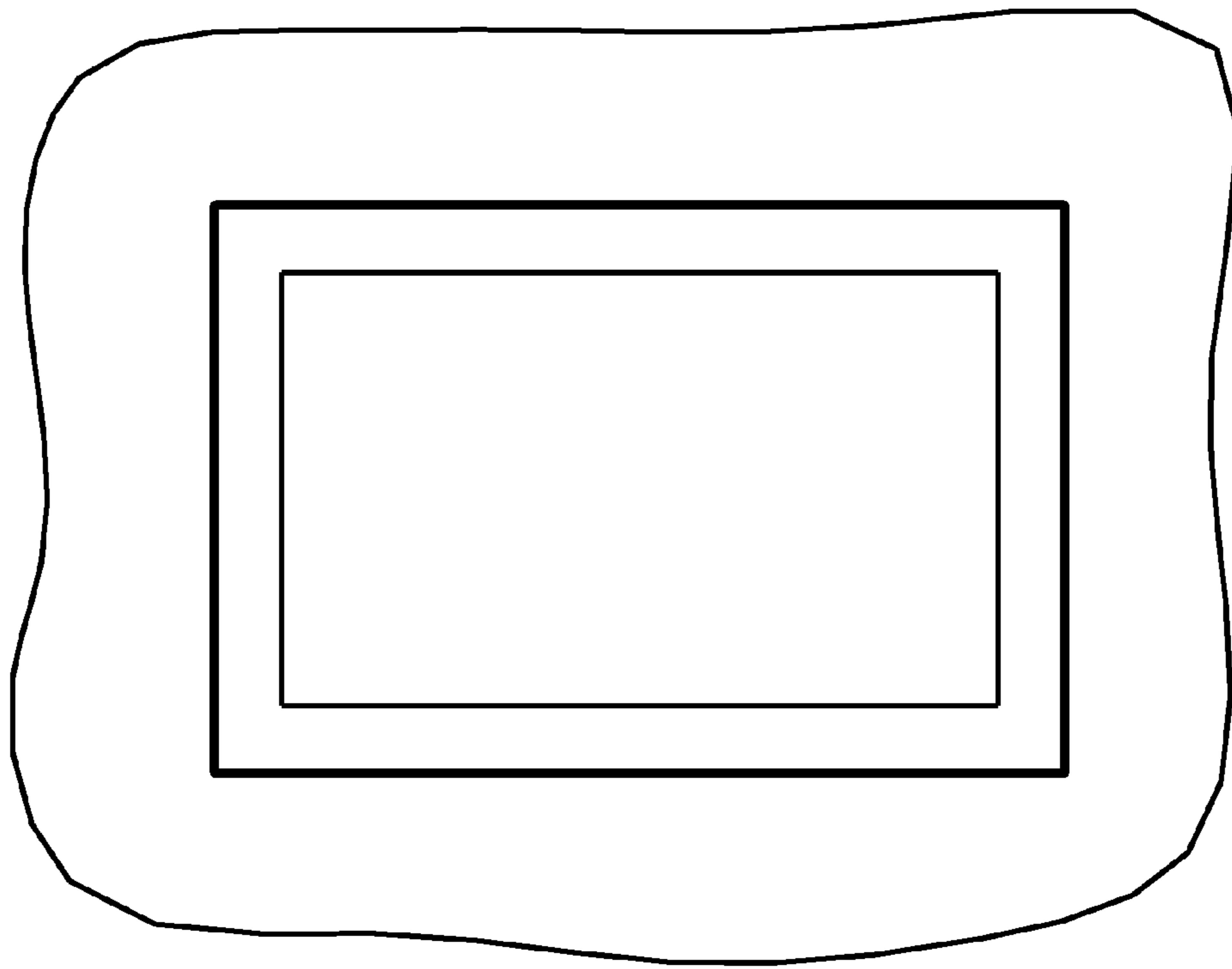


FIGURE 3

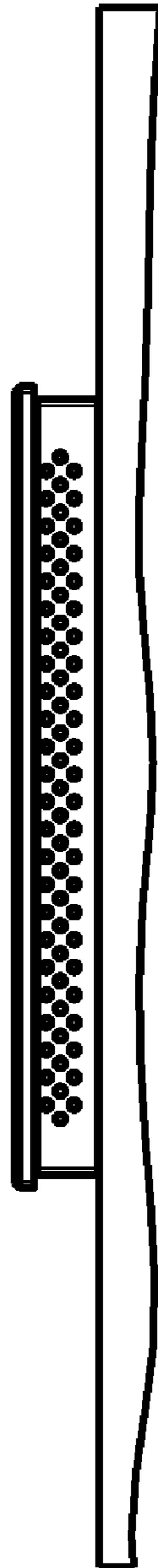


FIGURE 4

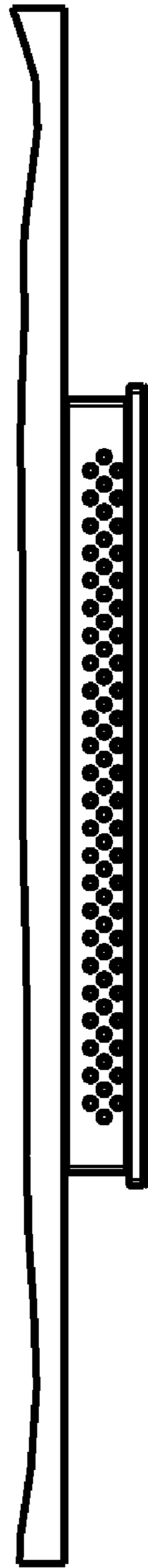


FIGURE 5

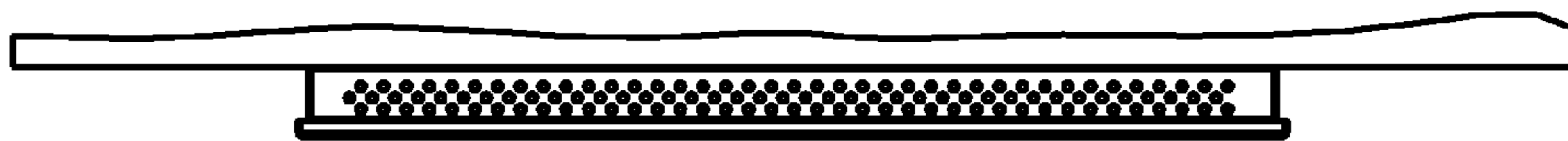


FIGURE 6



FIGURE 7