

US00D664507S

(12) **United States Design Patent**
Kuzuoka

(10) **Patent No.:** **US D664,507 S**
(45) **Date of Patent:** **** Jul. 31, 2012**

(54) **ELECTROLUMINESCENCE MODULE**

(75) Inventor: **Yoshikazu Kuzuoka**, Moriguchi (JP)

(73) Assignee: **Panasonic Corporation**, Kadoma-shi (JP)

(**) Term: **14 Years**

(21) Appl. No.: **29/398,650**

(22) Filed: **Aug. 3, 2011**

(30) **Foreign Application Priority Data**

Feb. 4, 2011 (JP) 2011-002464

(51) **LOC (9) Cl.** **13-03**

(52) **U.S. Cl.** **D13/180; D13/182**

(58) **Field of Classification Search** D13/180,
D13/182; 174/254; 257/40, 66, 72, 79; 313/483,
313/494, 504, 506, 512; 315/169.3; 345/76,
345/82; 445/25; 428/690; 438/99, 460;
427/66

See application file for complete search history.

(56) **References Cited**

U.S. PATENT DOCUMENTS

5,583,394	A *	12/1996	Burbank et al.	313/498
6,850,006	B2 *	2/2005	Kim et al.	313/512
7,560,861	B2 *	7/2009	Park	313/504
D633,450	S *	3/2011	Fujihara et al.	D13/180
D637,165	S *	5/2011	Kuzuoka	D13/180
D637,166	S *	5/2011	Kuzuoka	D13/180
D638,379	S *	5/2011	Kuzuoka	D13/180
D638,380	S *	5/2011	Kuzuoka	D13/180

D638,381	S *	5/2011	Kuzuoka	D13/180
D638,382	S *	5/2011	Kuzuoka	D13/180
D638,383	S *	5/2011	Kuzuoka	D13/180
D642,996	S *	8/2011	Miyake	D13/180
D643,820	S *	8/2011	Kuzuoka	D13/180
7,994,715	B2 *	8/2011	Buchhauser et al.	313/509
8,076,840	B2 *	12/2011	Kim	313/504
8,098,007	B2 *	1/2012	Kim et al.	313/504
2002/0043932	A1 *	4/2002	Kawashima	313/512
2004/0051449	A1 *	3/2004	Klausmann et al.	313/512

* cited by examiner

Primary Examiner — Selina Sikder

(74) *Attorney, Agent, or Firm* — Marvin A. Motsenbocker; Mots Law, PLLC

(57) **CLAIM**

The ornamental design for an electroluminescence module, as shown and described.

DESCRIPTION

FIG. 1 is a front perspective view of an electroluminescence module;

FIG. 2 is a front view thereof;

FIG. 3 is a right side view thereof;

FIG. 4 is a plan view thereof;

FIG. 5 is a rear view thereof; and,

FIG. 6 is a bottom plan view thereof.

A left side view of the electroluminescence module is a mirror image of the right side view shown in FIG. 3, and therefore omitted.

1 Claim, 6 Drawing Sheets

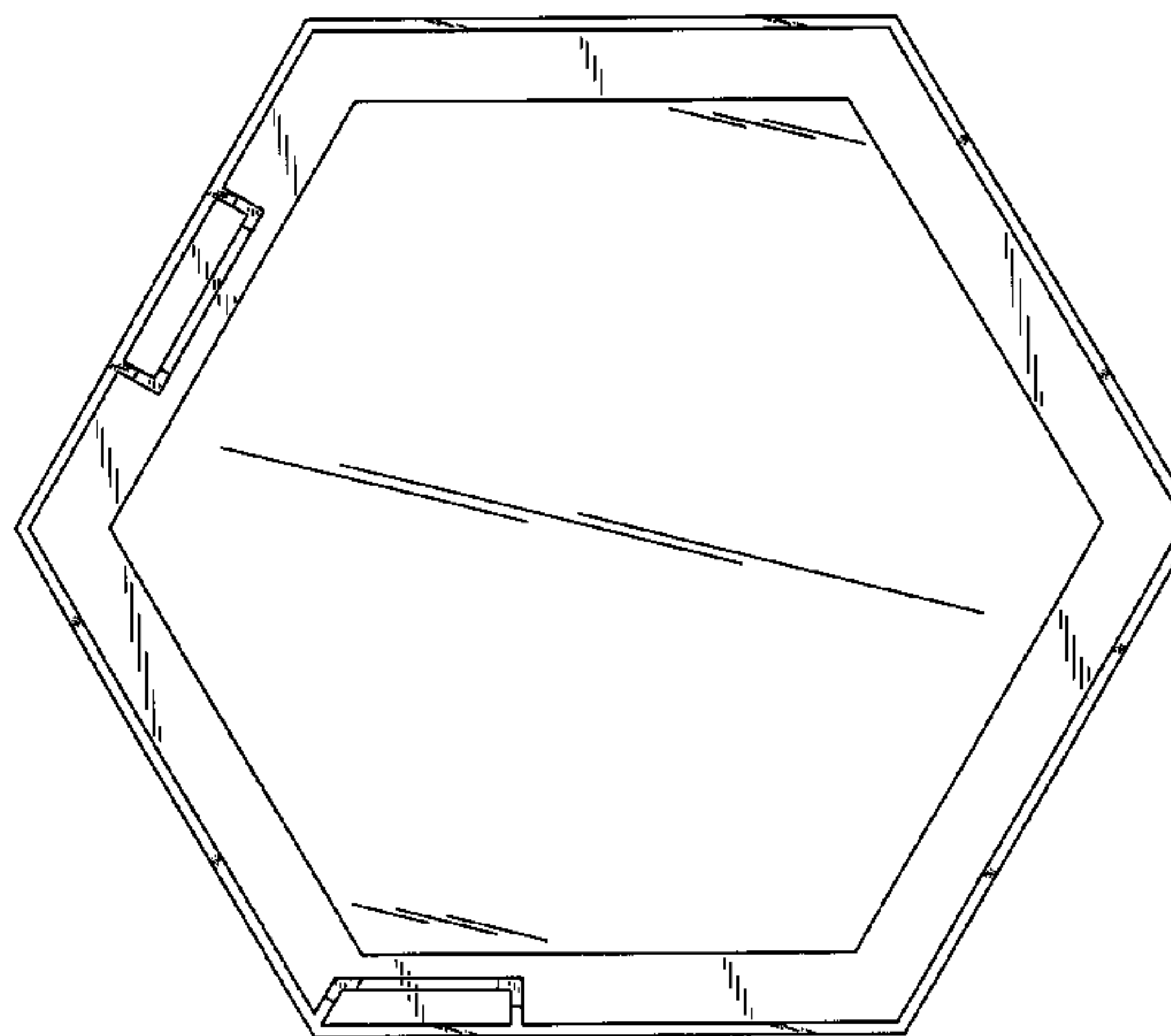
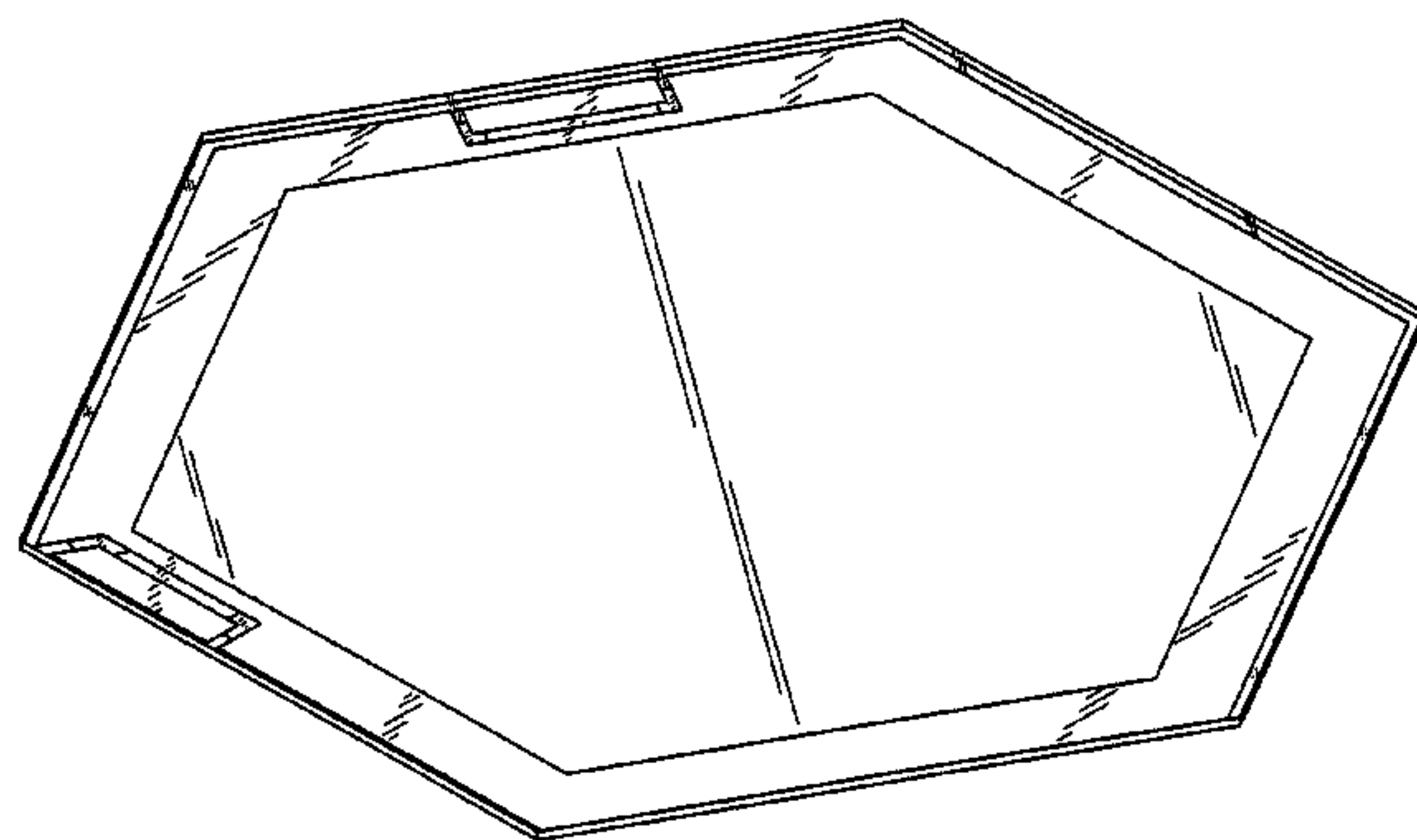


Fig. 1

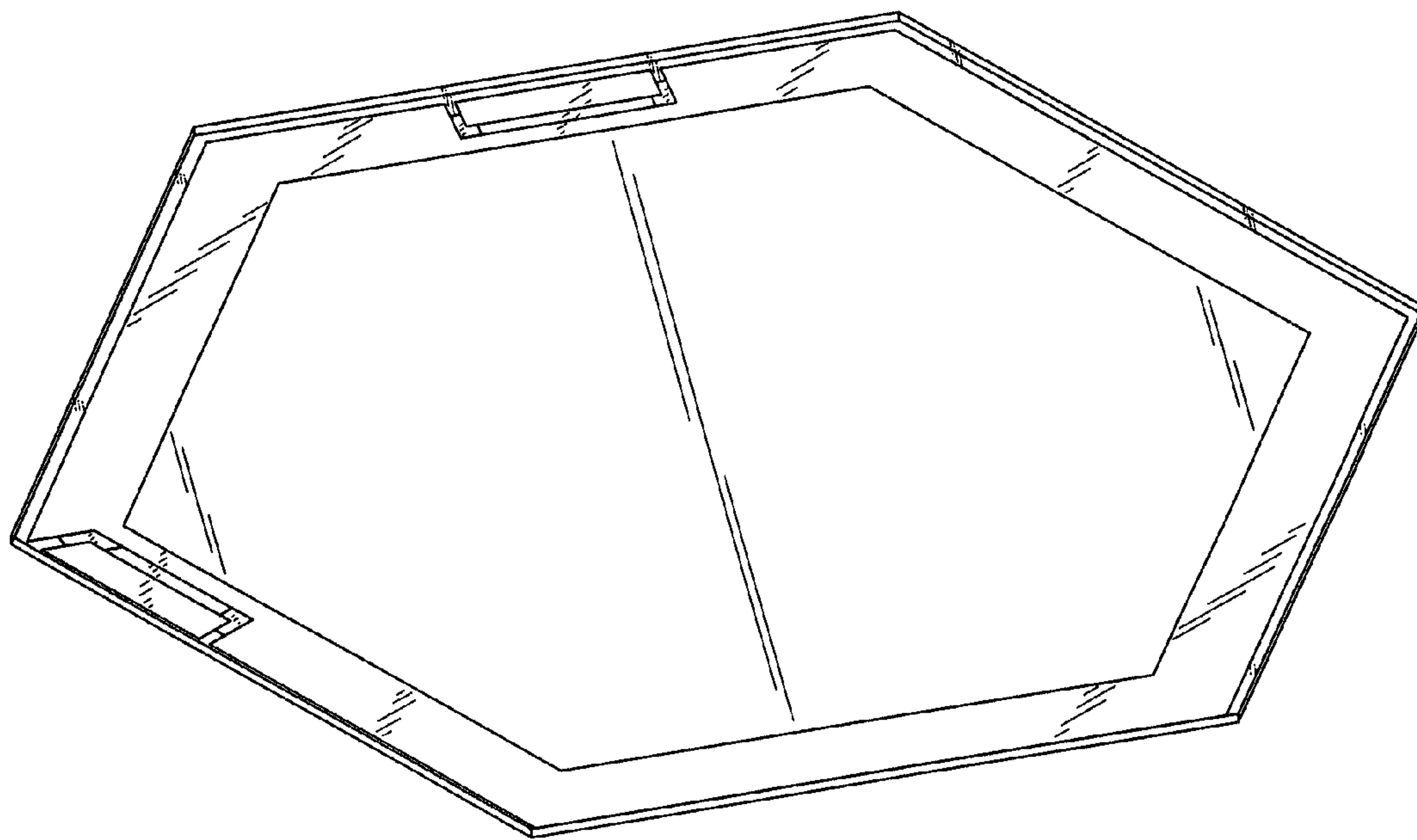


Fig.2

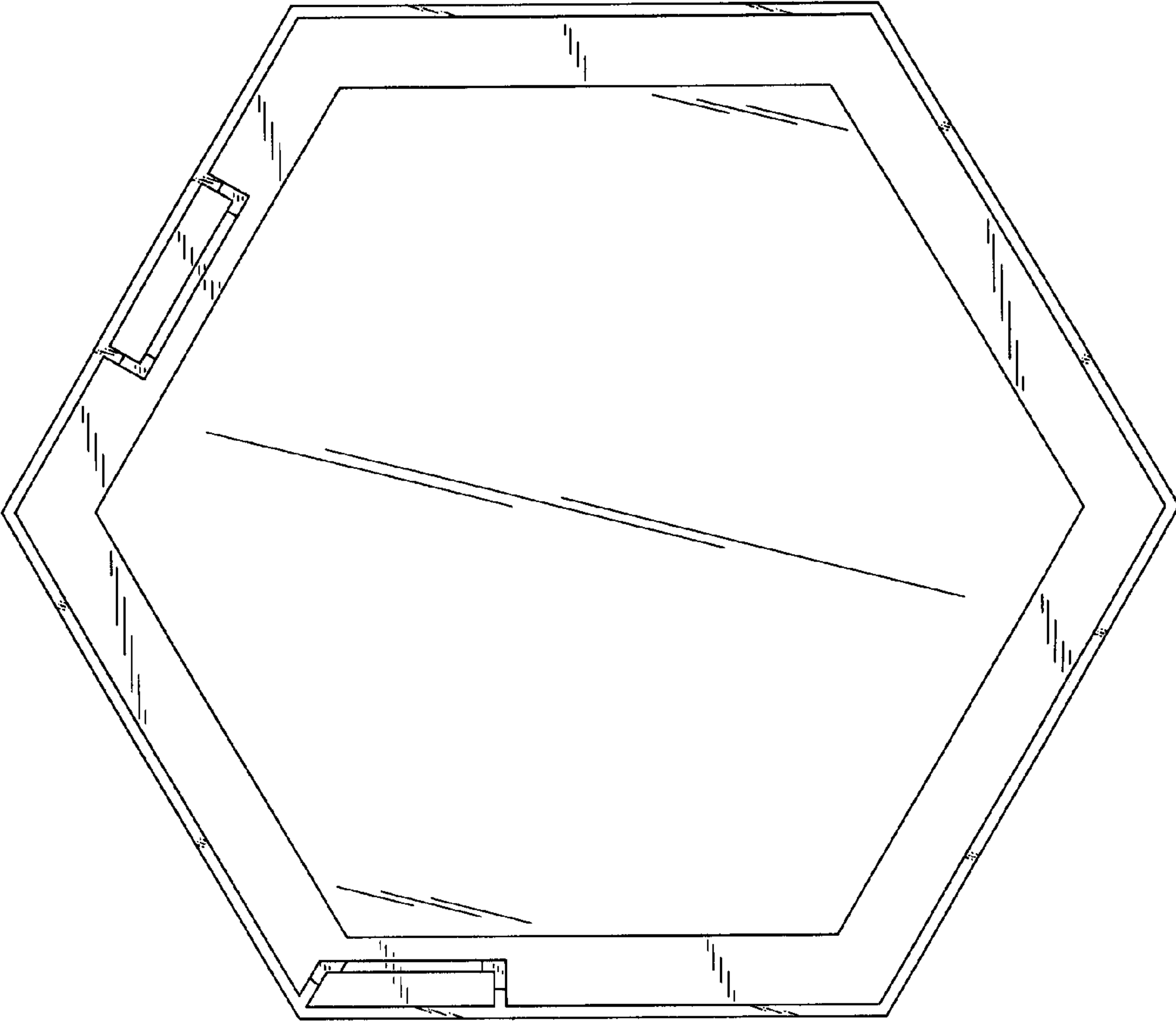


Fig.3



Fig.4



Fig.5

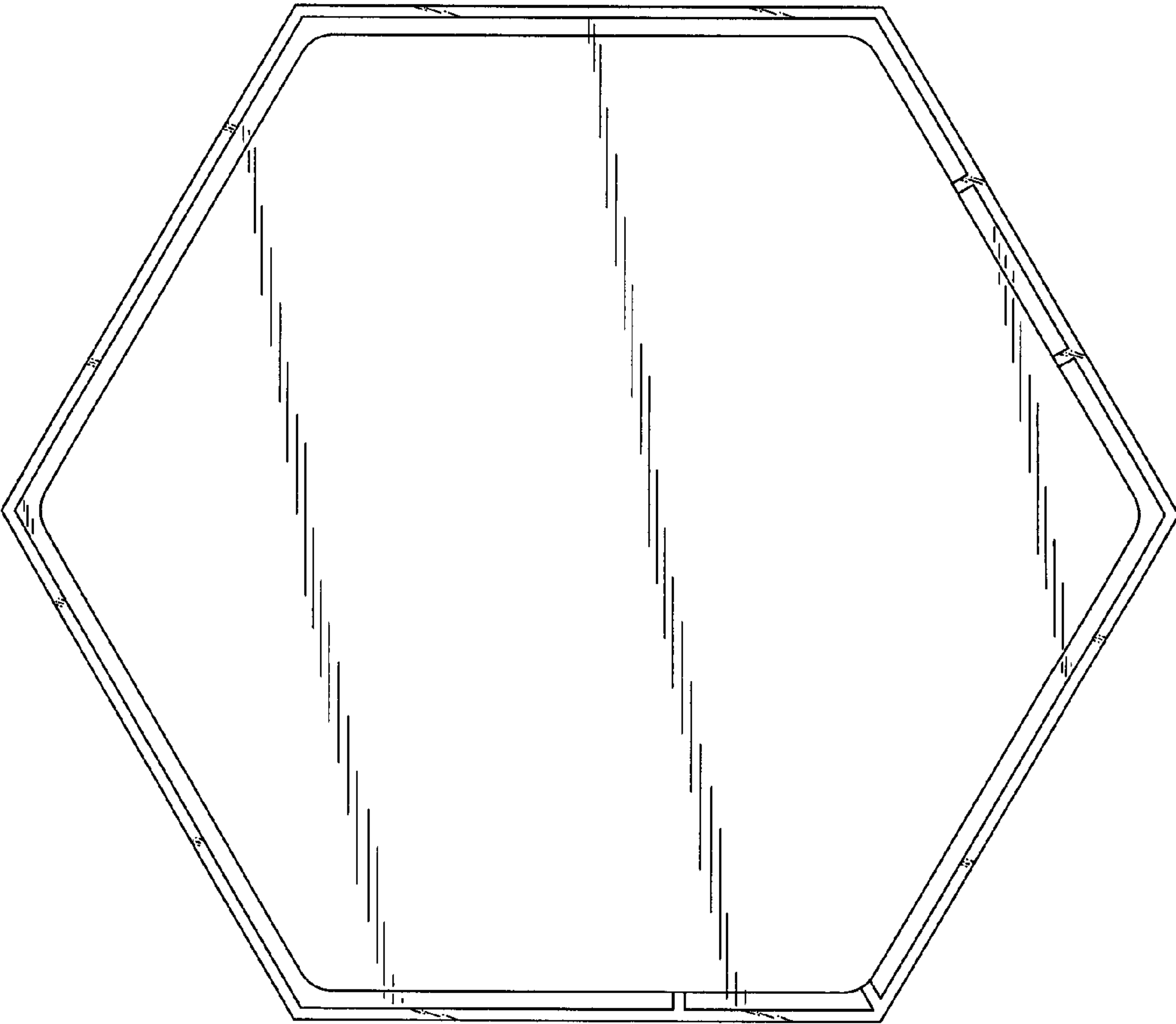


Fig.6

