



US00D664506S

(12) **United States Design Patent**  
**Kuzuoka**

(10) **Patent No.:** **US D664,506 S**  
(45) **Date of Patent:** **\*\* Jul. 31, 2012**

(54) **ELECTROLUMINESCENCE MODULE**

(75) Inventor: **Yoshikazu Kuzuoka**, Moriguchi (JP)

(73) Assignee: **Panasonic Corporation**, Kadoma-shi (JP)

(\*\*) Term: **14 Years**

(21) Appl. No.: **29/398,645**

(22) Filed: **Aug. 3, 2011**

(30) **Foreign Application Priority Data**

Feb. 4, 2011 (JP) ..... 2011-002463

(51) **LOC (9) Cl.** ..... **13-03**

(52) **U.S. Cl.** ..... **D13/180; D13/182**

(58) **Field of Classification Search** ..... D13/180,  
D13/182; 174/254; 257/40, 66, 72, 79; 313/483,  
313/494, 504, 506, 512; 315/169.3; 345/76,  
345/82; 445/25; 428/690; 438/99, 460;  
427/66

See application file for complete search history.

(56) **References Cited**

**U.S. PATENT DOCUMENTS**

5,583,394	A *	12/1996	Burbank et al.	.....	313/498
6,850,006	B2 *	2/2005	Kim et al.	.....	313/512
7,560,861	B2 *	7/2009	Park	.....	313/504
D633,450	S *	3/2011	Fujihara et al.	.....	D13/180
D637,165	S *	5/2011	Kuzuoka	.....	D13/180
D637,166	S *	5/2011	Kuzuoka	.....	D13/180
D638,379	S *	5/2011	Kuzuoka	.....	D13/180
D638,380	S *	5/2011	Kuzuoka	.....	D13/180

D638,381	S *	5/2011	Kuzuoka	.....	D13/180
D638,382	S *	5/2011	Kuzuoka	.....	D13/180
D638,383	S *	5/2011	Kuzuoka	.....	D13/180
D642,996	S *	8/2011	Miyake	.....	D13/180
D643,820	S *	8/2011	Kuzuoka	.....	D13/180
7,994,715	B2 *	8/2011	Buchhauser et al.	.....	313/509
8,076,840	B2 *	12/2011	Kim	.....	313/504
8,098,007	B2 *	1/2012	Kim et al.	.....	313/504
2002/0043932	A1 *	4/2002	Kawashima	.....	313/512
2004/0051449	A1 *	3/2004	Klausmann et al.	.....	313/512

\* cited by examiner

*Primary Examiner* — Selina Sikder

(74) *Attorney, Agent, or Firm* — Marvin A. Motsenbocker;  
Mots Law, PLLC

(57) **CLAIM**

The ornamental design for an electroluminescence module, as shown and described.

**DESCRIPTION**

FIG. 1 is a front perspective view of an electroluminescence module;

FIG. 2 is a front view thereof;

FIG. 3 is a right side view thereof;

FIG. 4 is a plan view thereof;

FIG. 5 is a rear view thereof; and,

FIG. 6 is a bottom plan view thereof.

A left side view of the electroluminescence module is a mirror image of the right side view shown in FIG. 3, and therefore omitted.

**1 Claim, 6 Drawing Sheets**

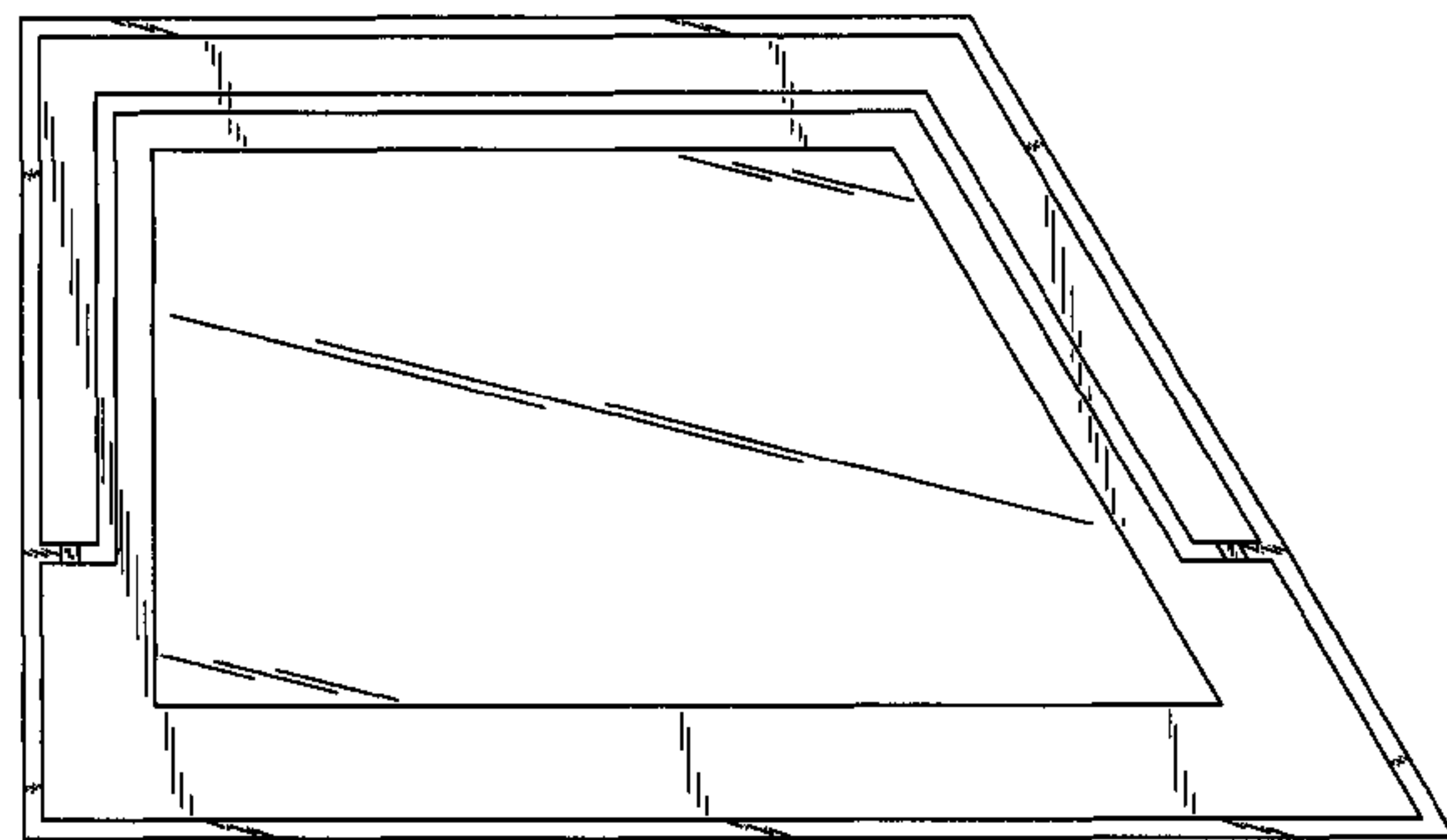
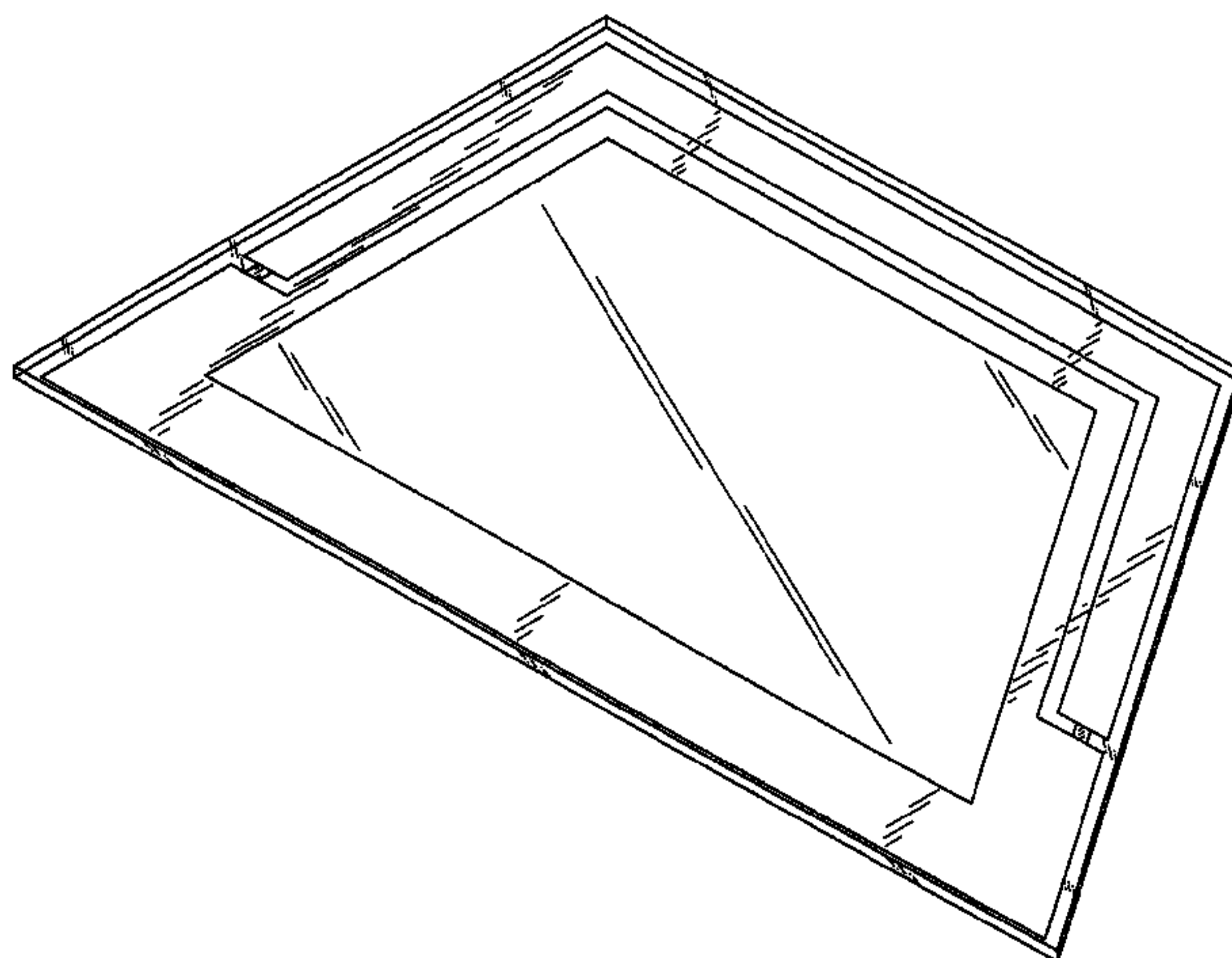


Fig.1

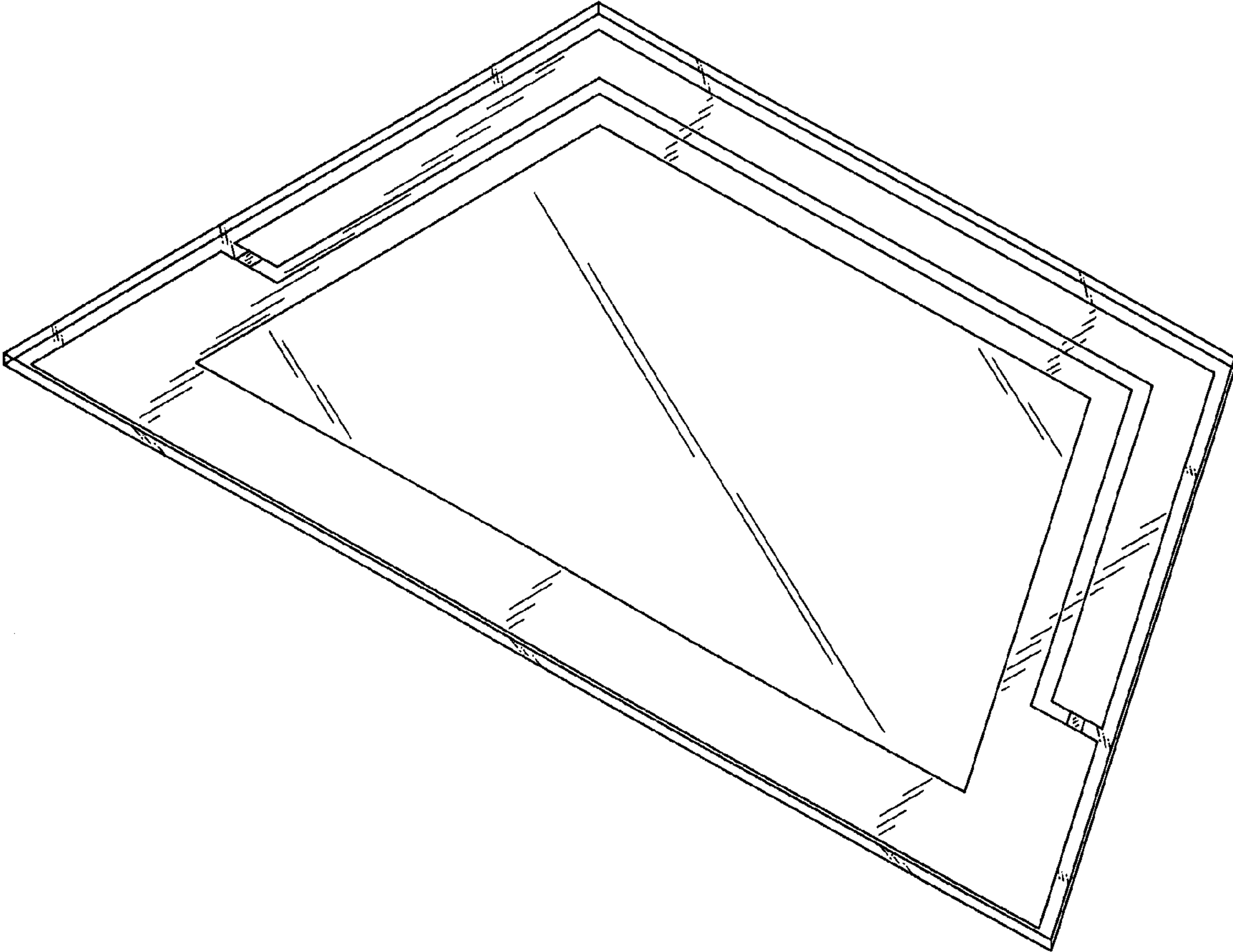
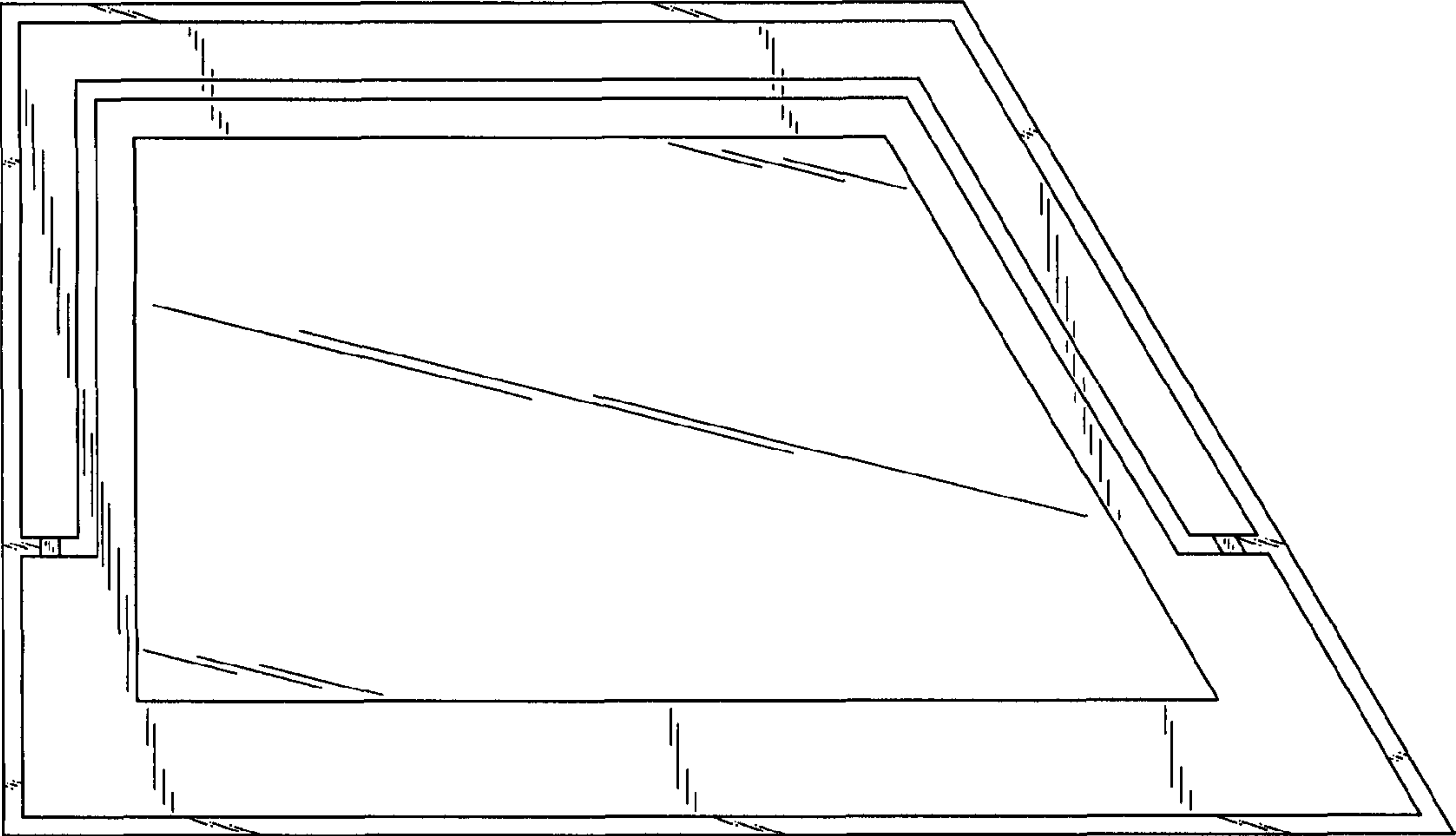


Fig.2



# Fig. 3



**Fig.4**



Fig.5

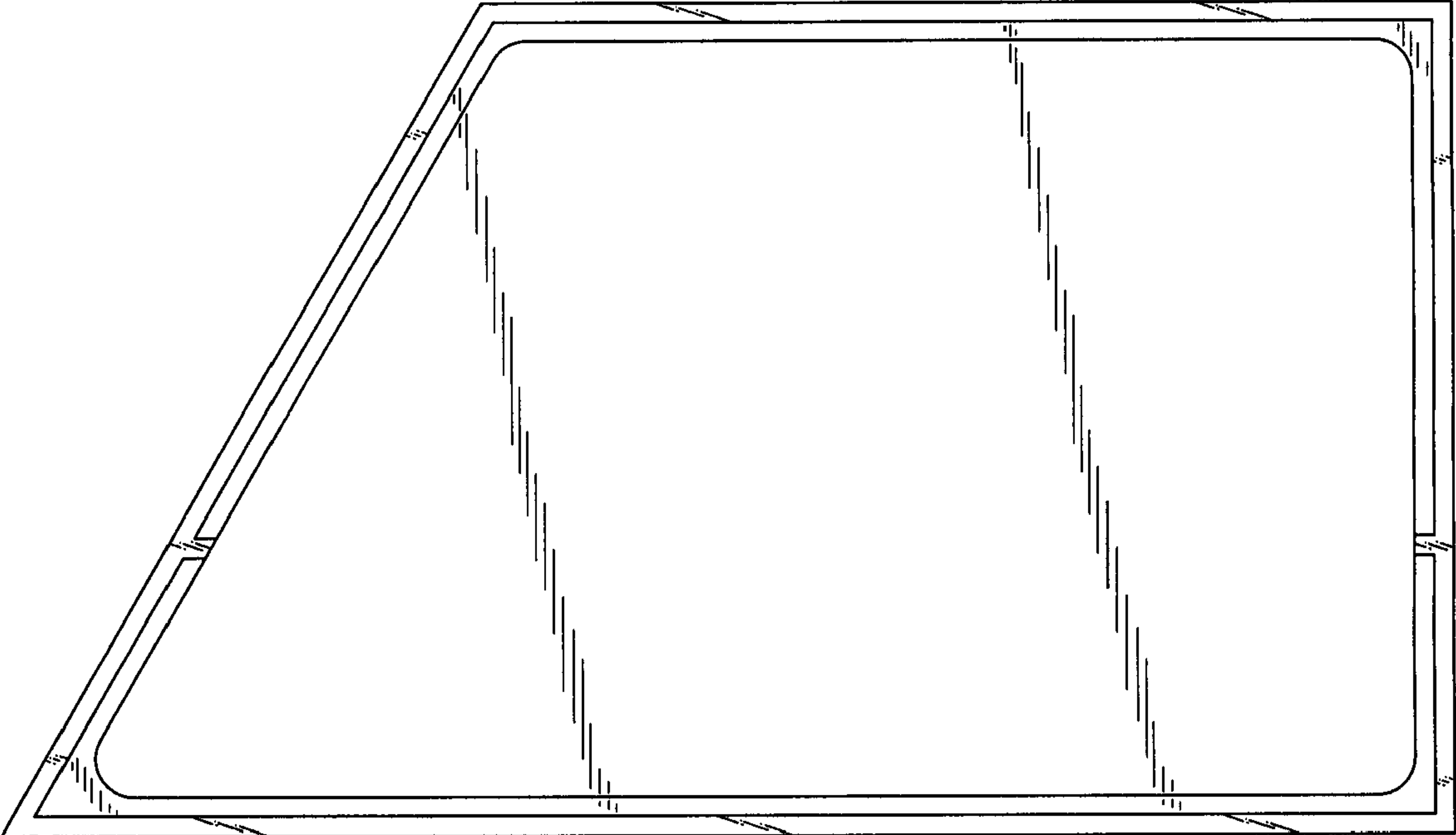


Fig.6

