

US00D664505S

(12) **United States Design Patent**
Ko

(10) **Patent No.:** **US D664,505 S**

(45) **Date of Patent:** **** Jul. 31, 2012**

(54) **LIGHT EMITTING DIODE PACKAGE**

(75) Inventor: **Bo-Yu Ko**, New Taipei (TW)

(73) Assignee: **Lextar Electronics Corp.**, Hsinchu (TW)

(**) Term: **14 Years**

(21) Appl. No.: **29/398,010**

(22) Filed: **Jul. 25, 2011**

(51) **LOC (9) Cl.** **13-03**

(52) **U.S. Cl.** **D13/180**

(58) **Field of Classification Search** D13/180;
D26/2; 257/79, 80, 81, 88, 89, 95, 98, 99,
257/100, E33.058; 313/483, 498, 500; 362/555,
362/800

See application file for complete search history.

(56) **References Cited**

U.S. PATENT DOCUMENTS

D576,570 S *	9/2008	Chen et al.	D13/180
D578,084 S *	10/2008	Kobayakawa	D13/180
D608,309 S *	1/2010	Kim	D13/180
D622,682 S *	8/2010	Park et al.	D13/180
D628,541 S *	12/2010	Lin	D13/180

D632,267 S *	2/2011	Chen et al.	D13/180
D635,529 S *	4/2011	Hsu	D13/180
D640,995 S *	7/2011	Lin et al.	D13/180
D640,996 S *	7/2011	Lee et al.	D13/180
D656,107 S *	3/2012	Hsu	D13/180
2011/0127566 A1 *	6/2011	Yoon	257/99

* cited by examiner

Primary Examiner — Selina Sikder

(74) *Attorney, Agent, or Firm* — Schmeiser, Olsen & Watts LLP

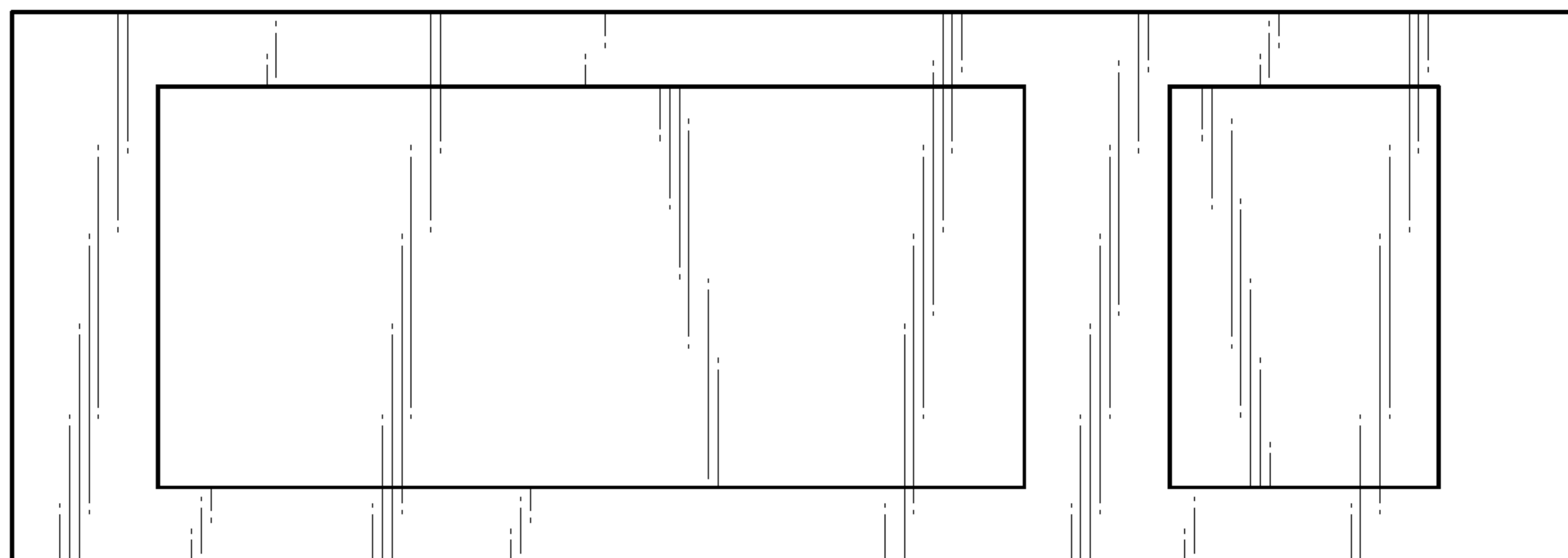
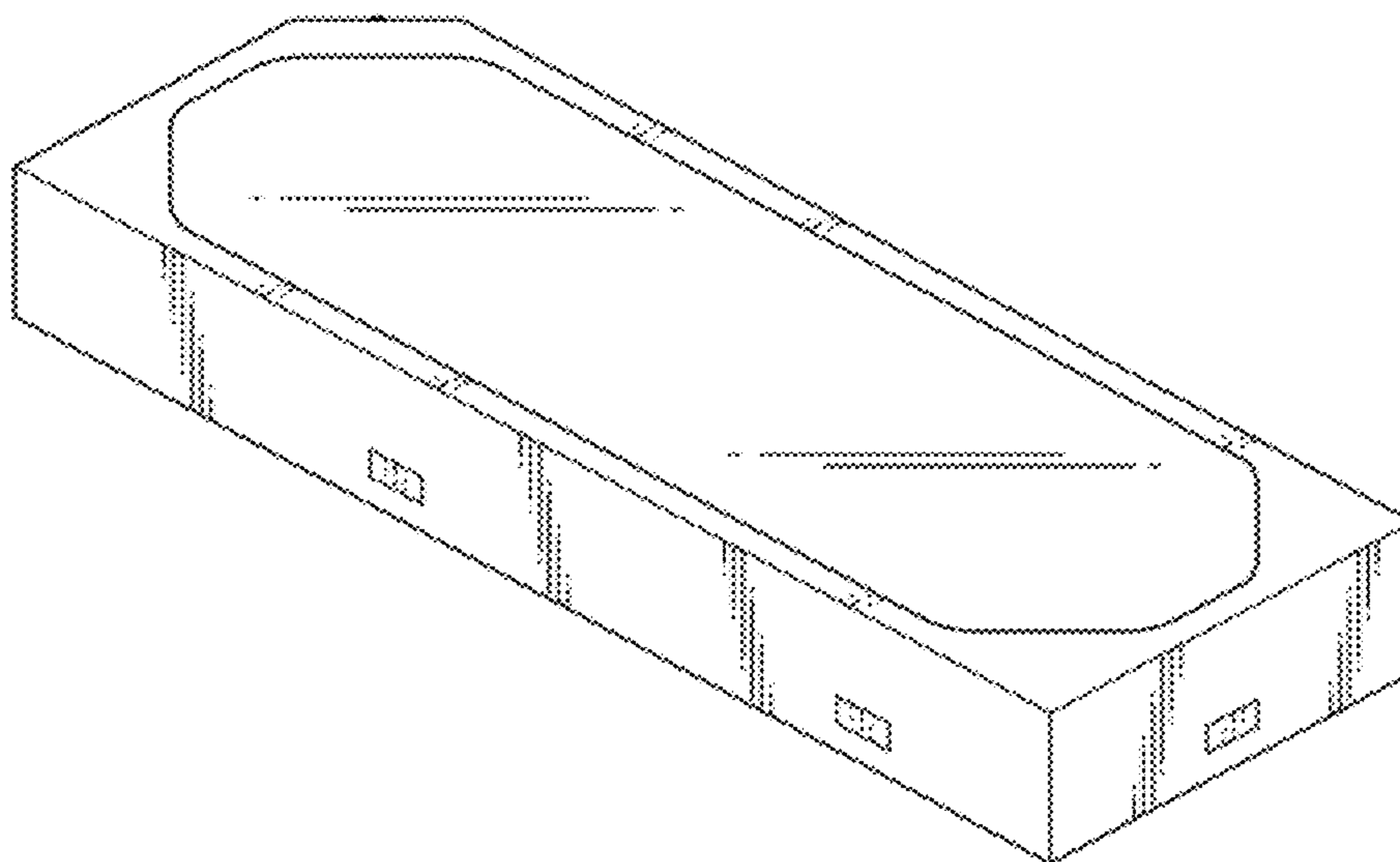
(57) **CLAIM**

I claim the ornamental design for light emitting diode package, as shown and described.

DESCRIPTION

FIG. 1 is a front perspective view of light emitting diode package showing the new design;
FIG. 2 is a front elevational view thereof;
FIG. 3 is a rear elevational view thereof;
FIG. 4 is a left side elevational view thereof;
FIG. 5 is a right side elevational view thereof;
FIG. 6 is a top plan view thereof; and,
FIG. 7 is a bottom plan view thereof.

1 Claim, 7 Drawing Sheets



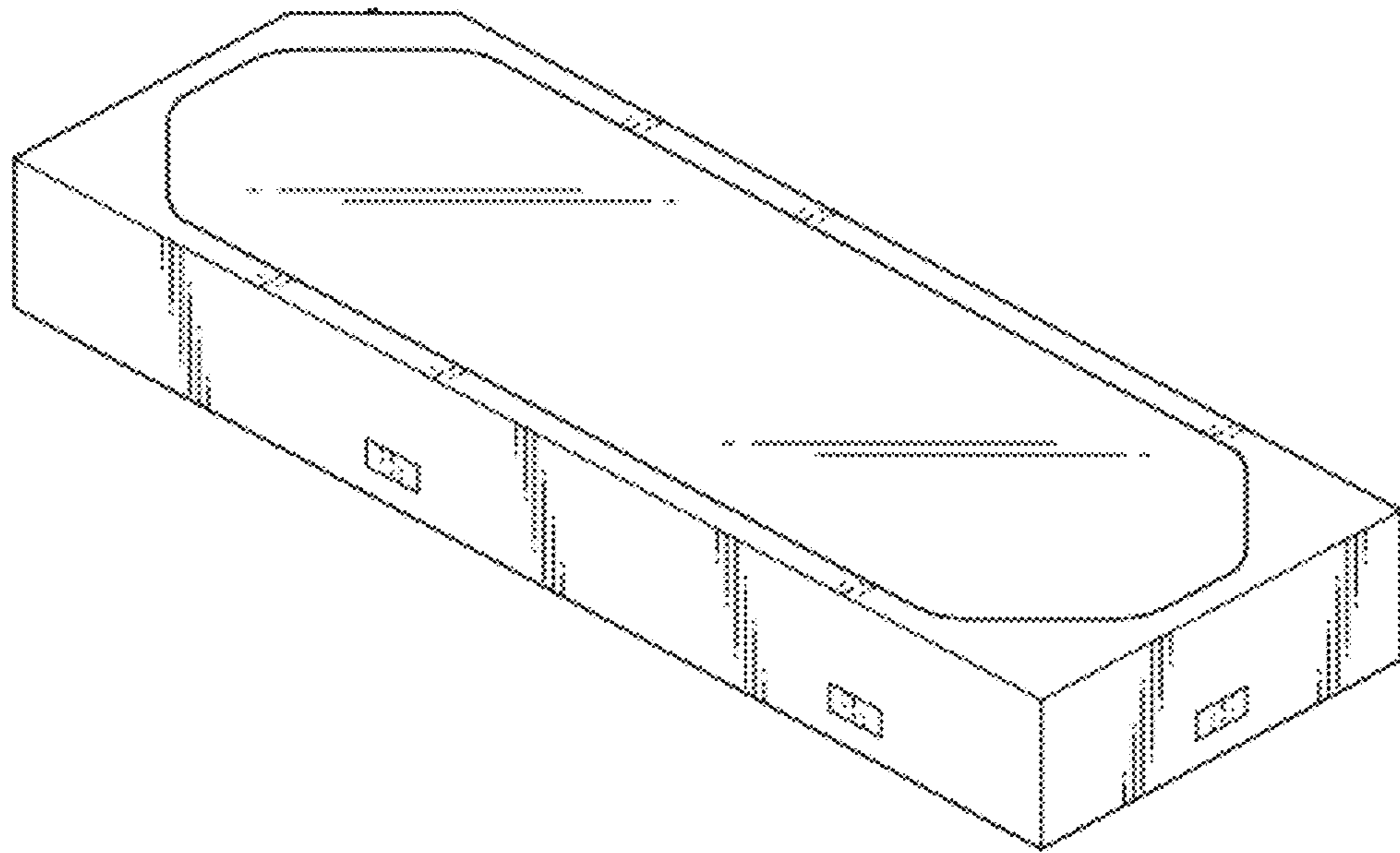


FIG. 1

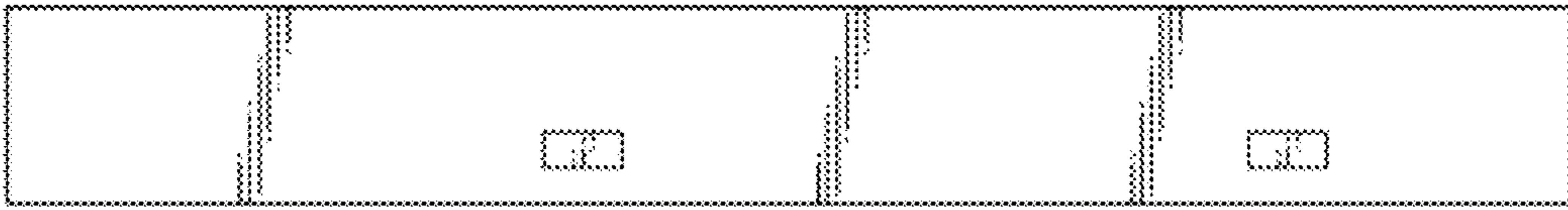


FIG.2

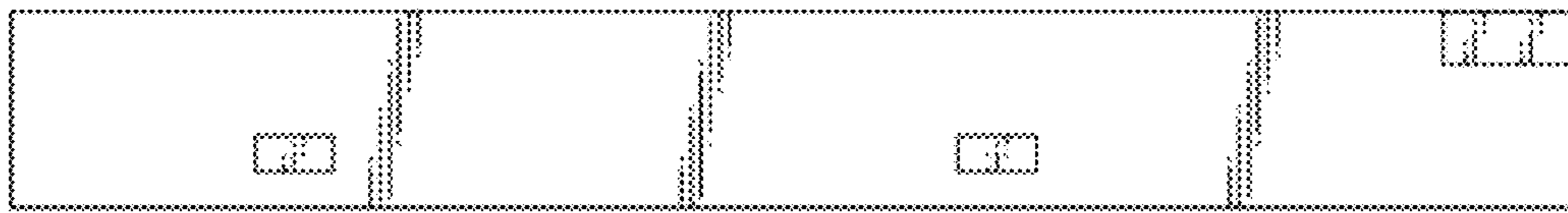


FIG. 3

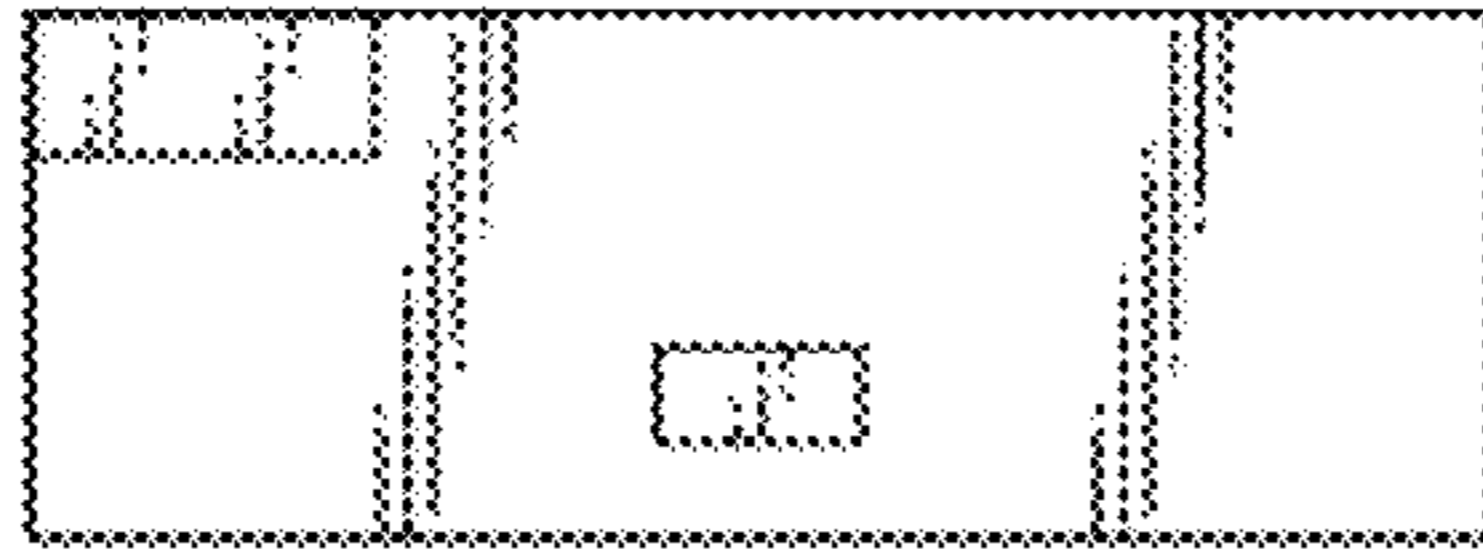


FIG. 4

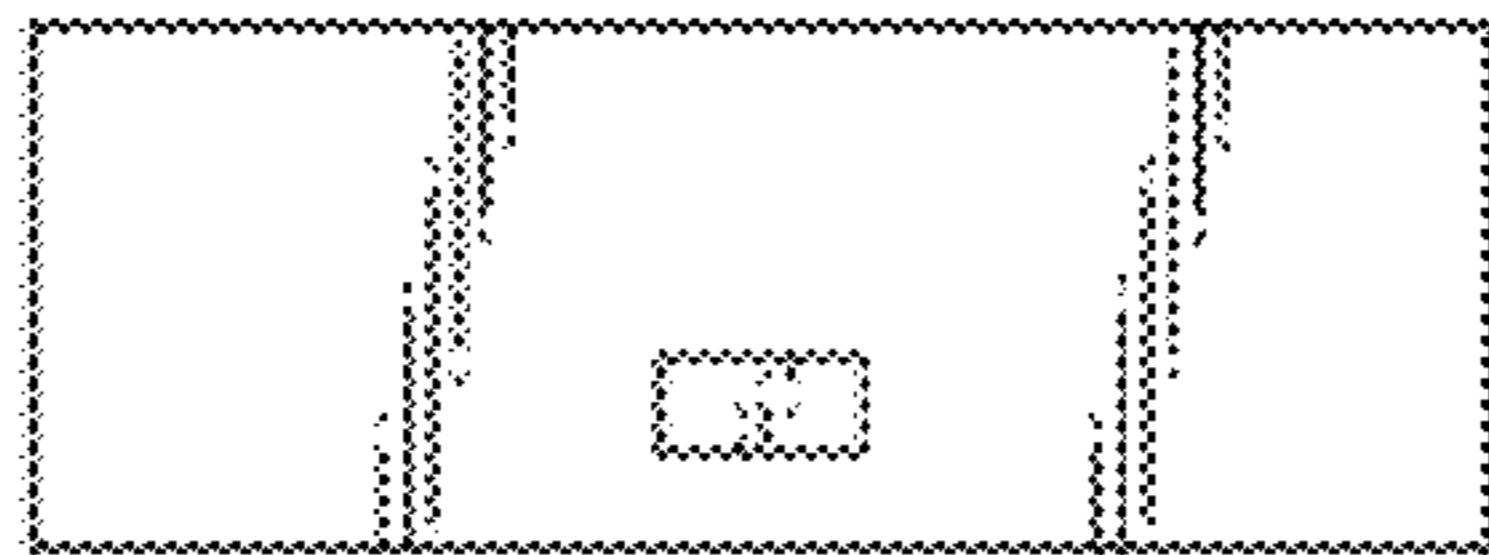


FIG. 5

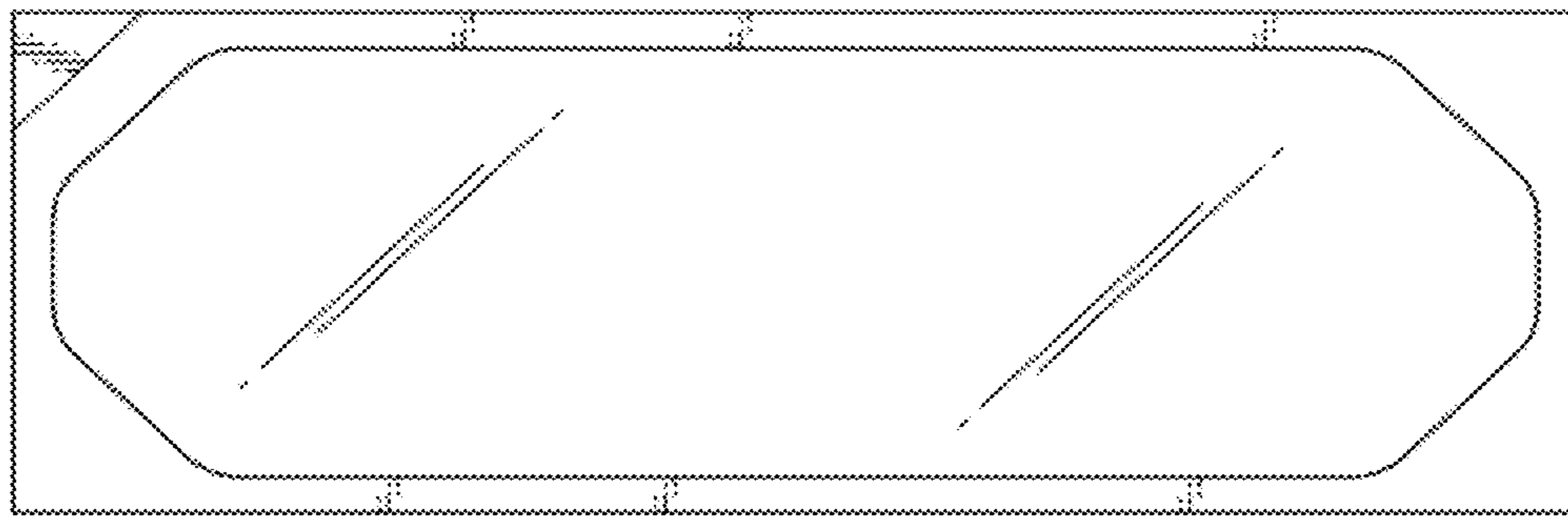


FIG.6

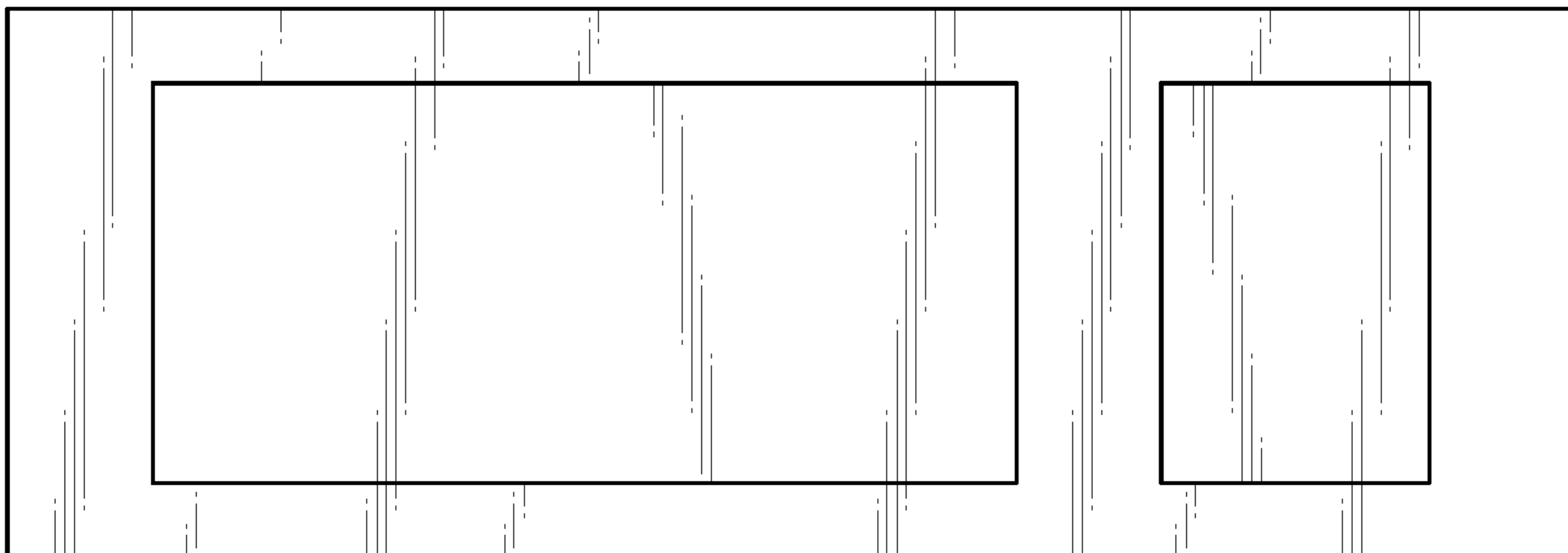


FIG. 7