

US00D664503S

(12) **United States Design Patent**
Yang et al.

(10) **Patent No.:** **US D664,503 S**

(45) **Date of Patent:** **** Jul. 31, 2012**

(54) **CARD CONNECTOR**

(75) Inventors: **Ou Yang**, Guang-Dong (CN); **Ping-Chih Chen**, New Taipei (TW); **Ming-Chiang Chen**, New Taipei (TW)

(73) Assignee: **Cheng Uei Precision Industry Co., Ltd.**, New Taipei (TW)

(**) Term: **14 Years**

(21) Appl. No.: **29/409,558**

(22) Filed: **Dec. 23, 2011**

(51) **LOC (9) Cl.** **13-03**

(52) **U.S. Cl.** **D13/147**

(58) **Field of Classification Search** D13/147,
D13/154, 184, 199; 439/64, 79, 159-160,
439/330, 331, 341, 342, 629, 630, 636, 660,
439/607.01, 607.04, 607.05, 607.17, 607.25,
439/607.34, 607.41, 607.53, 862, 884, 946
See application file for complete search history.

(56) **References Cited**

U.S. PATENT DOCUMENTS

D523,860 S * 6/2006 Xu et al. D14/436
D570,291 S * 6/2008 Zhang D13/147
D588,994 S * 3/2009 Hung et al. D13/147

D593,953 S * 6/2009 Su et al. D13/147
D596,128 S * 7/2009 Hung et al. D13/147
D649,117 S * 11/2011 Sasaki et al. D13/147
2007/0128922 A1 * 6/2007 Lee 439/493

* cited by examiner

Primary Examiner — Daniel Bui

(74) *Attorney, Agent, or Firm* — Cheng-Ju Chiang

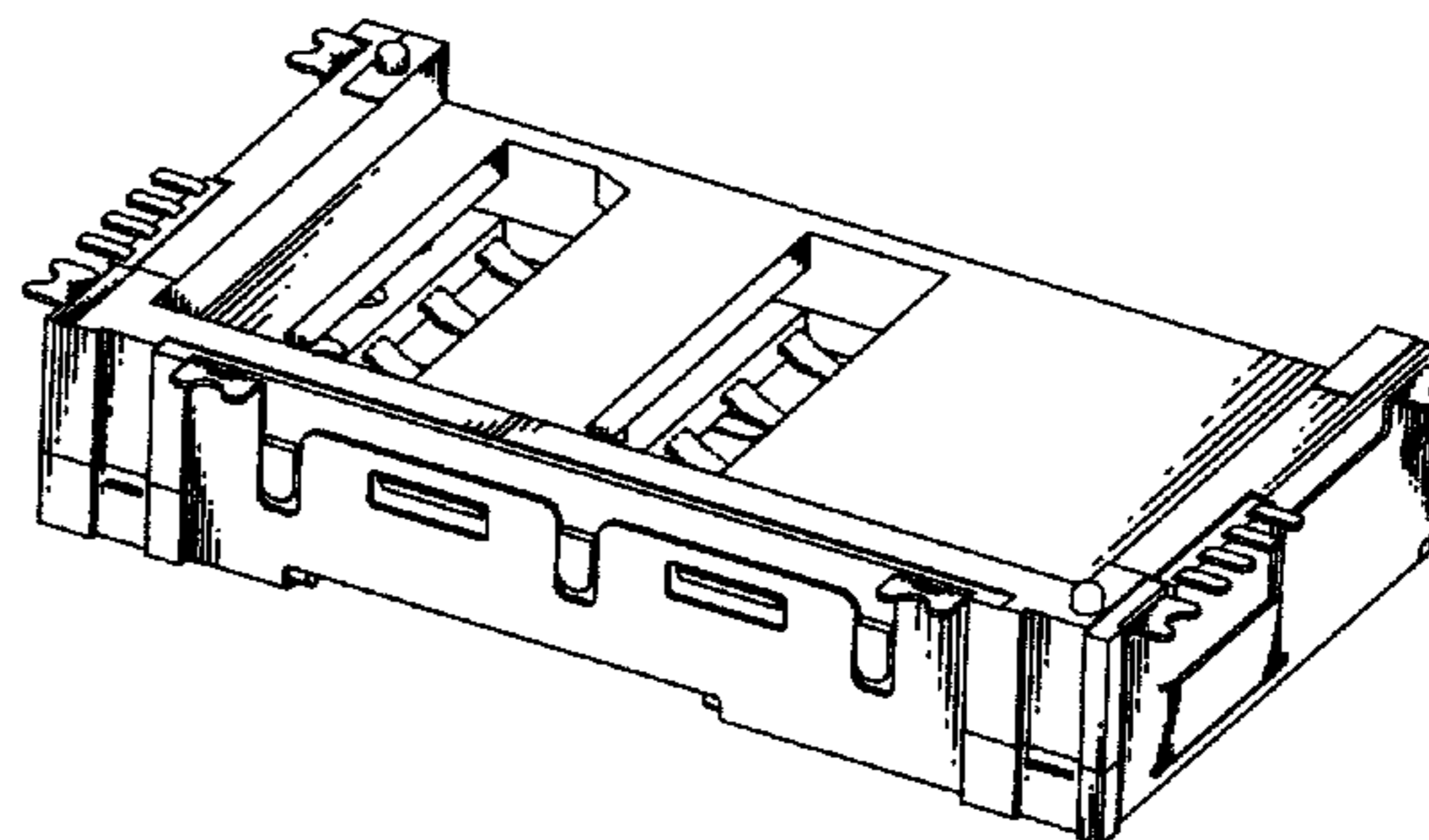
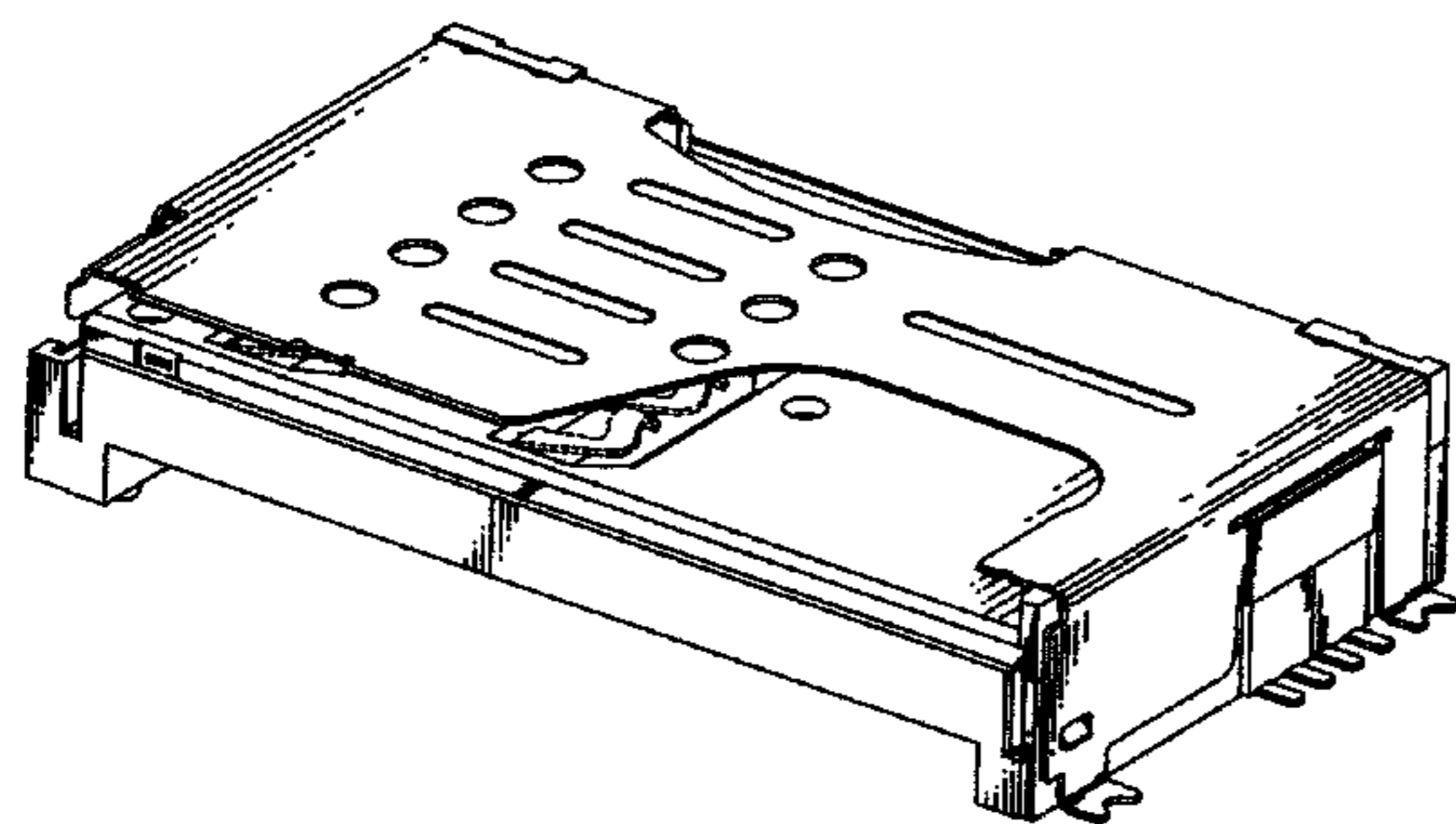
(57) **CLAIM**

The ornamental design for a card connector, as shown and described.

DESCRIPTION

FIG. 1 is a perspective view of a card connector showing our new design;
FIG. 2 is a front elevational view thereof;
FIG. 3 is a rear elevational view thereof;
FIG. 4 is a left side elevational view thereof;
FIG. 5 is a right side elevational view thereof;
FIG. 6 is a top plan view thereof;
FIG. 7 is a bottom plan view thereof; and,
FIG. 8 is another perspective view of the card connector showing our new design.
The broken line portion of the figure drawings is included to show unclaimed subject matter only and forms no part of the claimed design.

1 Claim, 8 Drawing Sheets



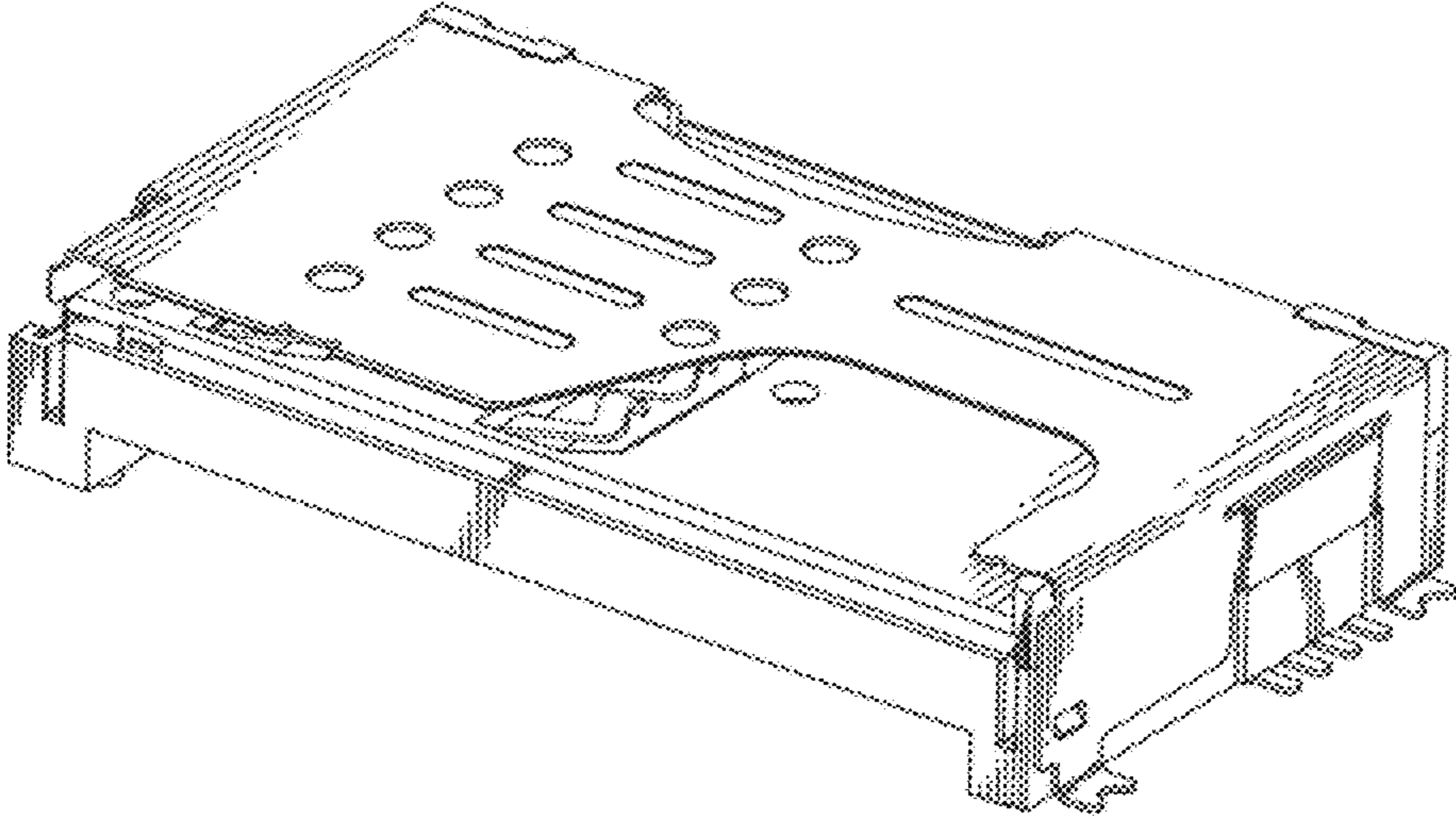


FIG. 1

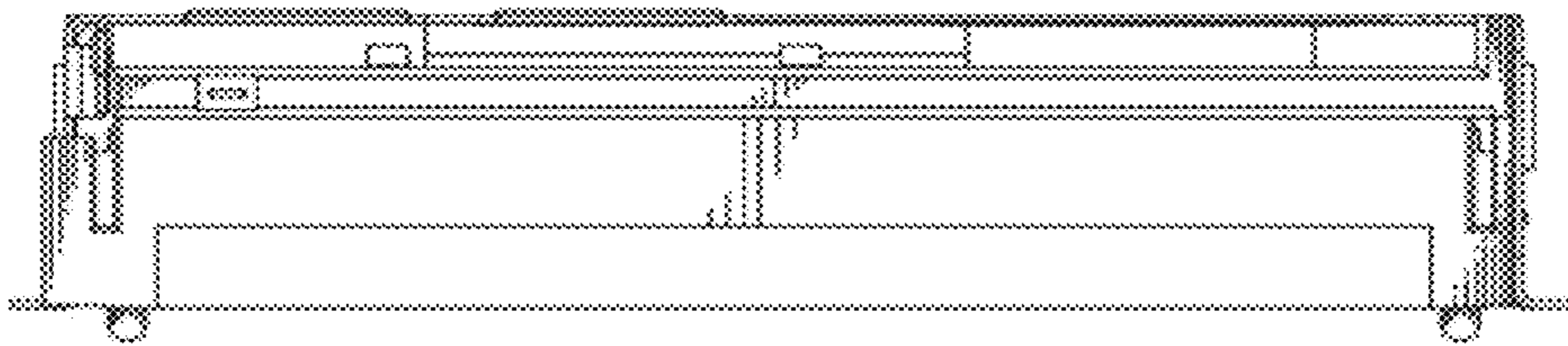


FIG. 2

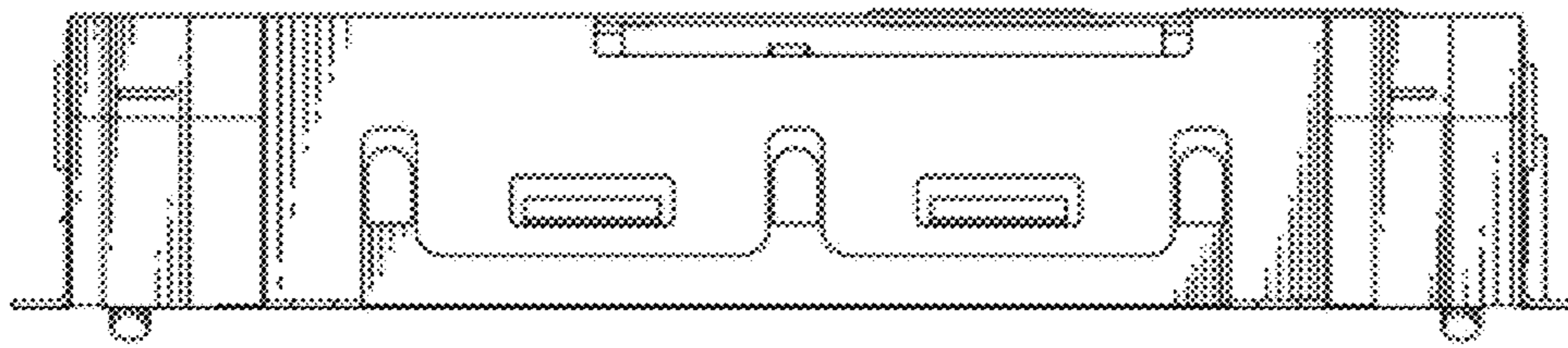


FIG. 3

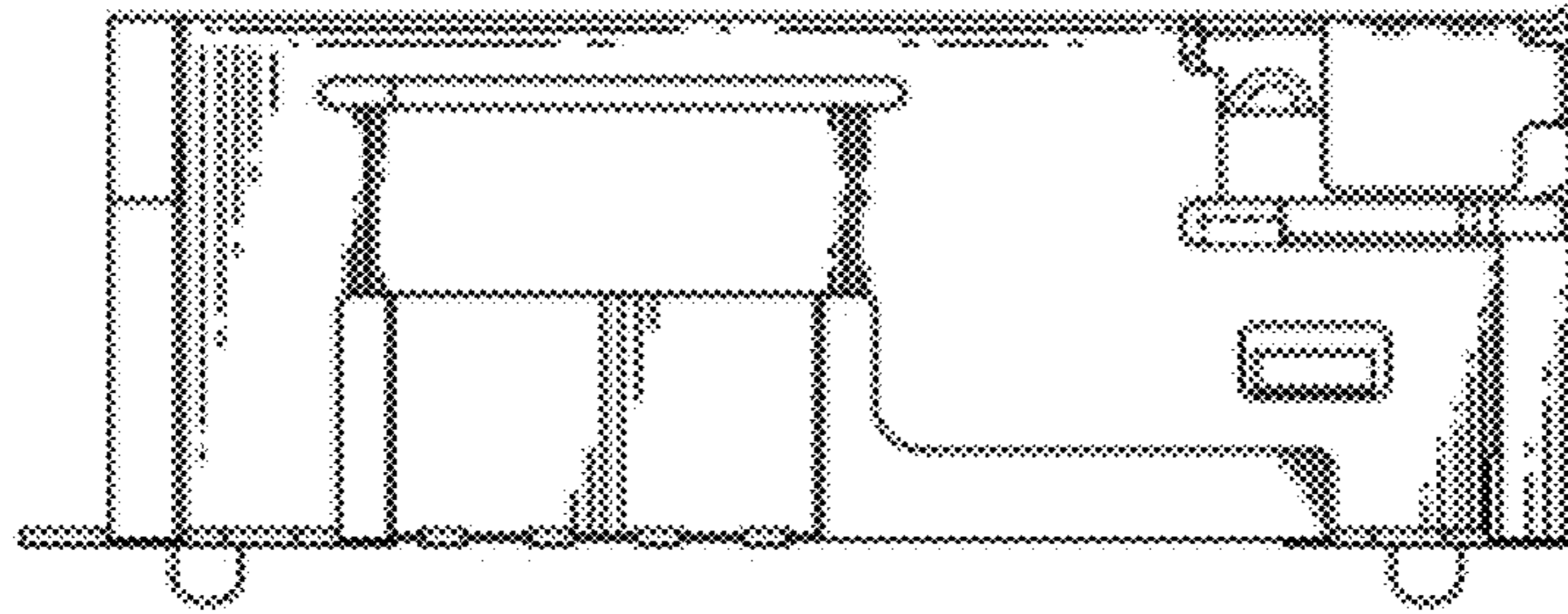


FIG. 4

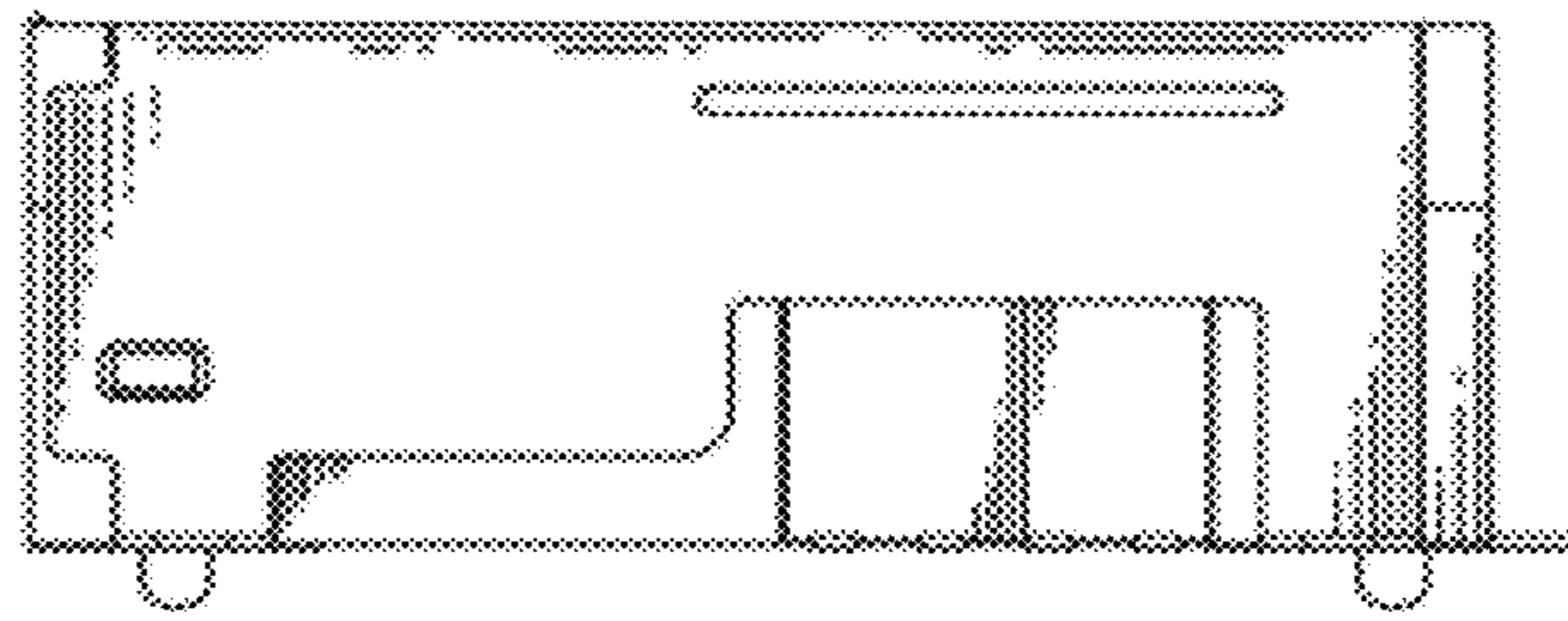


FIG. 5

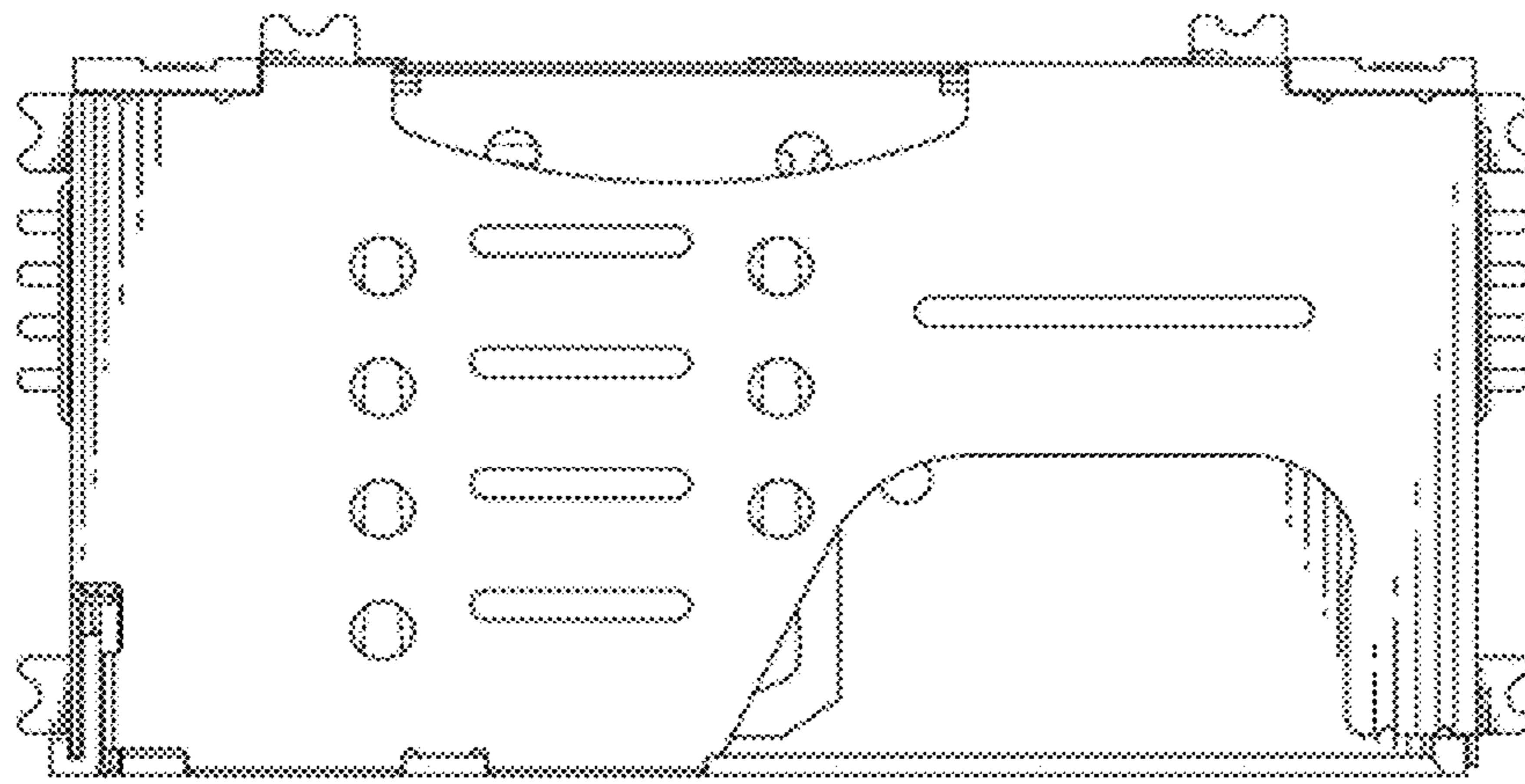


FIG. 6

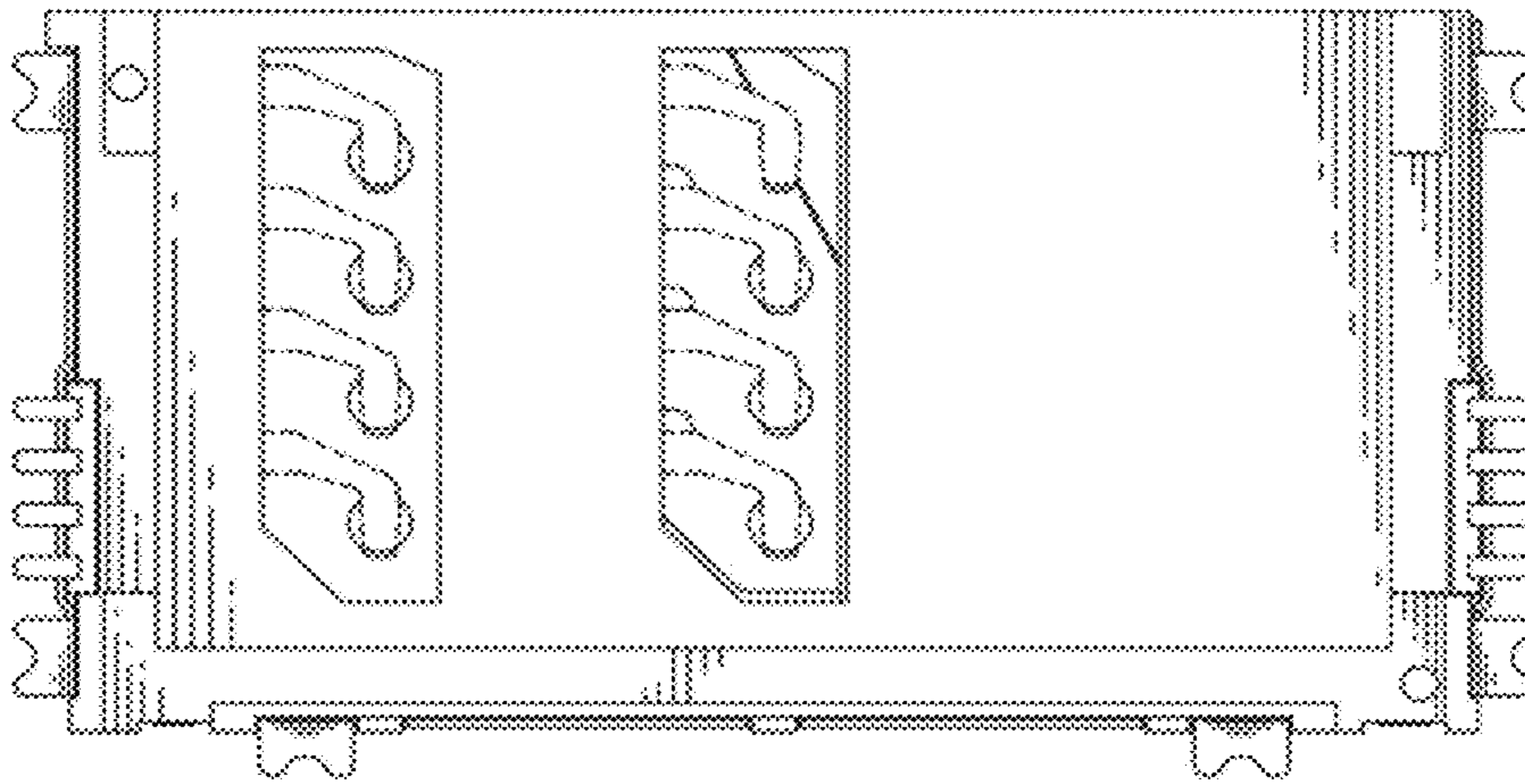


FIG. 7

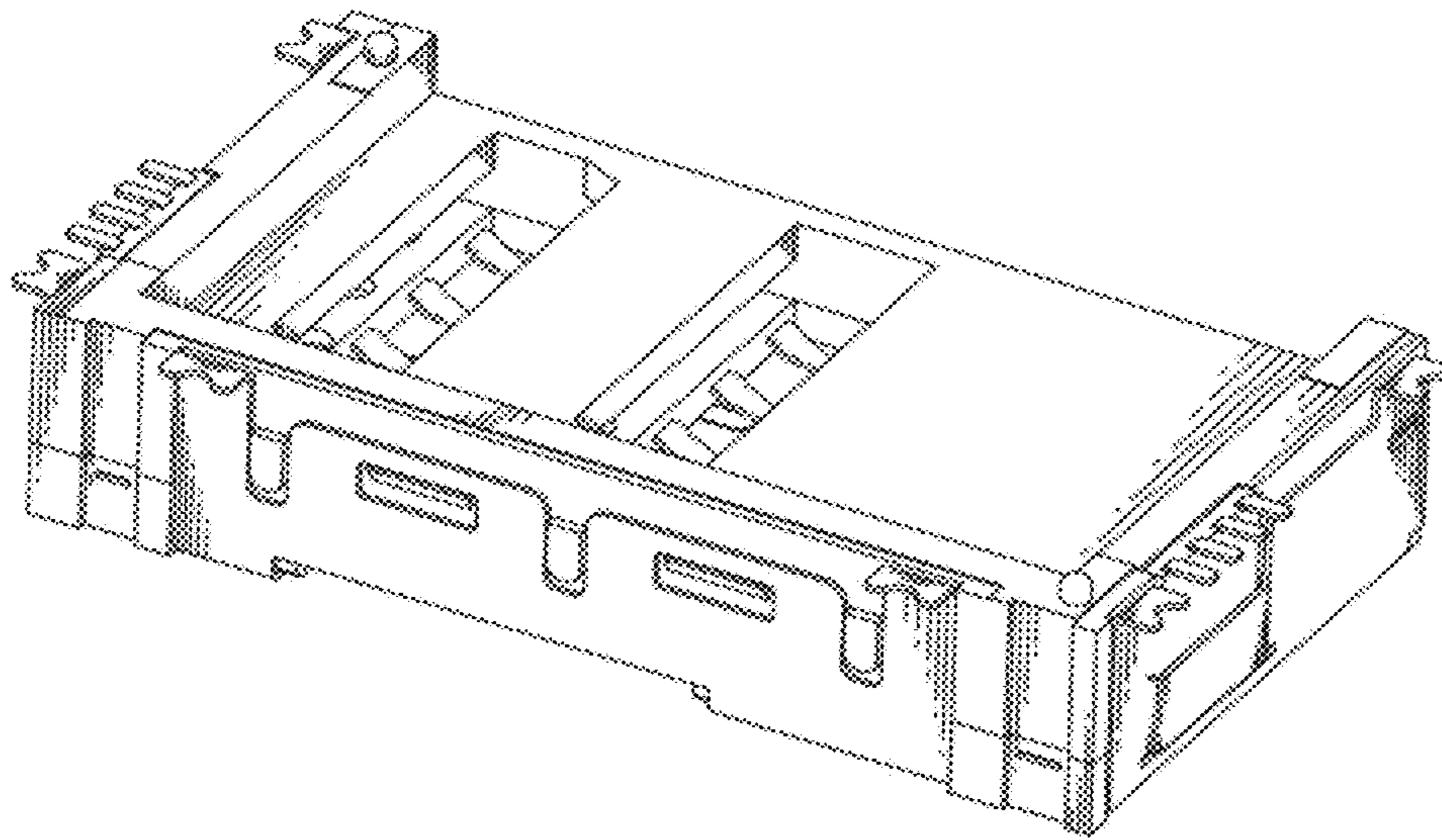


FIG. 8