



US00D664502S

(12) **United States Design Patent**
Inskeep

(10) **Patent No.:** **US D664,502 S**
(45) **Date of Patent:** **** Jul. 31, 2012**

(54) **JUMP STARTER**

Primary Examiner — Rosemary K Tarcza

(76) Inventor: **Mathew Inskeep**, Boca Raton, FL (US)

(**) Term: **14 Years**

(21) Appl. No.: **29/418,984**

(22) Filed: **Apr. 24, 2012**

(51) **LOC (9) Cl.** **13-02**

(52) **U.S. Cl.** **D13/107**

(58) **Field of Classification Search** D13/106–110,
D13/118–119, 184, 199; D14/251, 253,
D14/432, 434; 320/103–115; D15/9
See application file for complete search history.

(56) **References Cited**

U.S. PATENT DOCUMENTS

D464,935 S *	10/2002	Krieger et al.	D13/110
D518,769 S *	4/2006	Kurth	D13/107
D609,634 S *	2/2010	Daniels et al.	D13/107
D609,635 S *	2/2010	Daniels et al.	D13/107
D624,493 S *	9/2010	Daniels et al.	D13/107
D624,876 S *	10/2010	Daniels et al.	D13/107
D624,877 S *	10/2010	Daniels et al.	D13/107

* cited by examiner

(57) **CLAIM**

I claim the ornamental design for a jump starter, as shown in the attached drawings.

DESCRIPTION

FIG. 1 is a top perspective view of the jump starter showing my new design.

FIG. 2 is a bottom perspective view.

FIG. 3 is an angled upright front view with electrical accessory covers opened.

FIG. 4 is a bottom perspective view with the cables unhinged.

FIG. 5 is an upright front view with electrical accessory covers closed.

FIG. 6 is a back view thereof.

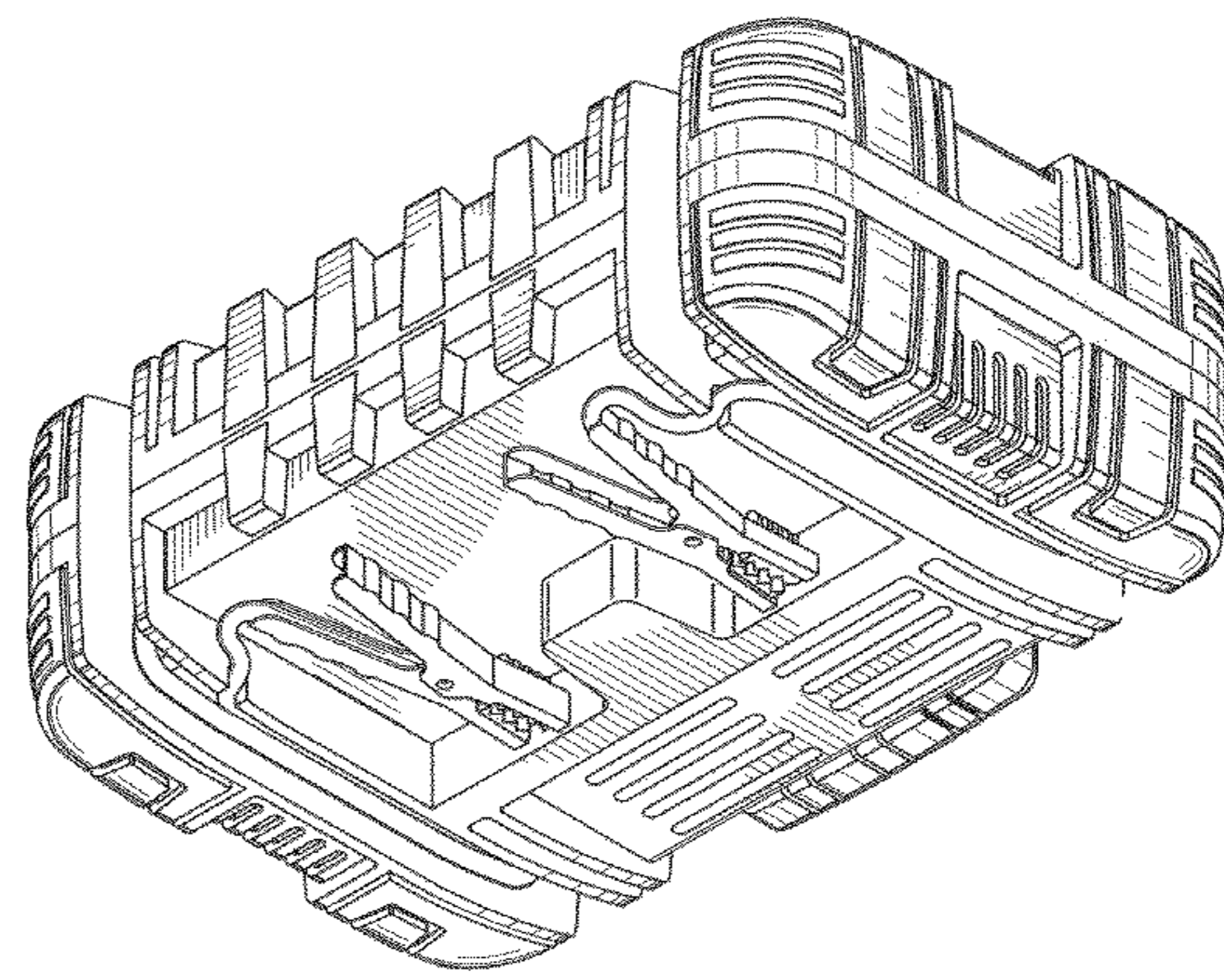
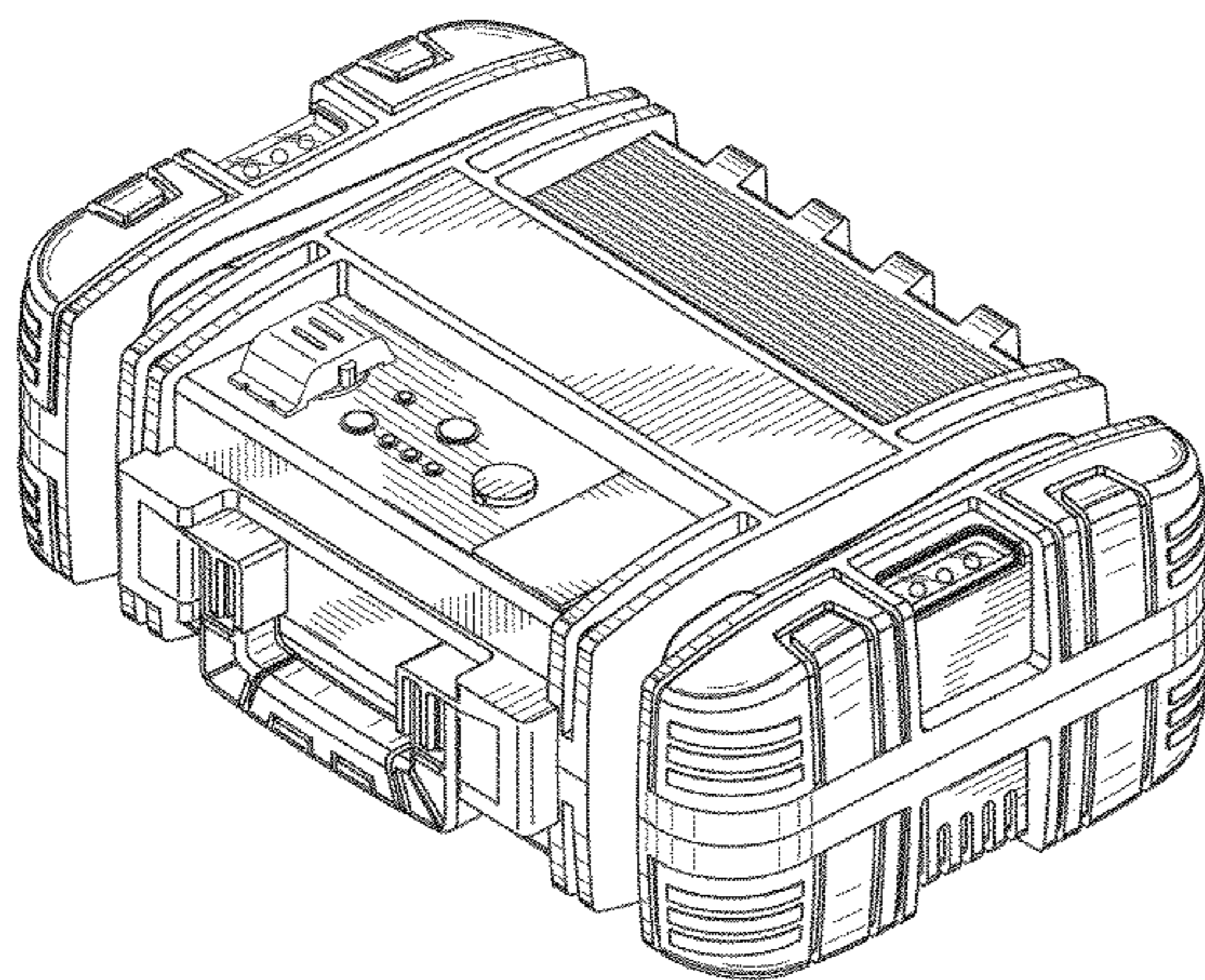
FIG. 7 is a top view thereof.

FIG. 8 is a bottom view thereof.

FIG. 9. is a right side view thereof; and,

FIG. 10. is a left side view thereof.

1 Claim, 8 Drawing Sheets



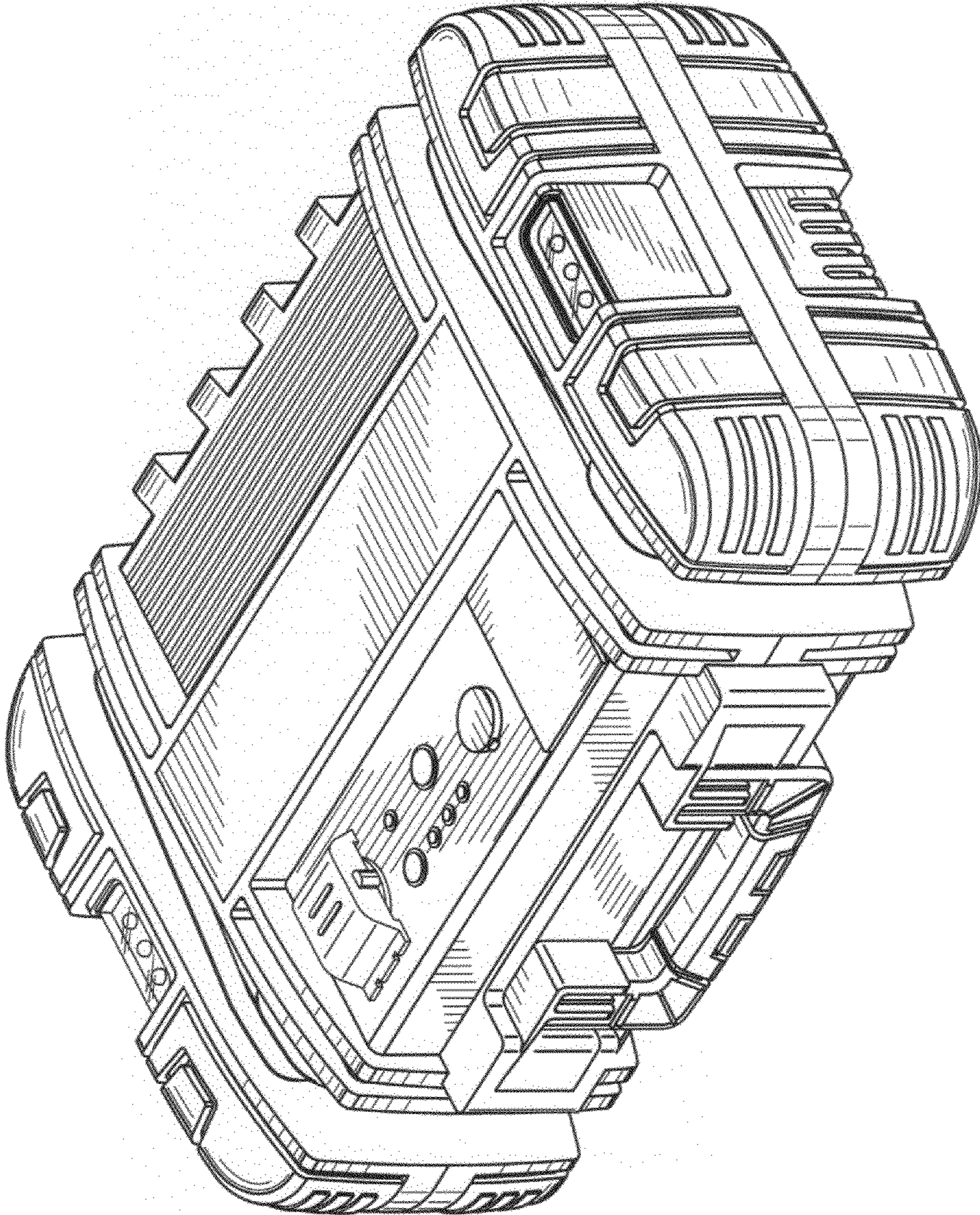


FIG. 1

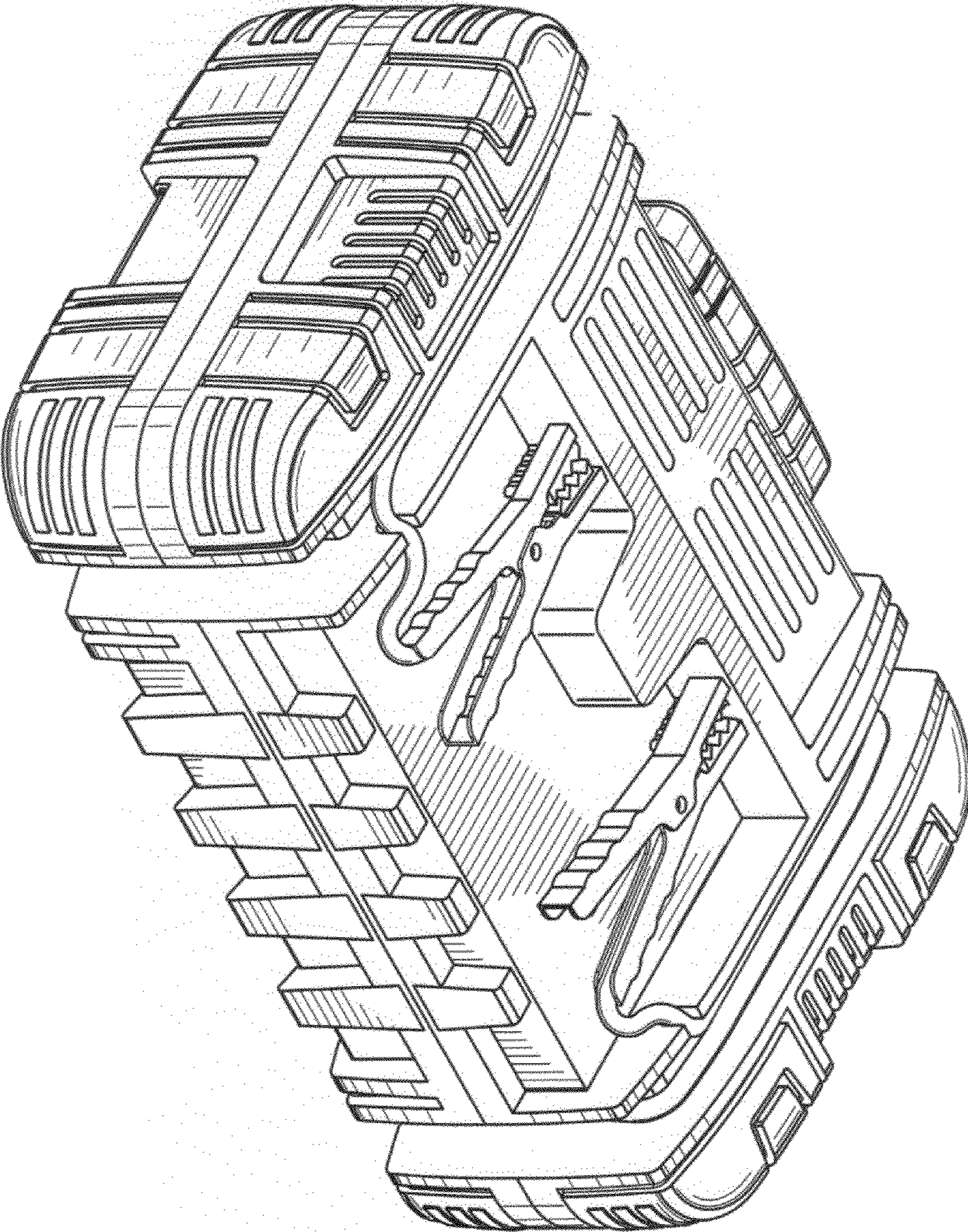


FIG. 2

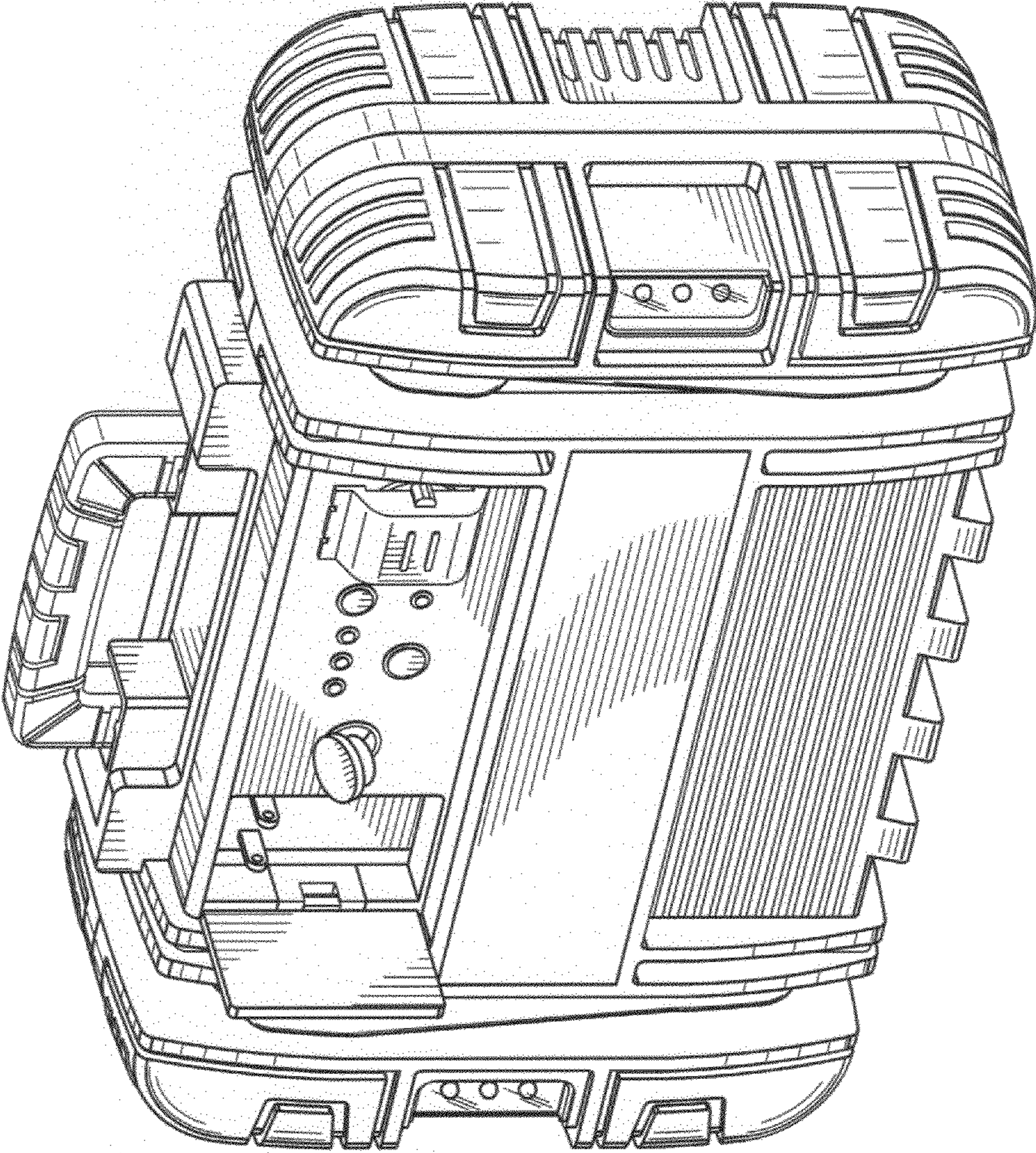


FIG. 3

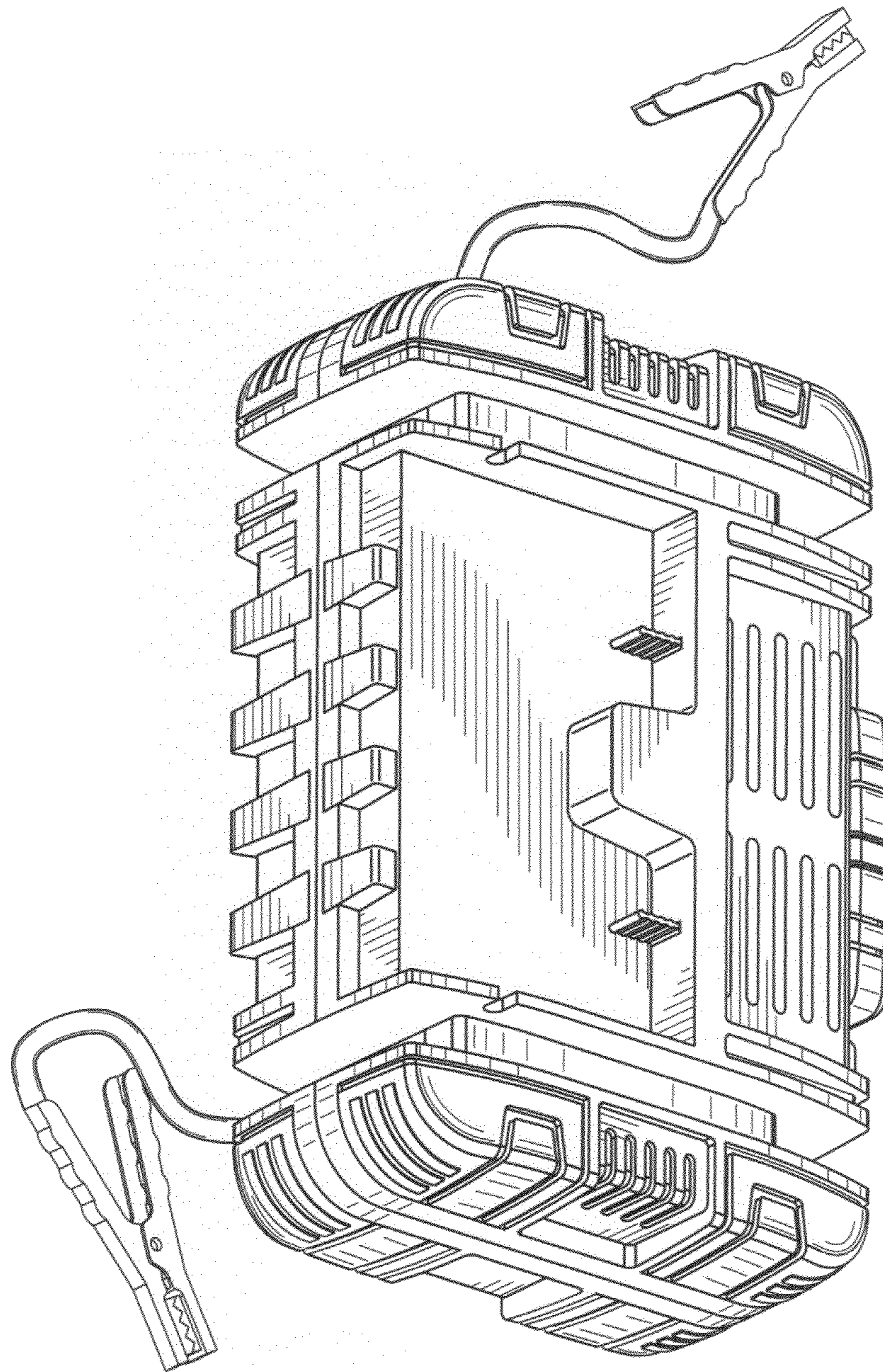


FIG. 4

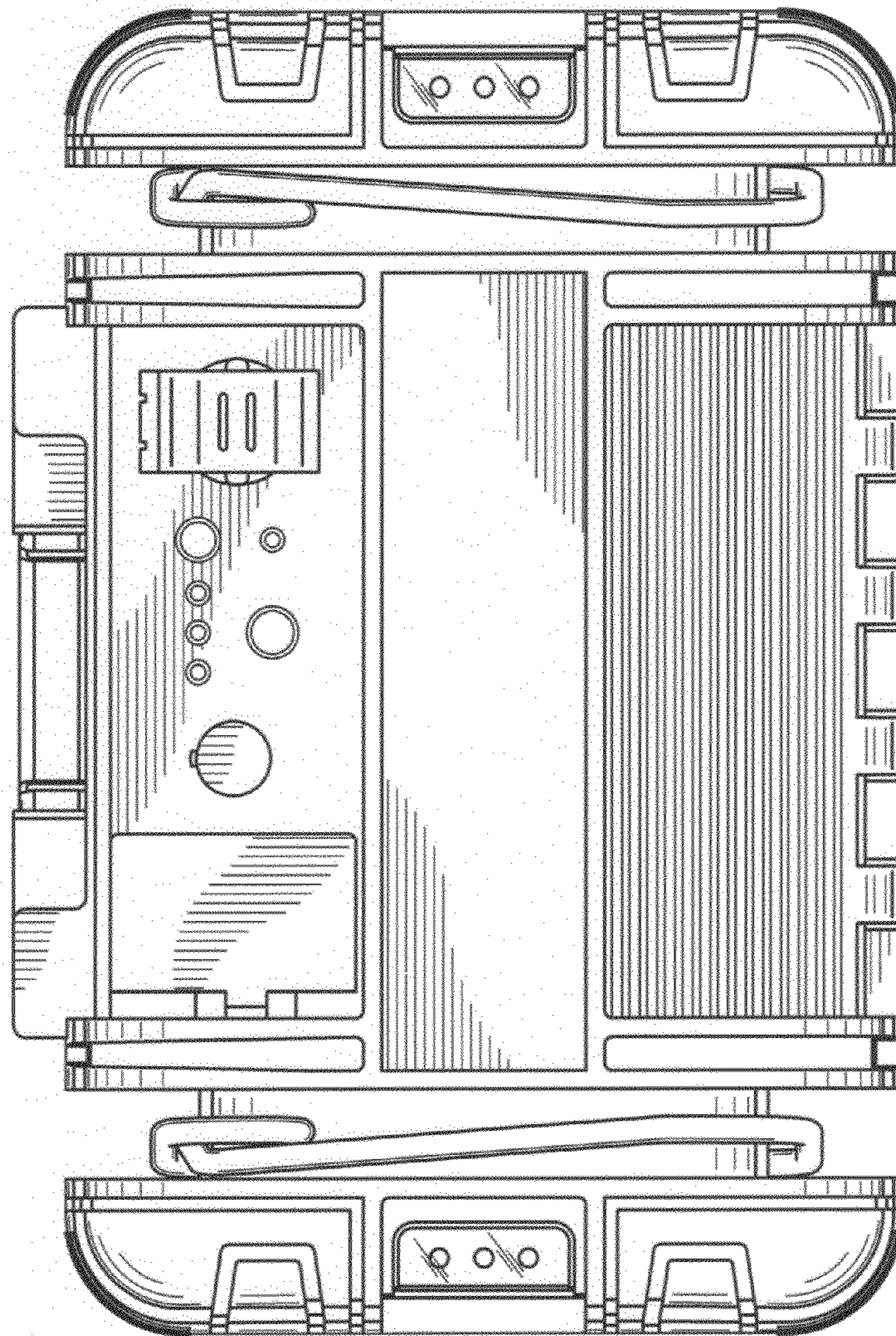


FIG. 5

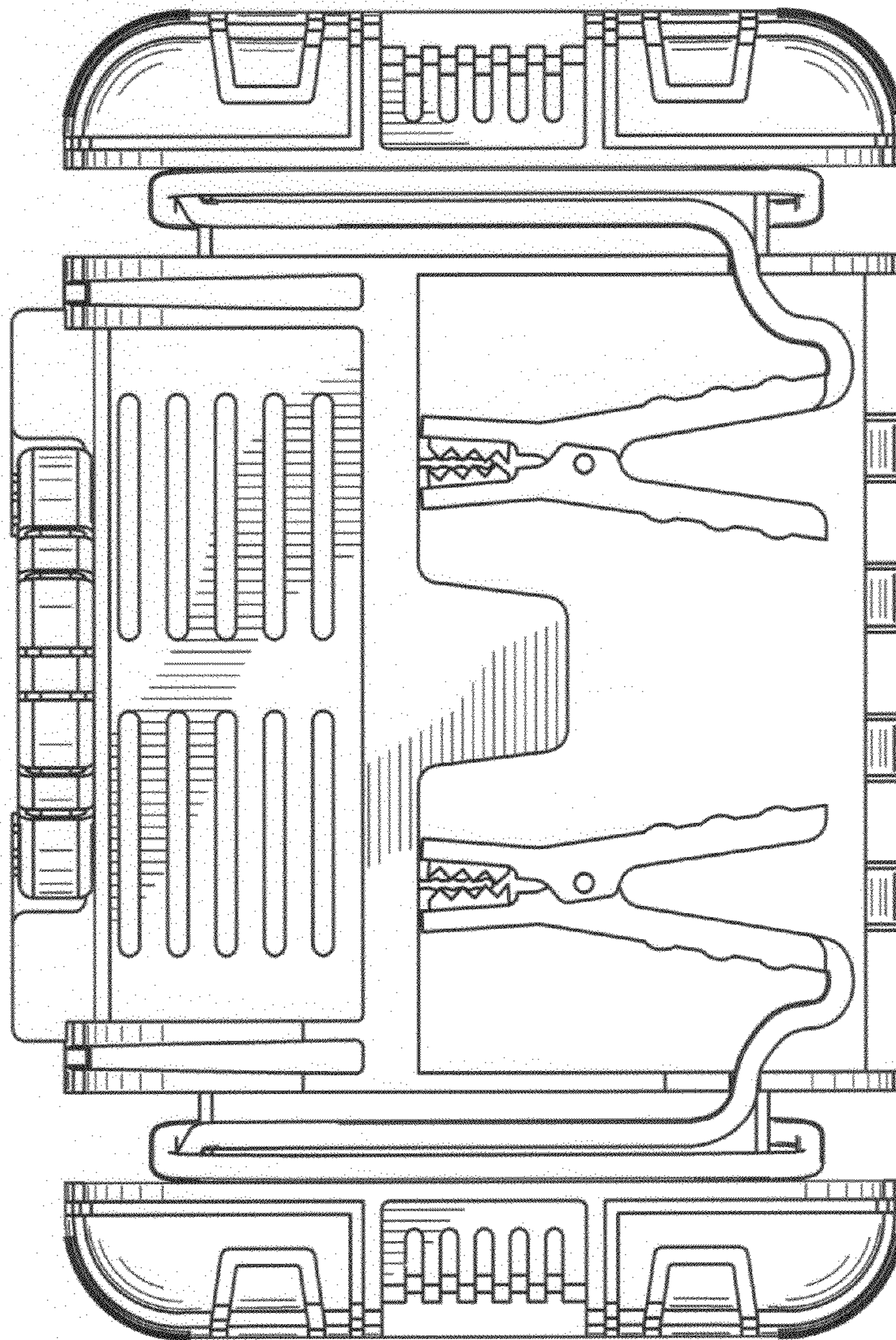


FIG. 6

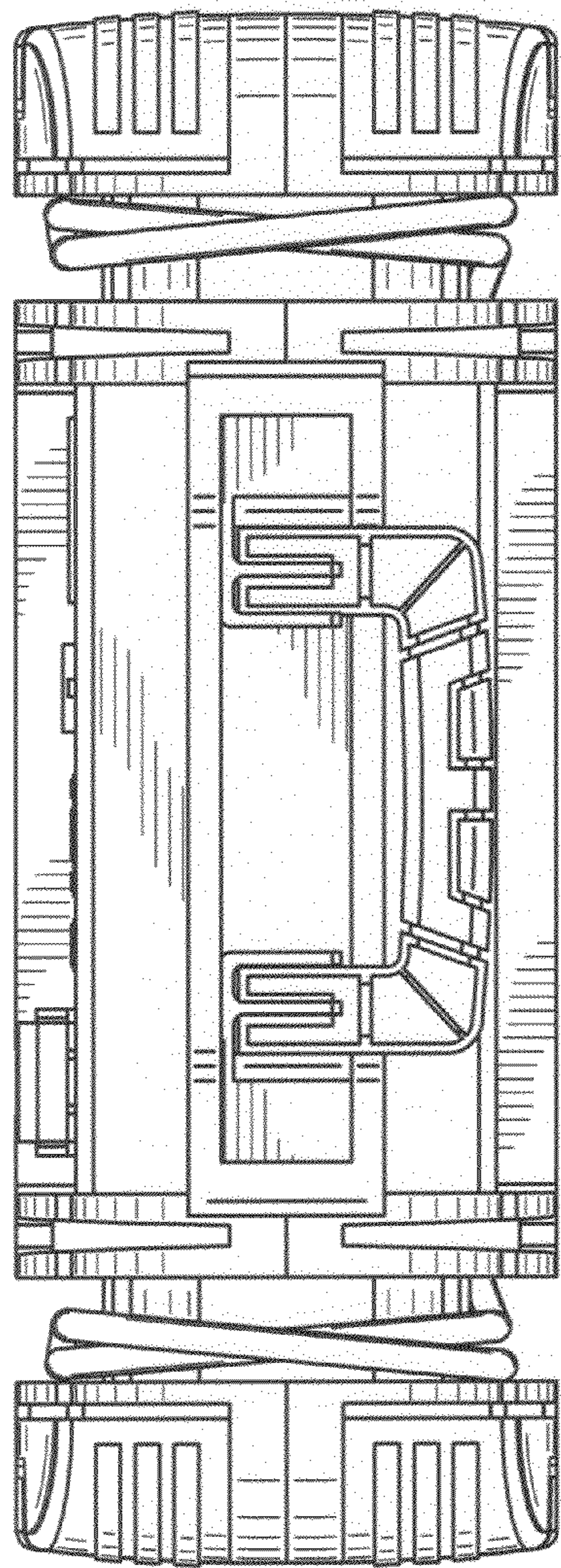


FIG. 7

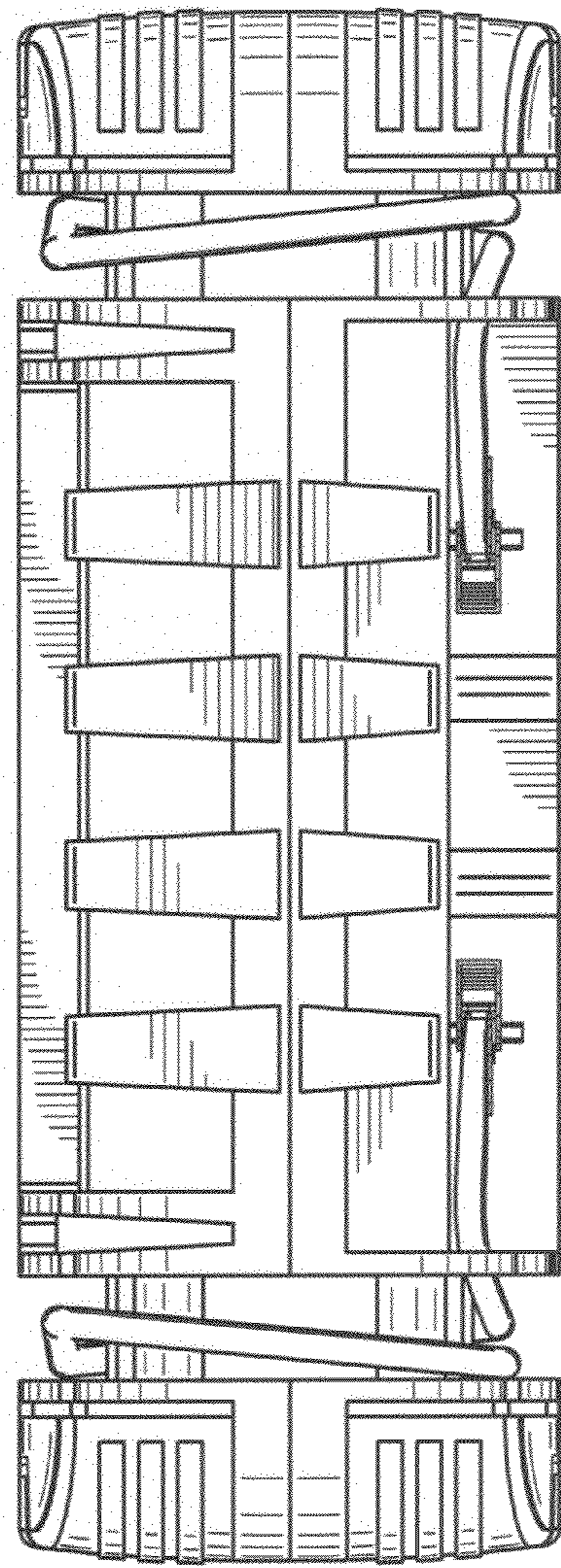


FIG. 8

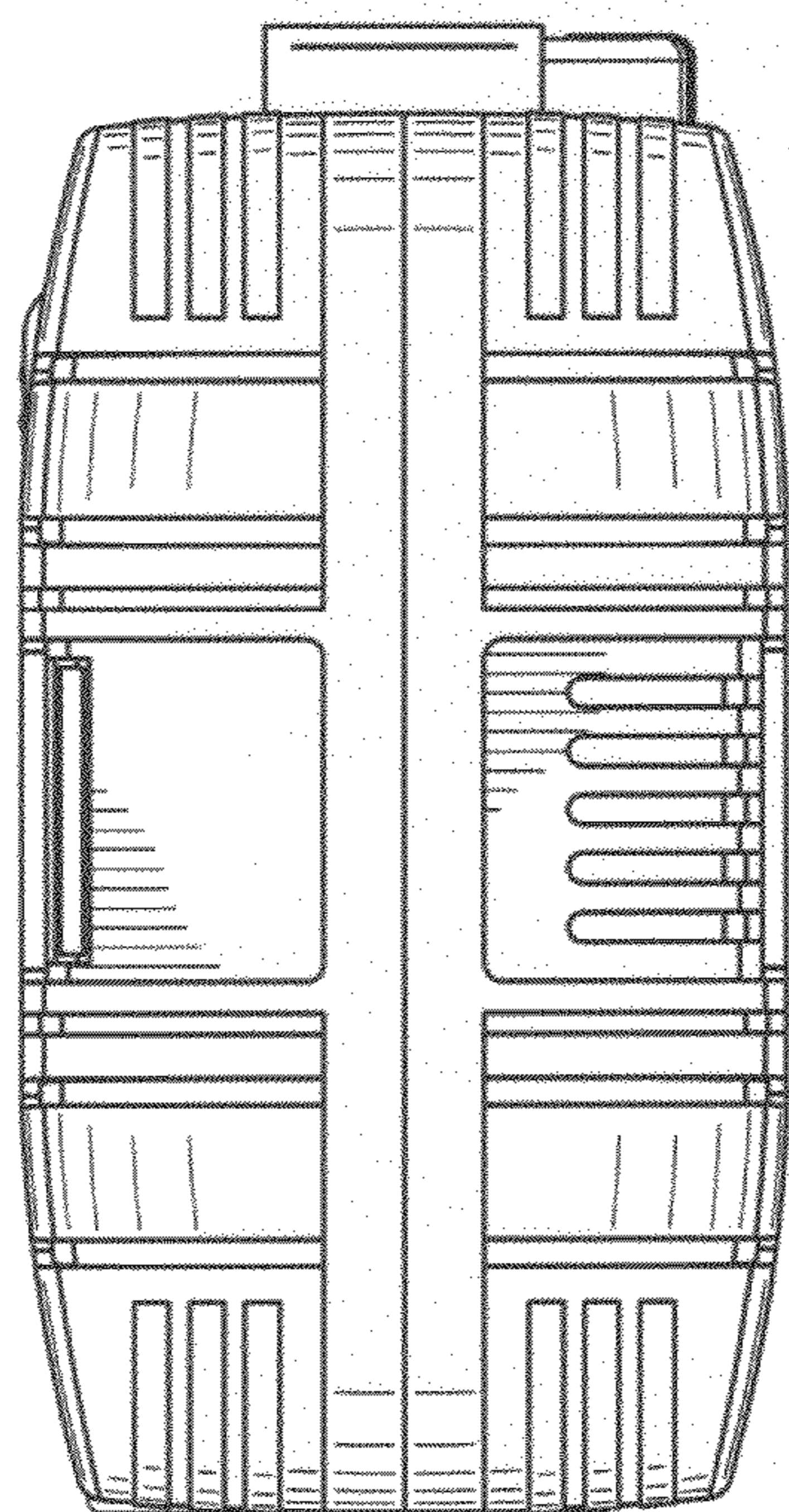


FIG. 9

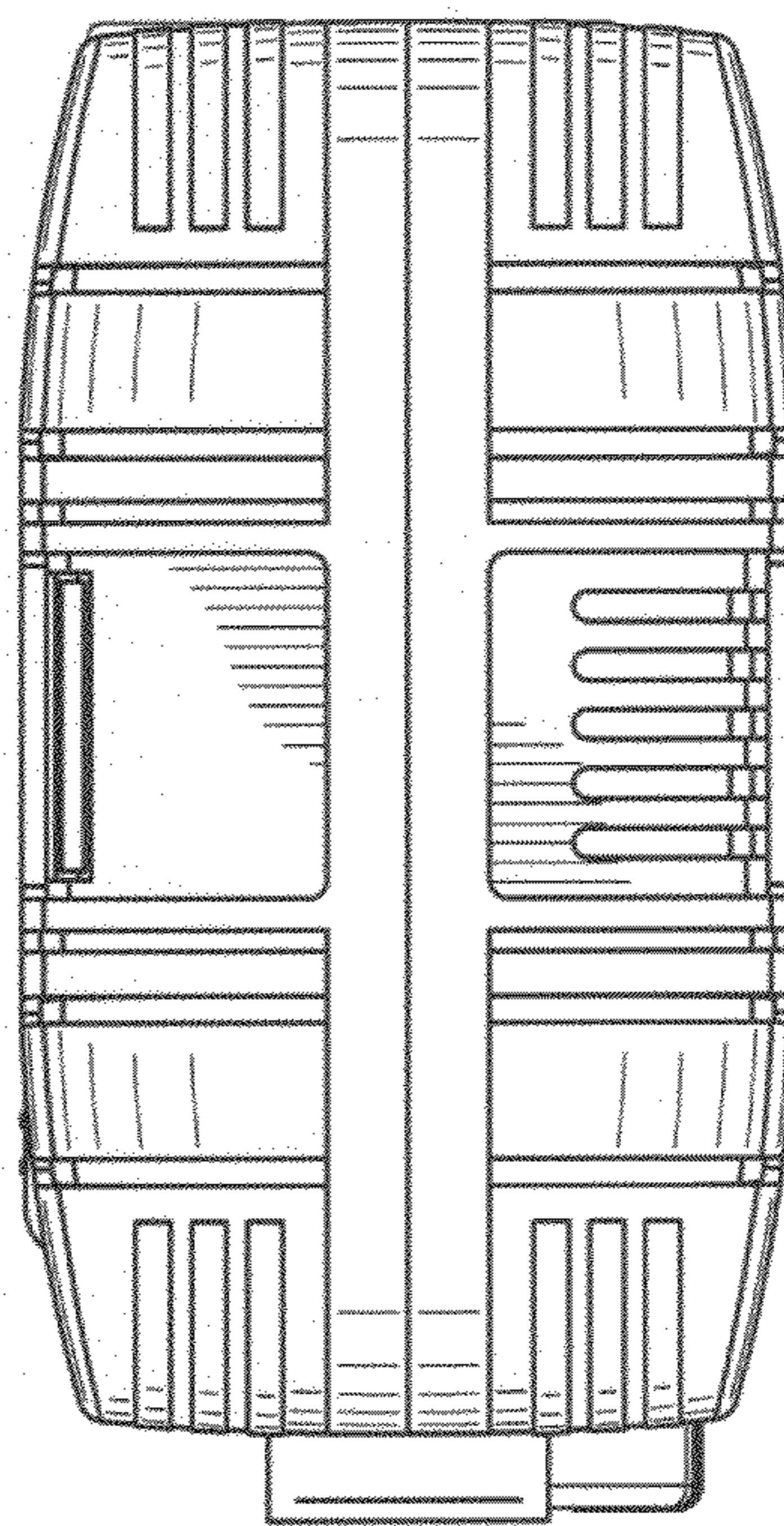


FIG. 10