



US00D664501S

(12) **United States Design Patent**
Inskeep

(10) **Patent No.:** **US D664,501 S**

(45) **Date of Patent:** **** Jul. 31, 2012**

(54) **BATTERY CHARGER**

(76) Inventor: **Mathew Inskeep**, Boca Raton, FL (US)

(**) Term: **14 Years**

(21) Appl. No.: **29/414,917**

(22) Filed: **Mar. 6, 2012**

(51) **LOC (9) Cl.** **13-02**

(52) **U.S. Cl.** **D13/107**

(58) **Field of Classification Search** D13/107-110,
D13/118-119, 184; D14/251, 253, 432,
D14/434; 320/107-115

See application file for complete search history.

(56) **References Cited**

U.S. PATENT DOCUMENTS

D375,483 S *	11/1996	Tashiro	D13/110
D537,410 S *	2/2007	Yuen	D13/110
D548,693 S *	8/2007	Krieger et al.	D13/110
D565,571 S *	4/2008	Trifilio et al.	D14/434
D581,356 S *	11/2008	Ahlgren	D13/107
D599,738 S *	9/2009	Amidei et al.	D13/110

D617,267 S *	6/2010	Li	D13/107
D627,719 S *	11/2010	DuMelle et al.	D13/110
D654,854 S *	2/2012	Inskeep	D13/107
2011/0074340 A1 *	3/2011	Kao	320/107

* cited by examiner

Primary Examiner — Rosemary K Tarcza

(57) **CLAIM**

I claim the ornamental design for a battery charger, as shown and described.

DESCRIPTION

FIG. 1 is a top perspective view of the battery charger showing my new design.

FIG. 2 is a bottom perspective view.

FIG. 3 is a top view.

FIG. 4 is a bottom view.

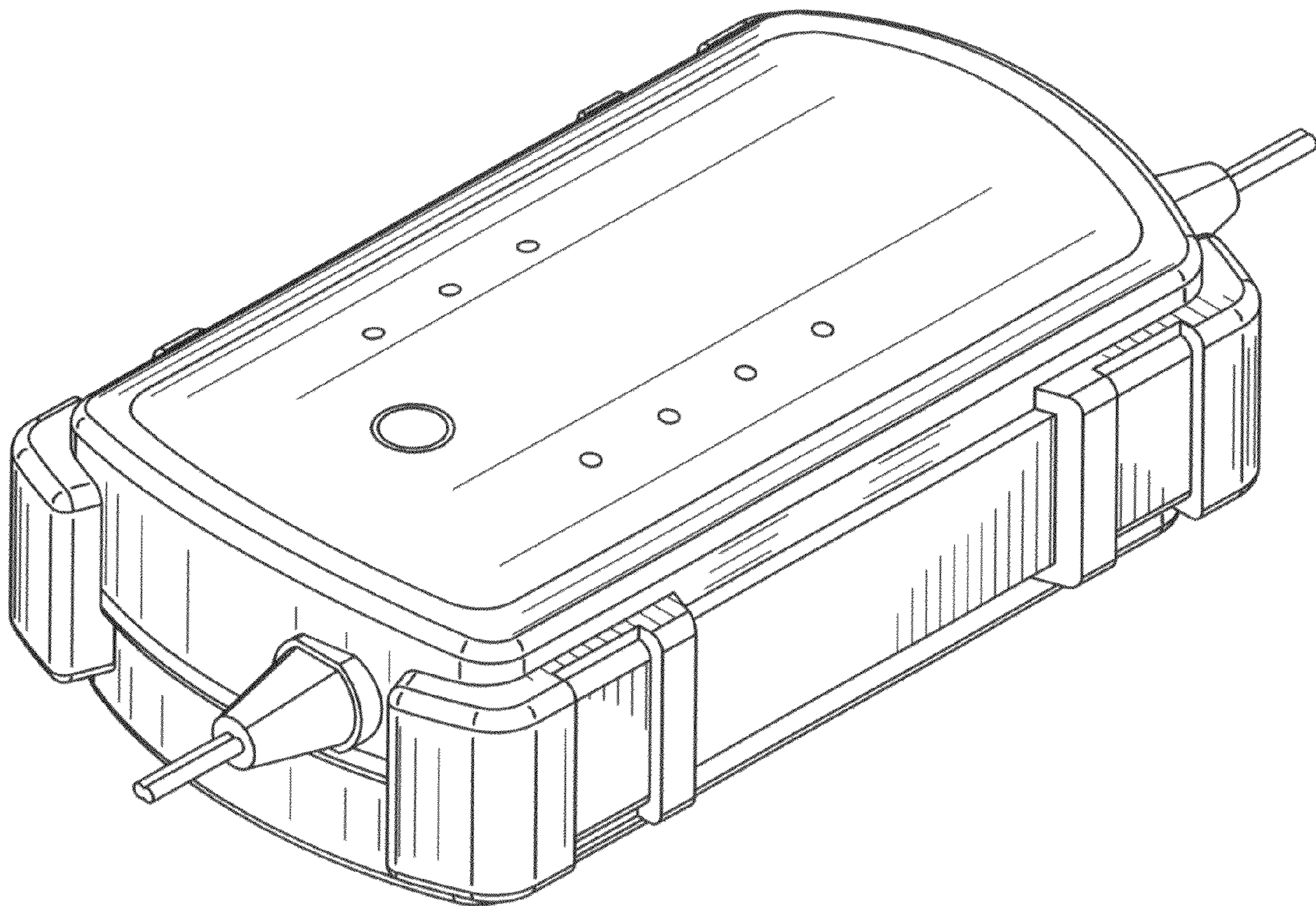
FIG. 5 is a right side view thereof.

FIG. 6 is a left side view thereof.

FIG. 7 is a front view thereof; and,

FIG. 8 is a back view thereof.

1 Claim, 6 Drawing Sheets



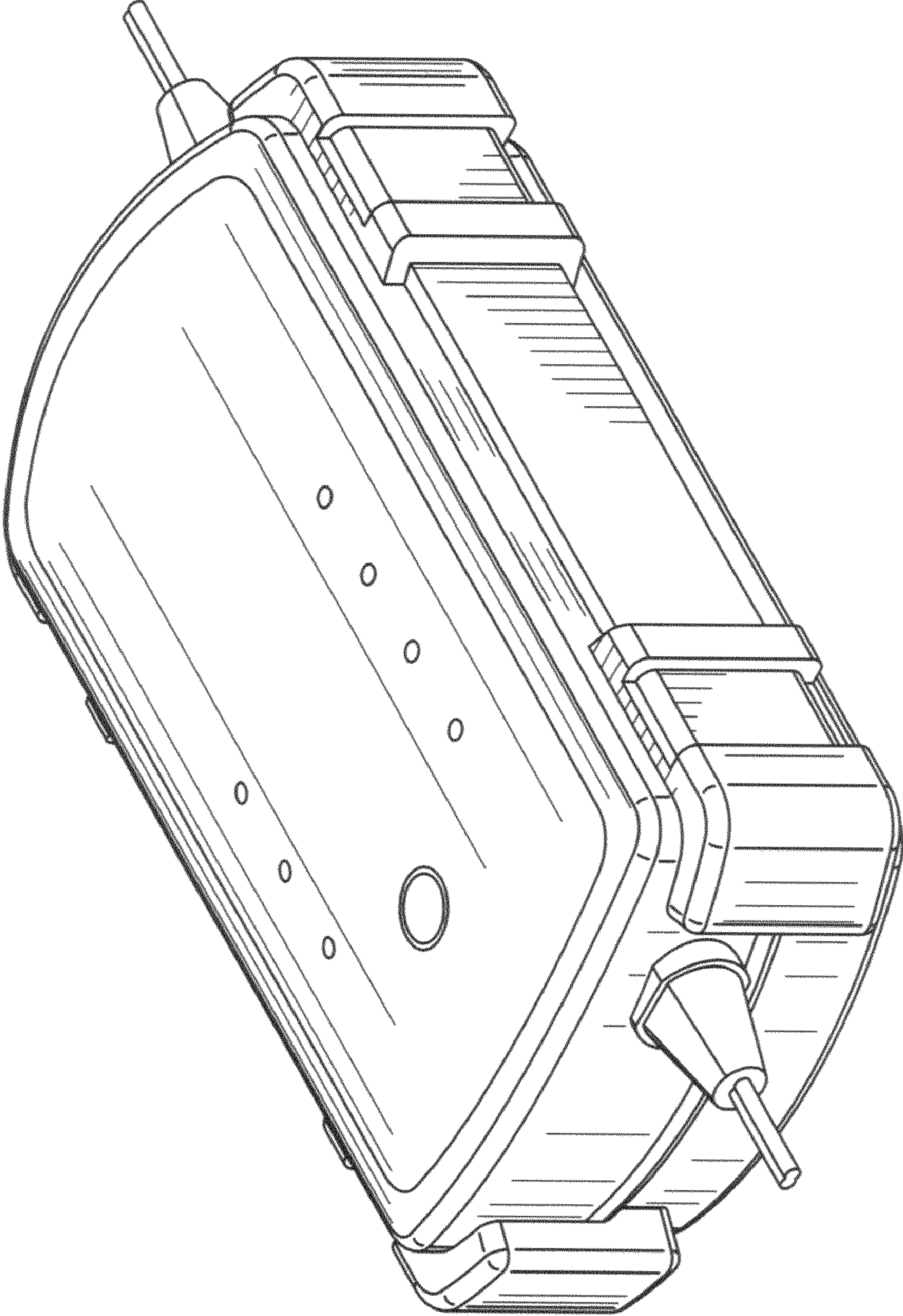


FIG. 1

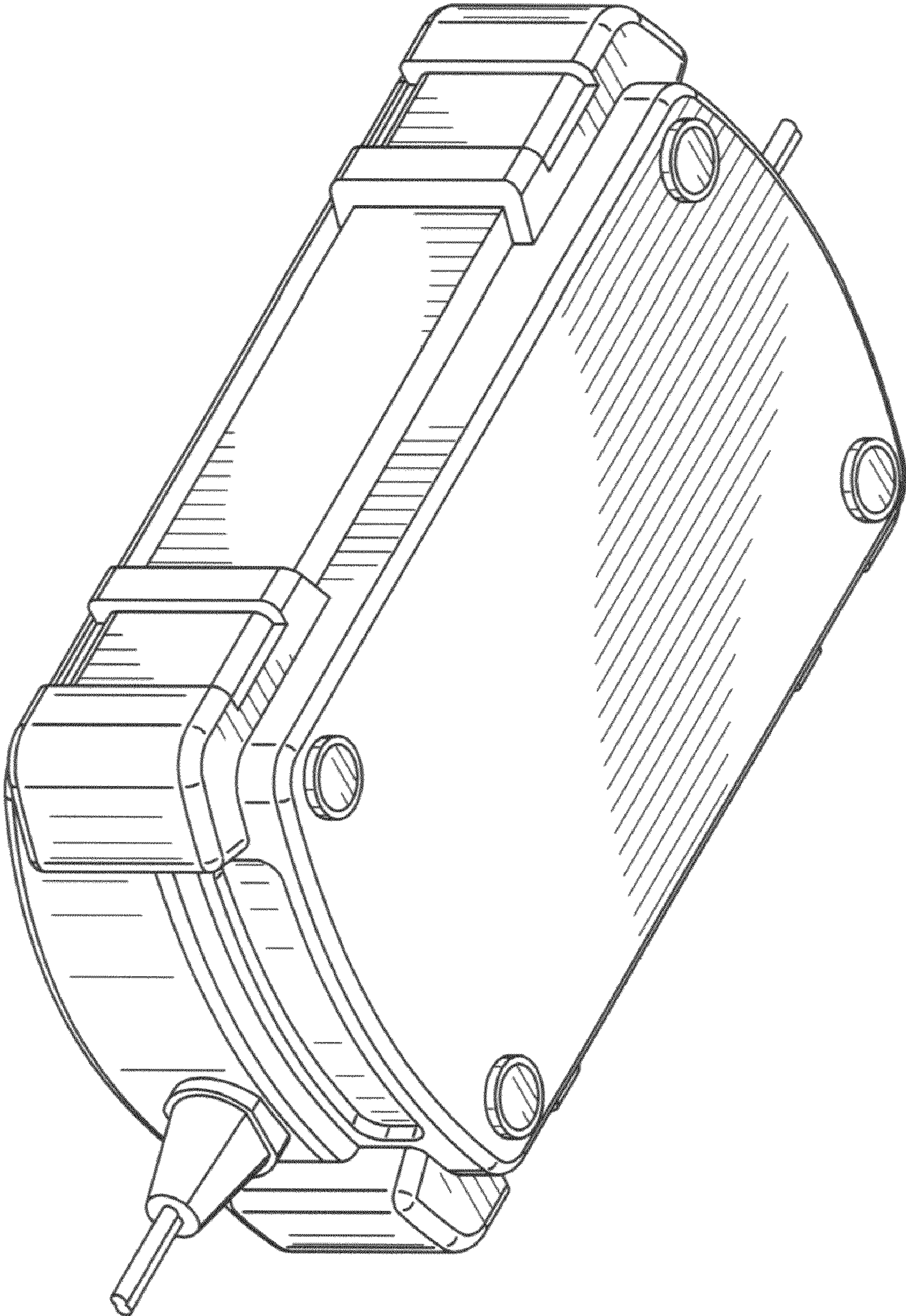


FIG. 2

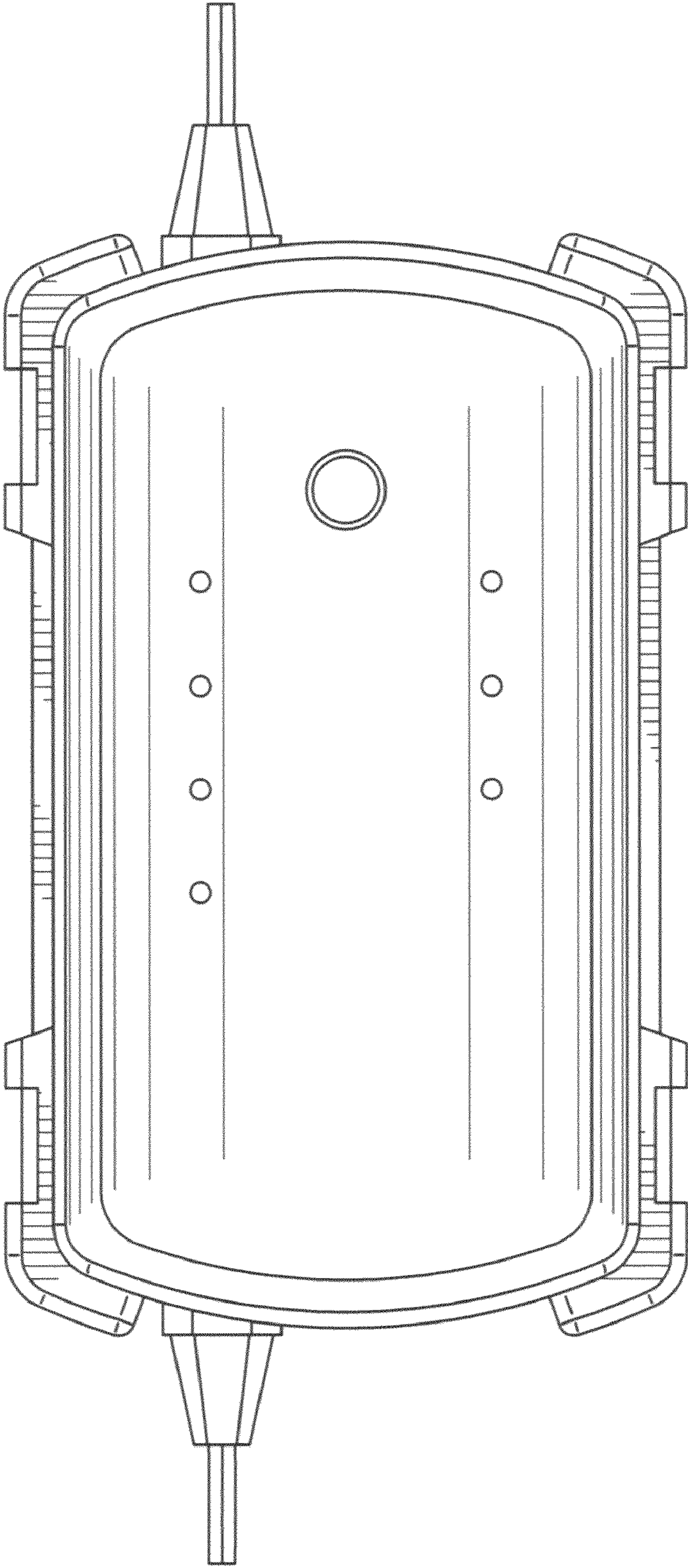


FIG. 3

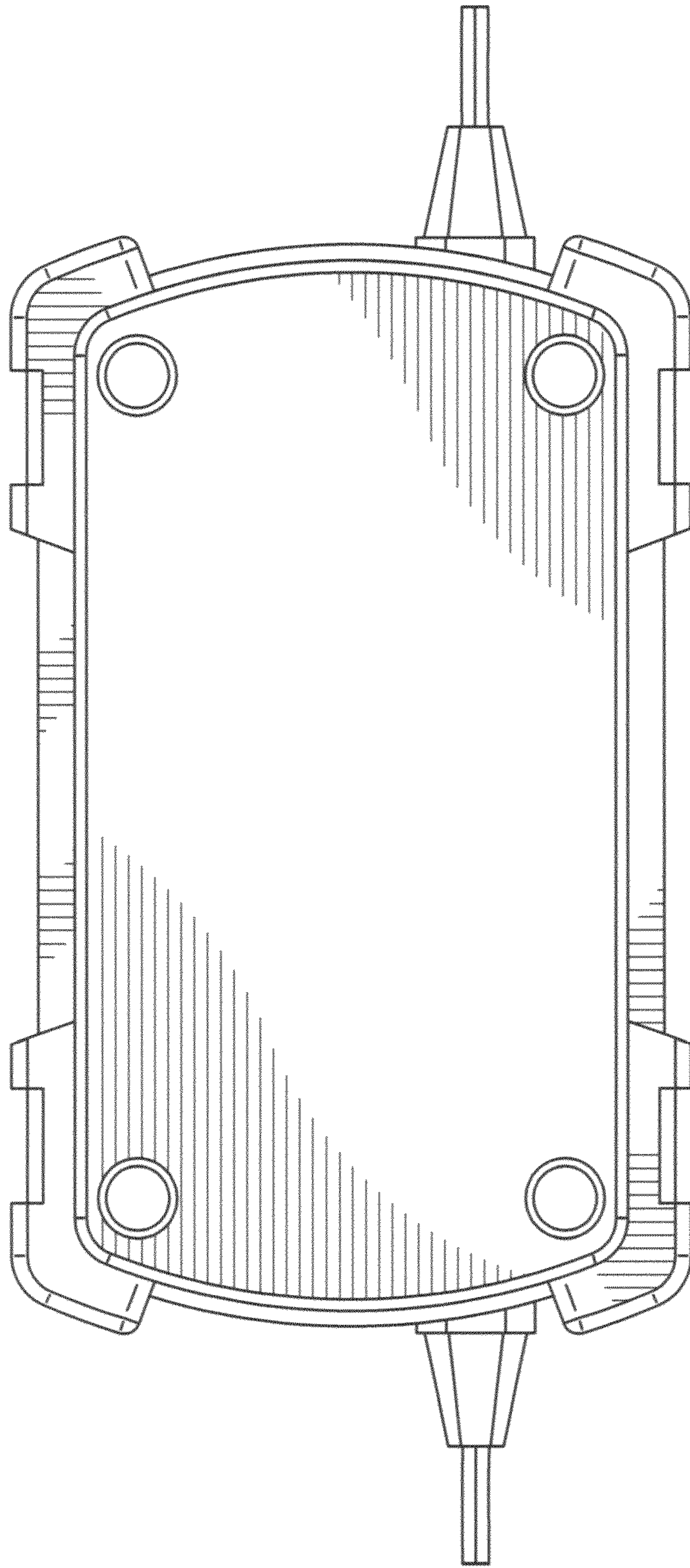


FIG. 4

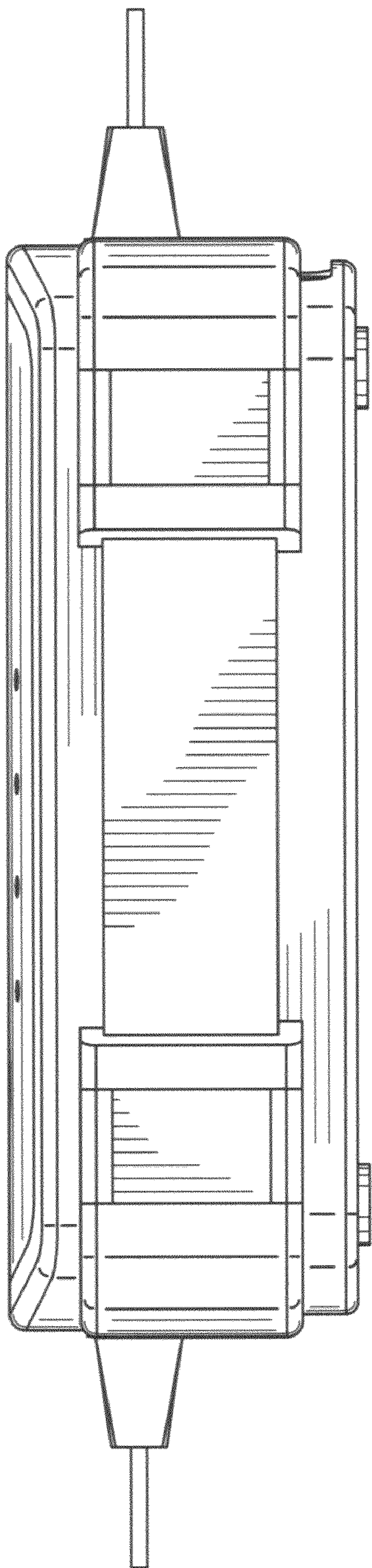


FIG. 5

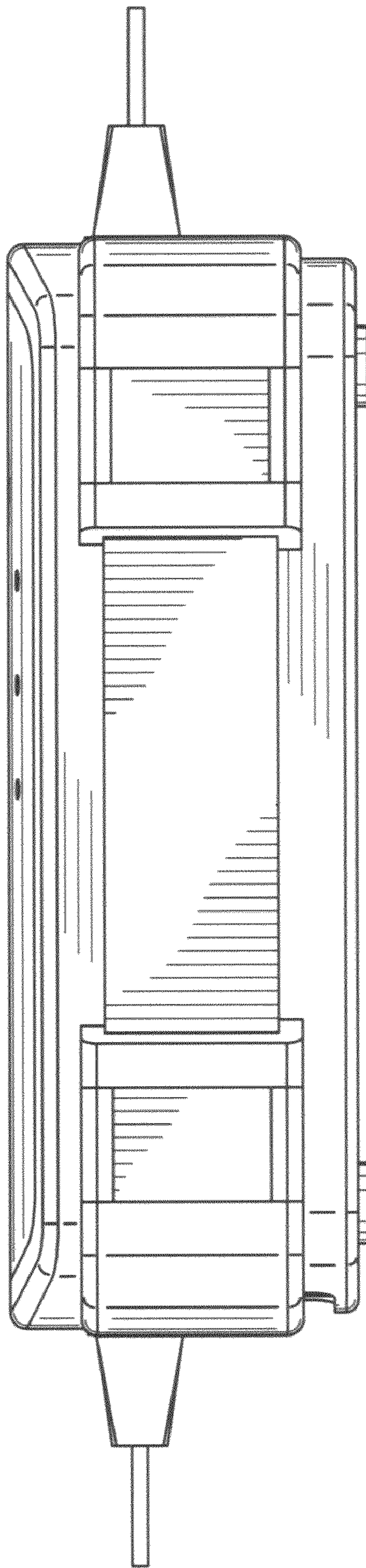


FIG. 6

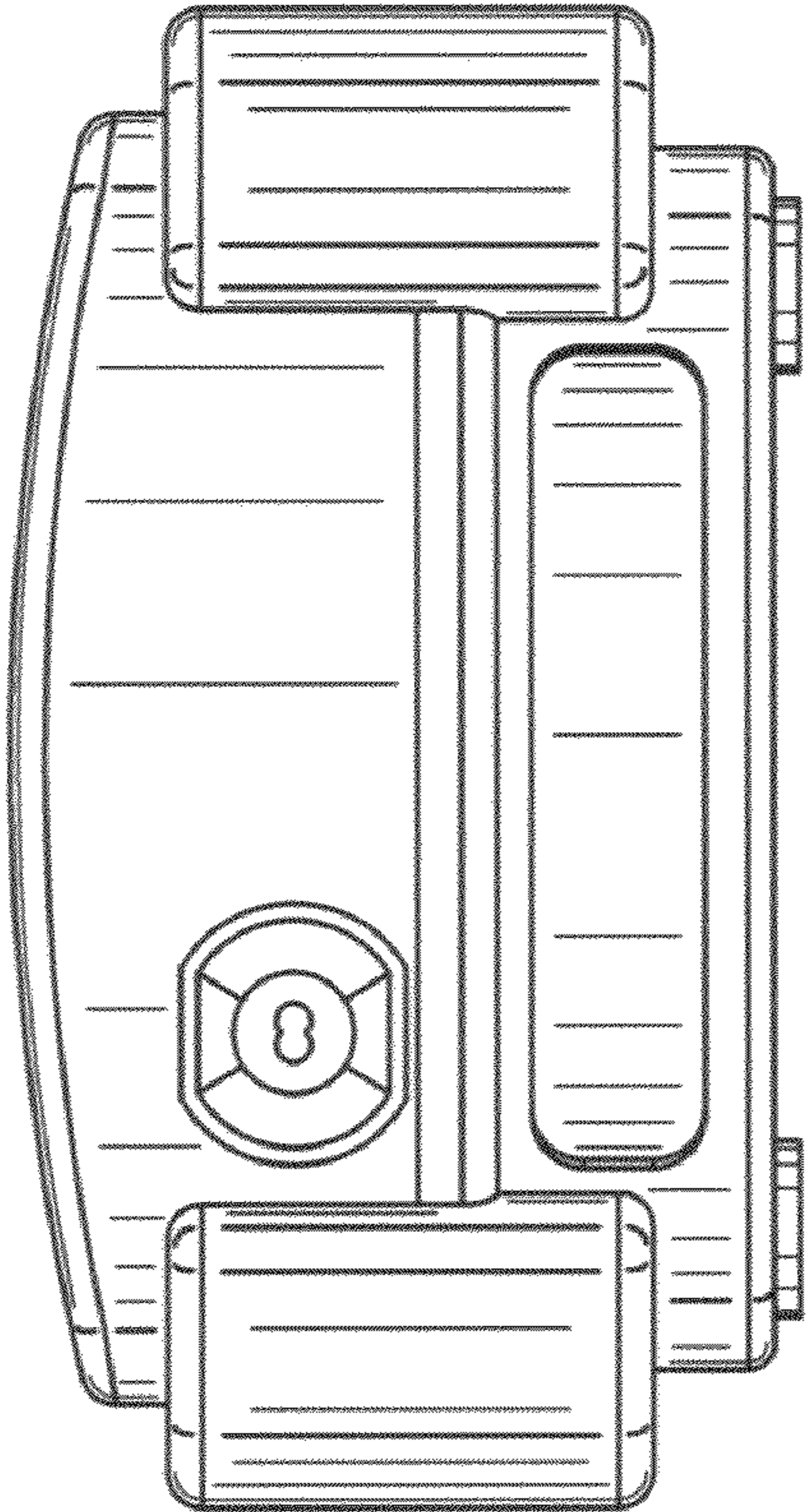


FIG. 7

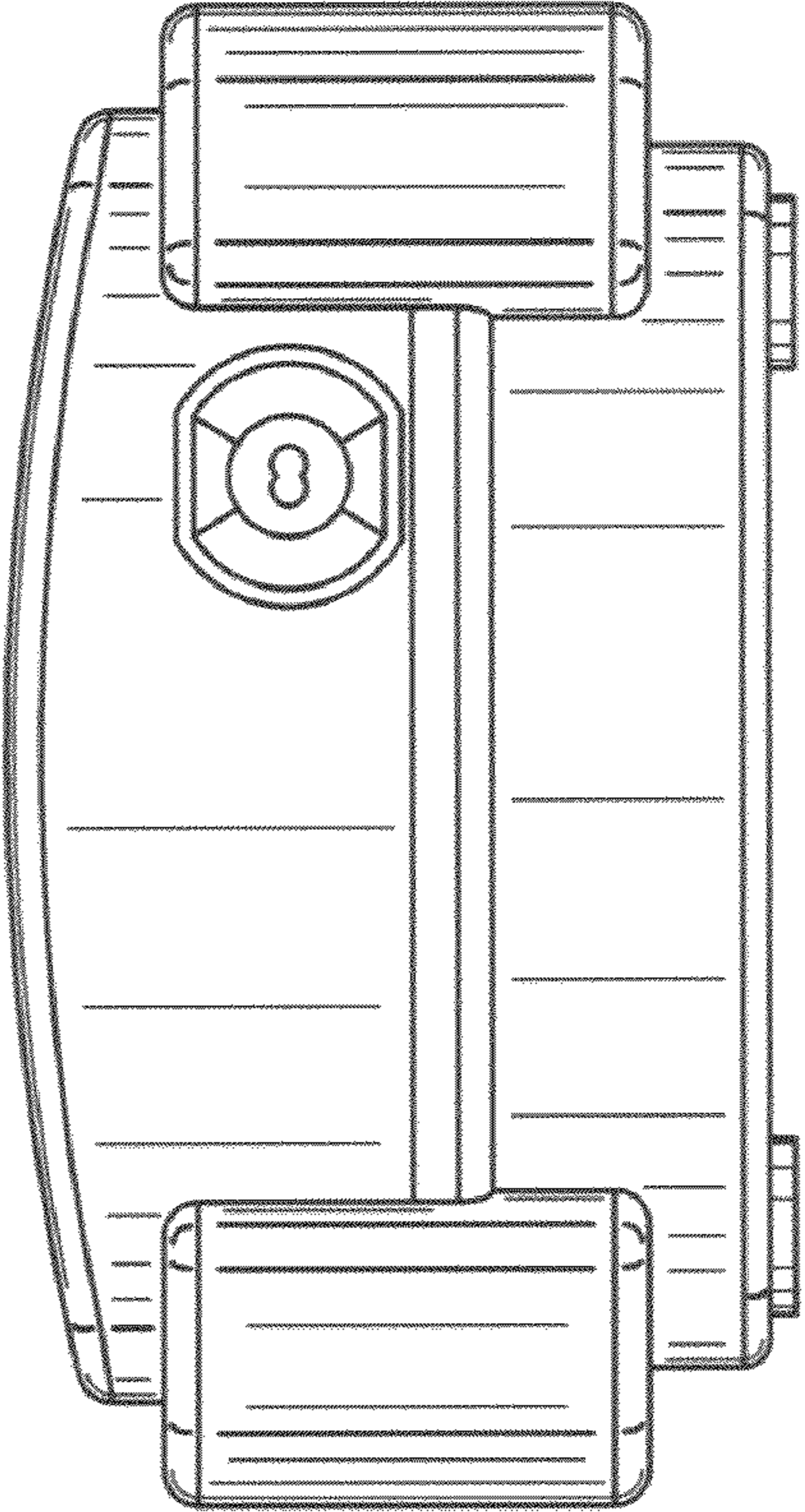


FIG. 8