

US00D664500S

(12) **United States Design Patent**
Degn

(10) **Patent No.:** **US D664,500 S**
(45) **Date of Patent:** **** Jul. 31, 2012**

(54) **ELECTRIC CHARGING POLE**
(75) Inventor: **Stefan Degn**, Altmünster (AT)
(73) Assignee: **Kapsch Trafficcom AG**, Vienna (AT)
(**) Term: **14 Years**

D629,747 S * 12/2010 Rajakaruna D13/107
D641,316 S * 7/2011 Schneiderat D13/107
D654,430 S * 2/2012 Demers et al. D13/107
D654,861 S * 2/2012 Holthusen D13/107
D659,090 S * 5/2012 deRoo et al. D13/107
2008/0297108 A1* 12/2008 Le Gars 320/109
2011/0140656 A1* 6/2011 Starr et al. 320/109
* cited by examiner

(21) Appl. No.: **29/412,972**
(22) Filed: **Feb. 9, 2012**

Primary Examiner — Rosemary K Tarca
(74) *Attorney, Agent, or Firm* — Christie, Parker & Hale, LLP.

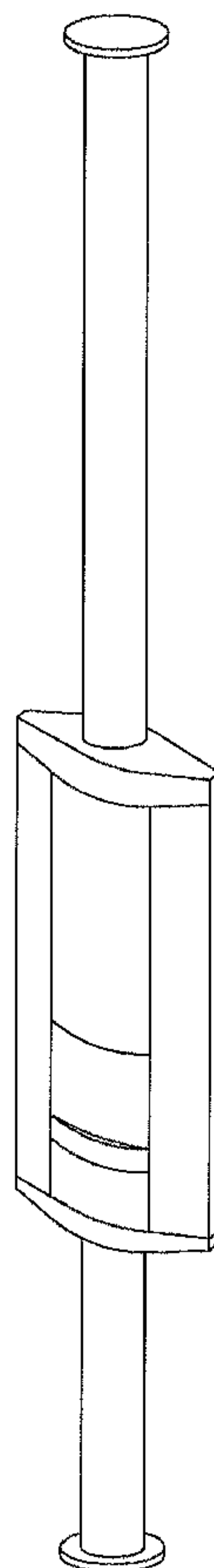
(30) **Foreign Application Priority Data**
Aug. 17, 2011 (EM) 001905506-0001
(51) **LOC (9) Cl.** **13-02**
(52) **U.S. Cl.** **D13/107**
(58) **Field of Classification Search** D13/106–110,
D13/118–119, 184, 199; D14/251, 253,
D14/432, 434; 320/103–115; D15/9
See application file for complete search history.

(57) **CLAIM**
The ornamental design for electric charging pole, as shown and described.

(56) **References Cited**
U.S. PATENT DOCUMENTS
5,306,999 A * 4/1994 Hoffman 320/109
6,459,234 B2 * 10/2002 Kajiura 320/109
D597,937 S * 8/2009 Haw et al. D13/107
D608,734 S * 1/2010 Smith D13/107

DESCRIPTION
FIG. 1 is a front perspective view with closed flap of the electric charging pole;
FIG. 2 is a front perspective view with open flap thereof;
FIG. 3 is a front view thereof
FIG. 4 is a right side view thereof;
FIG. 5 is a rear view thereof;
FIG. 6 is a left side view thereof; and,
FIG. 7 is a top view thereof, the bottom view being identical.

1 Claim, 7 Drawing Sheets



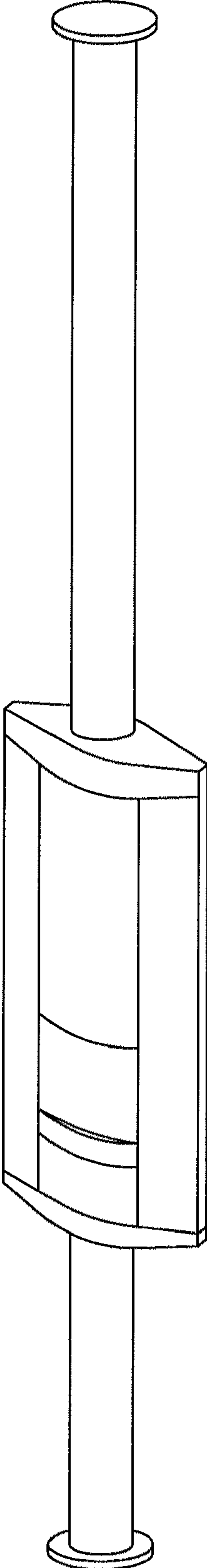


FIG. 1

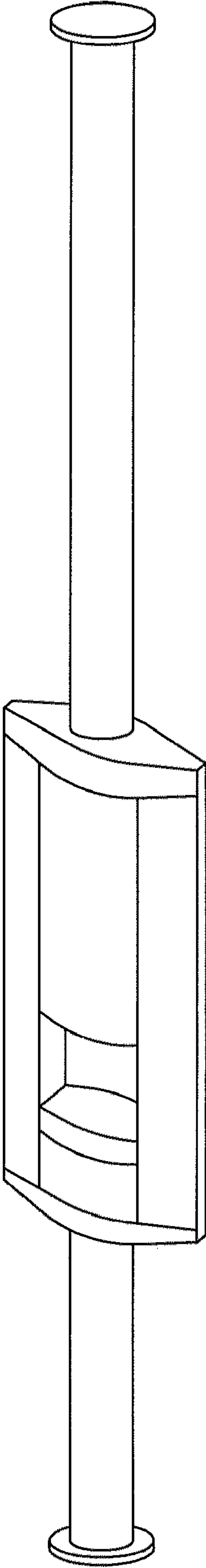


FIG. 2

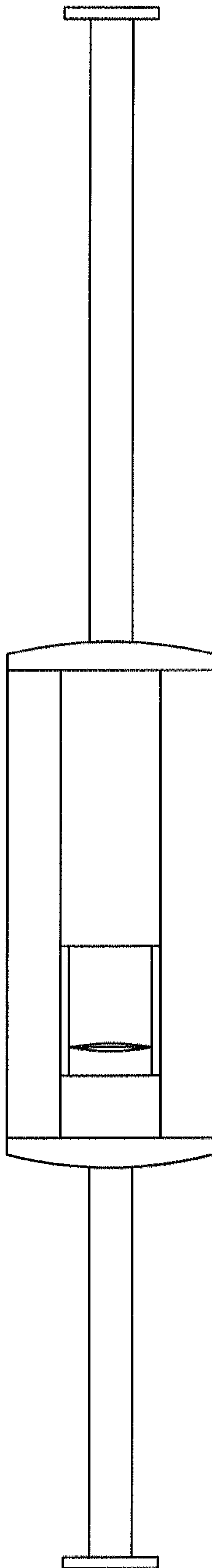


FIG. 3

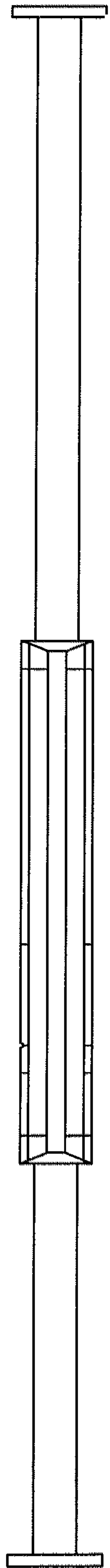


FIG. 4

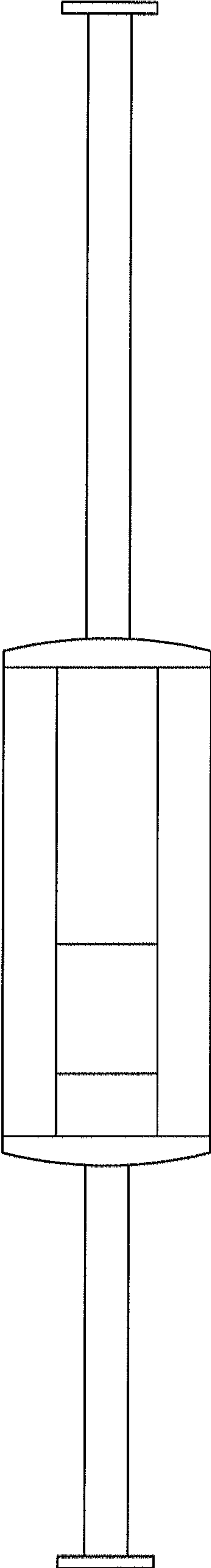


FIG. 5

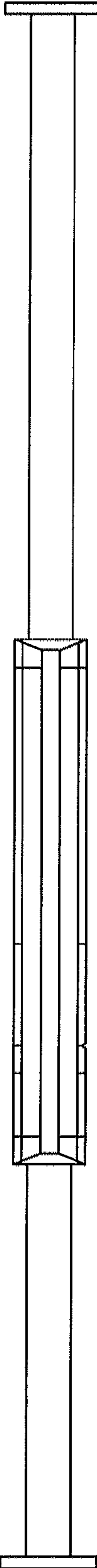


FIG. 6

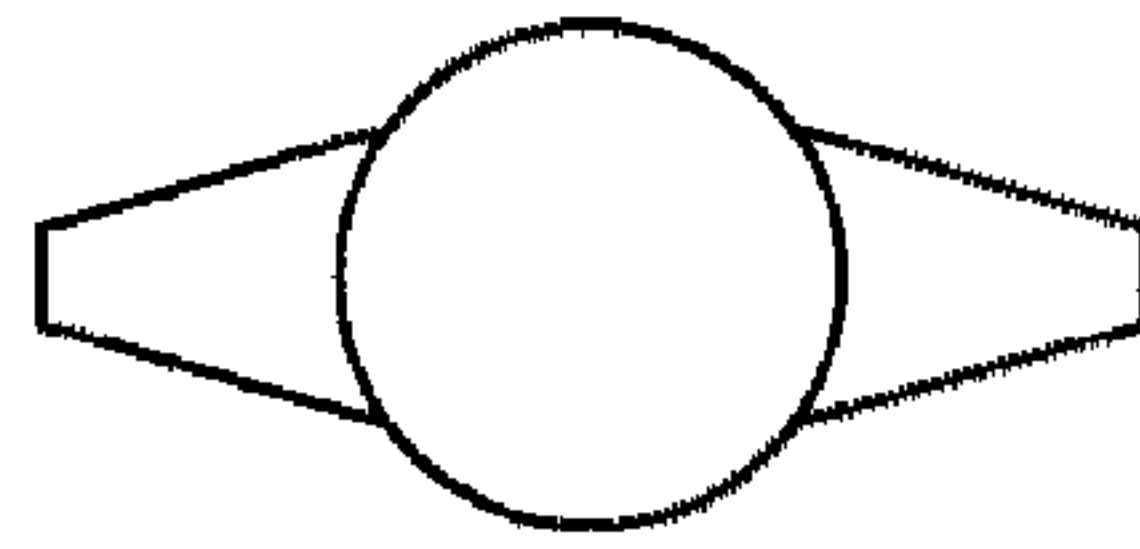


FIG. 7