



US00D664498S

(12) **United States Design Patent**
Liu

(10) **Patent No.:** **US D664,498 S**
(45) **Date of Patent:** **** Jul. 31, 2012**

(54) **BATTERY WITH FIVE ELECTRODES**

(75) Inventor: **Yun-Zhao Liu**, Guangdong Province (CN)

(73) Assignee: **Guangdong Jetfast Portable Lighting Co., Ltd.**, Guangdong (CN)

(**) Term: **14 Years**

(21) Appl. No.: **29/394,647**

(22) Filed: **Jun. 20, 2011**

(30) **Foreign Application Priority Data**

Jan. 27, 2011 (CN) 2011 3 0015960

(51) **LOC (9) Cl.** **13-02**

(52) **U.S. Cl.** **D13/103**

(58) **Field of Classification Search** D13/102-106,
D13/110, 118-119, 184; 429/96-100, 163,
429/176

See application file for complete search history.

(56) **References Cited**

U.S. PATENT DOCUMENTS

5,501,917	A *	3/1996	Hong	429/101
D376,579	S *	12/1996	Bunyea et al.	D13/103
D392,249	S *	3/1998	Nakazawa et al.	D13/103
D401,901	S *	12/1998	Bunyea et al.	D13/119
D413,565	S *	9/1999	Nakayama	D13/103
D413,858	S *	9/1999	Murakami et al.	D13/103

D459,297	S *	6/2002	Searle	D13/103
D471,862	S *	3/2003	Kasahara et al.	D13/103
D476,617	S *	7/2003	Kasahara et al.	D13/103
D486,445	S *	2/2004	Kasahara et al.	D13/103
D535,945	S *	1/2007	Towler	D13/119
D539,216	S *	3/2007	Hamaguchi	D13/103
D539,217	S *	3/2007	Hamaguchi	D13/103
D543,143	S *	5/2007	Hamaguchi	D13/103
D577,333	S *	9/2008	Daniel et al.	D13/103
D582,843	S *	12/2008	Linardos	D13/103
2003/0162086	A1 *	8/2003	Longhi et al.	429/94

* cited by examiner

Primary Examiner — Rosemary K Tarcza

(74) *Attorney, Agent, or Firm* — Rosenberg, Klein & Lee

(57) **CLAIM**

The ornamental design for a battery with five electrodes, as shown and described.

DESCRIPTION

FIG. 1 is a perspective view of a battery with five electrodes showing my new design;

FIG. 2 is a front elevational view thereof;

FIG. 3 is a rear elevational view thereof;

FIG. 4 is a left side elevational view thereof;

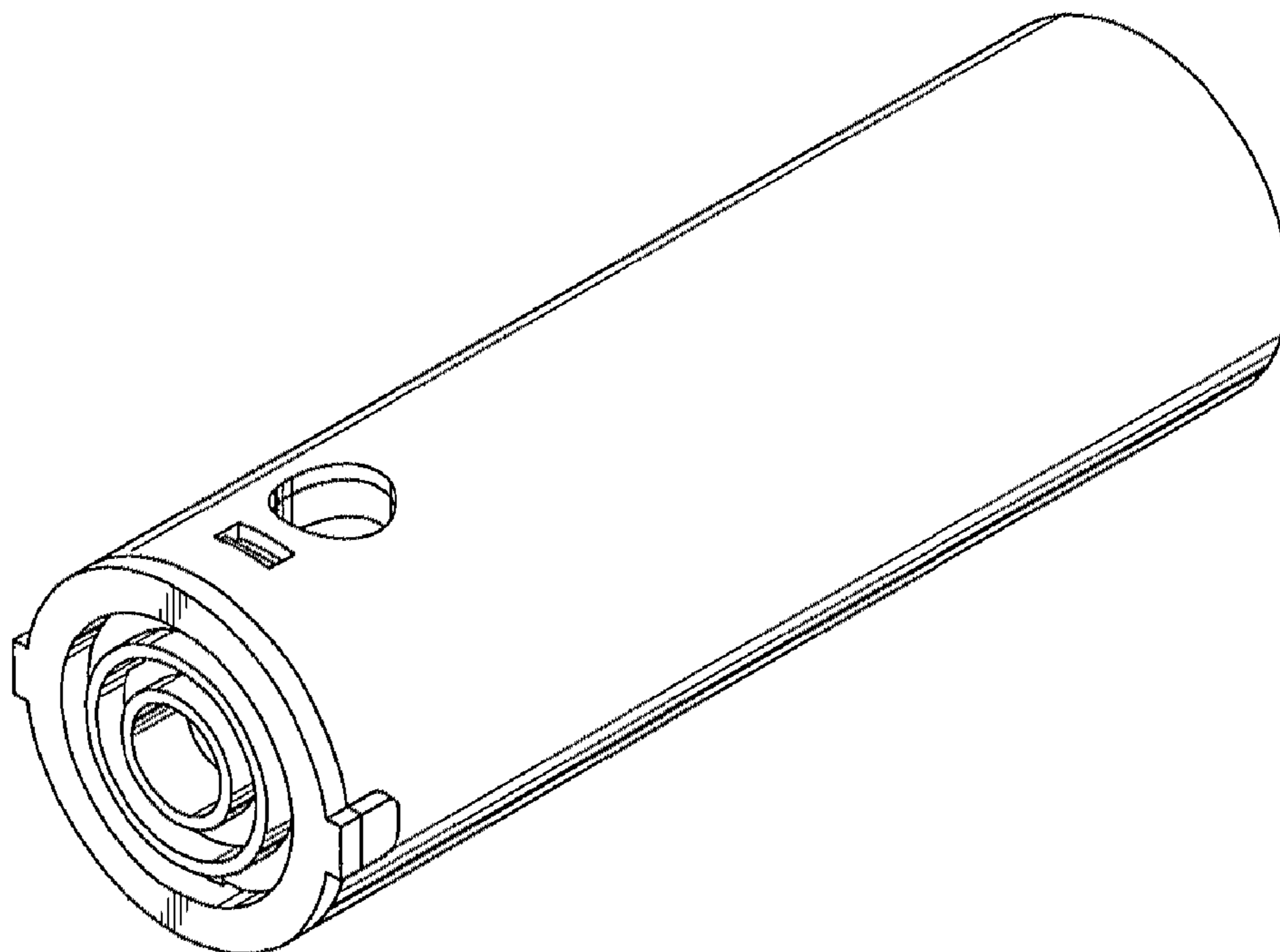
FIG. 5 is a right side elevational view thereof;

FIG. 6 is a top plan view thereof; and,

FIG. 7 is a bottom plan view thereof.

The broken lines shown in the drawings are included for the purpose of illustrating environmental structure and form no part of the claimed design.

1 Claim, 7 Drawing Sheets



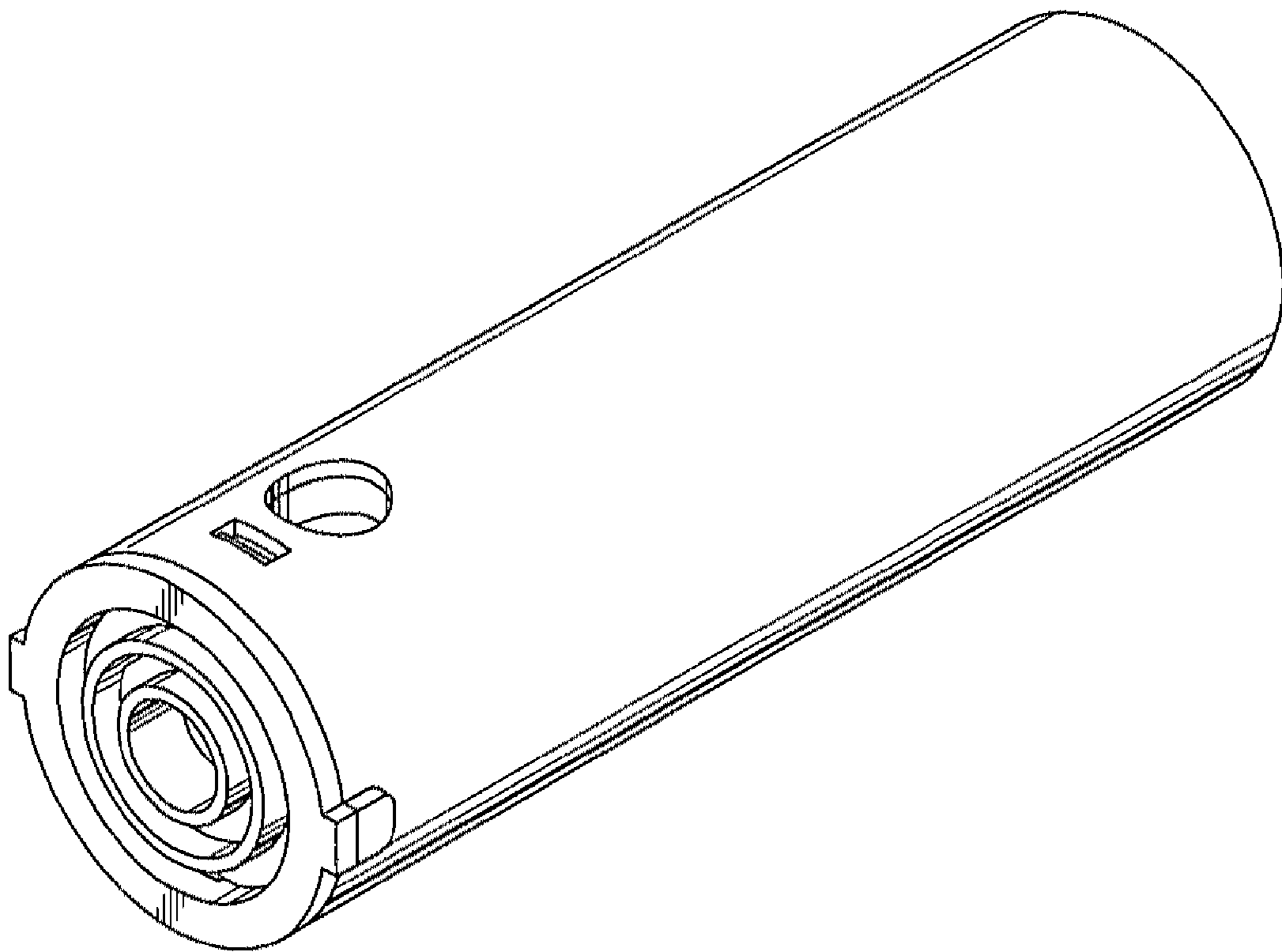


FIG. 1

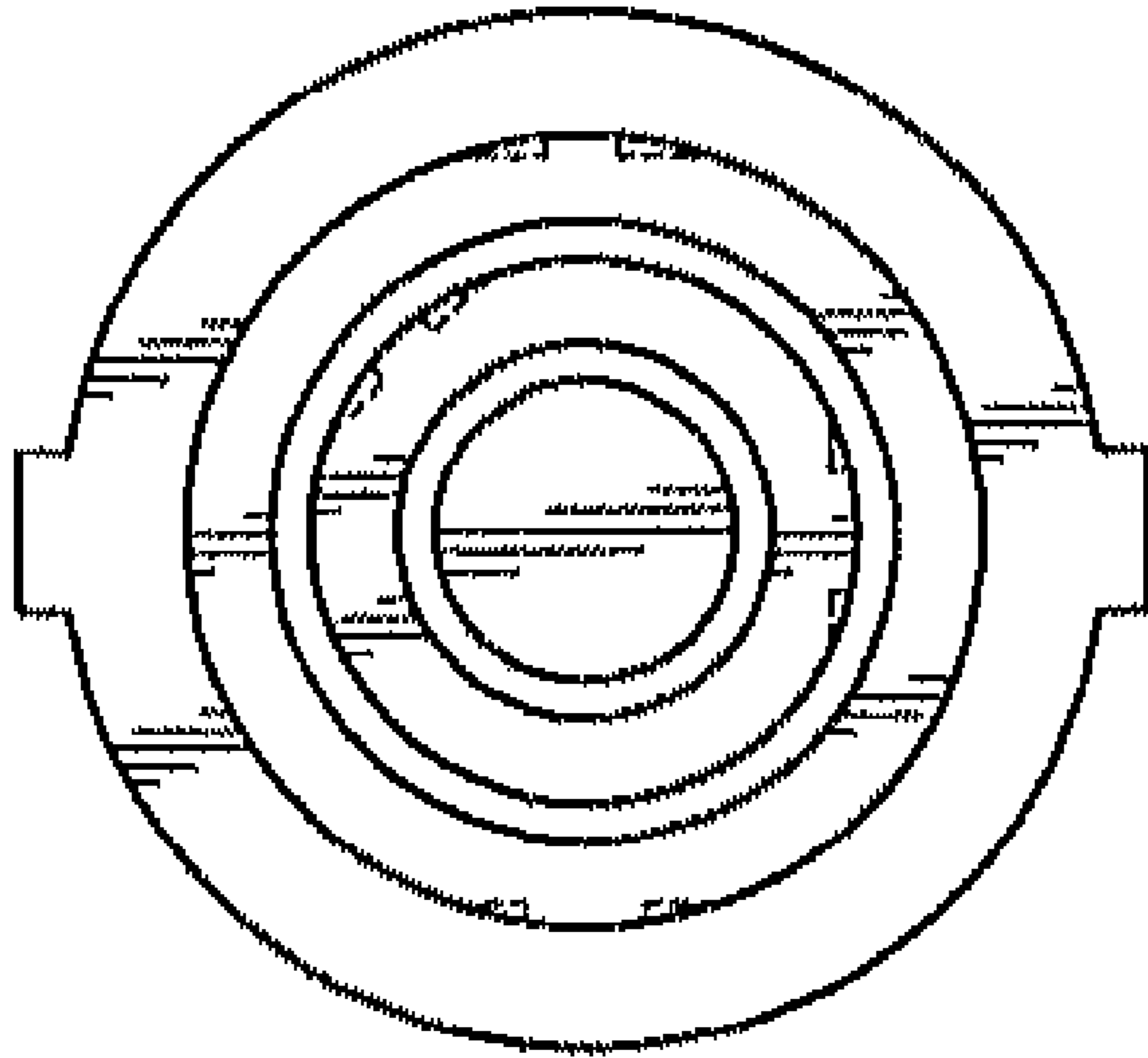


FIG. 2

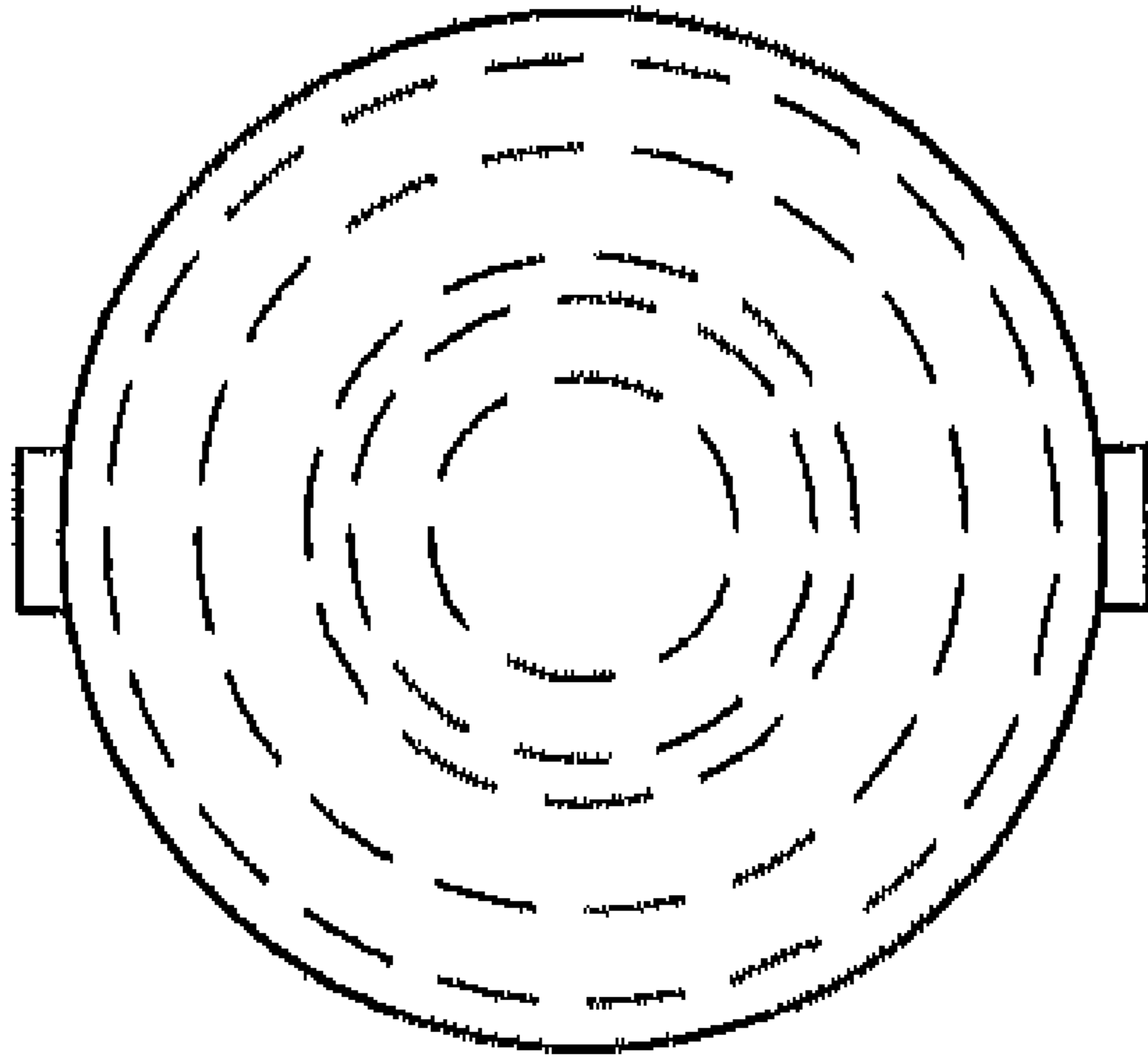


FIG. 3

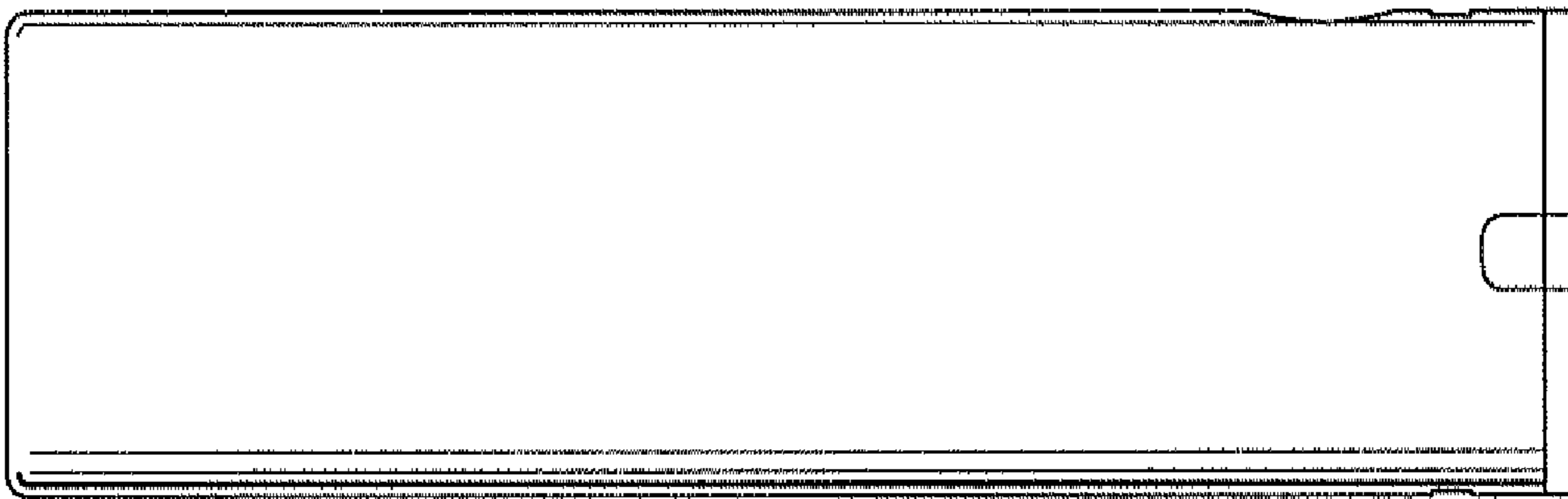


FIG. 4



FIG. 5

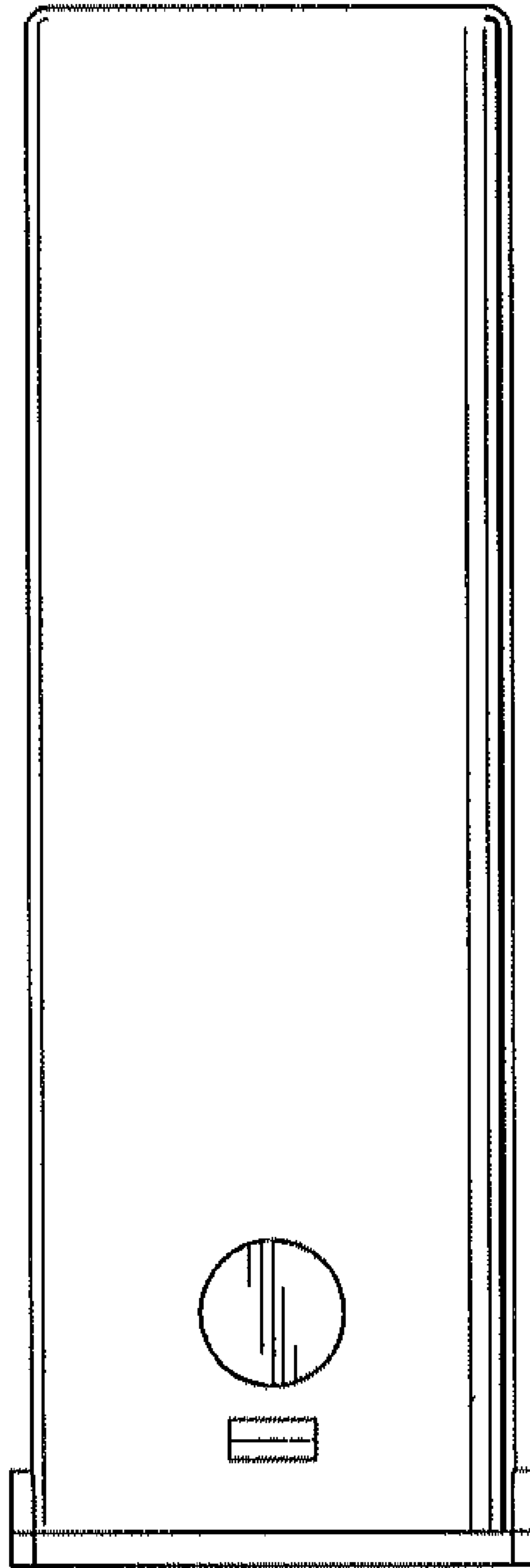


FIG. 6

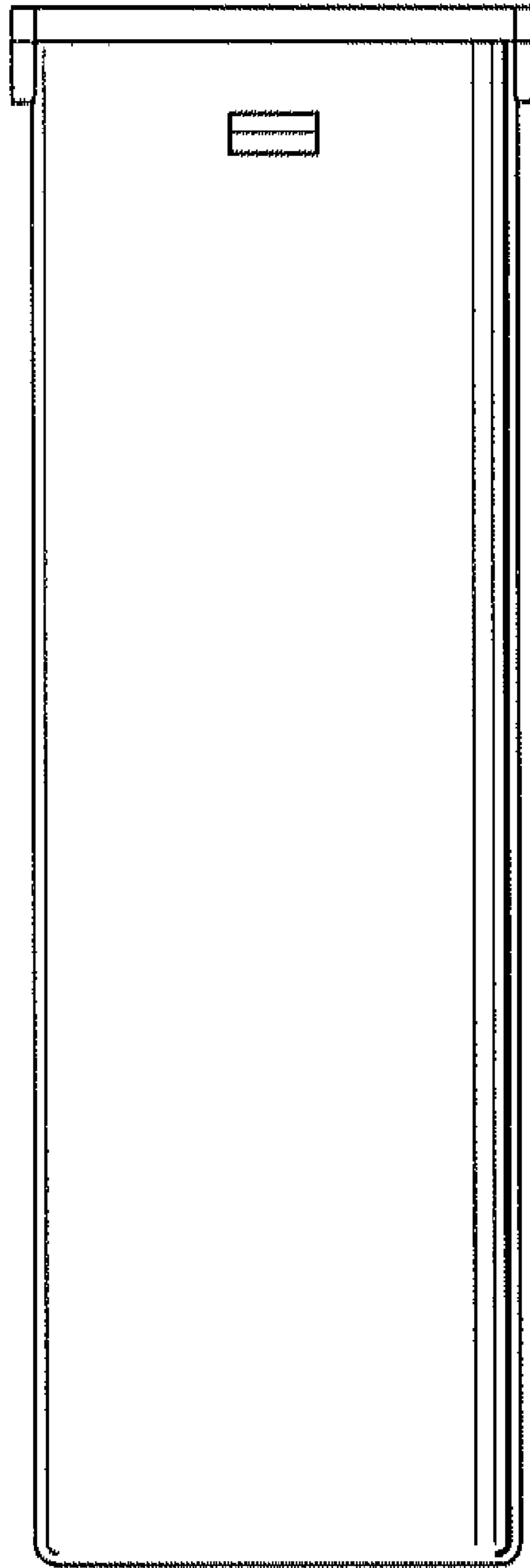


FIG. 7