

US00D664497S

(12) **United States Design Patent**
Sareen

(10) **Patent No.:** **US D664,497 S**
(45) **Date of Patent:** **** Jul. 31, 2012**

(54) **TIRE**

(75) Inventor: **Gajendra Singh Sareen**, Singapore
(SG)

(73) Assignee: **Omni United (S) Pte Ltd.**, Singapore
(SG)

(**) Term: **14 Years**

(21) Appl. No.: **29/372,987**

(22) Filed: **Feb. 15, 2011**

(51) **LOC (9) Cl.** **12-16**

(52) **U.S. Cl.** **D12/531**

(58) **Field of Classification Search** D12/505-532;
152/209.1, 209.8, 209.9, 209.12, 209.18,
152/209.25

See application file for complete search history.

(56) **References Cited**

U.S. PATENT DOCUMENTS

D483,004 S * 12/2003 Schomburg et al. D12/518
D581,345 S * 11/2008 Lee et al. D12/517

* cited by examiner

Primary Examiner — George D Kirschbaum

(74) *Attorney, Agent, or Firm* — Thomas W. Cook

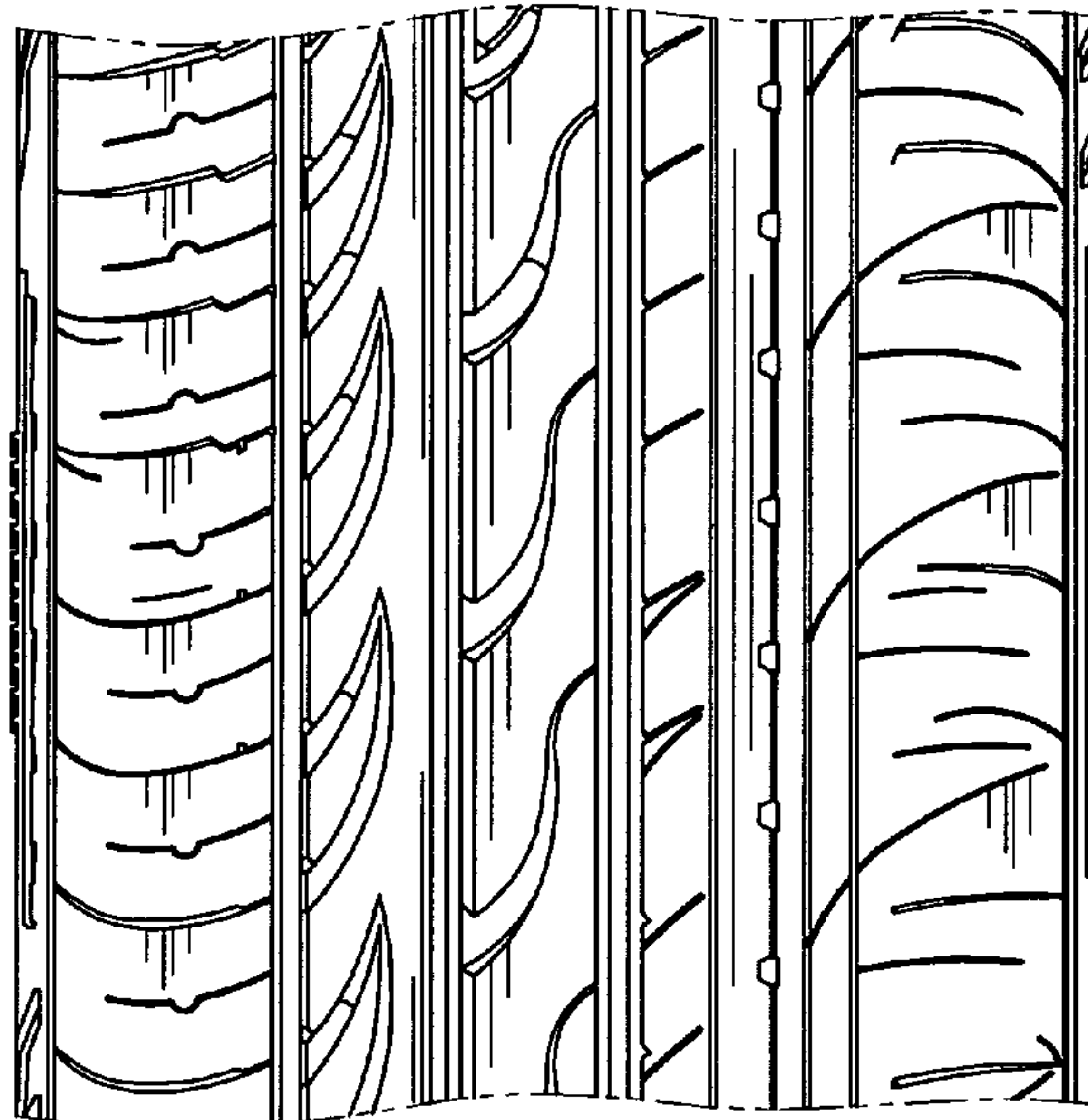
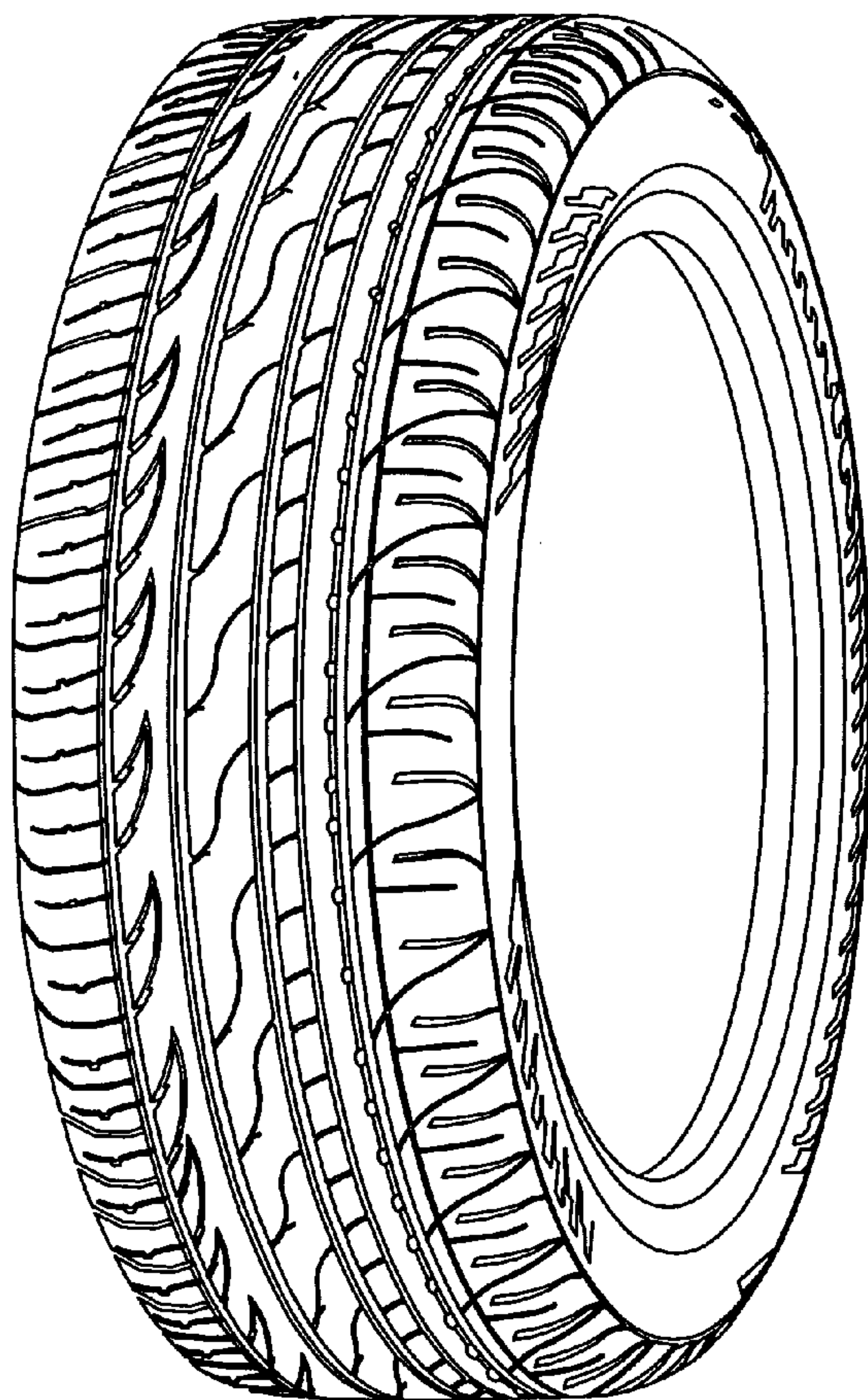
(57) **CLAIM**

I claim the ornamental design for the tire, as shown and described.

DESCRIPTION

FIG. 1 is a perspective view of a tire, showing our new design; FIG. 2 is a perspective view of a tire, showing our new design; FIG. 3 is a side view thereof; FIG. 4 is a perspective view of a section of the tire as defined by lines a-a and b-b; FIG. 5 is an enlarged view of the section of the tire as illustrated in FIG. 4; FIG. 6 is a front view of a section of the tire as defined by lines c-c and d-d; FIG. 7 is an enlarged view of the section of the tire defined by lines c-c and d-d in FIG. 6; FIG. 8 is a side view of a section of the tire as defined by line e and line f; and, FIG. 9 is an enlarged view of the section of the tire defined by line e and line f in FIG. 8. The broken line showing of the tire in FIGS. 4-9 is included for the purpose of illustrating environment, and forms no part of the claimed design.

1 Claim, 9 Drawing Sheets



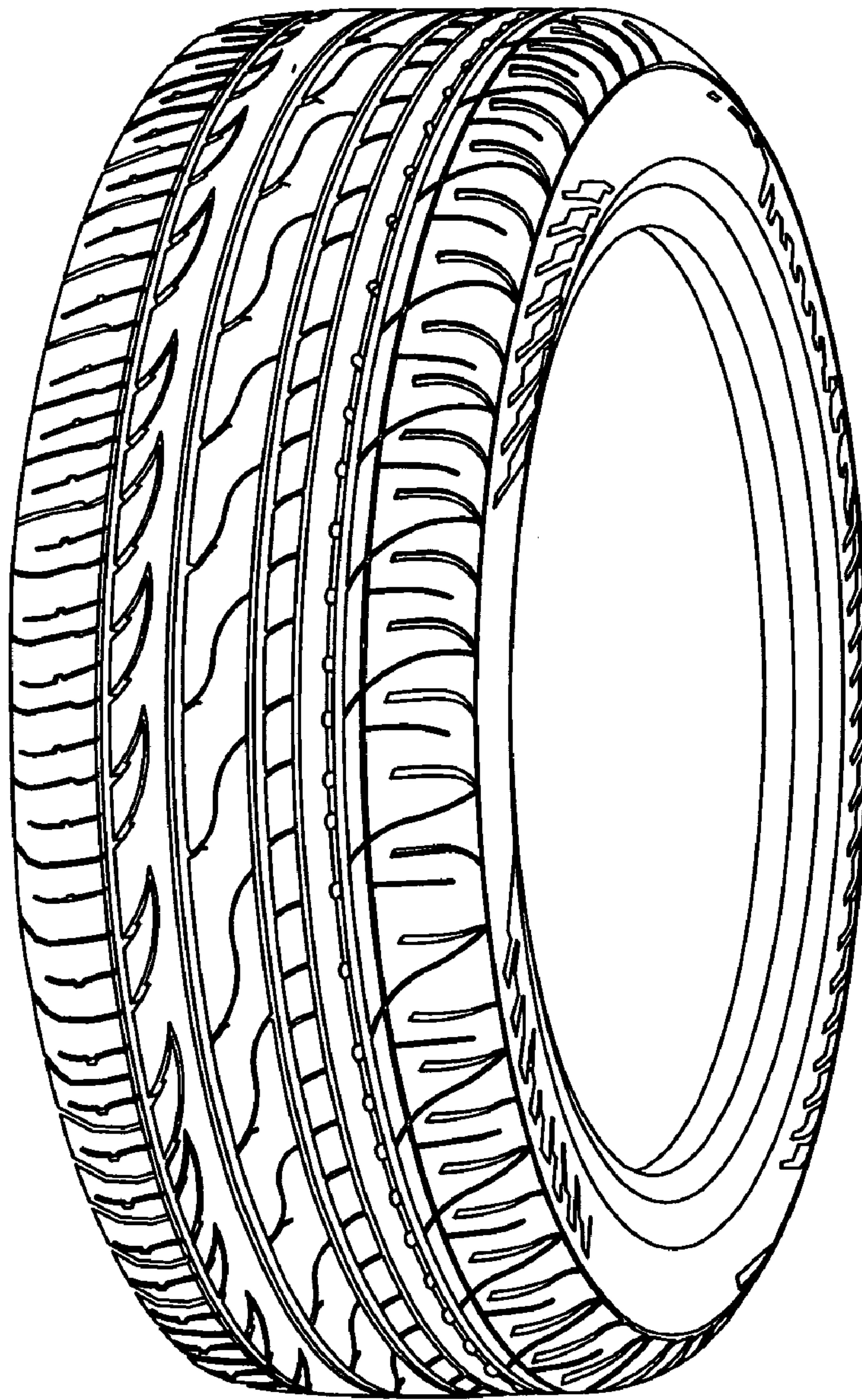


FIG. 1

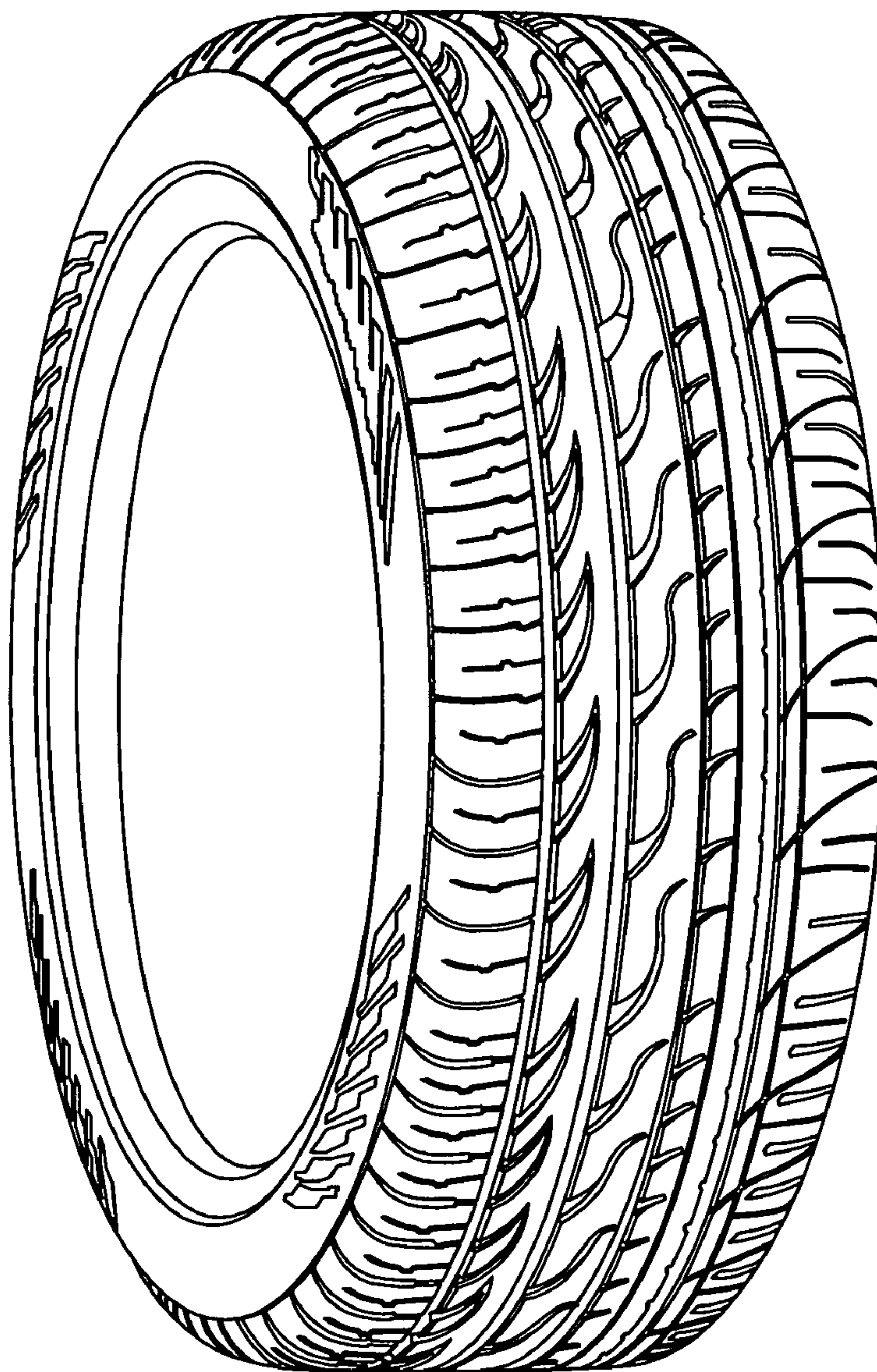


FIG. 2

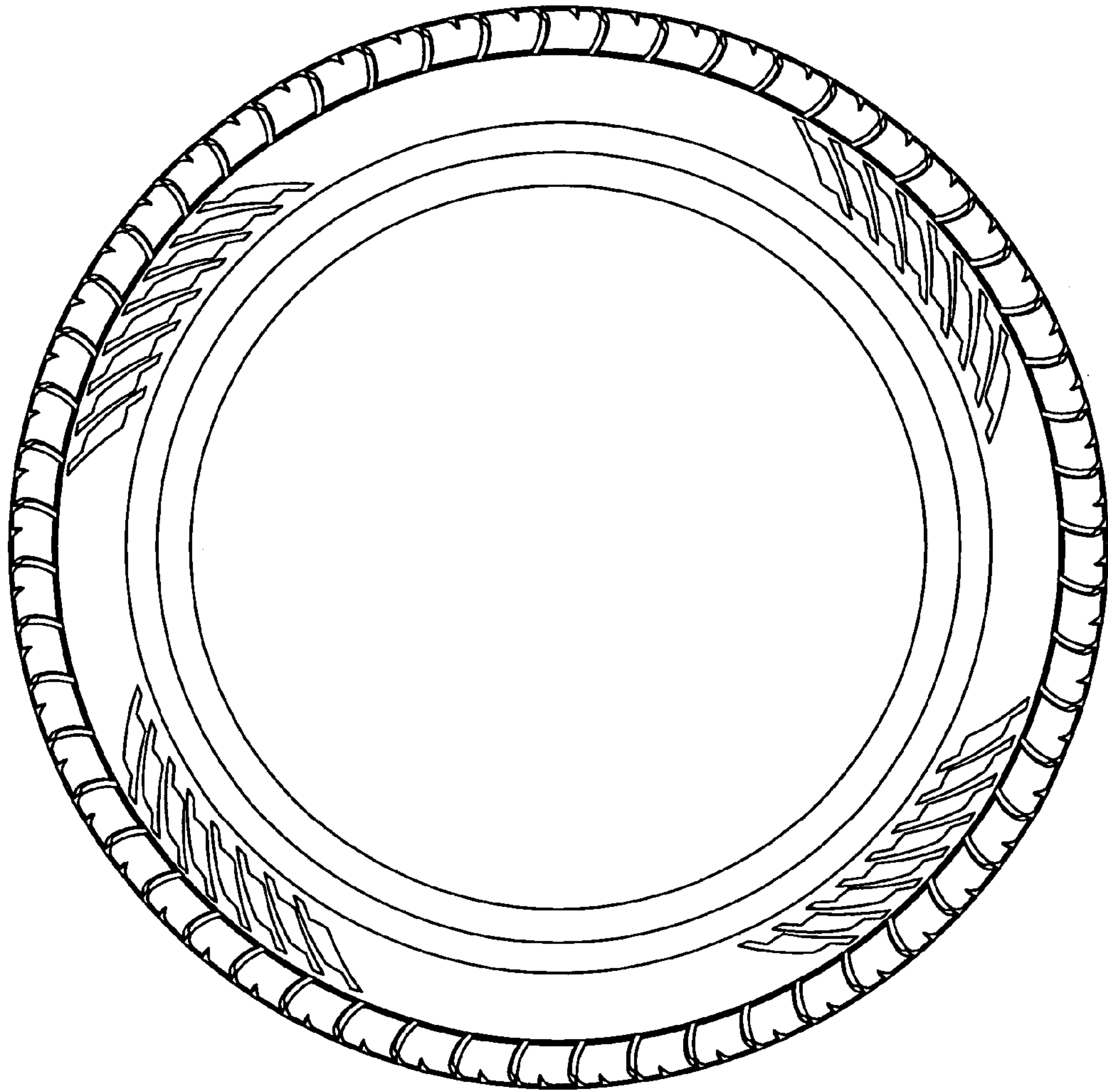


FIG. 3

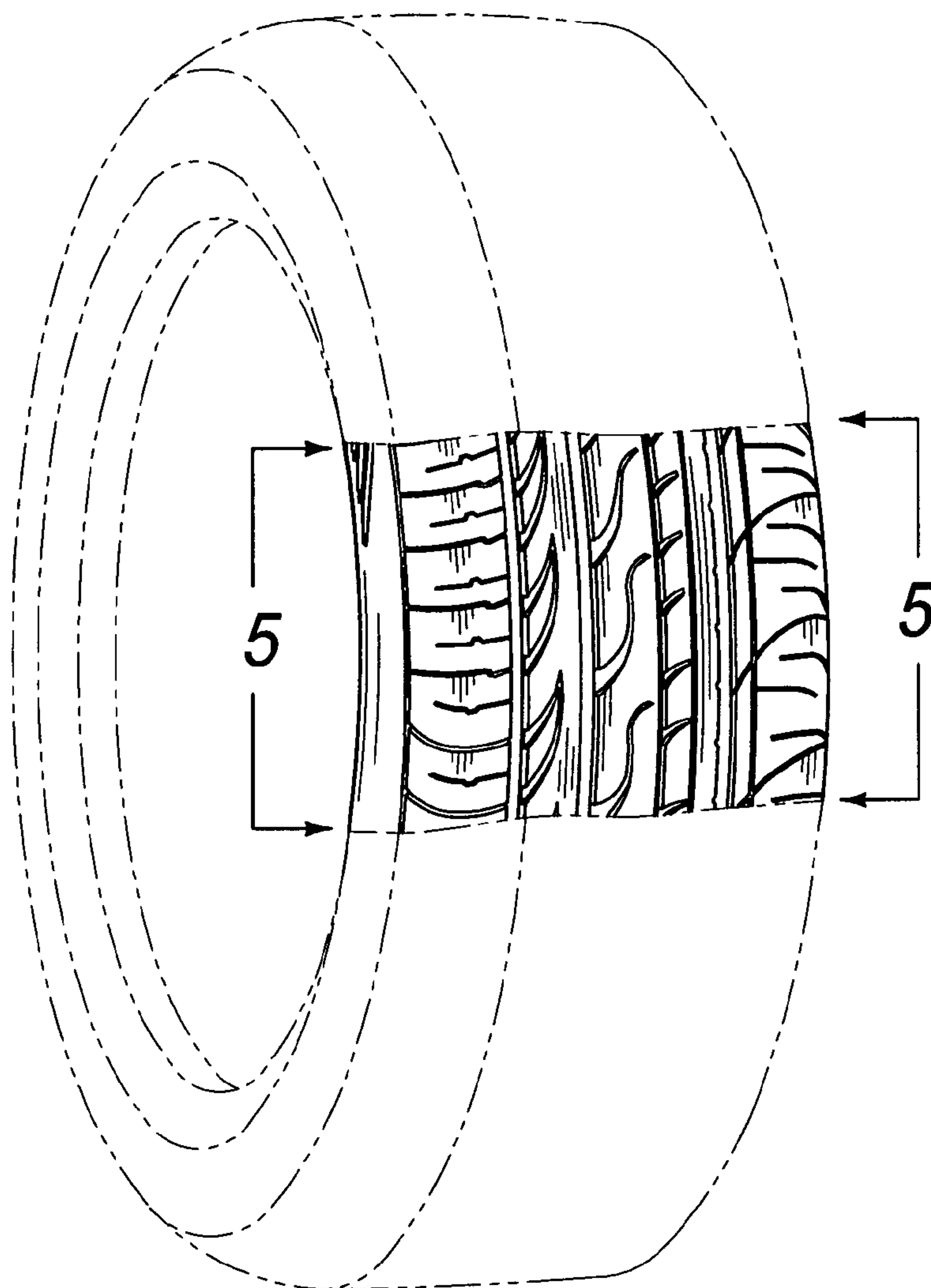


FIG. 4

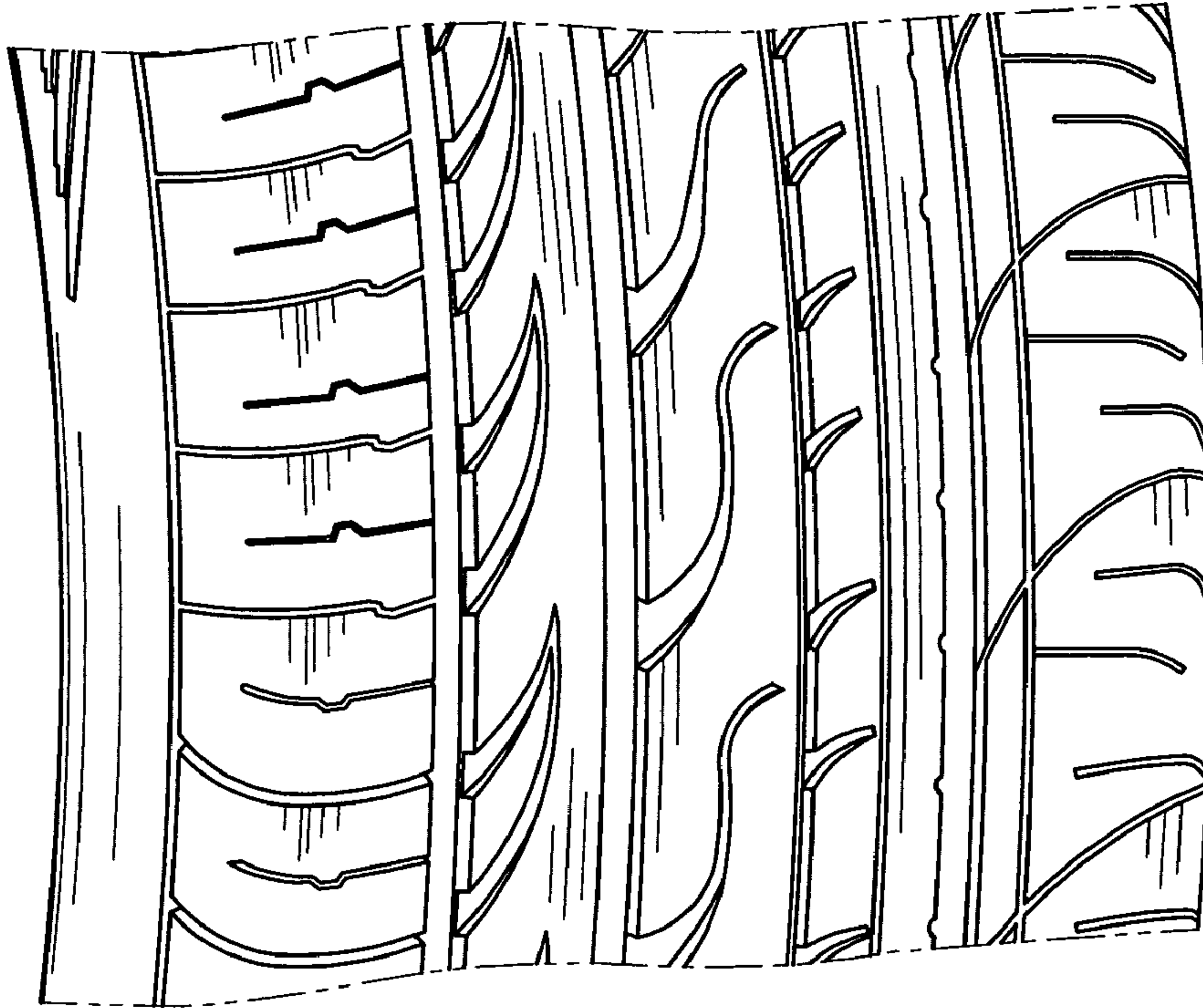


FIG. 5

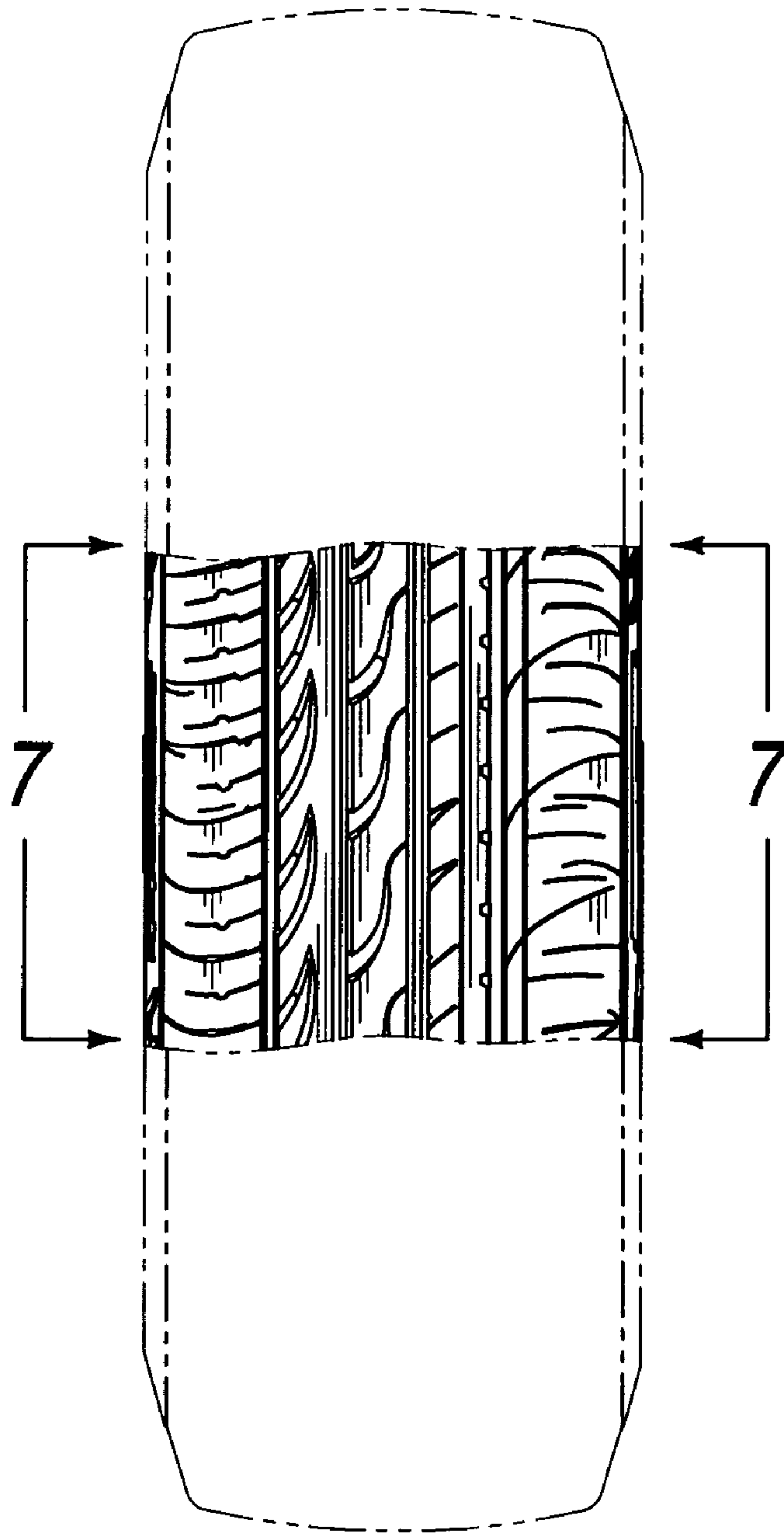


FIG. 6

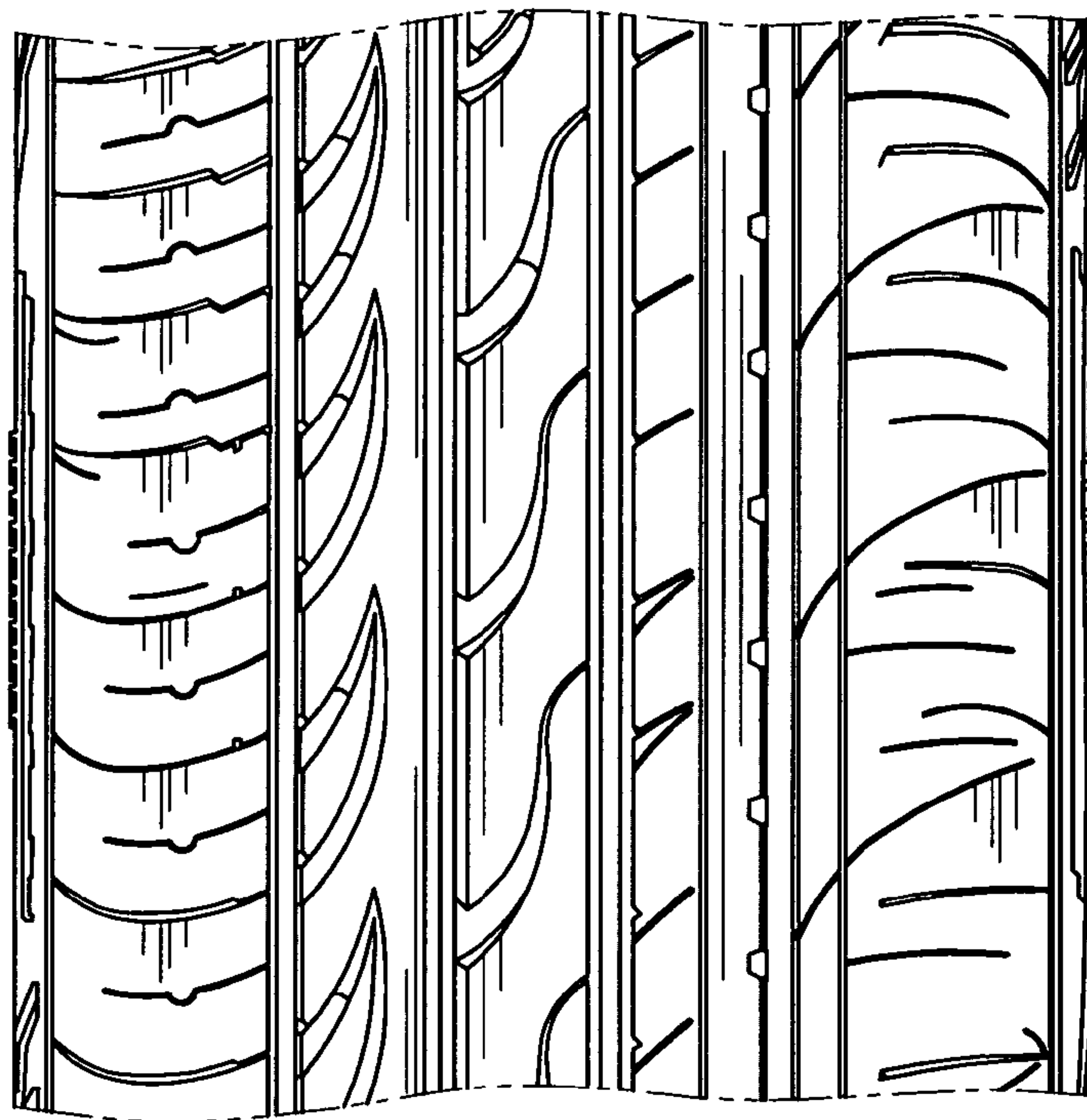


FIG. 7

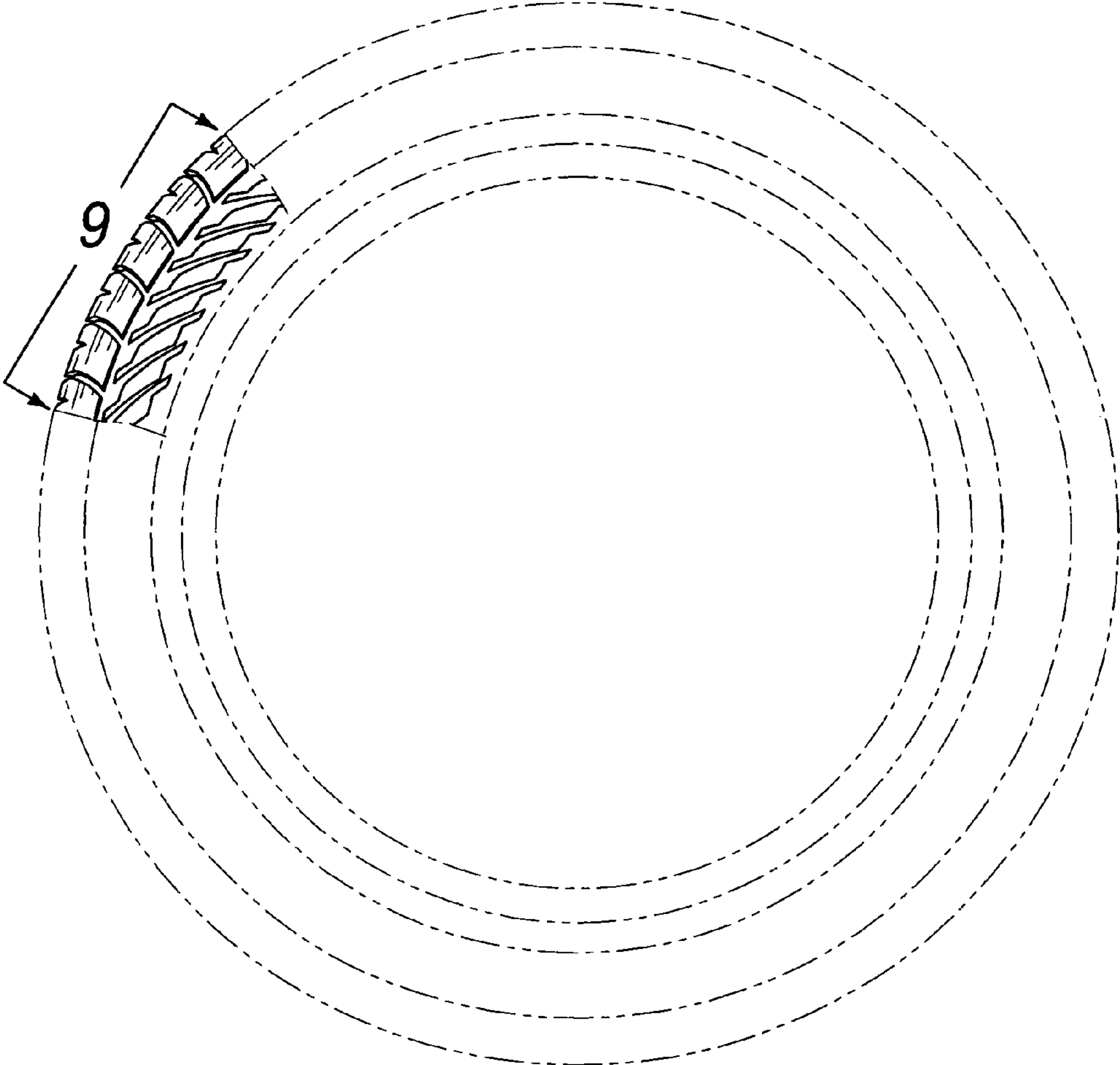


FIG. 8

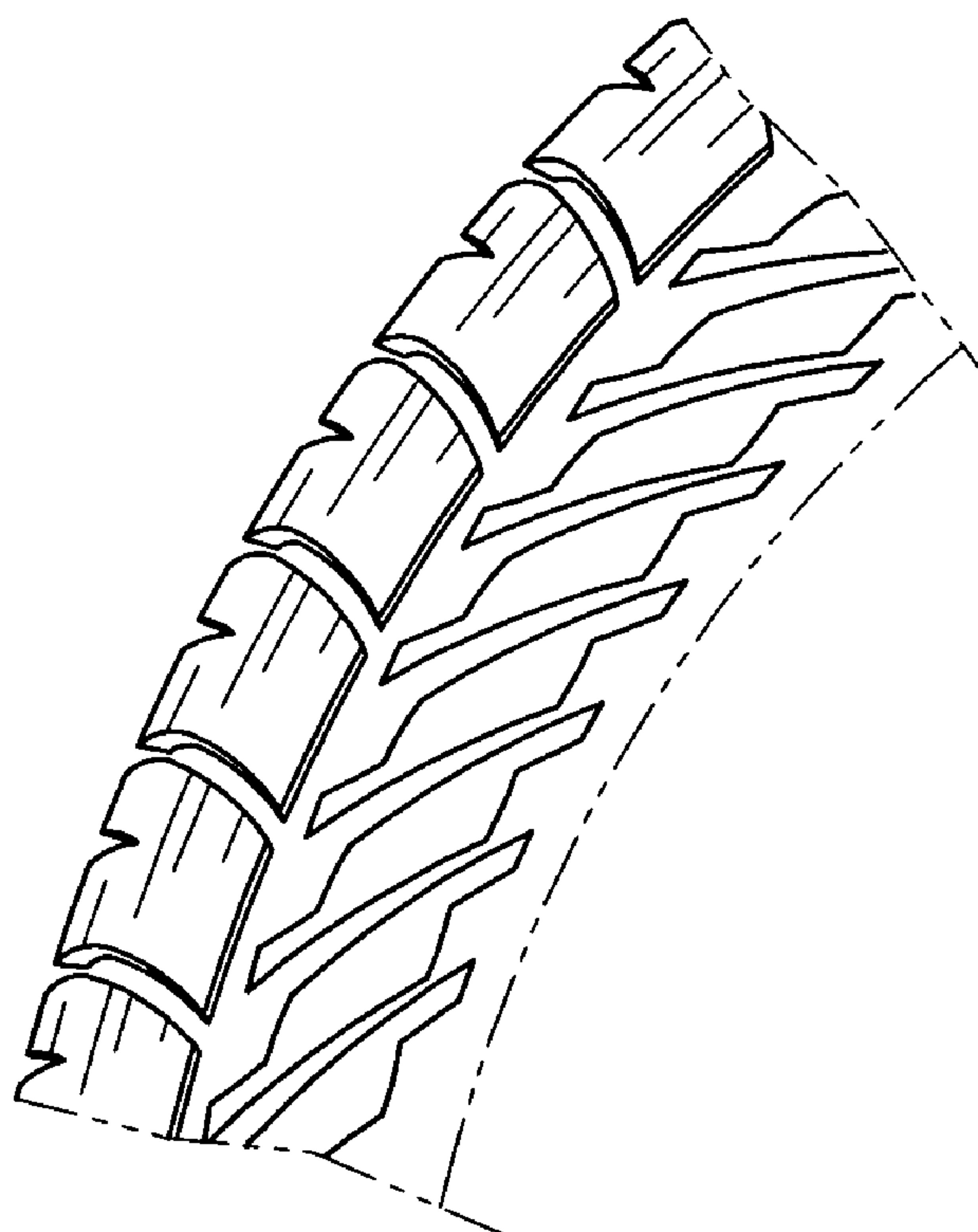


FIG. 9