

US00D664495S

(12) **United States Design Patent**  
**Oswell et al.**

(10) **Patent No.:** **US D664,495 S**

(45) **Date of Patent:** **\*\* Jul. 31, 2012**

(54) **TOWING STRUCTURE FOR WATER SPORTS**

(75) Inventors: **Robert Oswell**, Edmonton (CA);  
**Darrick Wilson**, Edmonton (CA)

(73) Assignee: **Roswell Wake-Air Enterprises Inc.**,  
Acheson, AB (CA)

(\*\*) Term: **14 Years**

(21) Appl. No.: **29/401,888**

(22) Filed: **Sep. 16, 2011**

(51) **LOC (9) Cl.** ..... **12-06**

(52) **U.S. Cl.** ..... **D12/317**

(58) **Field of Classification Search** ..... D12/300,  
D12/301, 310-314, 317, 318, 114; 114/247,  
114/249, 250, 253, 254, 343, 361, 364; D8/349,  
D8/354, 382

See application file for complete search history.

(56) **References Cited**

**U.S. PATENT DOCUMENTS**

D486,441 S \* 2/2004 Metcalf ..... D12/317  
D489,314 S \* 5/2004 Metcalf ..... D12/317  
6,986,321 B2 \* 1/2006 Metcalf ..... 114/364

D537,763 S \* 3/2007 Erskine et al. .... D12/182  
D551,154 S \* 9/2007 Metcalf ..... D12/317  
D555,545 S \* 11/2007 Peek ..... D12/114  
D605,575 S \* 12/2009 Oswell et al. .... D12/317  
D611,397 S \* 3/2010 Oswell et al. .... D12/317  
2004/0187764 A1 \* 9/2004 Eck et al. .... 114/364

\* cited by examiner

*Primary Examiner* — Cynthia M Chin

(74) *Attorney, Agent, or Firm* — Holland & Knight, LLP;  
Brian J. Colandrio, Esq.; Jeffrey T. Placker, Esq.

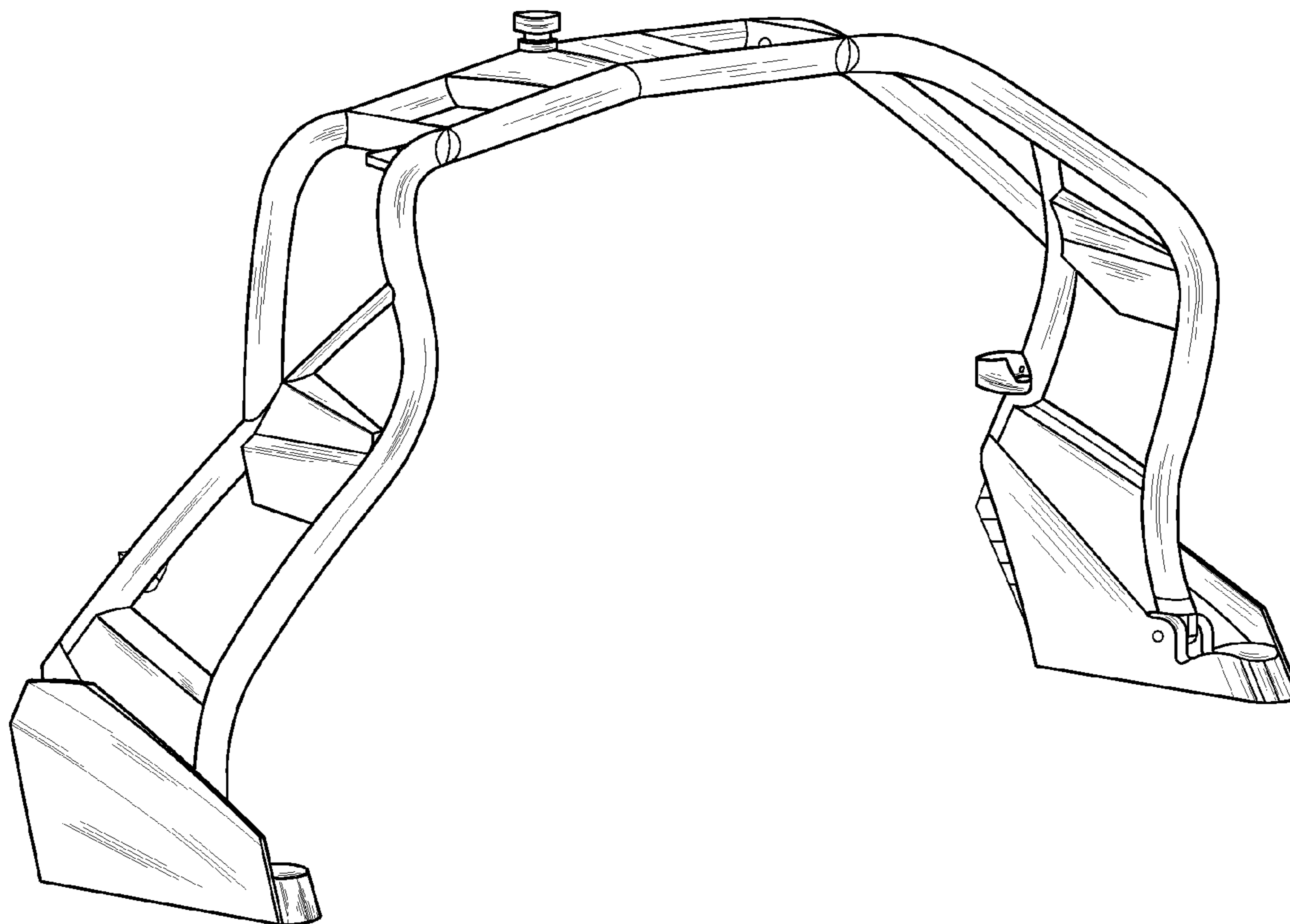
(57) **CLAIM**

The ornamental design for a towing structure for water sports,  
as shown and described.

**DESCRIPTION**

FIG. 1 is a front isometric view of a towing structure for water sports, suitable for being mounted on a boat;  
FIG. 2 is a front elevational view thereof;  
FIG. 3 is a top plan view thereof;  
FIG. 4 is a left side elevational view thereof; and,  
FIG. 5 is a right side elevational view thereof.

**1 Claim, 3 Drawing Sheets**



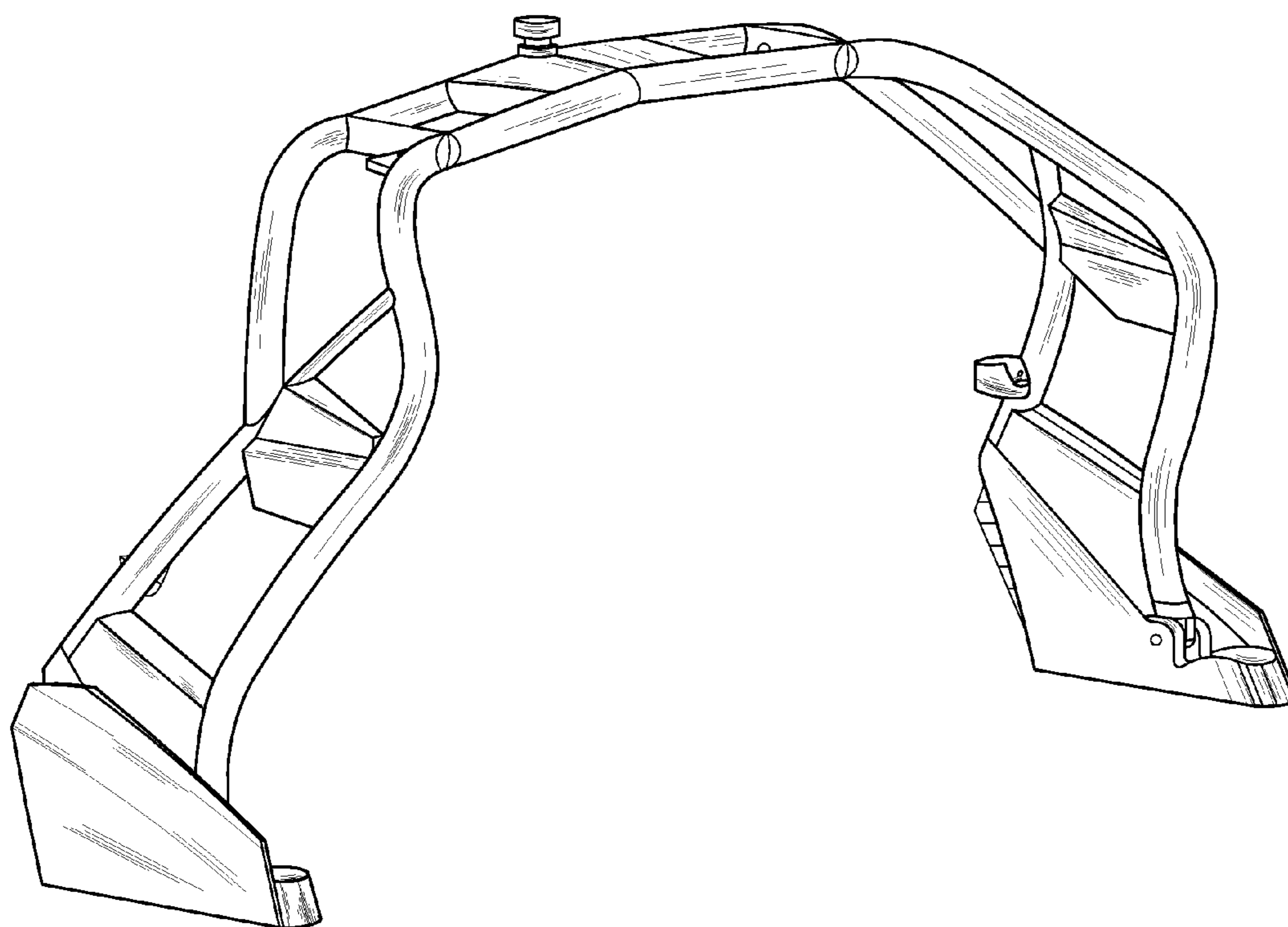


FIG. 1

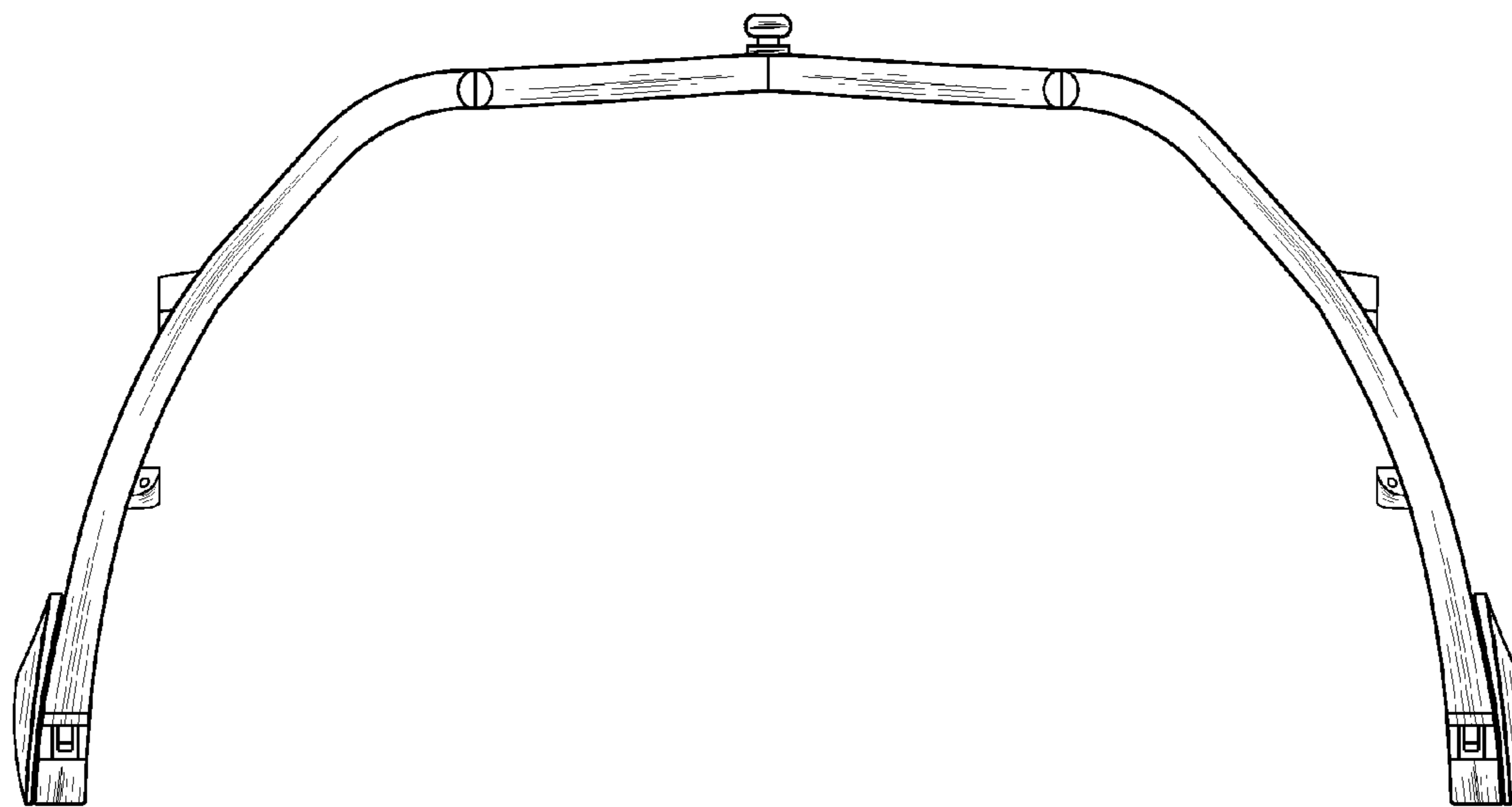


FIG. 2

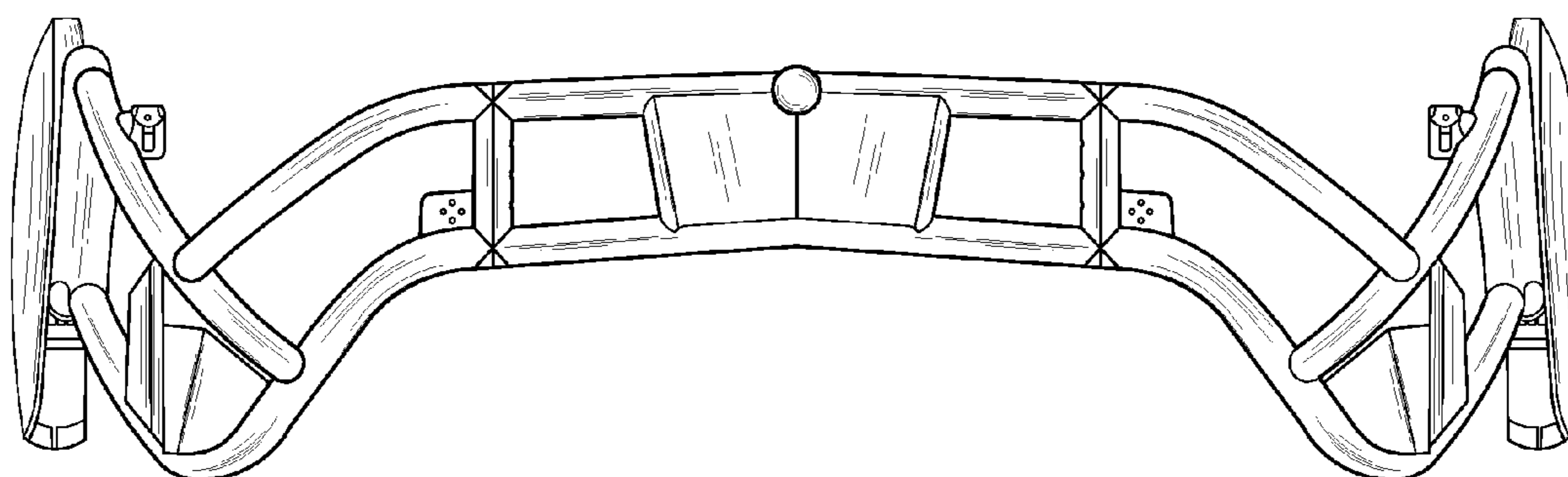


FIG. 3

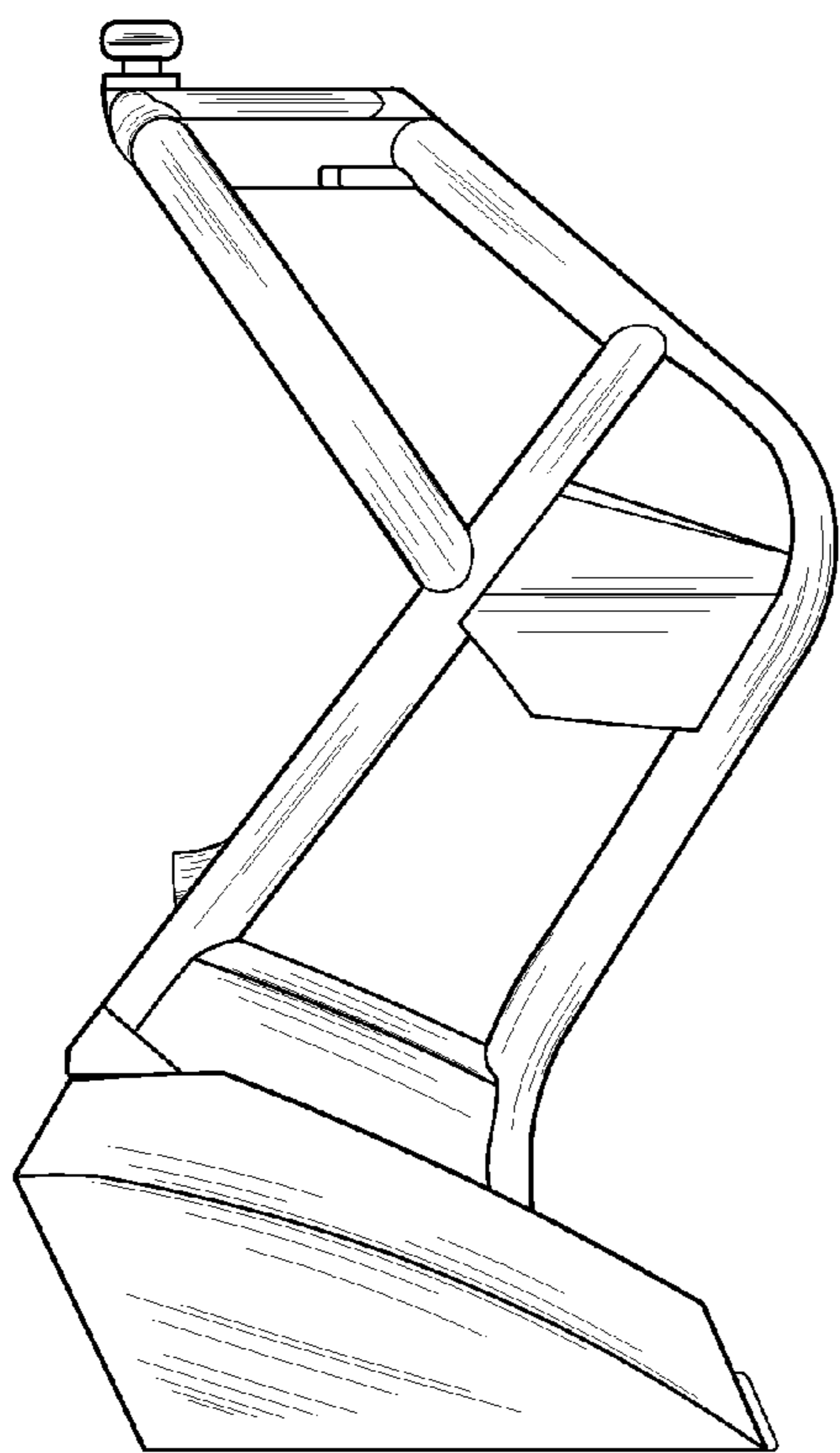


FIG. 4

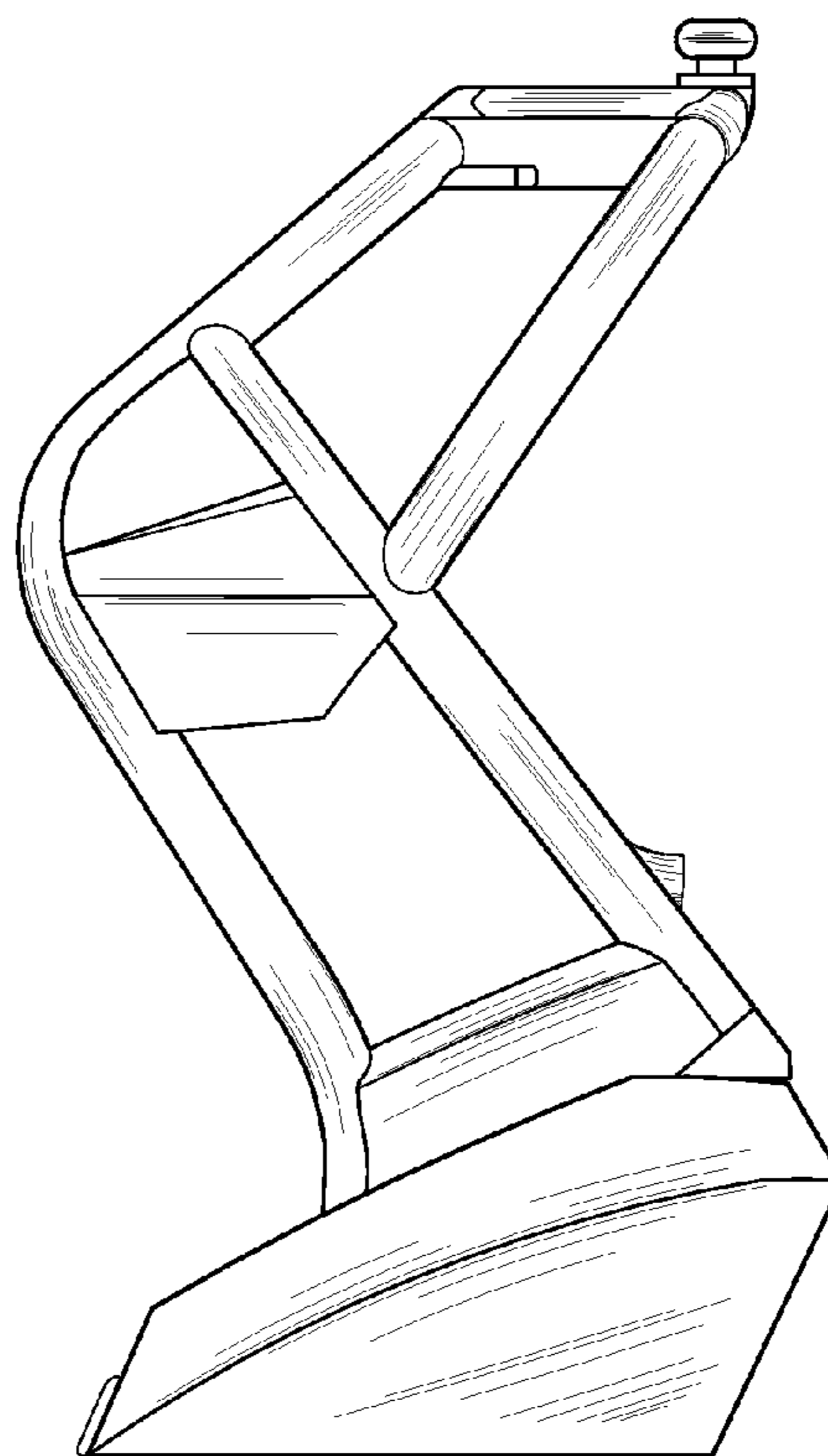


FIG. 5