



US00D664494S

(12) **United States Design Patent**
Schenk

(10) **Patent No.:** **US D664,494 S**
(45) **Date of Patent:** **** Jul. 31, 2012**

(54) **ARTICULATING YACHT BOARDING STAIRS**

(75) Inventor: **Todd W. Schenk**, Deep River, CT (US)

(73) Assignee: **Exclusive Yacht Sales, L.L.C.**, Essex, CT (US)

(**) Term: **14 Years**

(21) Appl. No.: **29/401,338**

(22) Filed: **Sep. 10, 2011**

(51) **LOC (9) Cl.** **12-06**

(52) **U.S. Cl.** **D12/317; D25/62**

(58) **Field of Classification Search** D12/300-318;
D25/62, 63, 64, 68, 69; 52/182, 183; 114/362;
182/84, 88, 156, 159

See application file for complete search history.

(56) **References Cited**

U.S. PATENT DOCUMENTS

4,959,935	A *	10/1990	Stob	52/183
D329,420	S *	9/1992	Tsuchiya	D12/317
D359,470	S *	6/1995	Allyn	D12/317
5,454,196	A *	10/1995	Gaines et al.	52/183
6,256,946	B1 *	7/2001	Kennedy et al.	52/183
D459,003	S *	6/2002	Hallberg	D25/62
D498,454	S *	11/2004	Garelick et al.	D12/317
8,091,294	B2 *	1/2012	Whalen	52/183

* cited by examiner

Primary Examiner — Cynthia M Chin

(74) *Attorney, Agent, or Firm* — Richard S. Finkelstein

(57) **CLAIM**

I claim the ornamental design of articulating yacht boarding stairs, as shown and described.

DESCRIPTION

FIG. 1 is a perspective view of articulating yacht boarding stairs showing the articulating yacht boarding stairs in a deployed configuration.

FIG. 2 is a front side elevation view of the articulating yacht boarding stairs of FIG. 1.

FIG. 3 is a rear side elevation view of the articulating yacht boarding stairs of FIG. 1.

FIG. 4 is a right side elevation view of the articulating yacht boarding stairs of FIG. 1.

FIG. 5 is a perspective view showing a bottom of a top step of the articulating yacht boarding stairs of FIG. 1.

FIG. 6 is a front side elevation view of the articulating yacht boarding stairs of FIG. 1 in a stowed configuration.

FIG. 7 is a rear side elevation view of the articulating yacht boarding stairs of FIG. 1 in a stowed configuration; and,

FIG. 8 is a right side elevation view of the articulating yacht boarding stairs of FIG. 1 in a deployed configuration and shown mounted to a yacht with the leg portions supported by a dock structure.

The broken lines shown are included for the purpose of illustrating the unclaimed portions of the article and forms no part of the claimed design. While a right side of the articulating yacht boarding stairs is illustrated, the left side is a mirror image to the right side of the yacht boarding stairs.

Portions of the claimed design are shown separated to indicate that no particular length is being claimed.

1 Claim, 8 Drawing Sheets

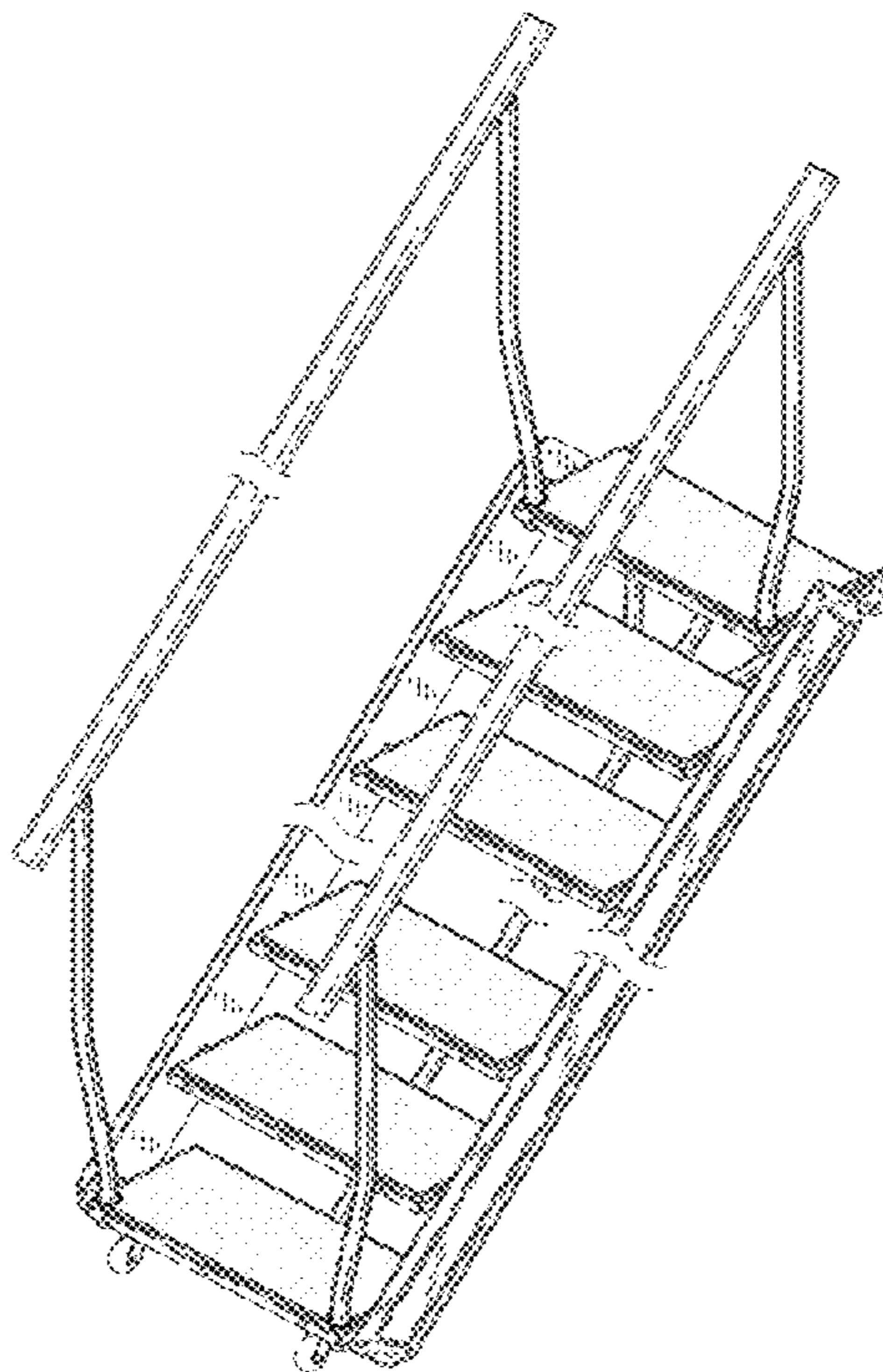
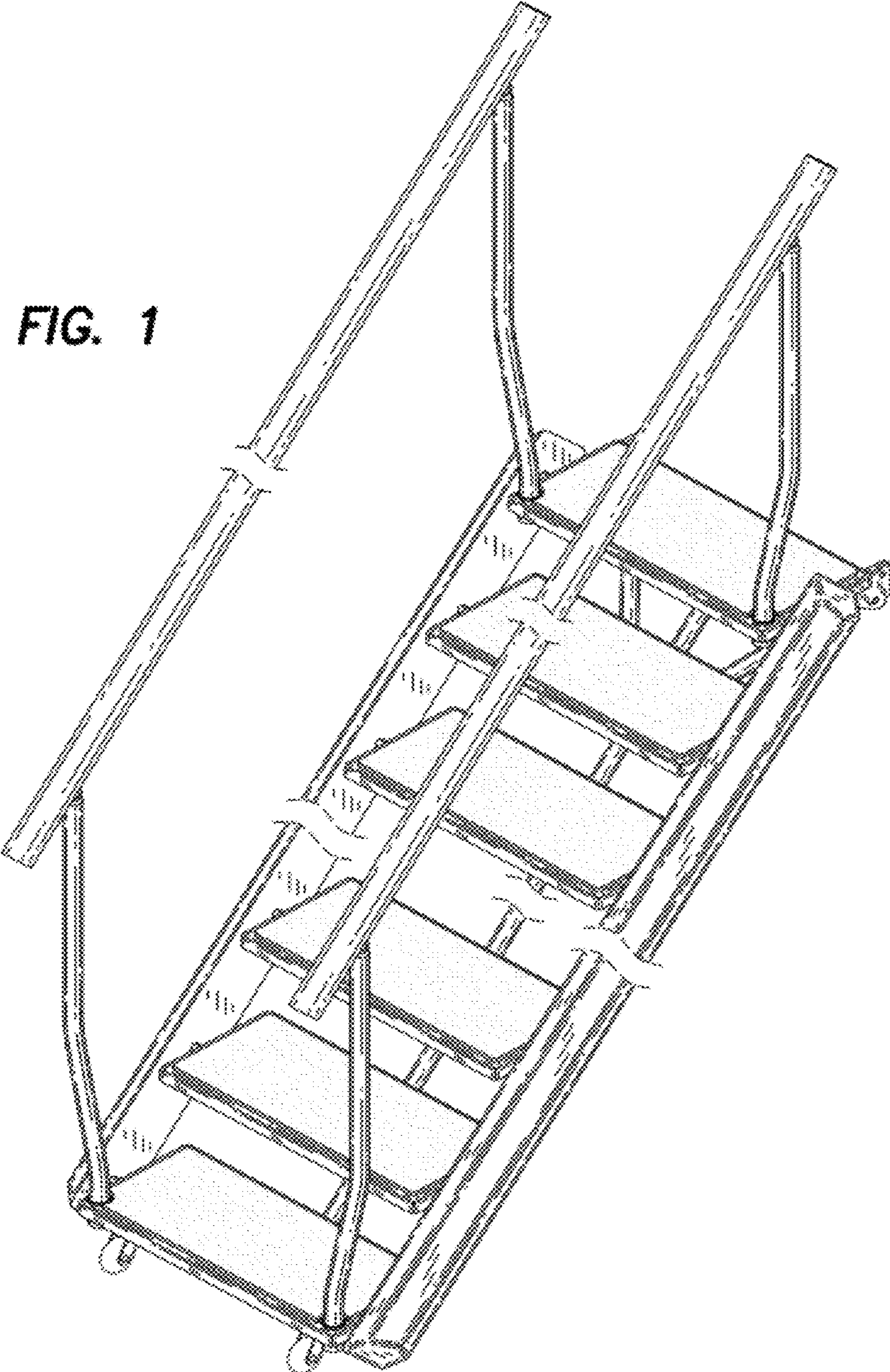


FIG. 1



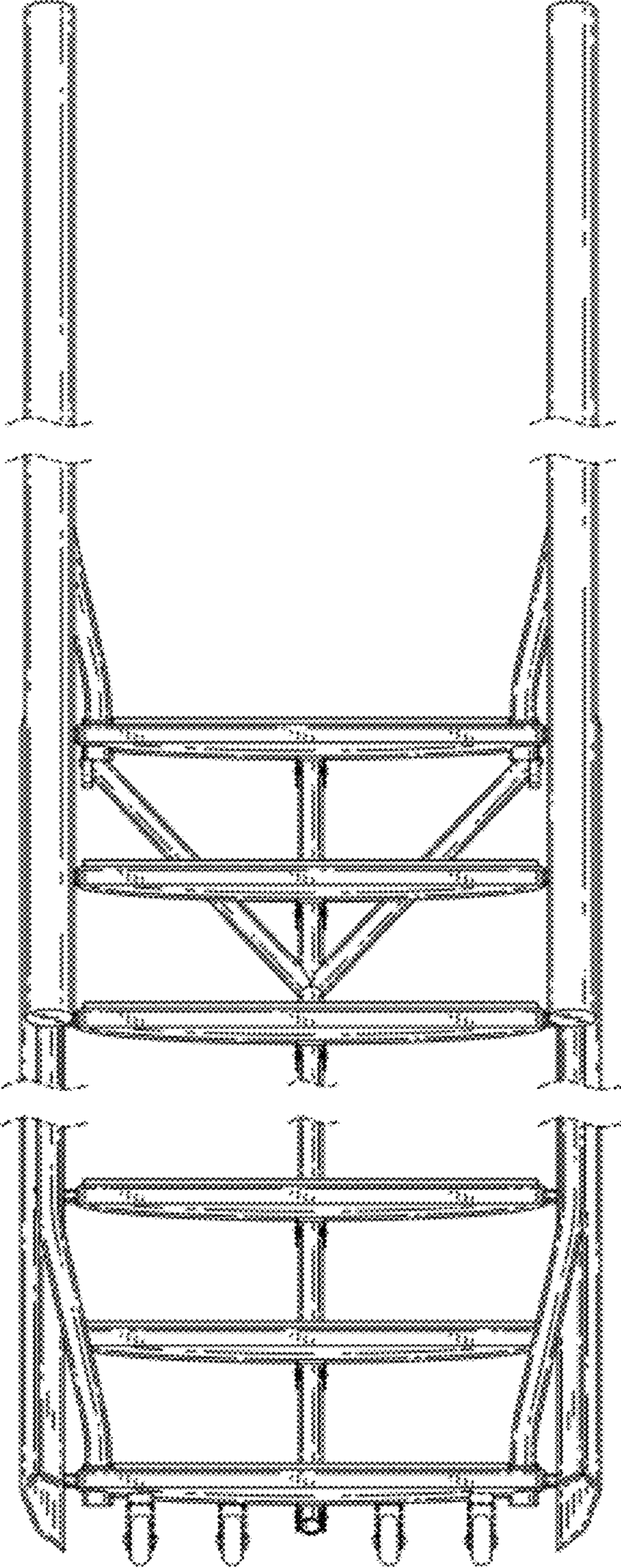


FIG. 2

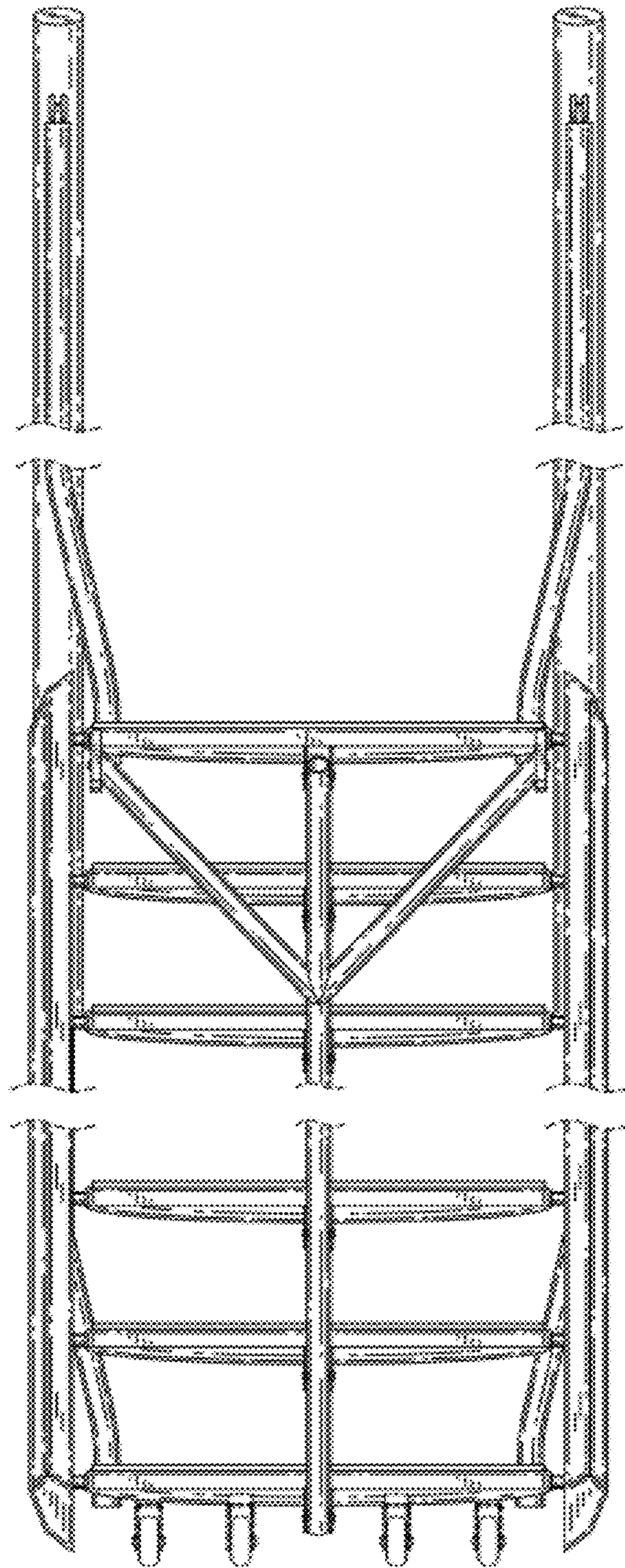


FIG. 3

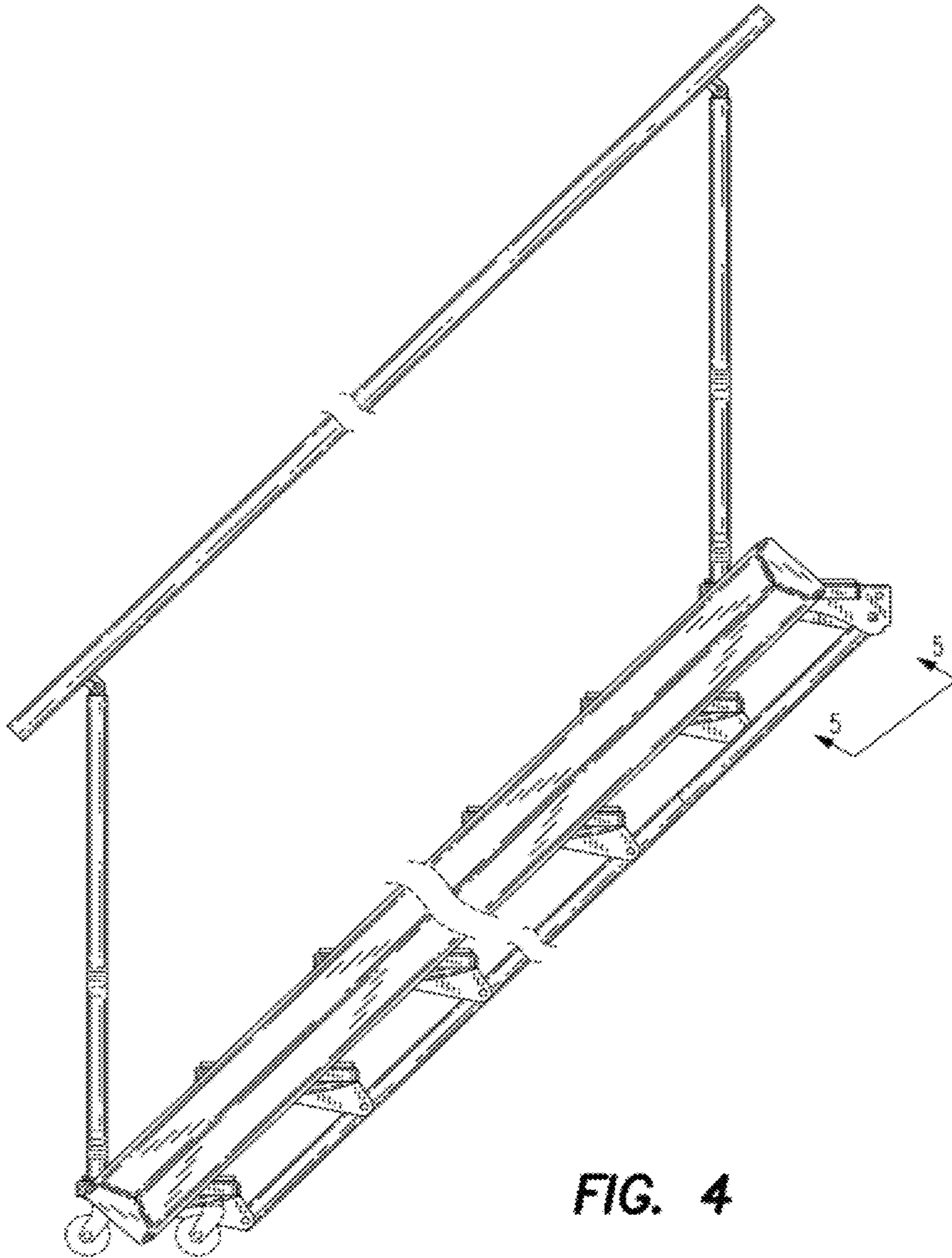


FIG. 4

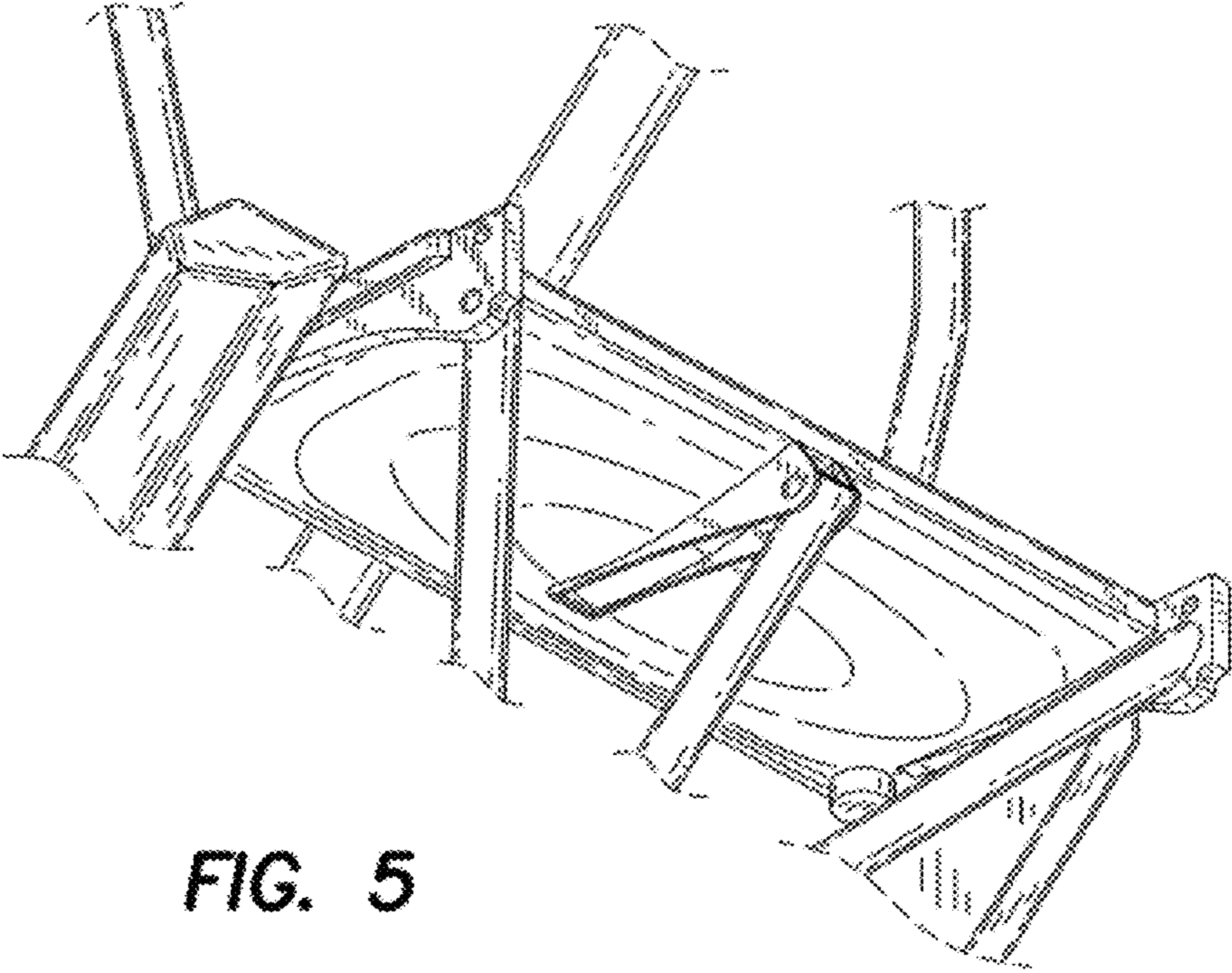


FIG. 5

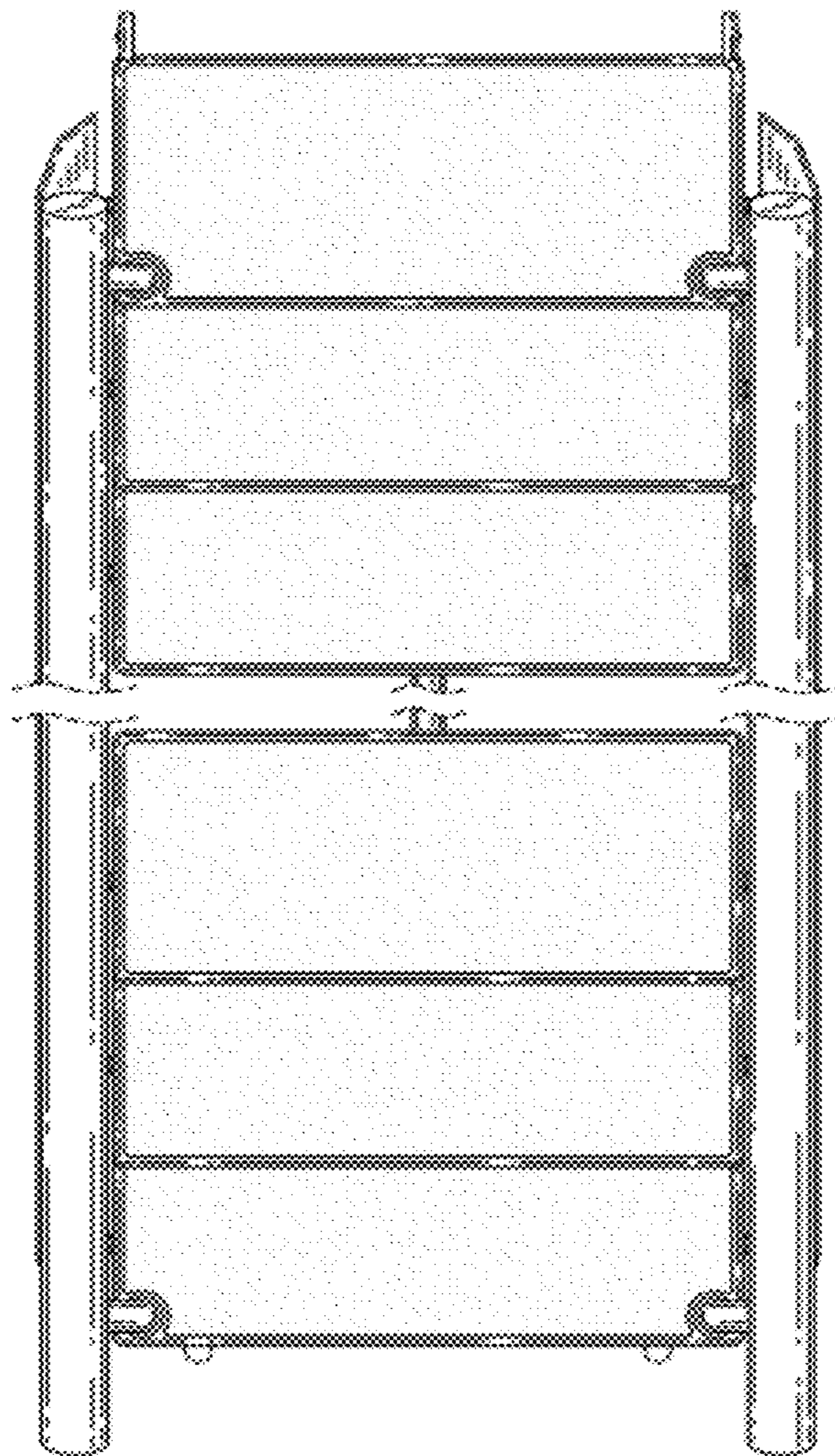


FIG. 6

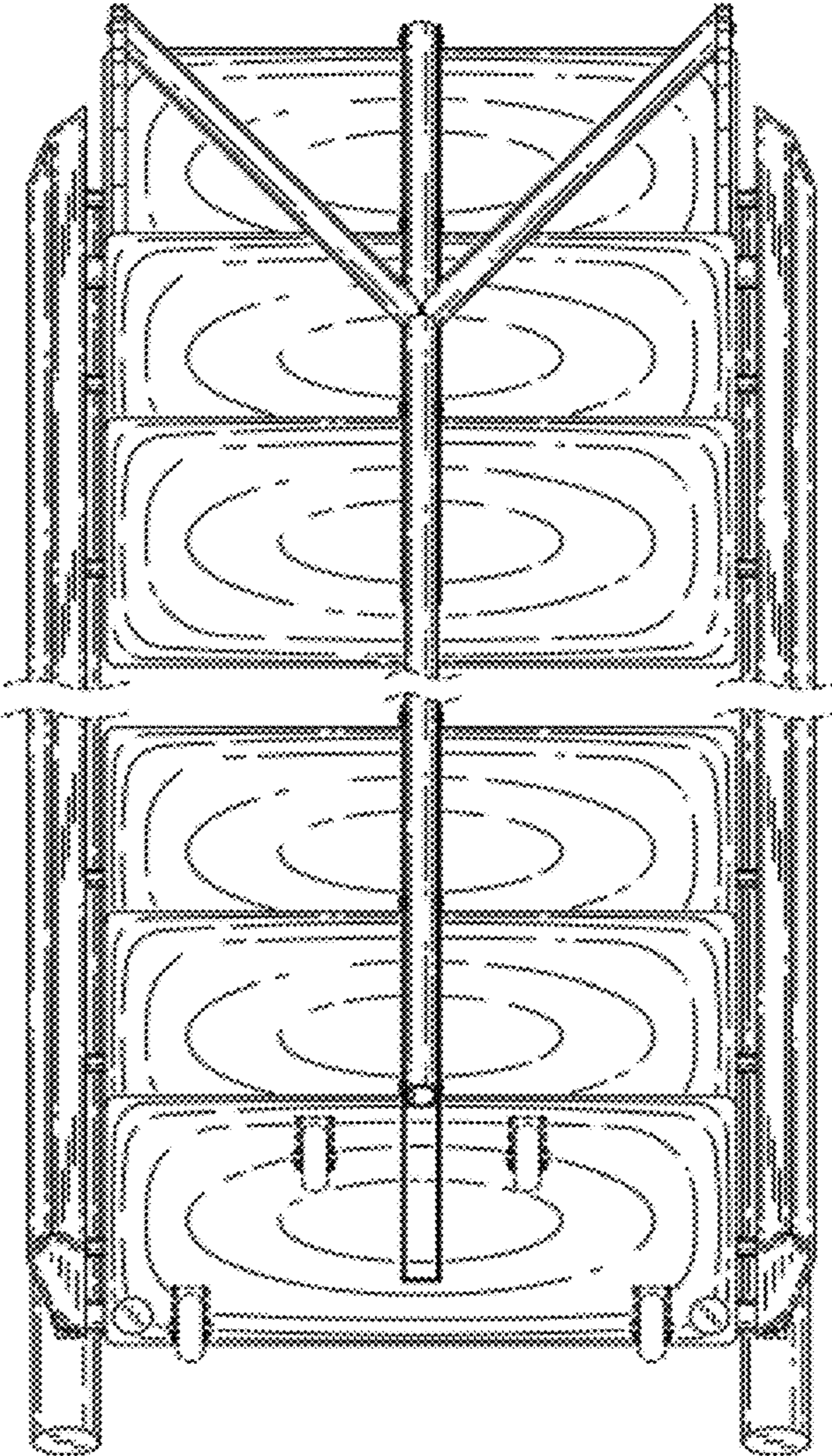


FIG. 7

FIG. 8

