

US00D664492S

(12) **United States Design Patent**
Witting et al.

(10) **Patent No.:** **US D664,492 S**
(45) **Date of Patent:** **** Jul. 31, 2012**

(54) **GOOSENECK TRAILER MIRROR BRACKET**

(75) Inventors: **Craig L. Witting**, Keosauqua, IA (US);
James E. Jury, Farmington, IA (US);
Howard Graber, Bonaparte, IA (US)

(73) Assignee: **JGW Enterprises**, Farmington, IA (US)

(**) Term: **14 Years**

(21) Appl. No.: **29/388,029**

(22) Filed: **Mar. 23, 2011**

(51) **LOC (9) Cl.** **12-06**

(52) **U.S. Cl.** **D12/223; D8/354**

(58) **Field of Classification Search** D12/223,
D12/187; D8/349, 354, 366; 359/841, 872,
359/881; 248/466, 474, 480-481, 484-485
See application file for complete search history.

(56) **References Cited**

U.S. PATENT DOCUMENTS

3,524,701	A	8/1970	Strohmeier	
D329,631	S *	9/1992	Cameron	D12/187
D338,649	S *	8/1993	Kuny	D12/187
5,235,468	A *	8/1993	Stephens	359/841
D344,485	S *	2/1994	Linne et al.	D12/187
5,309,289	A *	5/1994	Johnson	359/871
D376,805	S *	12/1996	Johansson	D14/253
D432,902	S *	10/2000	Thiel	D8/354
D442,471	S *	5/2001	Willett	D8/354
D462,930	S *	9/2002	McCoy et al.	D12/223

6,955,437	B1 *	10/2005	Roberts	359/841
D526,558	S *	8/2006	Banta	D8/354
D634,254	S *	3/2011	Marlow	D12/223
D650,483	S *	12/2011	Roggenkamp	D24/184

* cited by examiner

Primary Examiner — Sheryl Lane

(74) *Attorney, Agent, or Firm* — McKee, Voorhees & Sease, P.L.C.

(57) **CLAIM**

We claim the ornamental design for a gooseneck trailer mirror bracket, substantially as shown.

DESCRIPTION

FIG. 1 is a perspective view of the mirror bracket for use on a gooseneck trailer, in accordance with the present invention. FIG. 2 is a front elevation view of the mirror bracket shown in FIG. 1.

FIG. 3 is a rear elevation view of the mirror bracket shown in FIG. 1.

FIG. 4 is a top plan view of the bracket of FIG. 1.

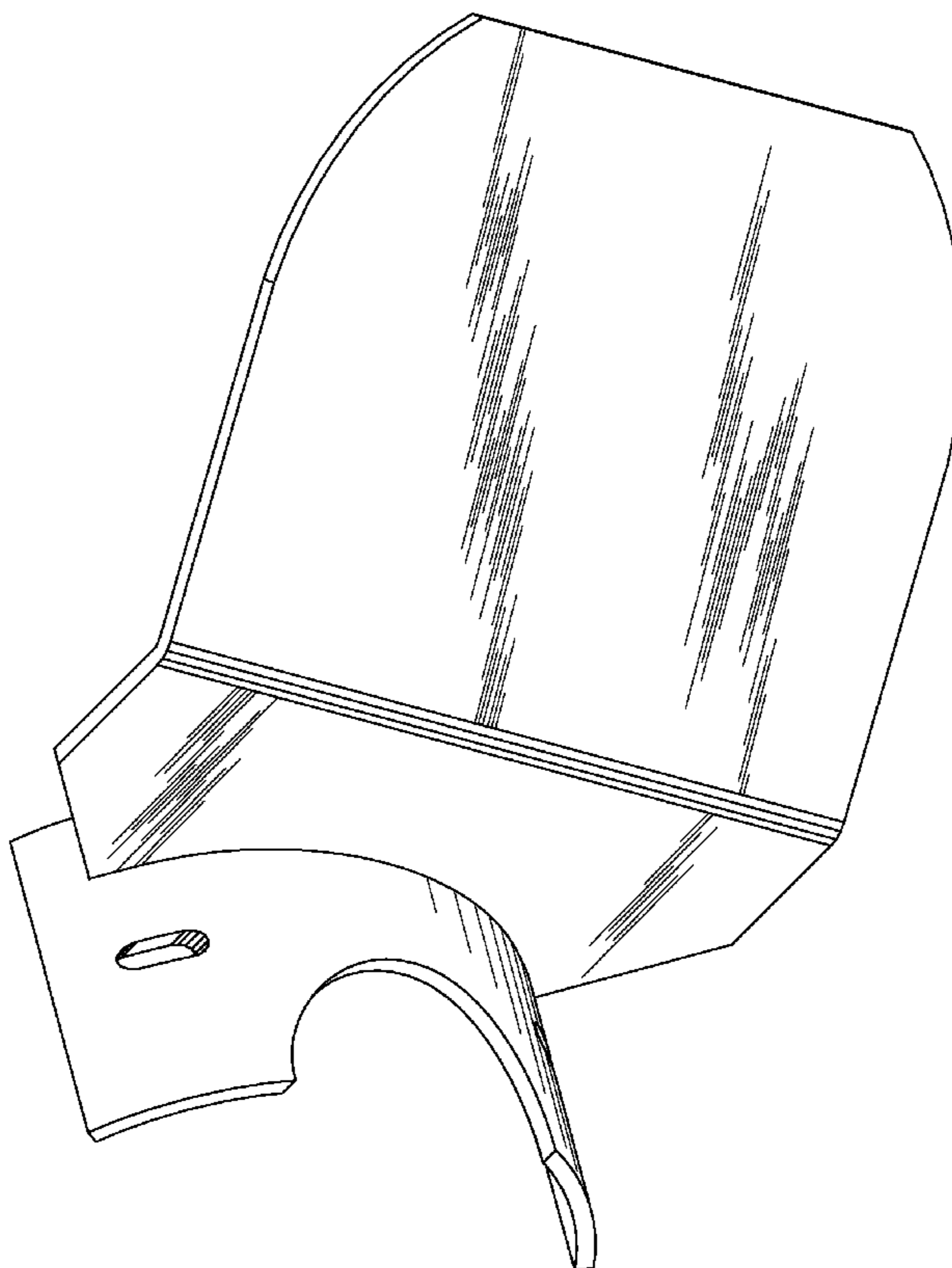
FIG. 5 is a bottom plan view of the mirror bracket of FIG. 1.

FIGS. 6 and 7 are elevation views from opposite sides of the mirror bracket of FIG. 1; and,

FIG. 8 is a perspective view of the mirror bracket of FIG. 1 mounted on the vertical hitch post of a gooseneck trailer, with a mirror on the bracket.

No claim is made to the truck, trailer or mirror shown in broken lines.

1 Claim, 6 Drawing Sheets



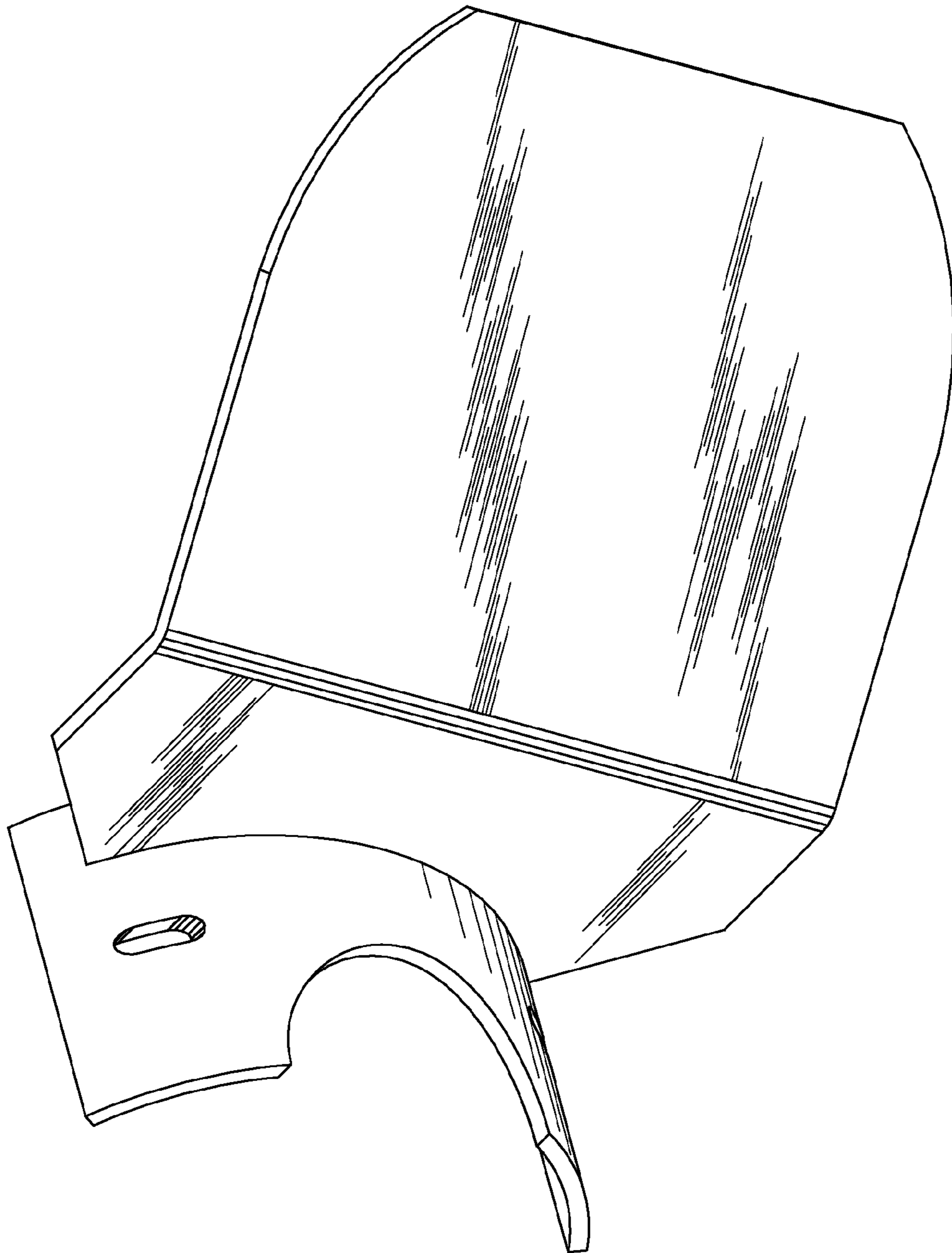


Fig. 1

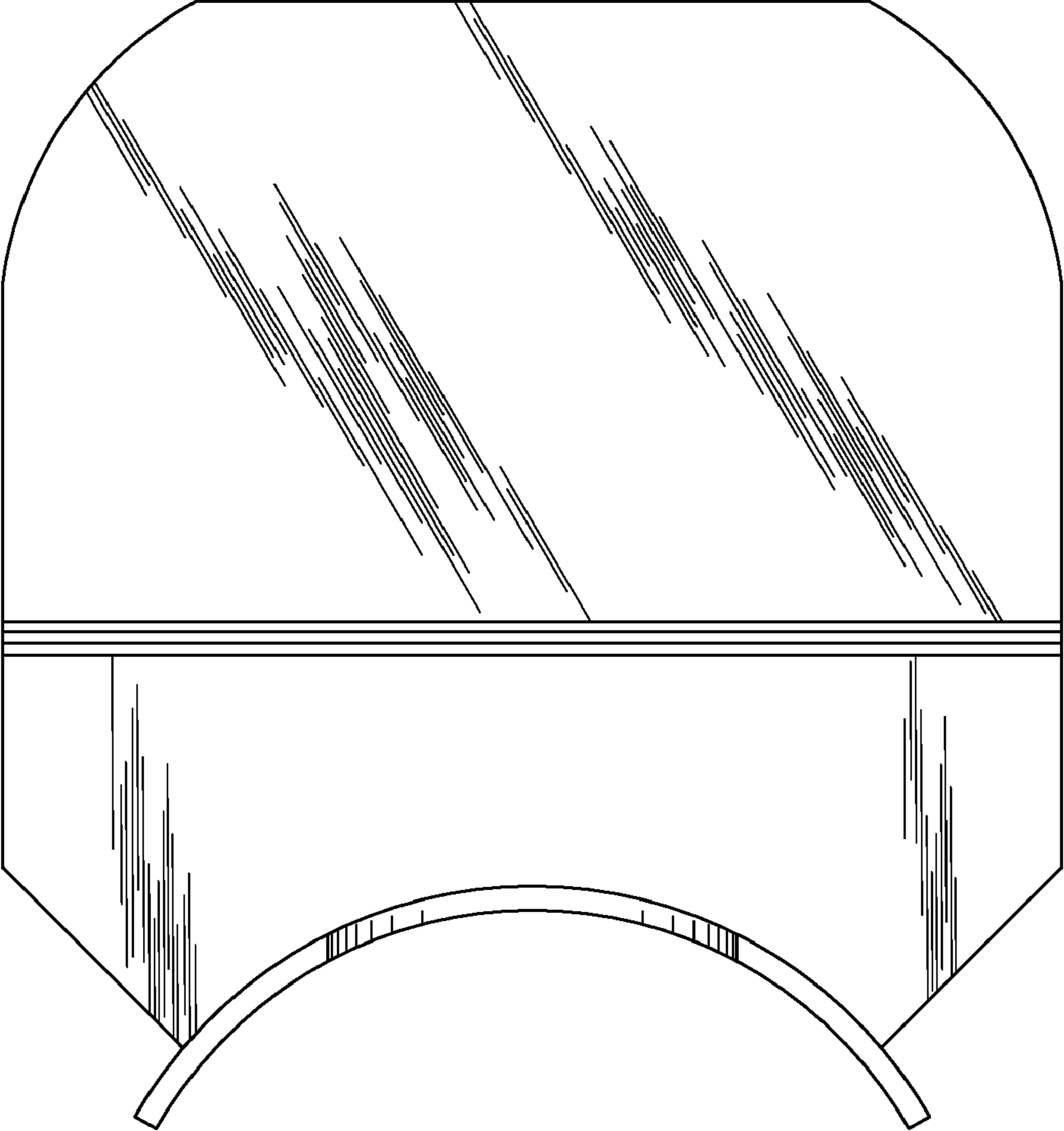


Fig. 2

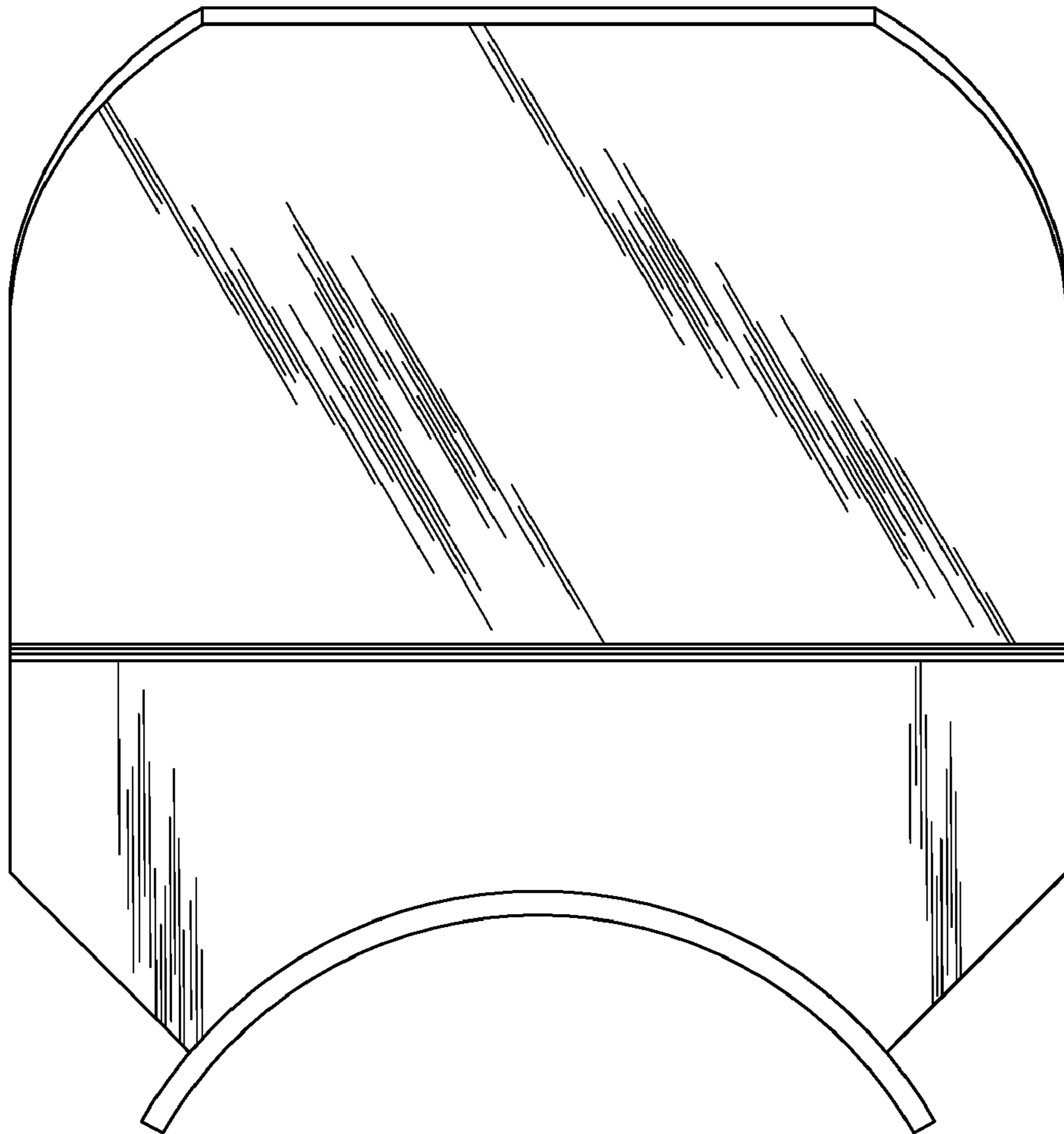


Fig. 3

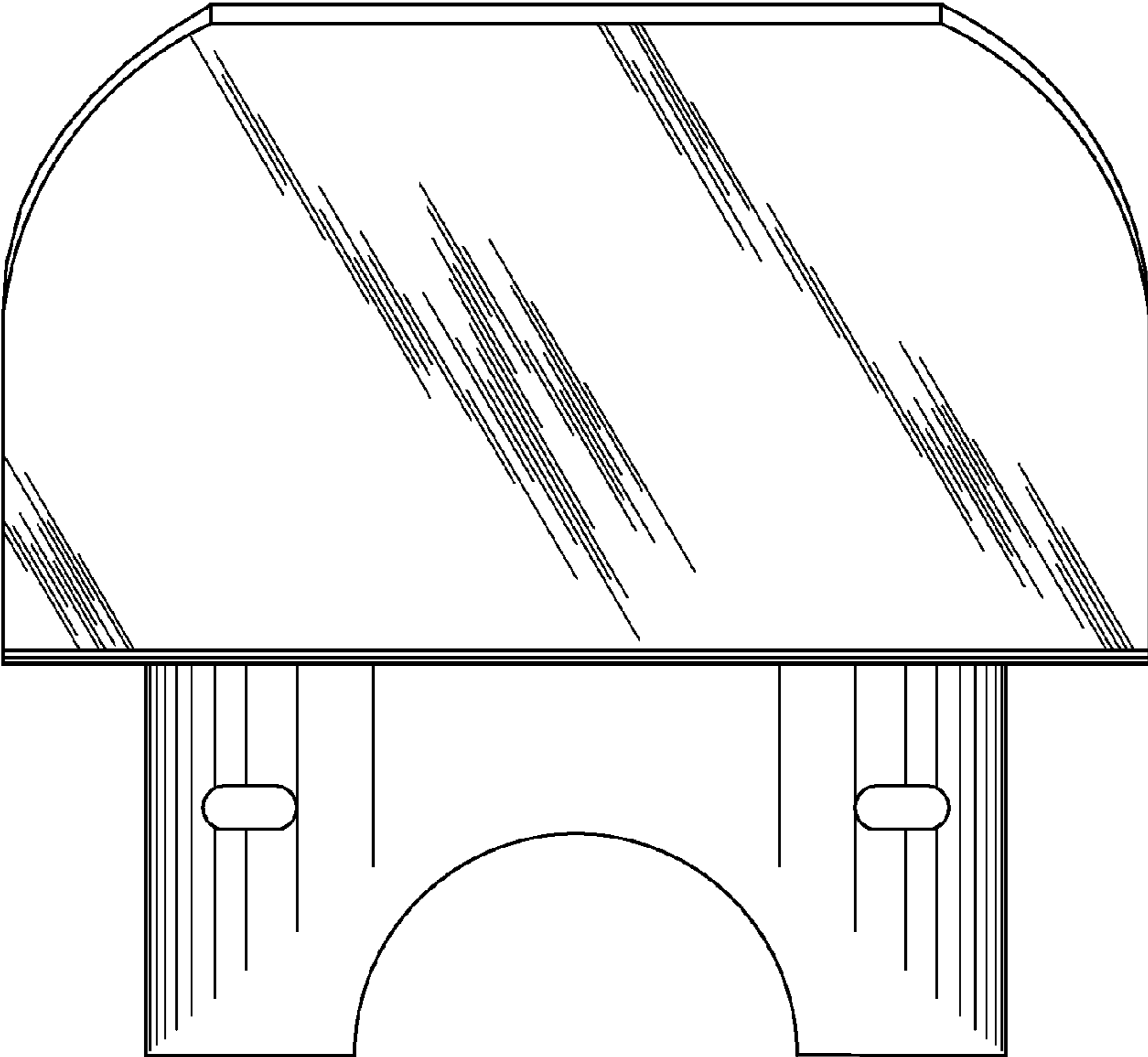


Fig. 4

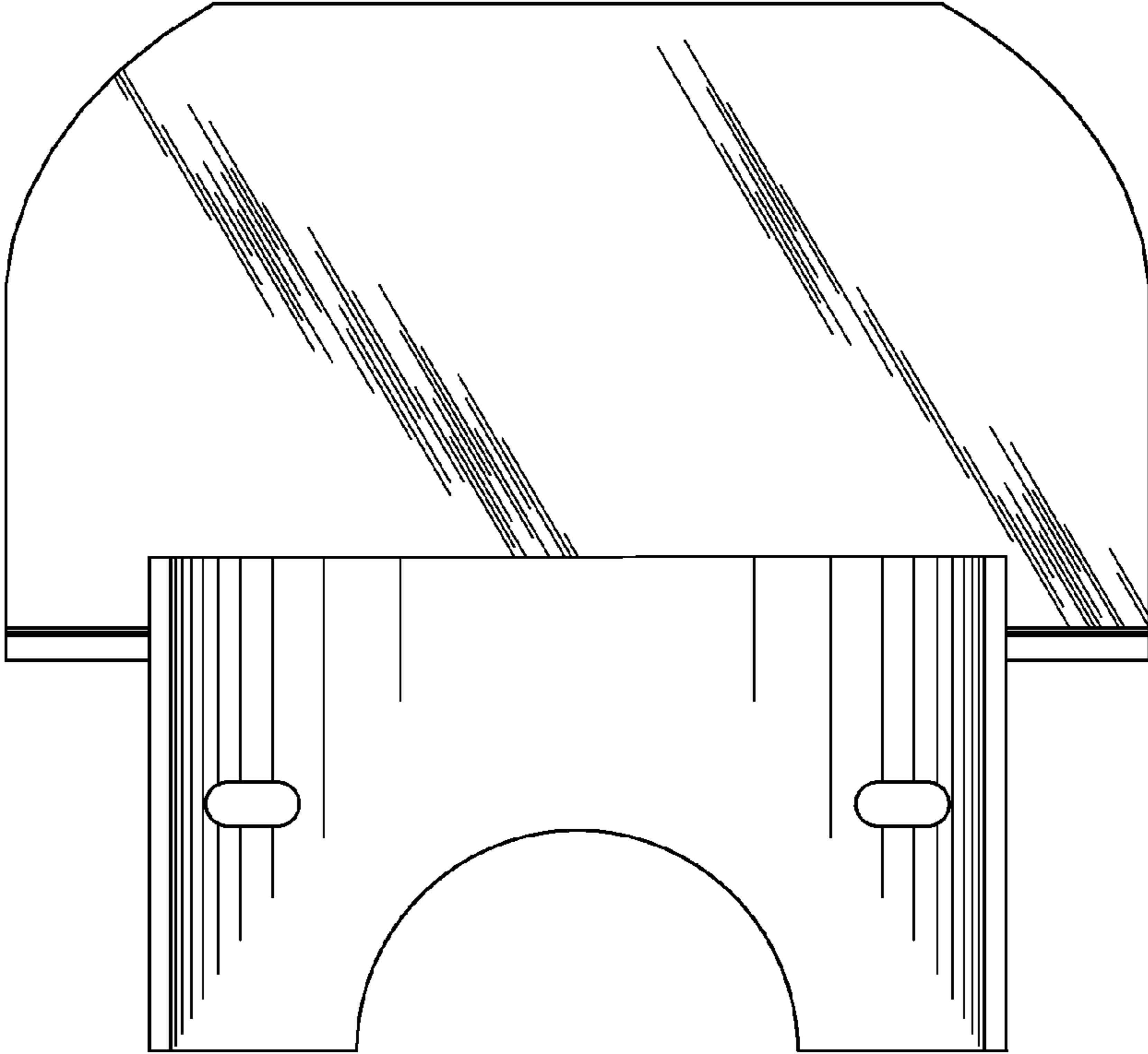


Fig. 5

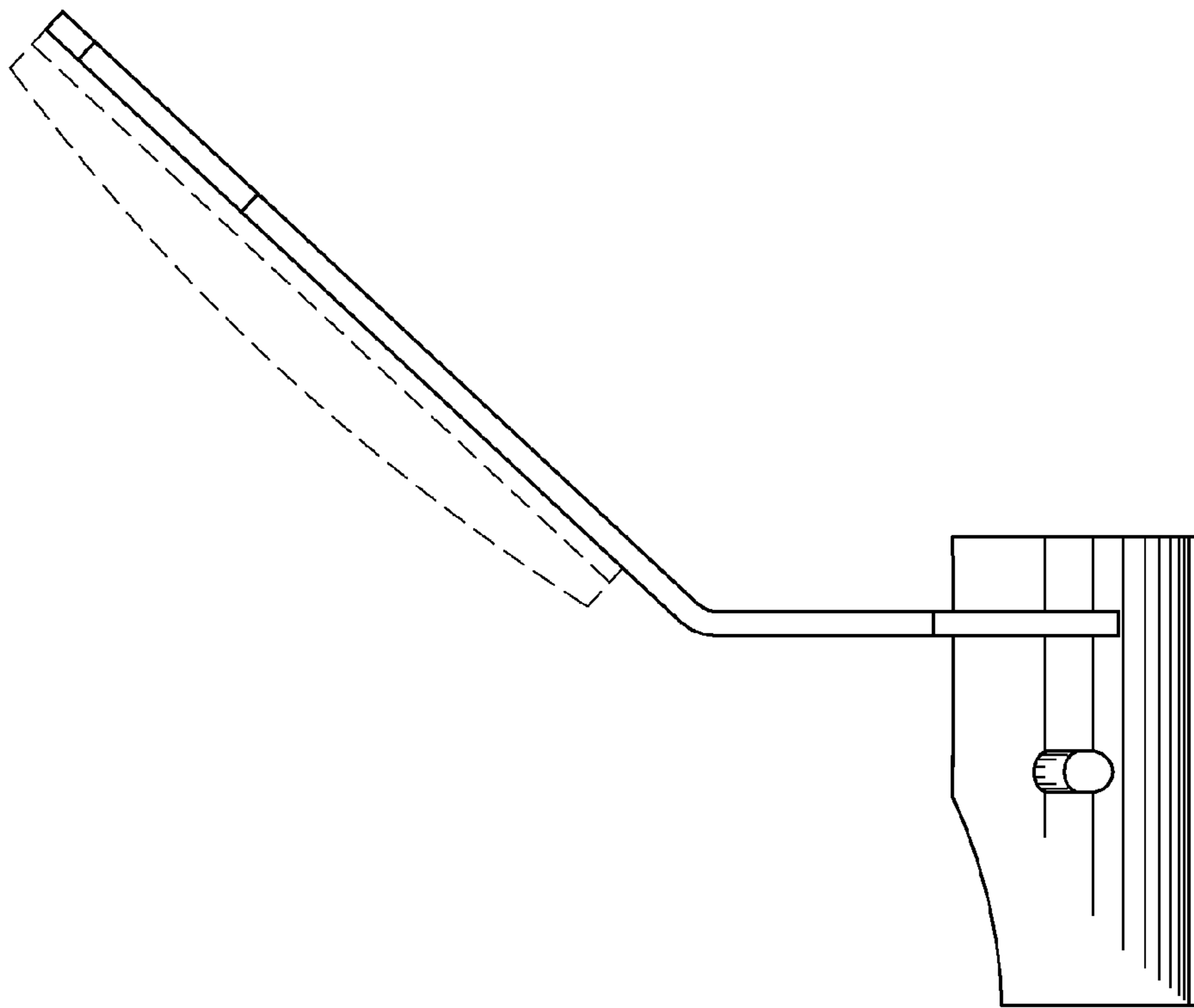


Fig. 6

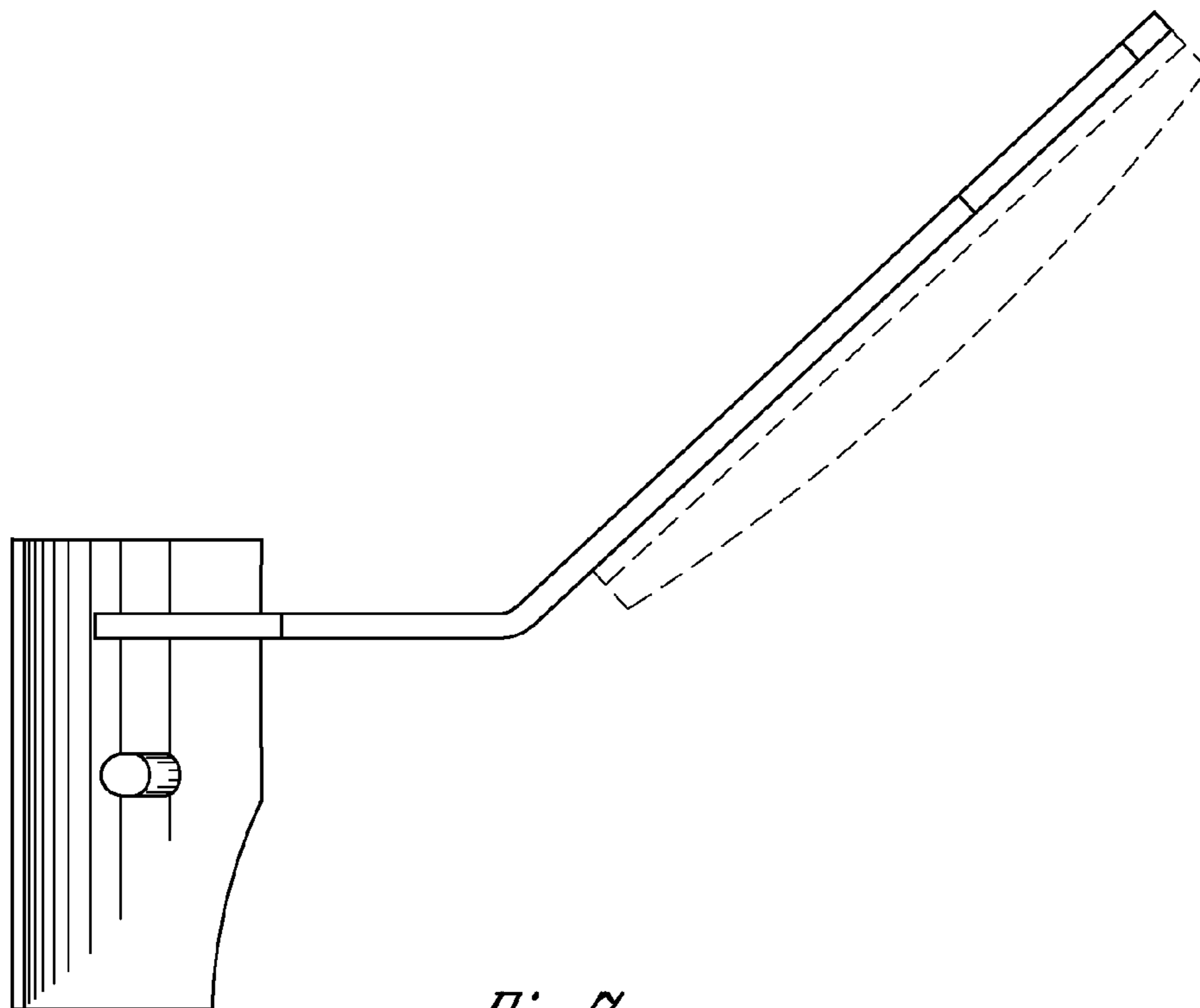


Fig. 7

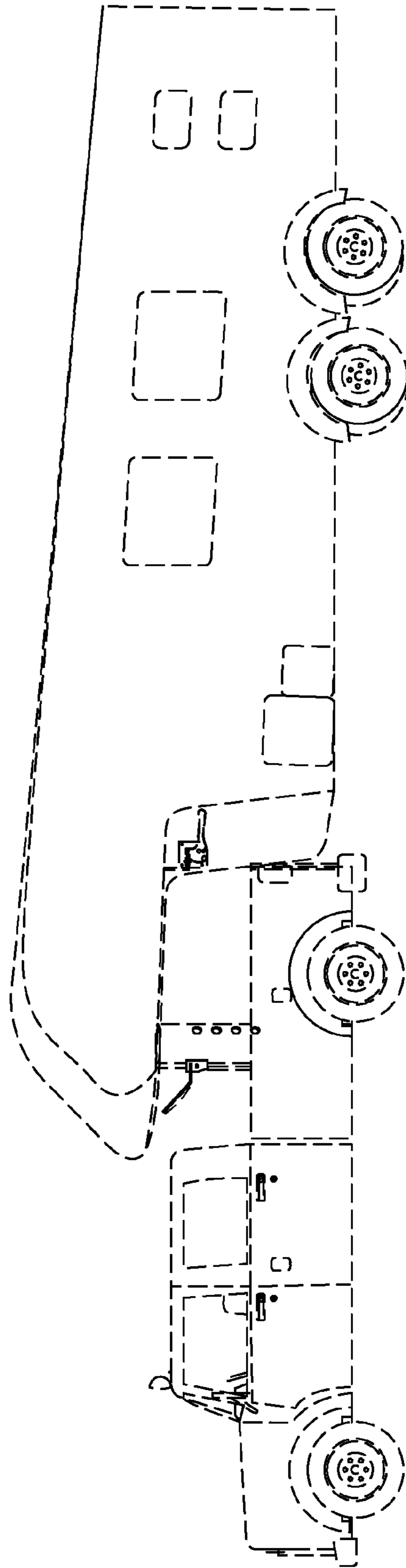


Fig. 8