



US00D664491S

(12) **United States Design Patent**
Kawamoto

(10) **Patent No.:** **US D664,491 S**
(45) **Date of Patent:** **** Jul. 31, 2012**

- (54) **WINDSHIELD WIPER ARM**
- (75) Inventor: **Michael Kawamoto**, Berkley, MI (US)
- (73) Assignee: **Trico Products Corporation**, Rochester Hills, MI (US)
- (**) Term: **14 Years**
- (21) Appl. No.: **29/402,266**
- (22) Filed: **Sep. 22, 2011**
- (51) **LOC (9) Cl.** **12-06**
- (52) **U.S. Cl.** **D12/220**
- (58) **Field of Classification Search** D12/219-220;
15/246, 247, 250.001, 250.4, 250.361, 250.19,
15/250.48, 250.03, 250.31-250.33, 250.351,
15/250.38, 250.201, 250.451, 250.458, 250.04,
15/250.07, 250.44
See application file for complete search history.

- D395,865 S * 7/1998 Powell et al. D12/220
- D410,889 S * 6/1999 Lee D12/220
- D432,072 S * 10/2000 Breesch et al. D12/219
- D547,713 S * 7/2007 Goeller D12/220
- D553,552 S * 10/2007 Heng D12/220
- D556,118 S * 11/2007 Claes D12/220
- D564,434 S * 3/2008 Claes D12/220
- D564,955 S * 3/2008 Claes D12/220
- D569,326 S * 5/2008 Biosca-Munt et al. D12/220

* cited by examiner

Primary Examiner — Caron D Veynar

Assistant Examiner — Katrina A Betton

(74) *Attorney, Agent, or Firm* — Bliss McGlynn, P.C.

(57) **CLAIM**

The ornamental design for a windshield wiper arm, as shown and described.

DESCRIPTION

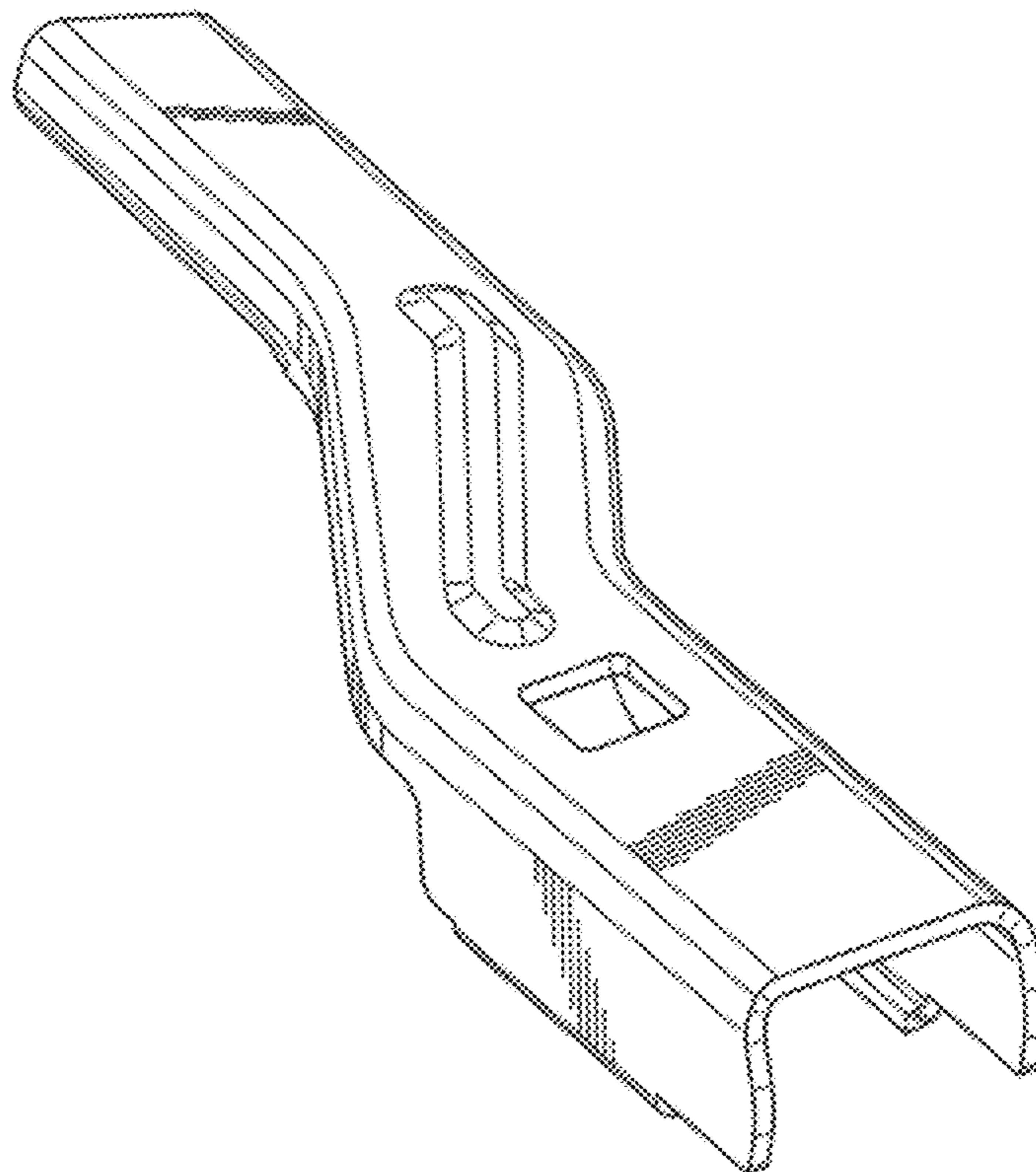
FIG. 1 is a perspective view of the windshield wiper arm design of the present invention;
 FIG. 2 is a top view thereof;
 FIG. 3 is a side view thereof;
 FIG. 4 is an end view thereof;
 FIG. 5 is a view of the opposite end thereof;
 FIG. 6 is an opposite side view thereof; and,
 FIG. 7 is a bottom view thereof.

1 Claim, 3 Drawing Sheets

(56) **References Cited**

U.S. PATENT DOCUMENTS

- D178,840 S * 9/1956 Krohm D12/220
- D178,846 S * 9/1956 Norris D7/308
- D342,225 S * 12/1993 Heckman et al. D12/220
- D353,359 S * 12/1994 Lee D12/220
- D389,449 S * 1/1998 Hussaini D12/220



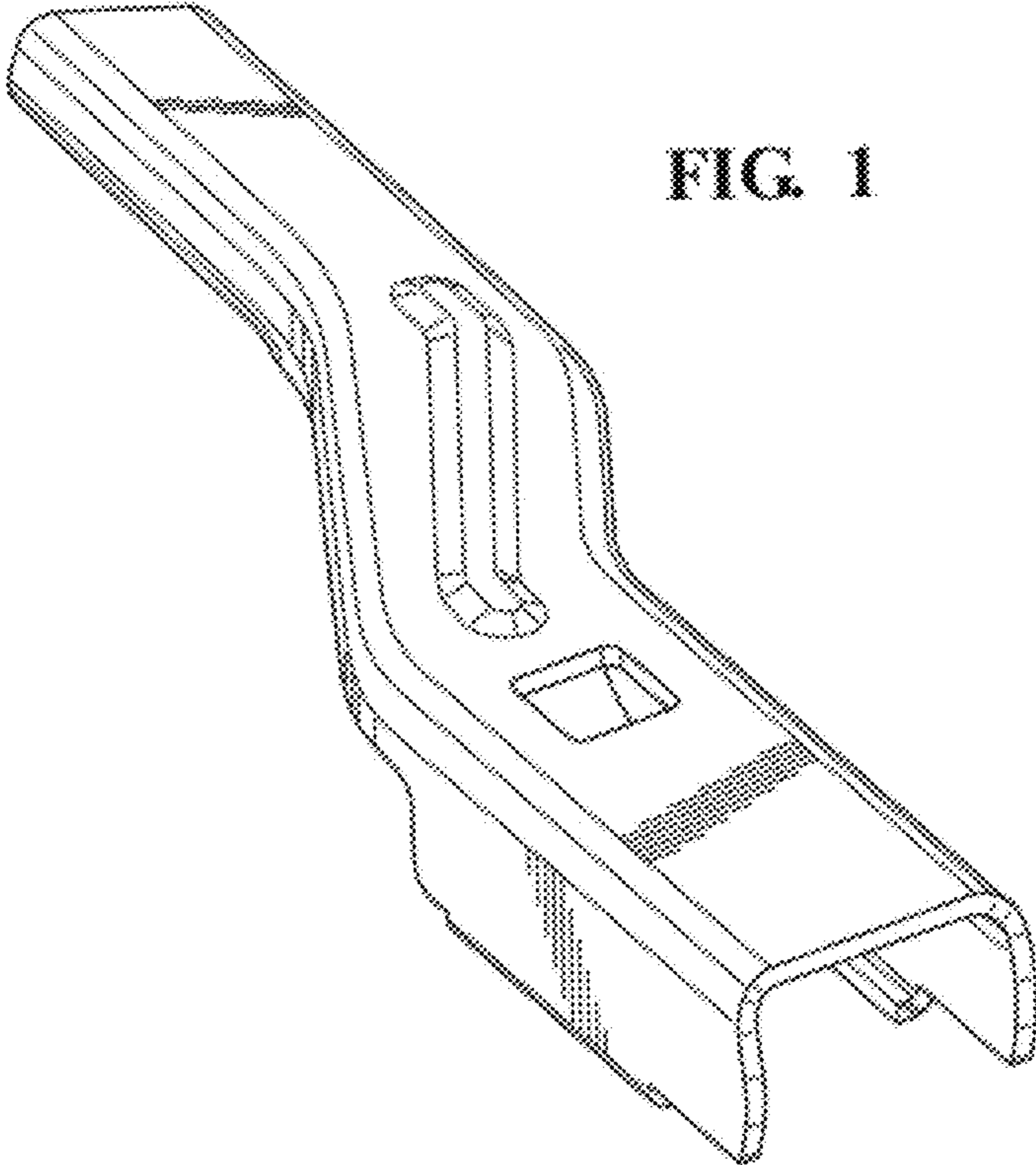


FIG. 1

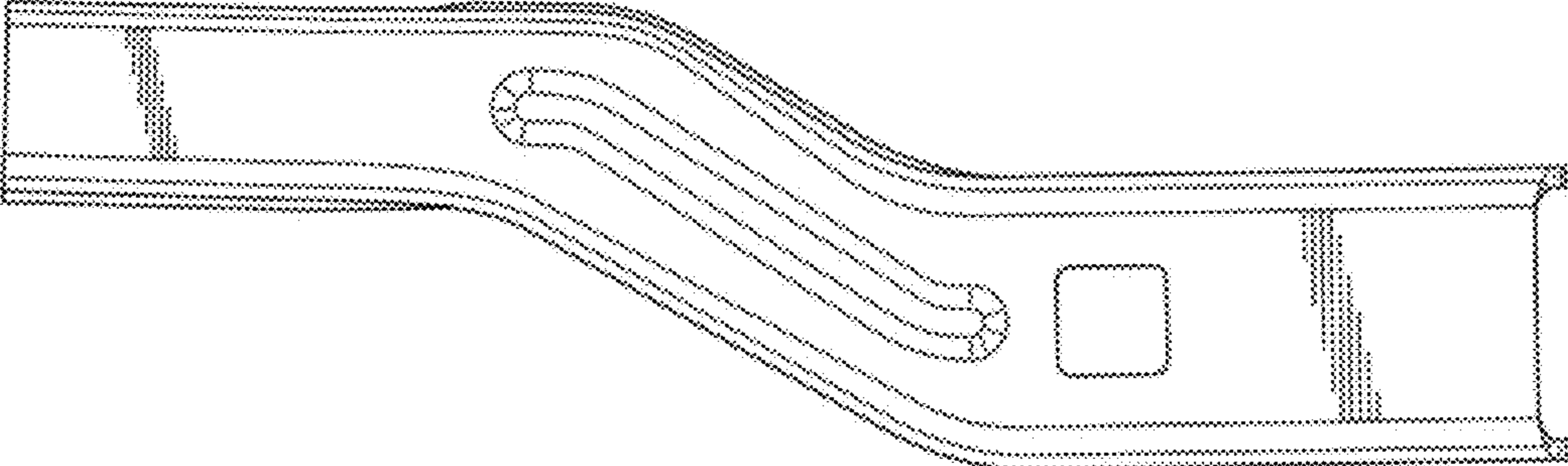


FIG. 2

FIG. 3

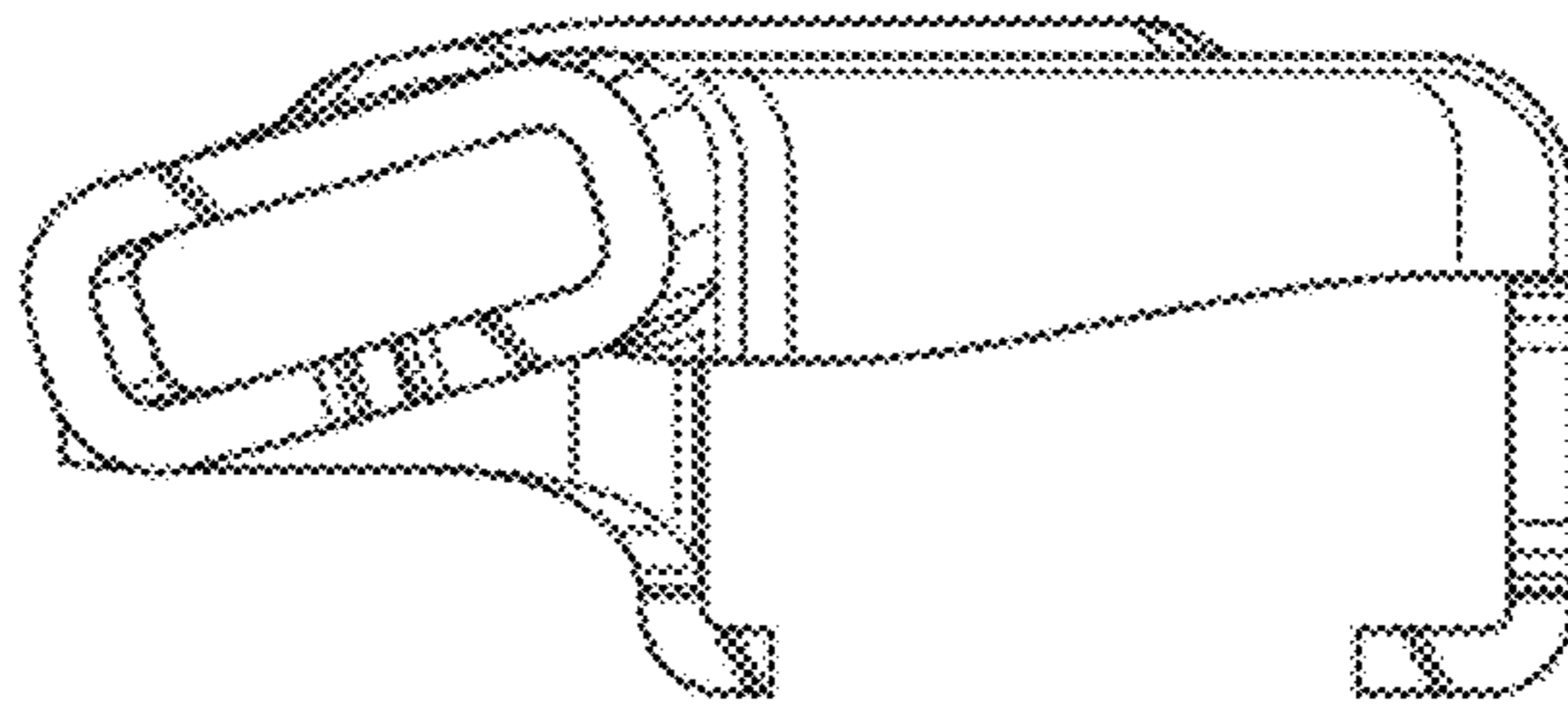
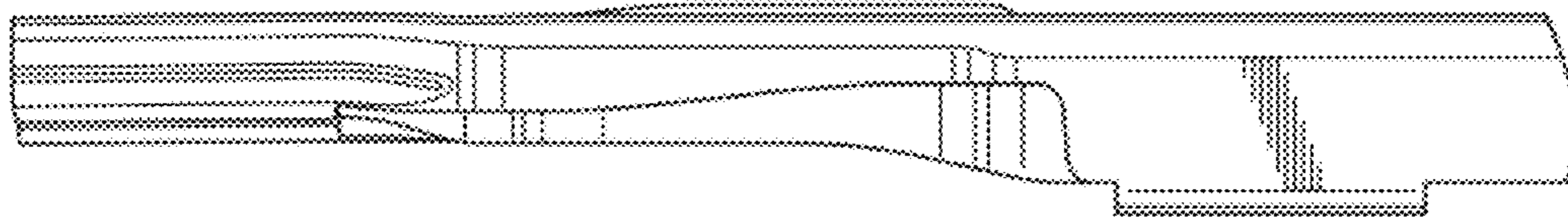


FIG. 4

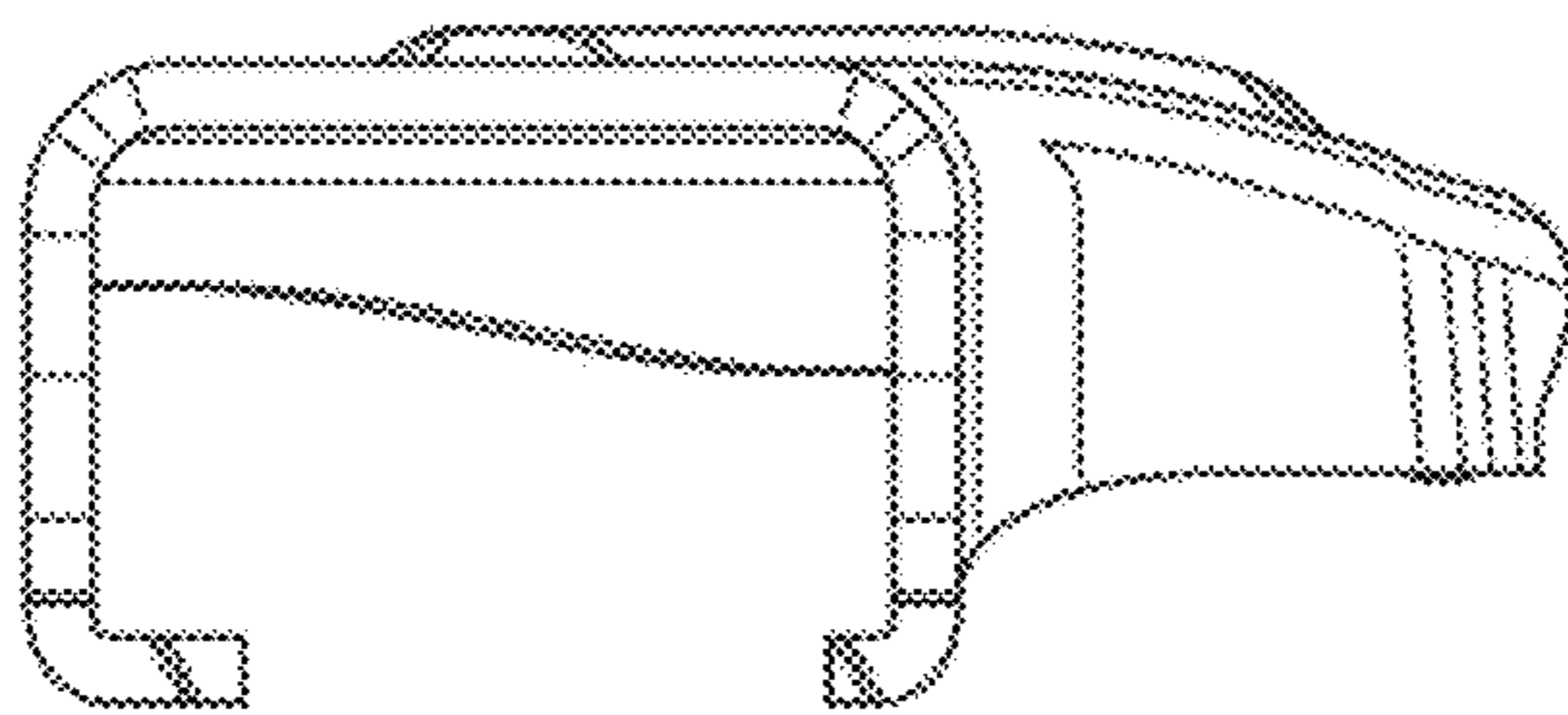


FIG. 5

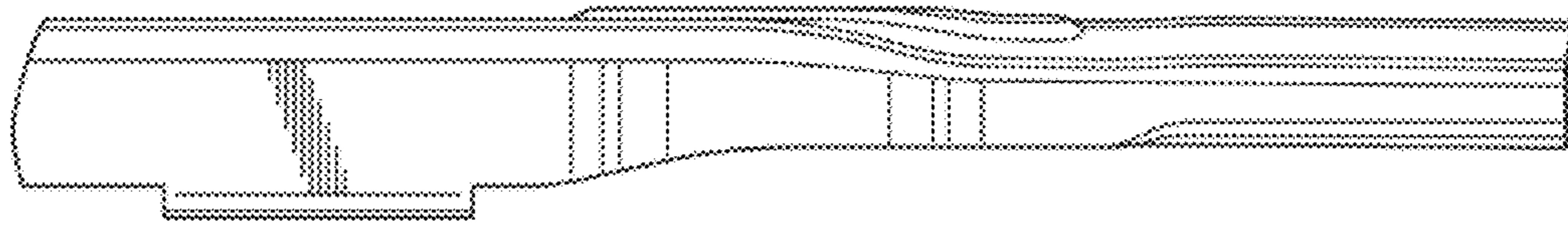


FIG. 6

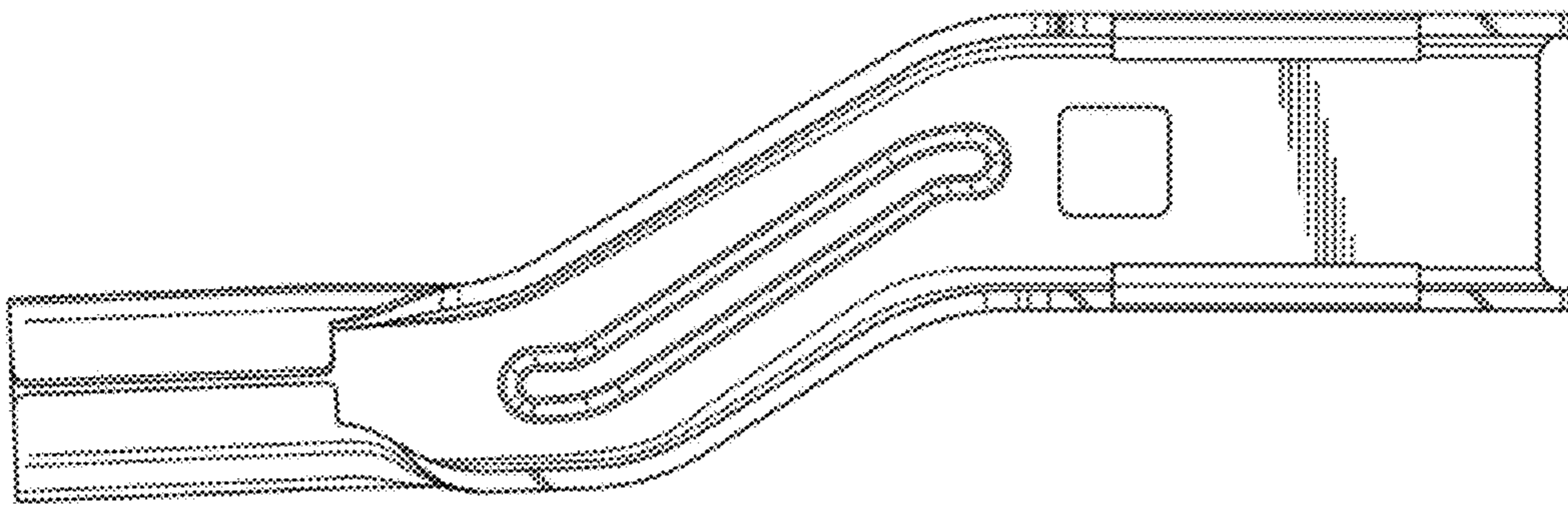


FIG. 7