

US00D664488S

(12) **United States Design Patent**  
**Guille**

(10) **Patent No.:** **US D664,488 S**

(45) **Date of Patent:** **\*\* Jul. 31, 2012**

(54) **WHEEL OR WHEEL COVER**

(75) Inventor: **Nicolas Guille**, Munich (DE)

(73) Assignee: **Bayerische Motoren Werke Aktiengesellschaft**, Munich (DE)

(\*\*) Term: **14 Years**

(21) Appl. No.: **29/393,770**

(22) Filed: **Jun. 9, 2011**

(30) **Foreign Application Priority Data**

Dec. 10, 2010 (DE) ..... 402010006653

(51) **LOC (9) Cl.** ..... **12-16**

(52) **U.S. Cl.** ..... **D12/209**

(58) **Field of Classification Search** ..... D12/204-213;  
301/37.101, 64.101, 65, 64.201  
See application file for complete search history.

(56) **References Cited**

**U.S. PATENT DOCUMENTS**

D425,470 S *	5/2000	Pfeiffer et al.	.....	D12/209
D451,460 S *	12/2001	Arellano	.....	D12/209
D452,839 S	1/2002	Muth et al.		
D455,991 S *	4/2002	Kaucher	.....	D12/209
D460,397 S *	7/2002	Bintoro	.....	D12/209
D581,337 S *	11/2008	Juergens et al.	.....	D12/209
D594,800 S	6/2009	Blasi		
D619,524 S *	7/2010	Gabath	.....	D12/209
D619,951 S *	7/2010	Baum	.....	D12/209

D621,320 S	8/2010	Majdandzic		
D631,812 S	2/2011	Juergens et al.		
D631,814 S	2/2011	Baum		
D652,361 S *	1/2012	Forschner	.....	D12/209
D654,842 S *	2/2012	Blasi	.....	D12/209

**FOREIGN PATENT DOCUMENTS**

DE	40010998.0	3/2001
EM	001036552-0002	11/2009
EM	001663626-0008	3/2010
EM	001635897-0002	10/2010
EM	001772922-0017	10/2010
EM	001693599-0006	6/2011

\* cited by examiner

*Primary Examiner* — Stacia Cadmus

(74) *Attorney, Agent, or Firm* — Crowell & Moring LLP

(57) **CLAIM**

The ornamental design for a wheel or wheel cover, as shown and described.

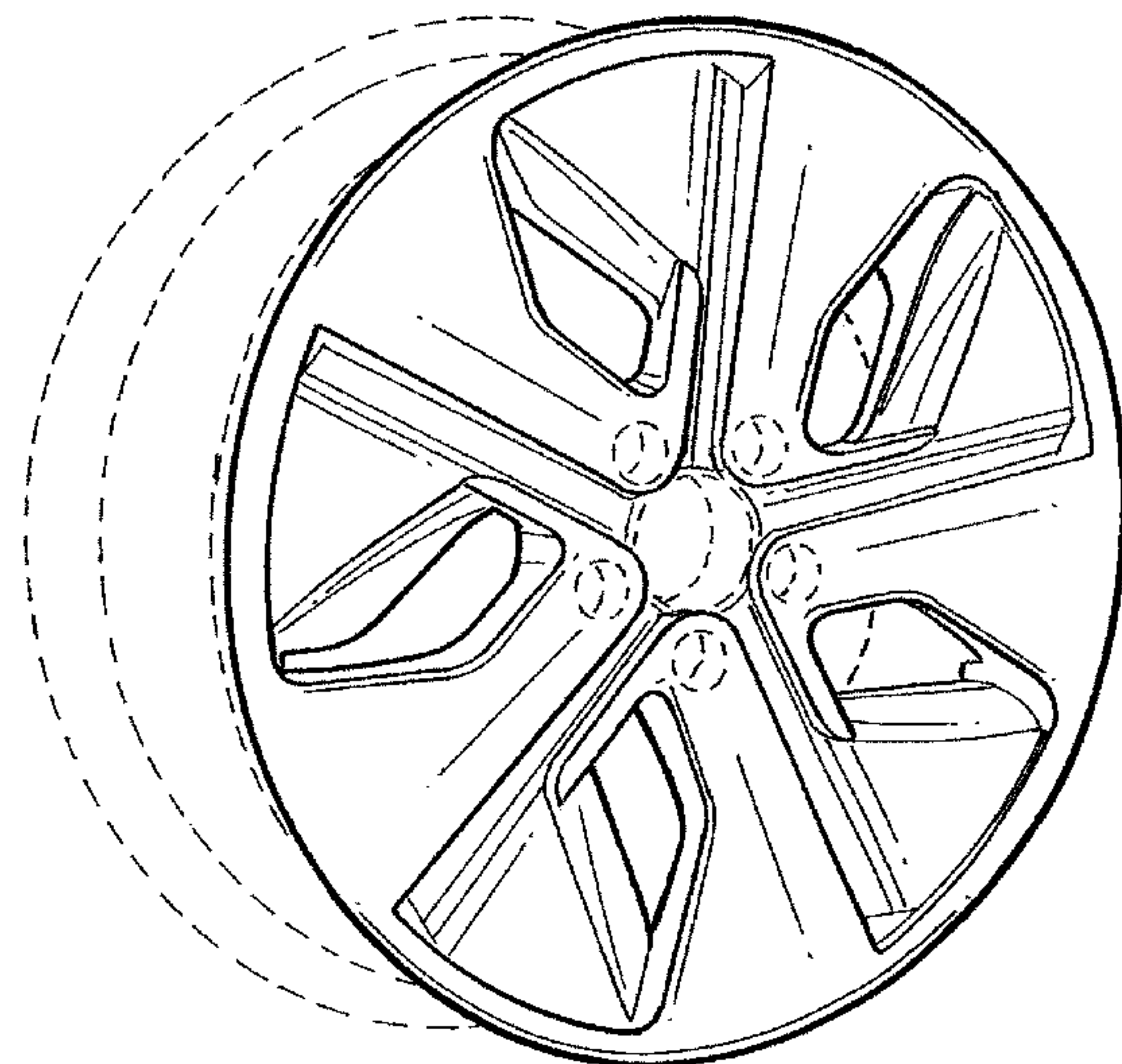
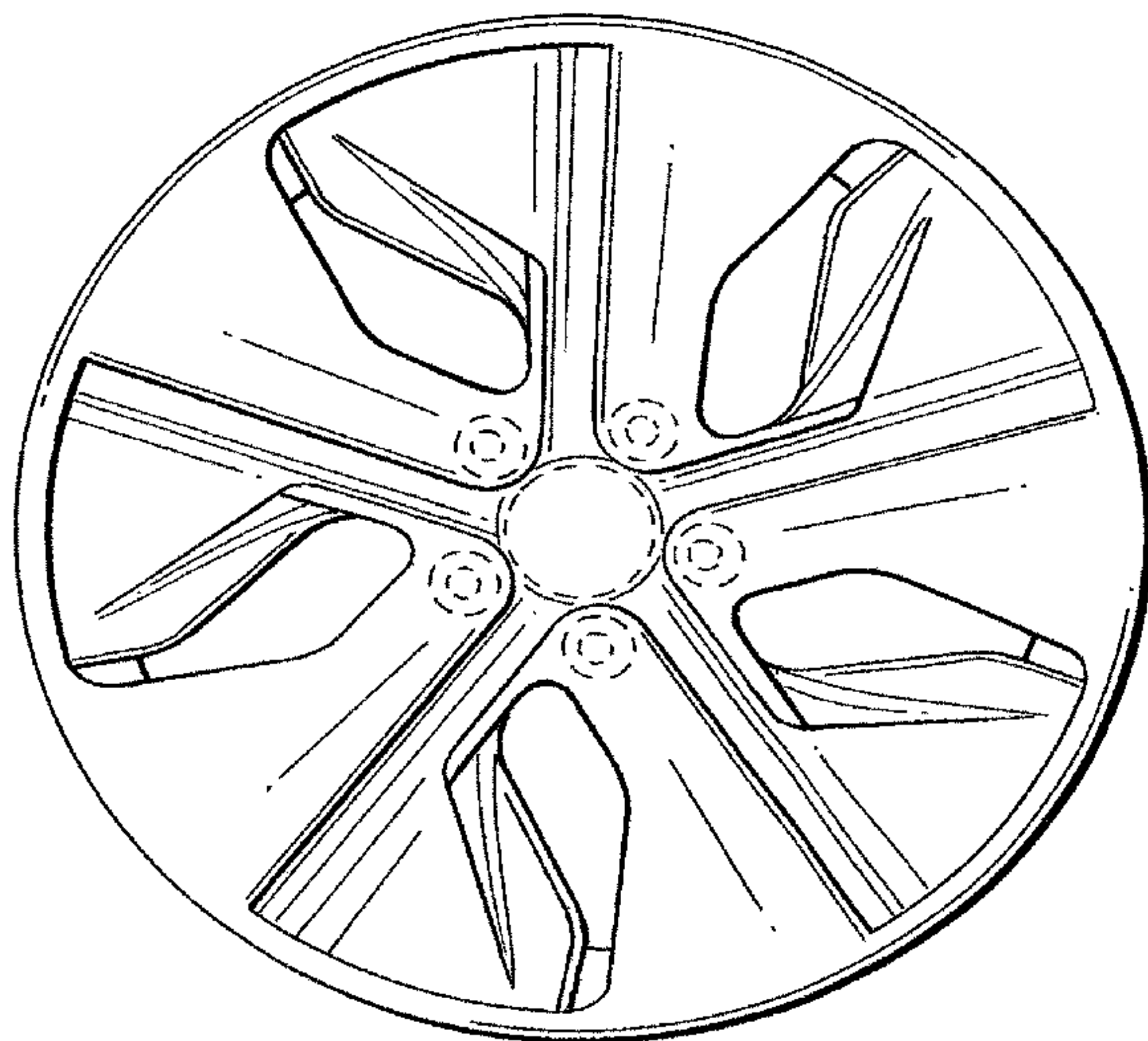
**DESCRIPTION**

FIG. 1 is a front view of a wheel or wheel cover according to my design; and,

FIG. 2 is a perspective view thereof.

The broken line showing of the rear of the wheel, and the bolt holes and the center opening in the central hub area is included for the purpose of illustrating environment and forms no part of the claimed design.

**1 Claim, 1 Drawing Sheet**



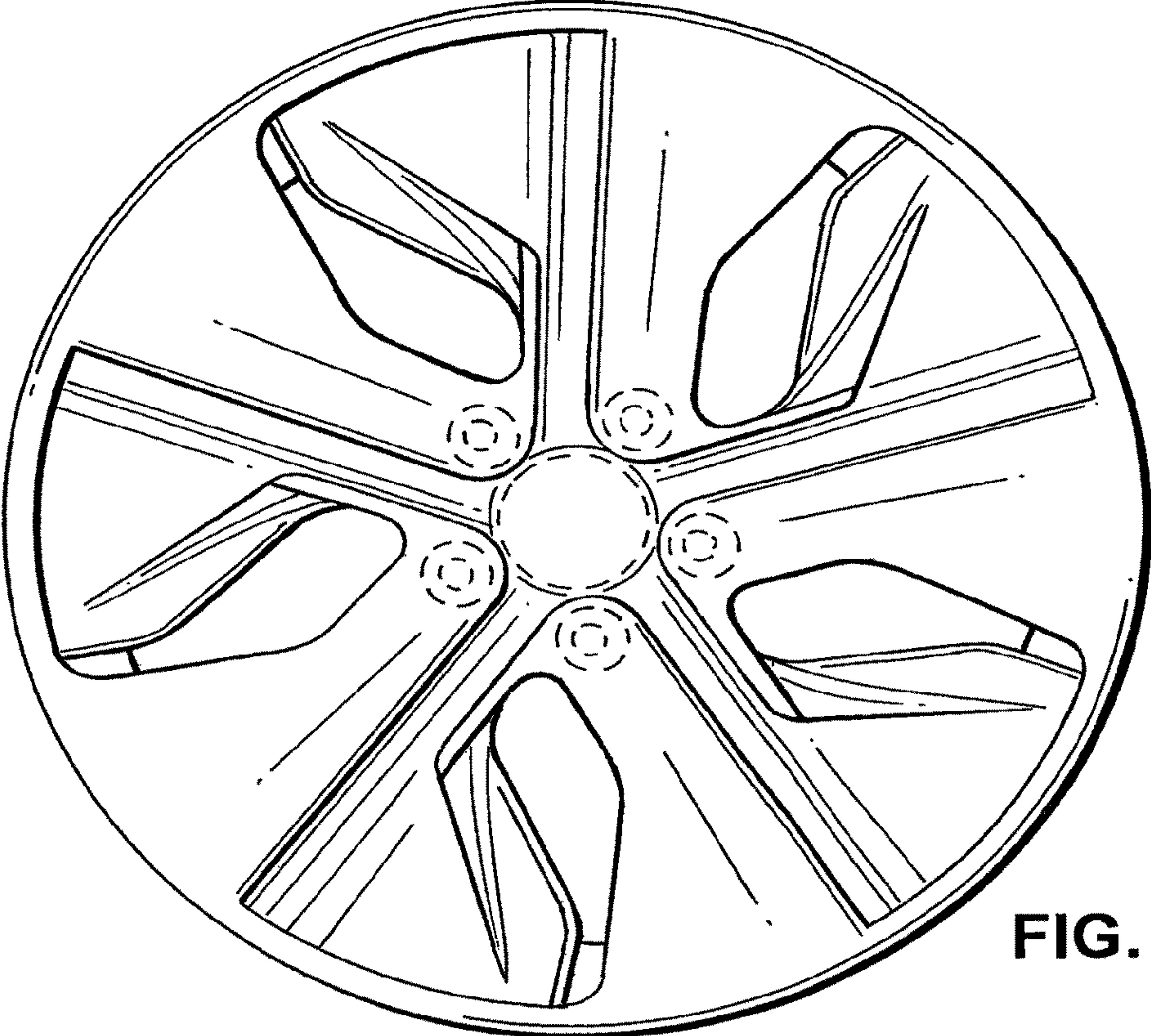


FIG. 1

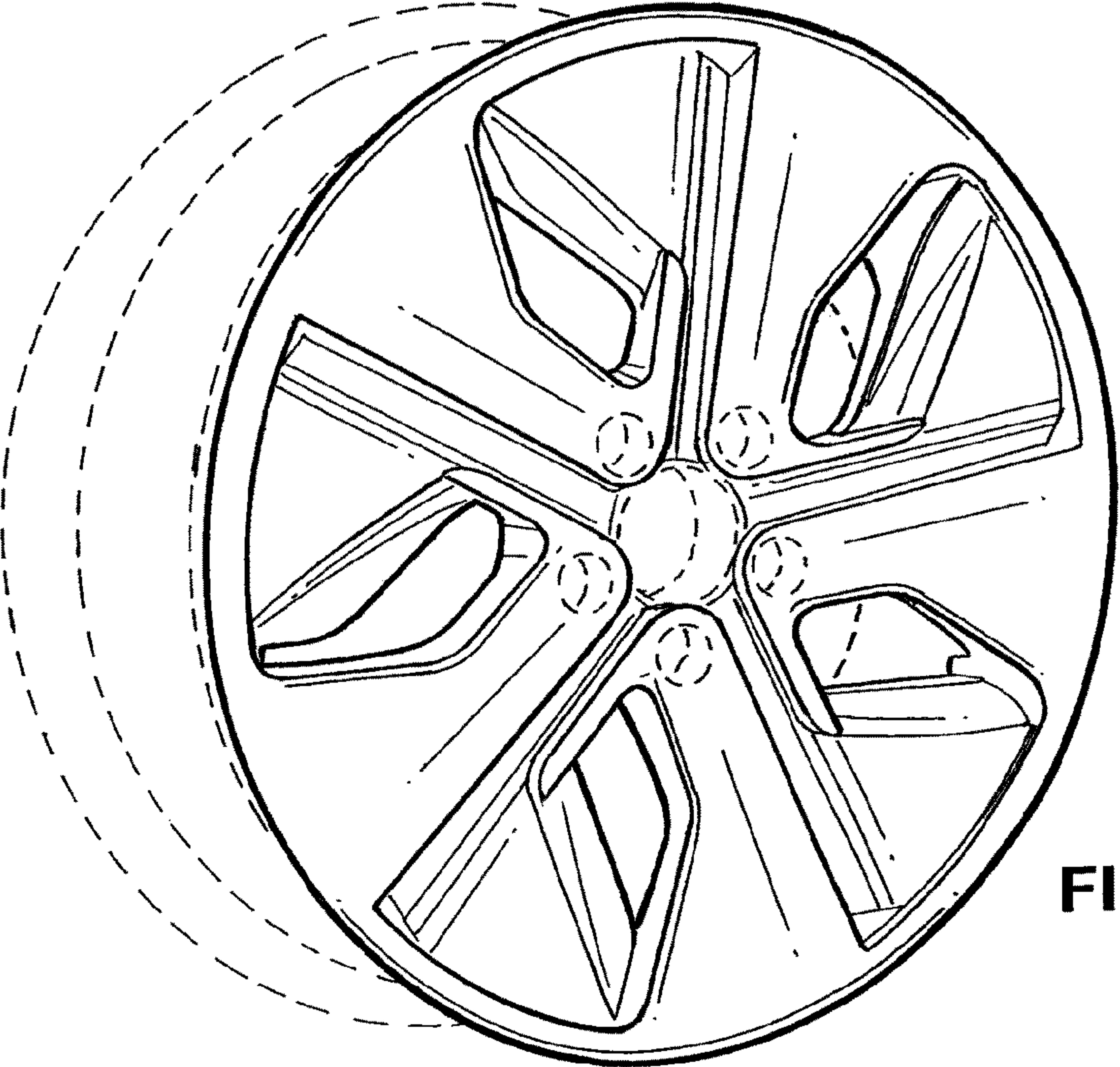


FIG. 2