



US00D664486S

(12) **United States Design Patent**
Xu et al.

(10) **Patent No.:** **US D664,486 S**
(45) **Date of Patent:** **** Jul. 31, 2012**

(54) **VEHICLE REAR BUMPER**

(75) Inventors: **Xiaodi Xu**, Shenzhen (CN); **Yongxin Peng**, Shenzhen (CN)

(73) Assignee: **BYD Company Limited** (CN)

(**) Term: **14 Years**

(21) Appl. No.: **29/394,575**

(22) Filed: **Jun. 17, 2011**

(30) **Foreign Application Priority Data**

Dec. 20, 2010 (CN) 2010 3 0694759

(51) **LOC (9) Cl.** **12-16**

(52) **U.S. Cl.** **D12/169**

(58) **Field of Classification Search** D12/169,
D12/196, 171, 216, 163, 86, 90-92; 293/102,
293/113, 115, 117, 120; 296/180.1, 180.2

See application file for complete search history.

(56) **References Cited**

U.S. PATENT DOCUMENTS

D576,528 S * 9/2008 Zheng D12/169
D599,722 S * 9/2009 Kimura D12/169
D606,463 S * 12/2009 Furuhata et al. D12/169
D626,042 S * 10/2010 Yamazaki et al. D12/169

* cited by examiner

Primary Examiner — Melody N Brown

(74) *Attorney, Agent, or Firm* — Squire Sanders (US) LLP

(57) **CLAIM**

The ornamental design for a vehicle rear bumper, substantially as shown and described.

DESCRIPTION

FIG. 1 is a front view of a vehicle rear bumper in accordance with the present design;

FIG. 2 is a rear view of the vehicle rear bumper;

FIG. 3 is a left side view of the vehicle rear bumper;

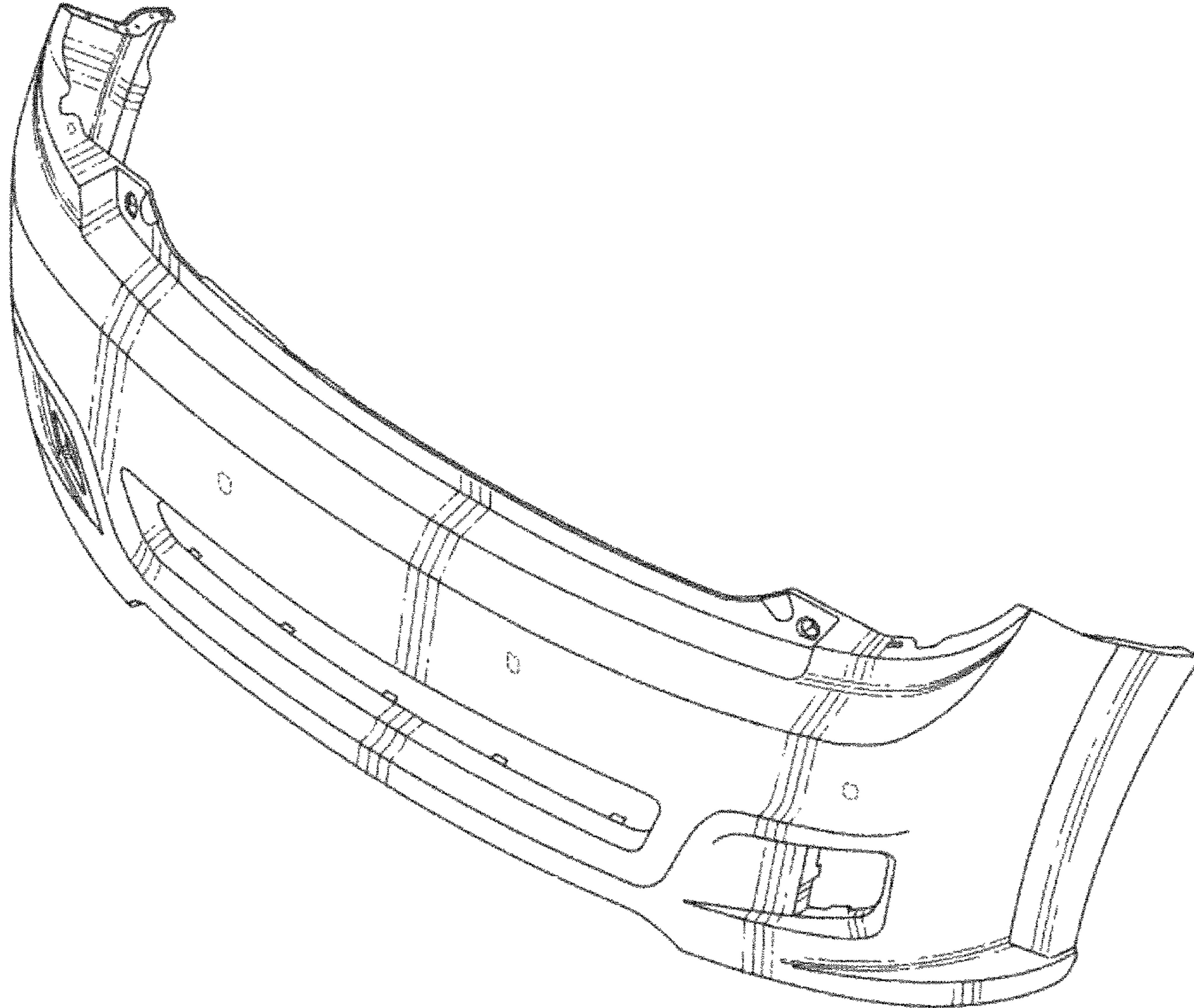
FIG. 4 is a right side view of the vehicle rear bumper;

FIG. 5 is a top view of the vehicle rear bumper;

FIG. 6 is a bottom view of the vehicle rear bumper; and,

FIG. 7 is a perspective view of the vehicle rear bumper.

1 Claim, 6 Drawing Sheets



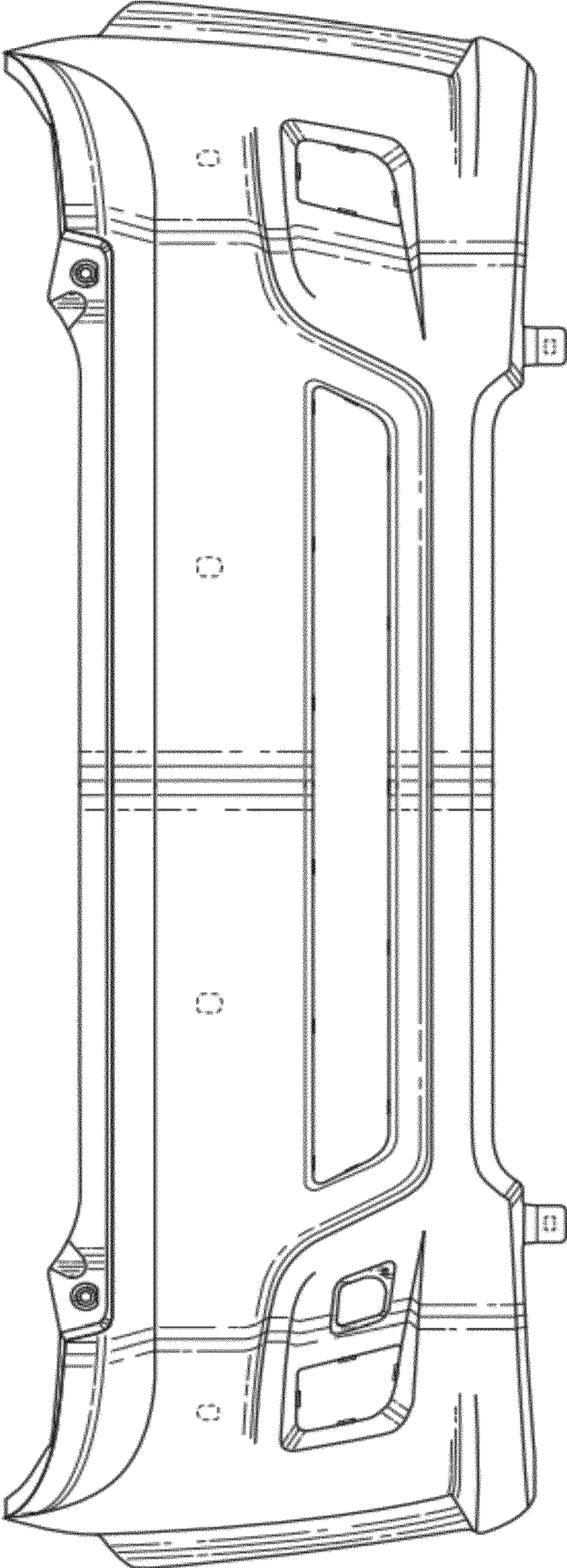


FIG. 1

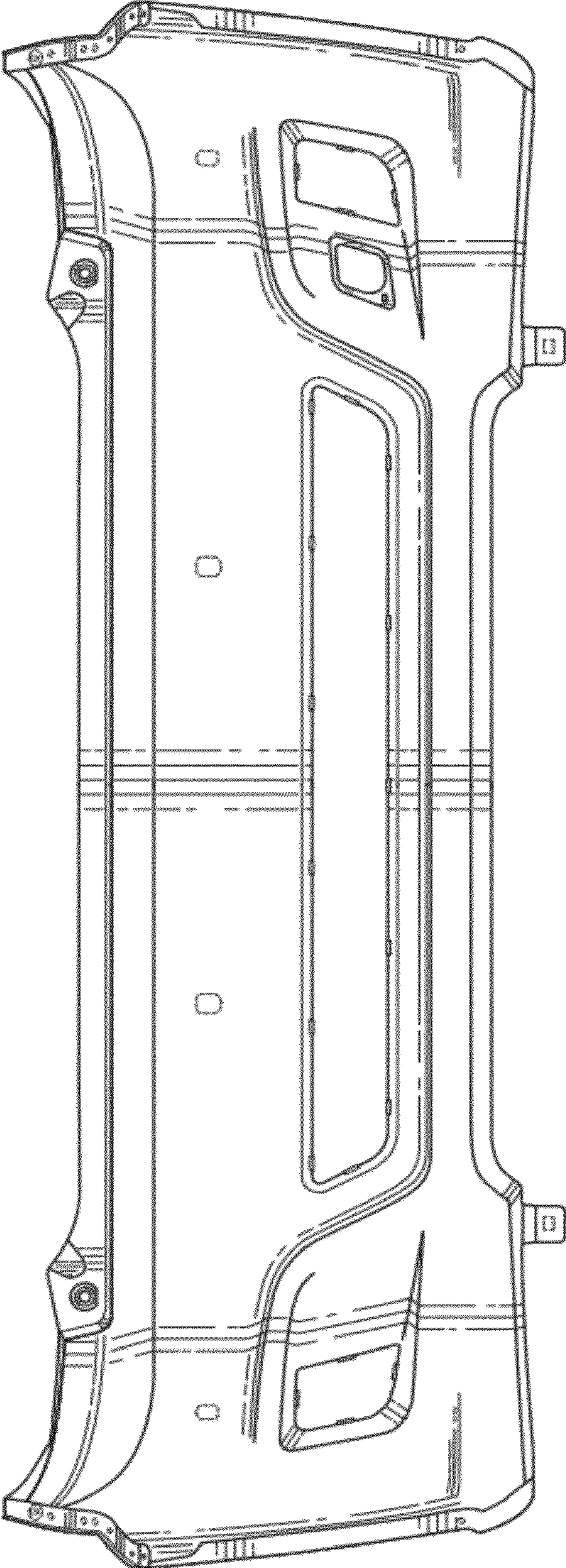


FIG. 2

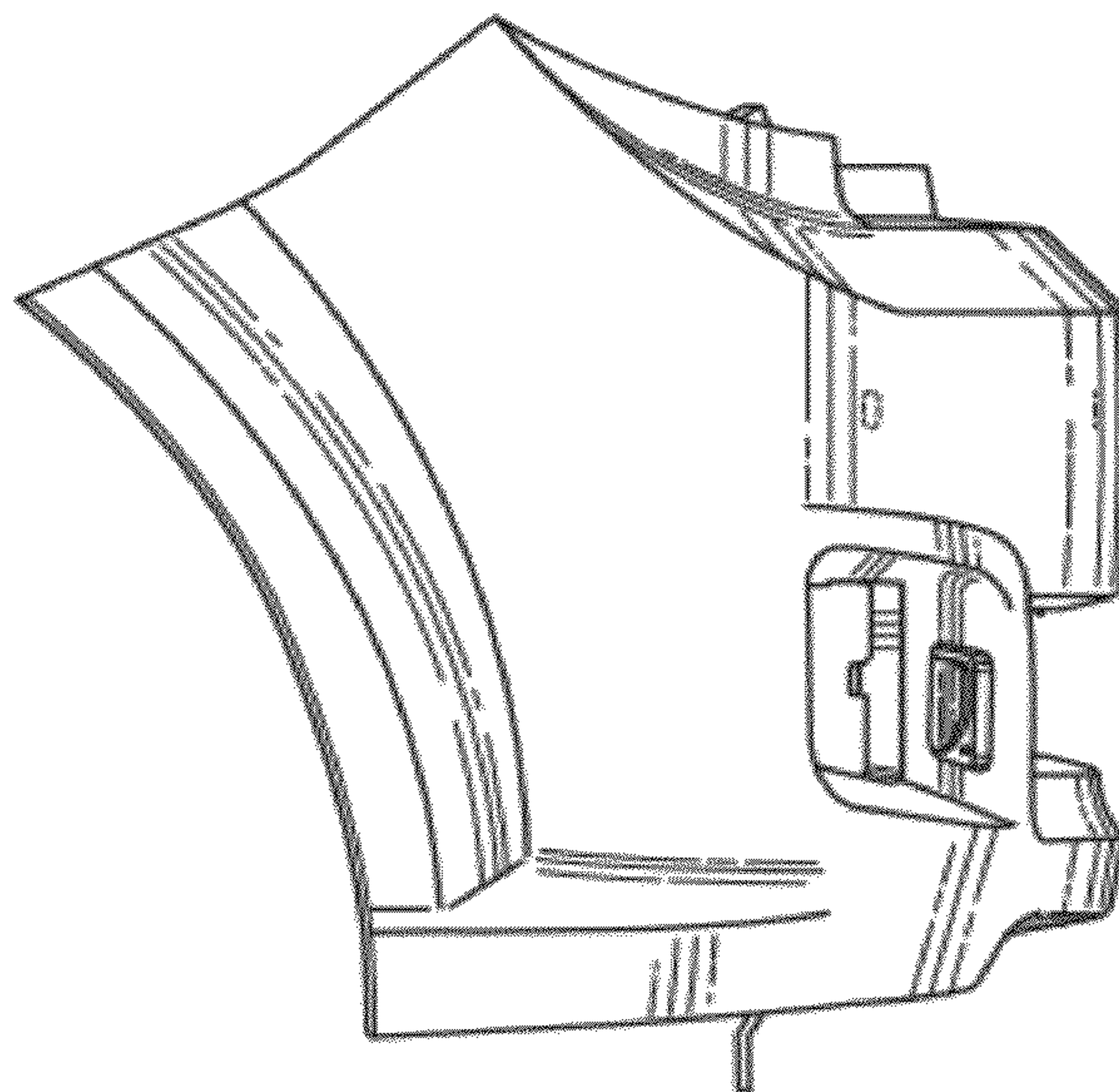


FIG. 3

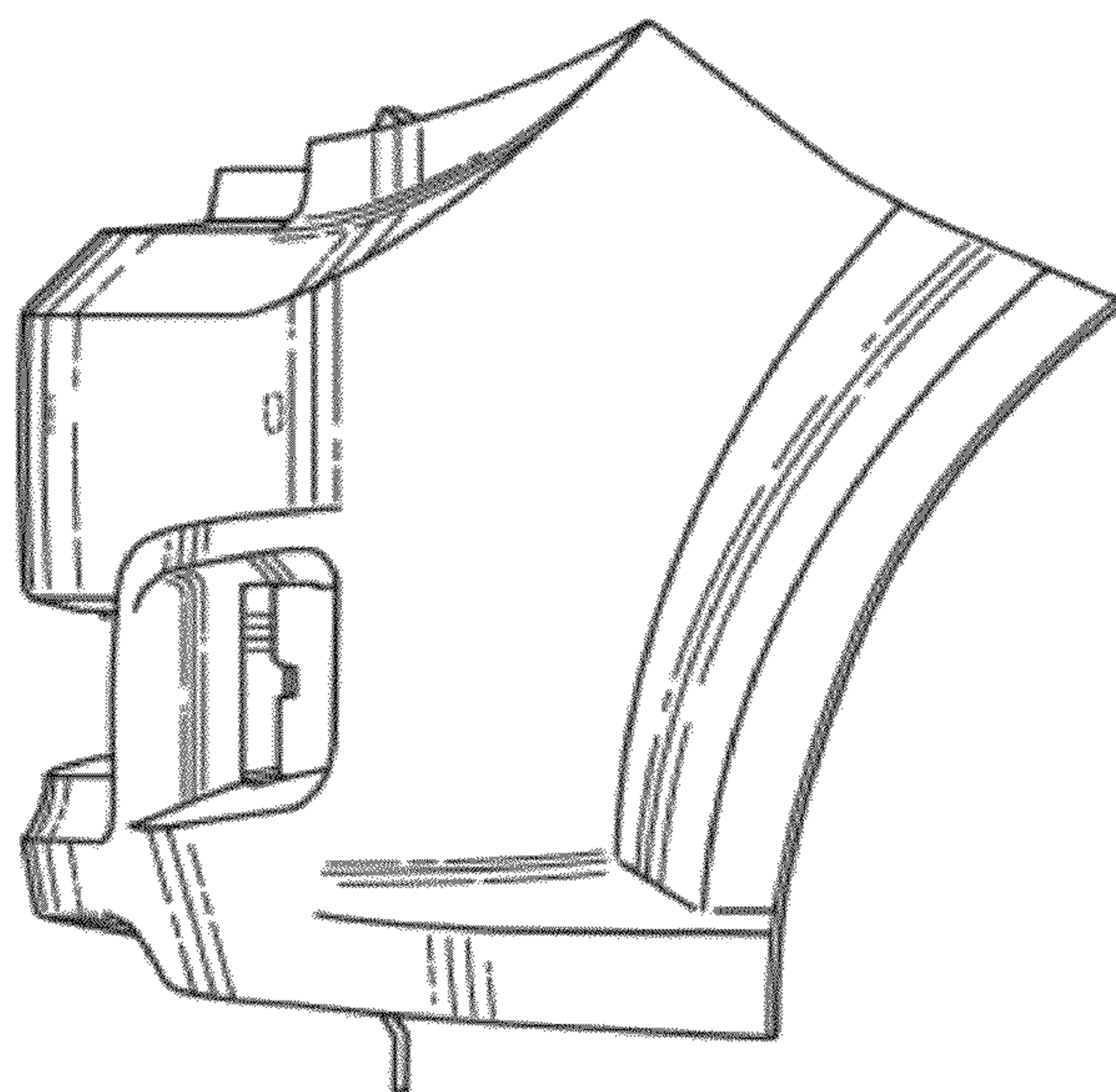


FIG. 4

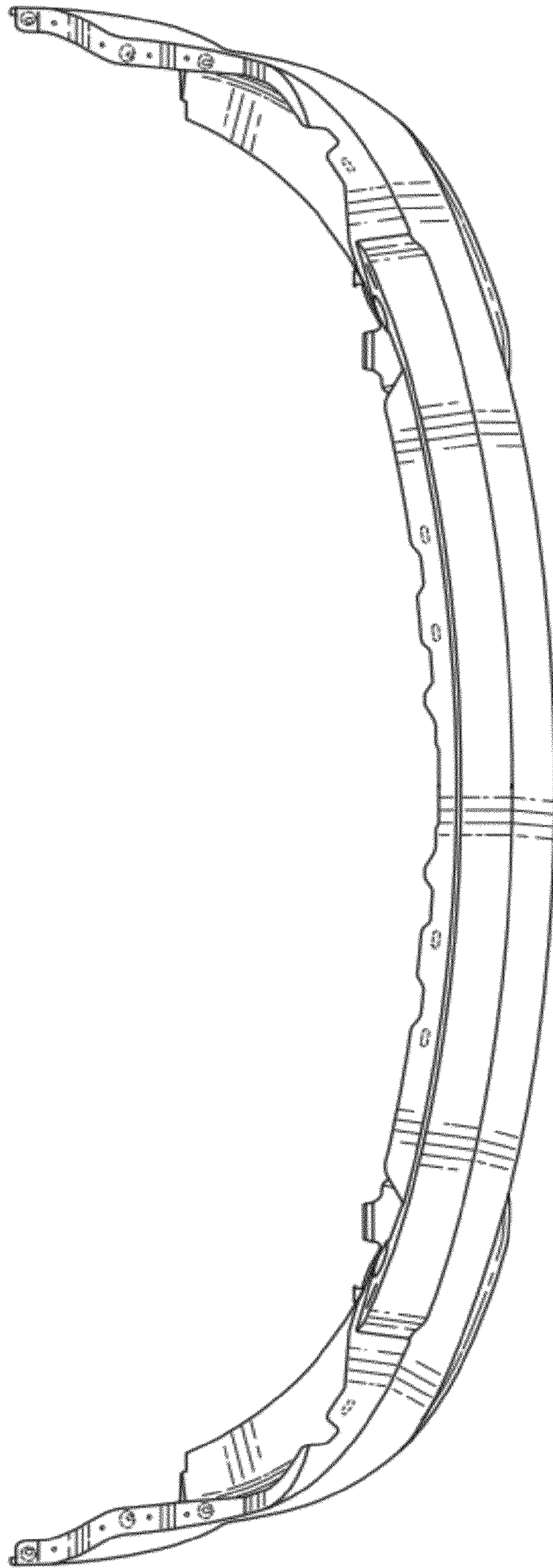


FIG. 5

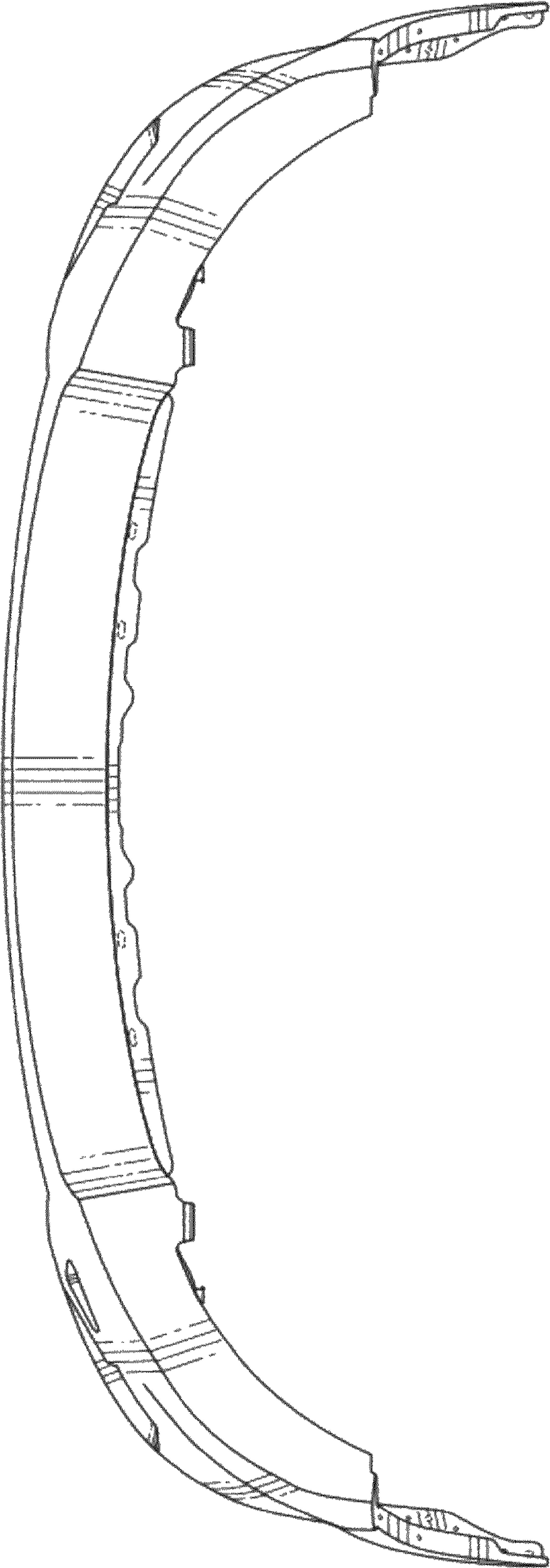


FIG. 6

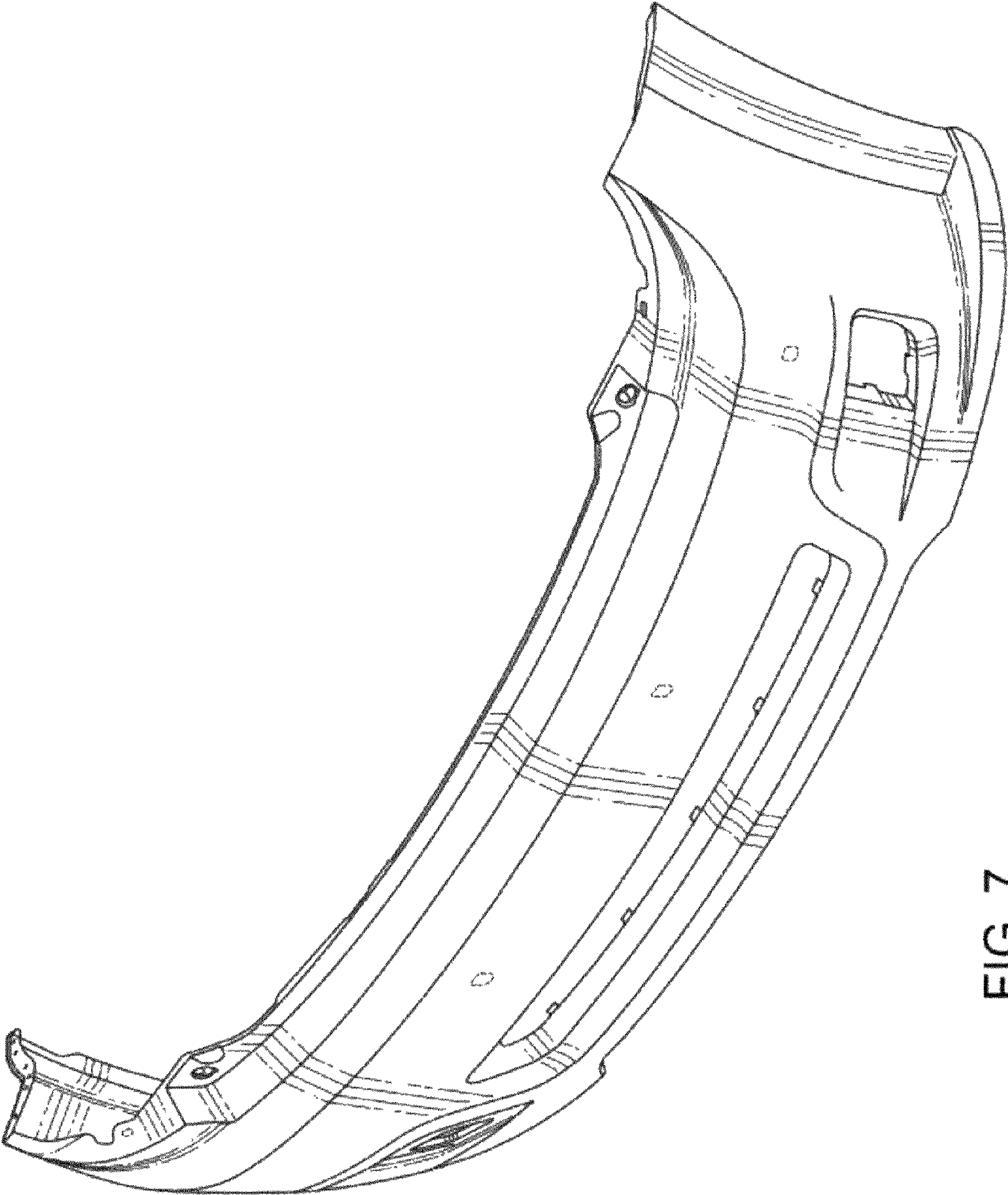


FIG. 7