



US00D664485S

(12) **United States Design Patent**  
**Xu et al.**

(10) **Patent No.:** **US D664,485 S**

(45) **Date of Patent:** **\*\* Jul. 31, 2012**

(54) **VEHICLE FRONT BUMPER**

(75) Inventors: **Xiaodi Xu**, Shenzhen (CN); **Zhijing Yang**, Shenzhen (CN)

(73) Assignee: **BYD Company Limited** (CN)

(\*\*) Term: **14 Years**

(21) Appl. No.: **29/394,570**

(22) Filed: **Jun. 17, 2011**

(30) **Foreign Application Priority Data**

Dec. 20, 2010 (CN) ..... 2010 3 0694736

(51) **LOC (9) Cl.** ..... **12-16**

(52) **U.S. Cl.** ..... **D12/169**

(58) **Field of Classification Search** ..... D12/169,  
D12/196, 171, 216, 163, 86, 90-92; 293/102,  
293/113, 115, 117, 120; 296/180.1, 180.2  
See application file for complete search history.

(56) **References Cited**

**U.S. PATENT DOCUMENTS**

D561,073 S \* 2/2008 Okamoto et al. .... D12/169  
D563,841 S \* 3/2008 Pfeiffer ..... D12/169

D576,527 S \* 9/2008 Nakajima et al. .... D12/169  
D586,707 S \* 2/2009 Futschik et al. .... D12/169  
D589,414 S \* 3/2009 Futschik et al. .... D12/169  
D598,826 S \* 8/2009 Kanai et al. .... D12/169  
D598,827 S \* 8/2009 Kanai et al. .... D12/169  
D598,828 S \* 8/2009 Lee ..... D12/169  
D633,834 S \* 3/2011 Matei et al. .... D12/169  
D636,303 S \* 4/2011 Frei et al. .... D12/169  
D651,540 S \* 1/2012 Okumoto et al. .... D12/169

\* cited by examiner

*Primary Examiner* — Melody N Brown

(74) *Attorney, Agent, or Firm* — Squire Sanders (US) LLP

(57) **CLAIM**

The ornamental design for a vehicle front bumper, substantially as shown and described.

**DESCRIPTION**

FIG. 1 is a front view of a vehicle front bumper in accordance with the present design;

FIG. 2 is a rear view of the vehicle front bumper;

FIG. 3 is a left side view of the vehicle front bumper;

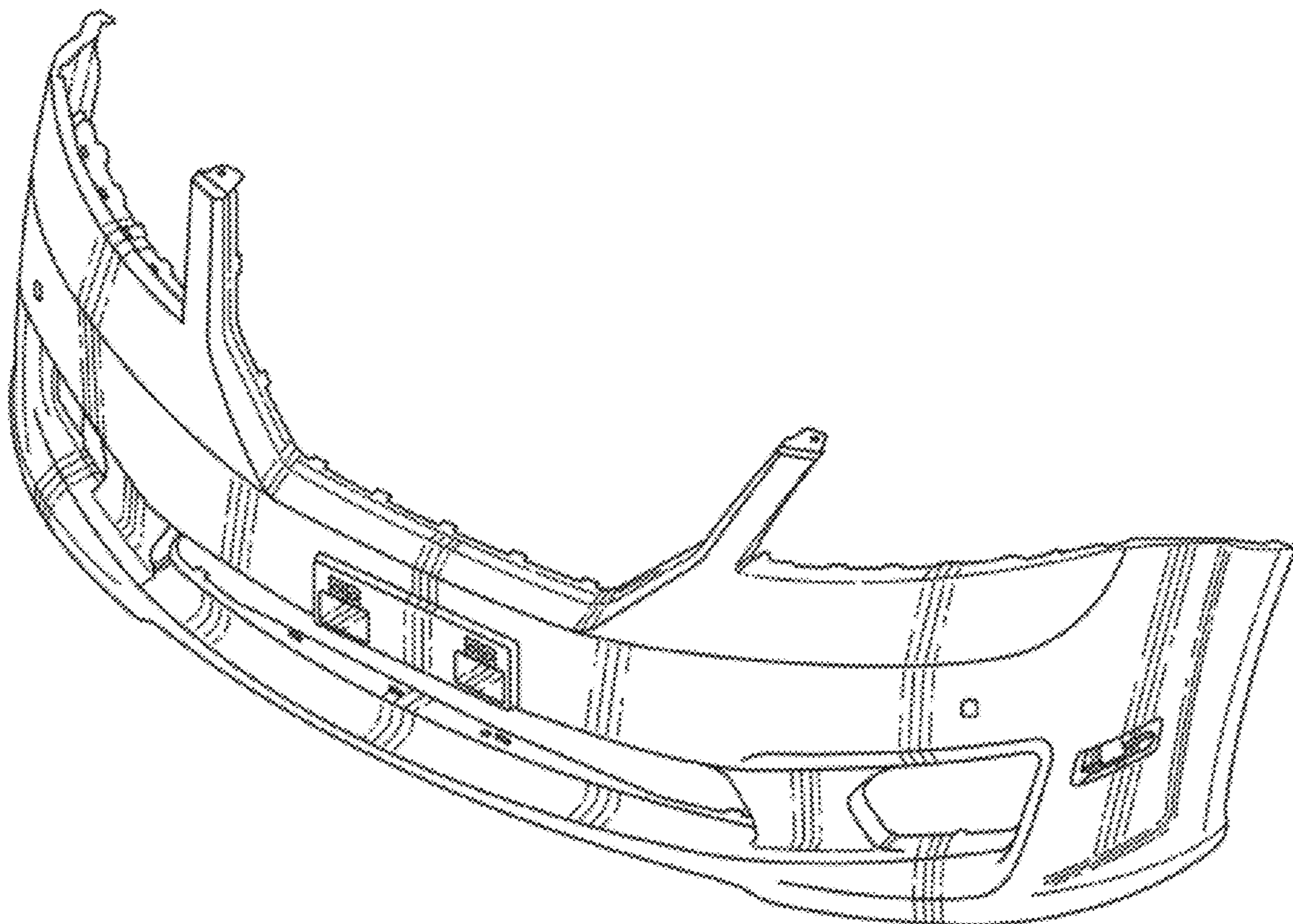
FIG. 4 is a right side view of the vehicle front bumper;

FIG. 5 is a top view of the vehicle front bumper;

FIG. 6 is a bottom view of the vehicle front bumper; and,

FIG. 7 is a perspective view of the vehicle front bumper.

**1 Claim, 6 Drawing Sheets**



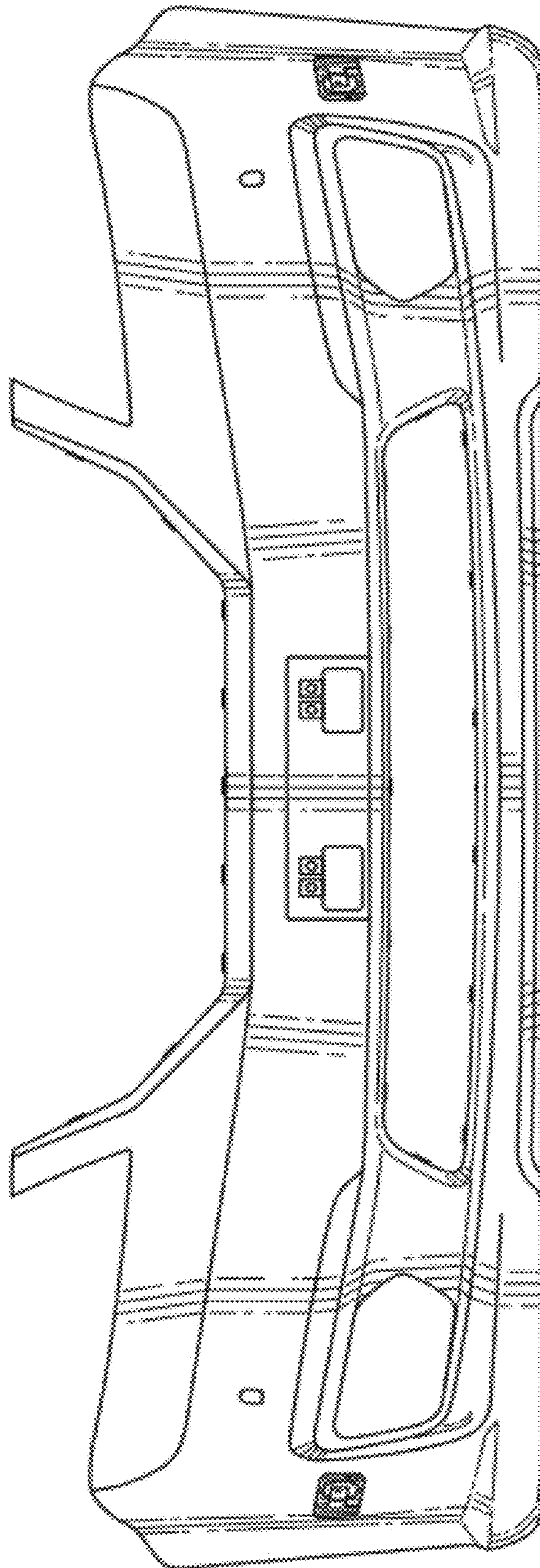


FIG. 1



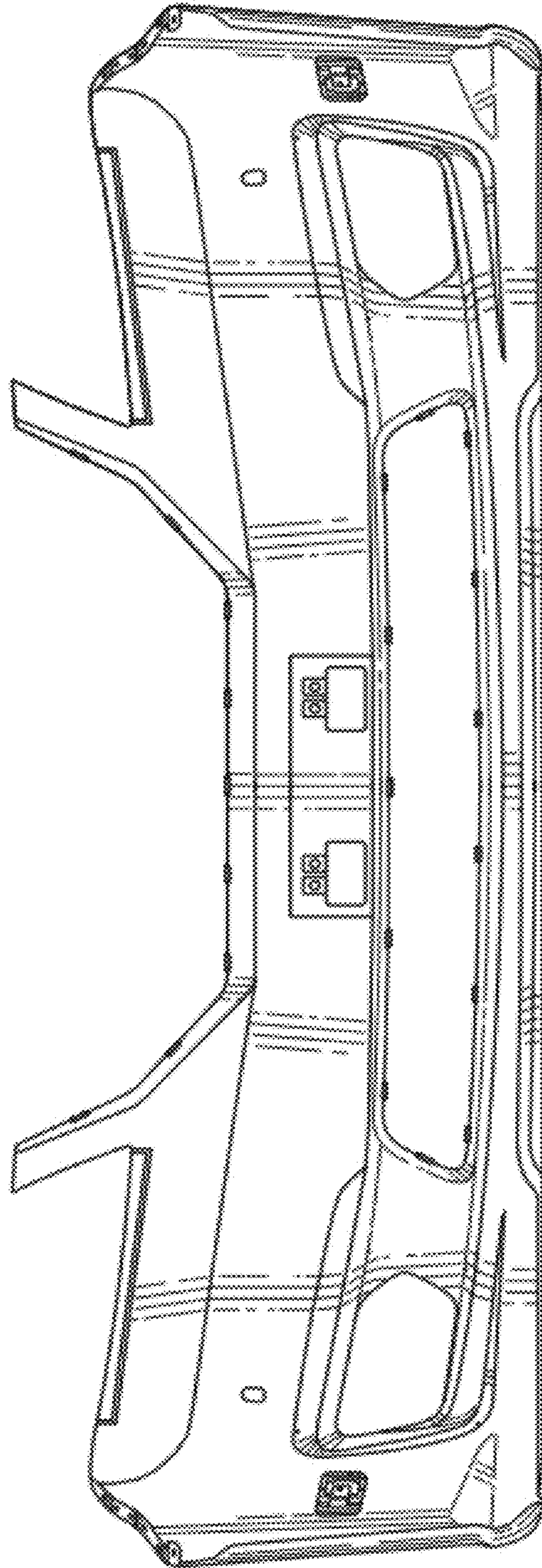


FIG. 2

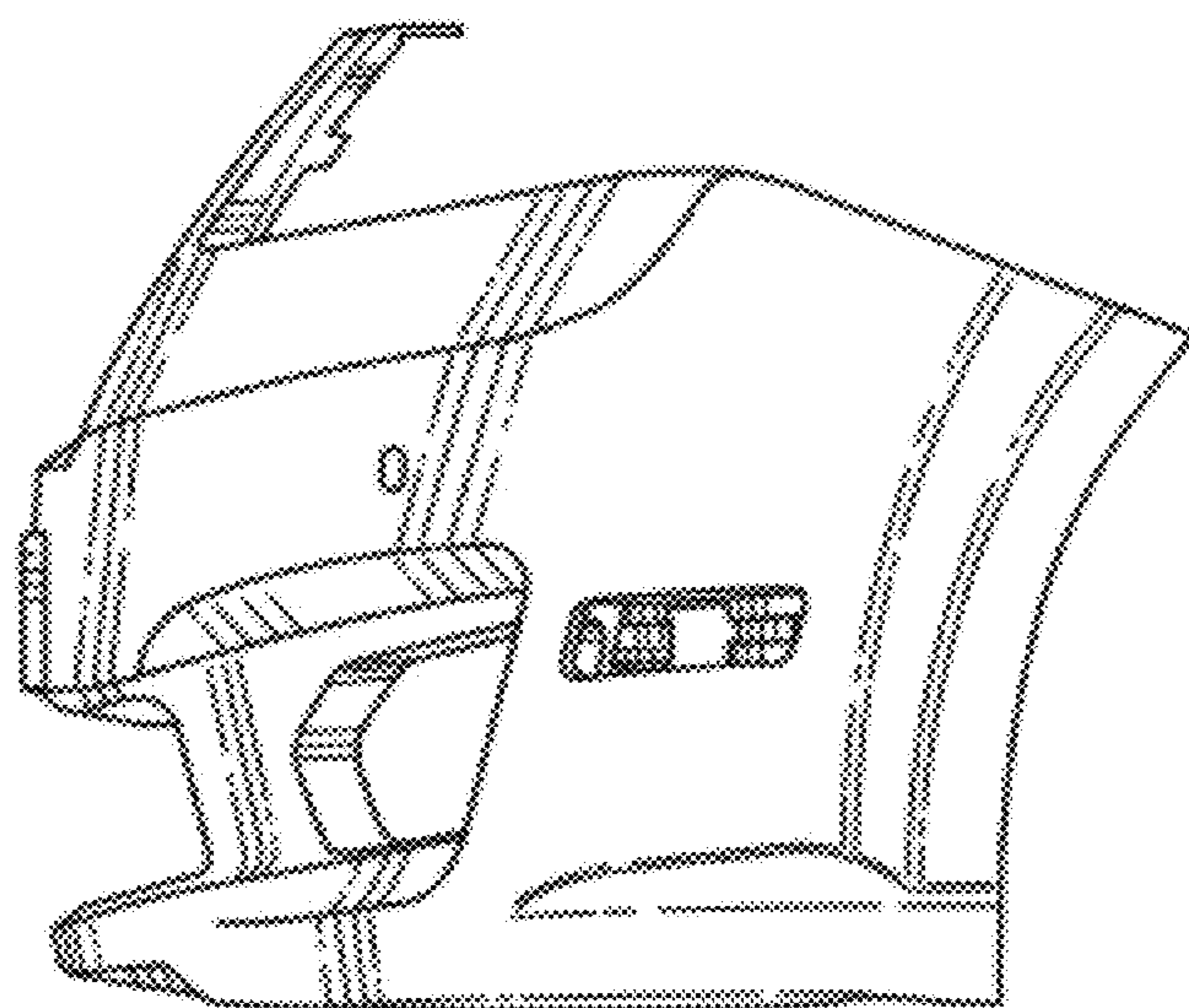


FIG. 3

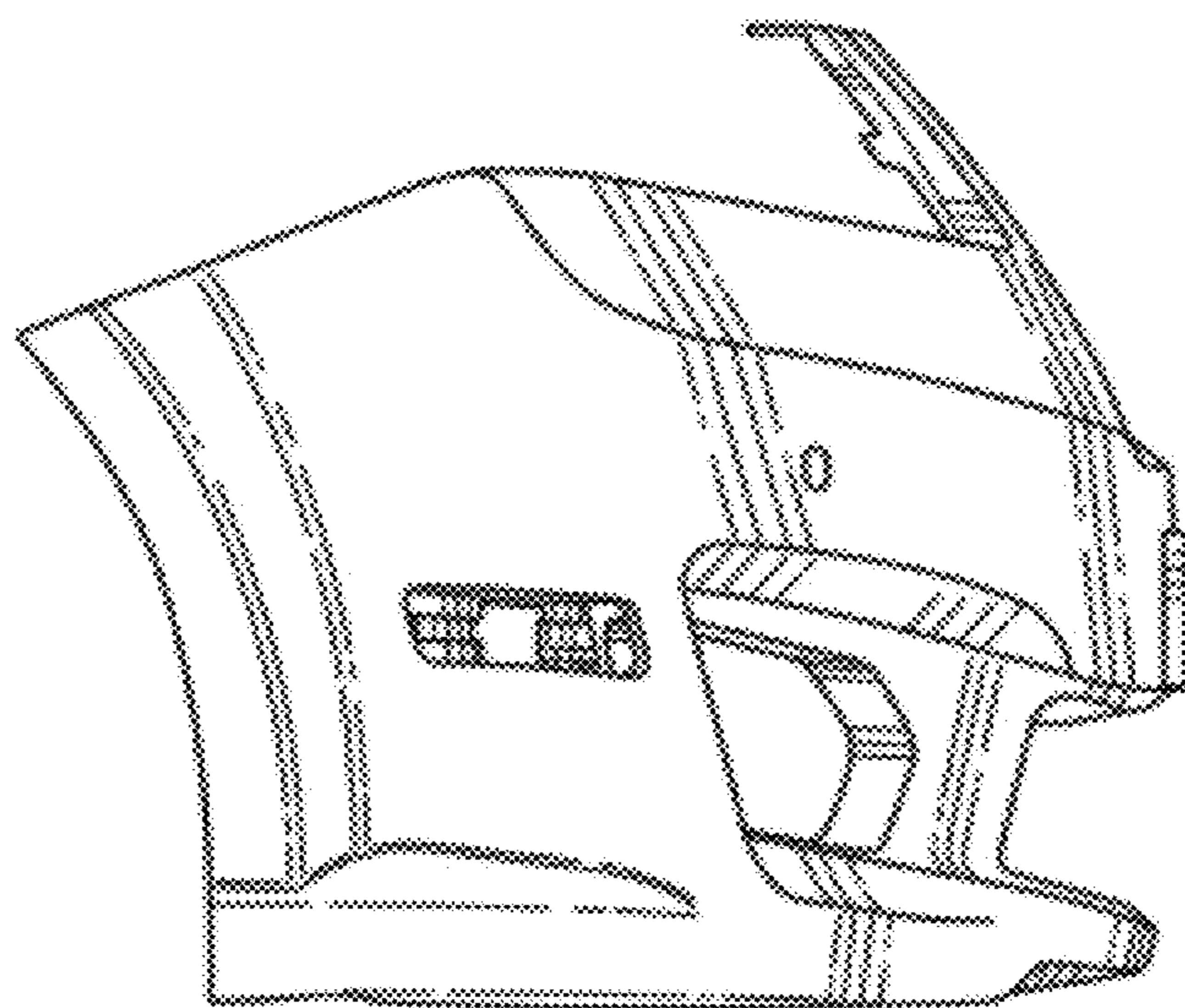


FIG. 4



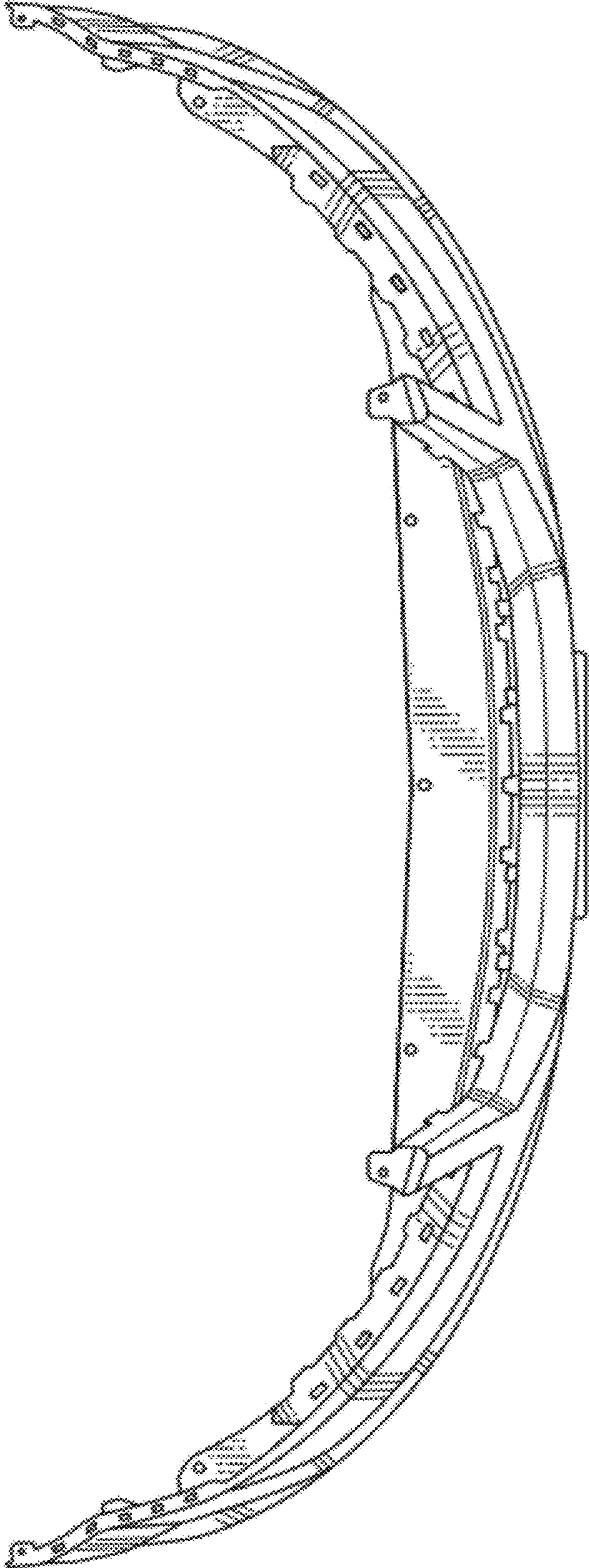


FIG. 5

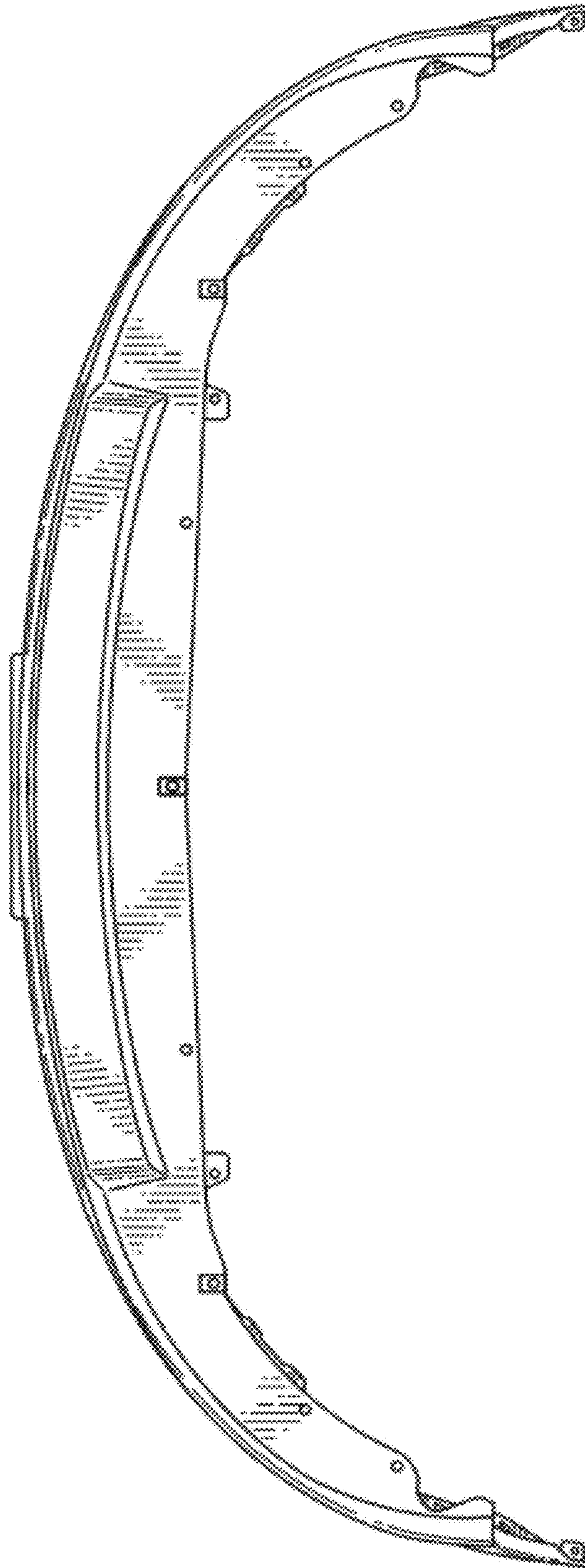


FIG. 6

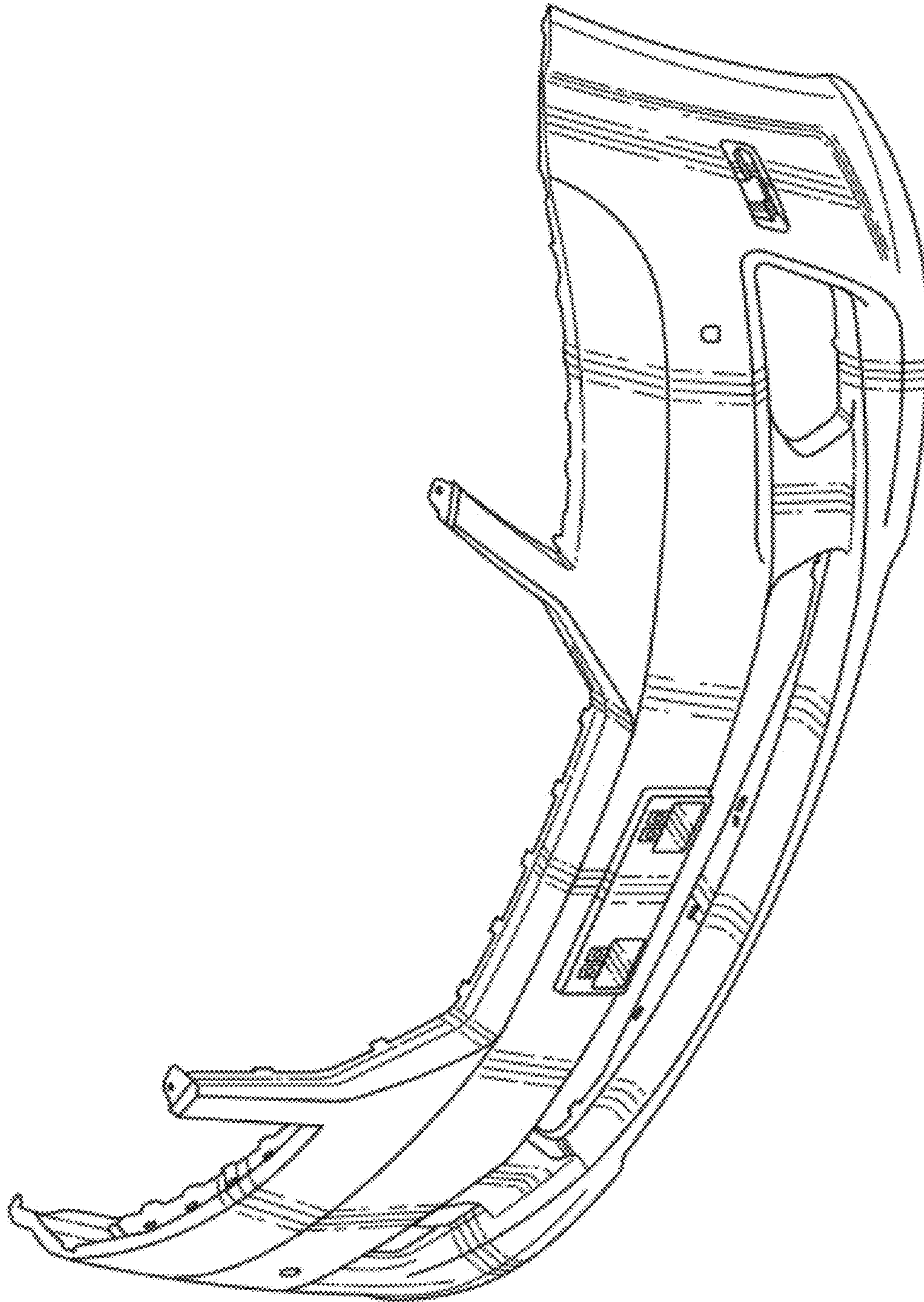


FIG. 7