

US00D664484S

(12) **United States Design Patent**  
**Kawaguchi**

(10) **Patent No.:** **US D664,484 S**  
(45) **Date of Patent:** **\*\* Jul. 31, 2012**

(54) **BUMPER FOR AN AUTOMOBILE**  
(75) Inventor: **Shun Kawaguchi**, Kariya (JP)  
(73) Assignee: **Toyota Jidosha Kabushiki Kaisha** (JP)  
(\*\*) Term: **14 Years**  
(21) Appl. No.: **29/394,415**  
(22) Filed: **Jun. 16, 2011**

(30) **Foreign Application Priority Data**  
Dec. 20, 2010 (JP) ..... 2010-030378  
(51) **LOC (9) Cl.** ..... **12-16**  
(52) **U.S. Cl.** ..... **D12/169**  
(58) **Field of Classification Search** ..... D12/169,  
D12/196, 171, 216, 163, 86, 90-92; 293/102,  
293/113, 115, 117, 120; 296/180.1, 180.2  
See application file for complete search history.

(56) **References Cited**  
**U.S. PATENT DOCUMENTS**  
D537,392 S \* 2/2007 Pfeiffer ..... D12/169  
D539,197 S \* 3/2007 Fujimaki ..... D12/169  
D563,842 S \* 3/2008 Pfeiffer ..... D12/169  
D566,017 S \* 4/2008 Pfeiffer ..... D12/169  
D578,449 S \* 10/2008 Jodo ..... D12/169  
D586,707 S \* 2/2009 Futschik et al. .... D12/169  
D610,498 S \* 2/2010 Truebsbach ..... D12/169

D610,502 S \* 2/2010 Bucher et al. .... D12/169  
D623,993 S \* 9/2010 Miyazawa et al. .... D12/169  
D623,994 S \* 9/2010 Miyazawa ..... D12/169  
D640,617 S \* 6/2011 Furst ..... D12/169

**OTHER PUBLICATIONS**

Fiat, Fiat-500 Abarth, NetCarShow.com, [http://www.netcarshow.com/fiat/2009-500\\_abarth/](http://www.netcarshow.com/fiat/2009-500_abarth/), Oct. 11, 2010.  
Subaru, Subaru-Impreza\_WRX\_STi, NetCarShow.com, [http://www.netcarshow.com/subaru/2008-impreza\\_wrx\\_sti/](http://www.netcarshow.com/subaru/2008-impreza_wrx_sti/), available at least as early as Jun. 16, 2011.

\* cited by examiner

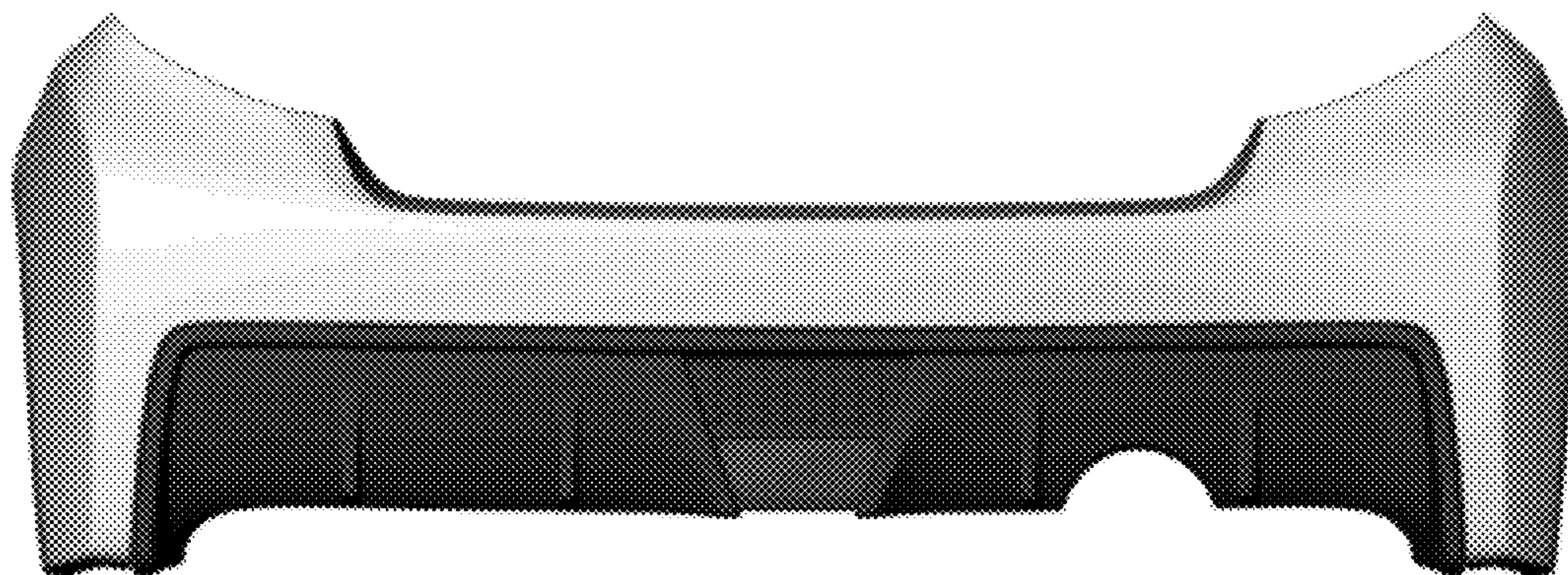
*Primary Examiner* — Melody N Brown  
(74) *Attorney, Agent, or Firm* — SAIDMAN DesignLaw Group

(57) **CLAIM**  
The ornamental design for a bumper for an automobile, as shown and described.

**DESCRIPTION**

FIG. 1 is a perspective view of a bumper for an automobile showing my new design;  
FIG. 2 is a front view thereof;  
FIG. 3 is a top view thereof;  
FIG. 4 is a bottom view thereof;  
FIG. 5 is a left side view thereof; and,  
FIG. 6 is a right side view thereof.

**1 Claim, 2 Drawing Sheets**



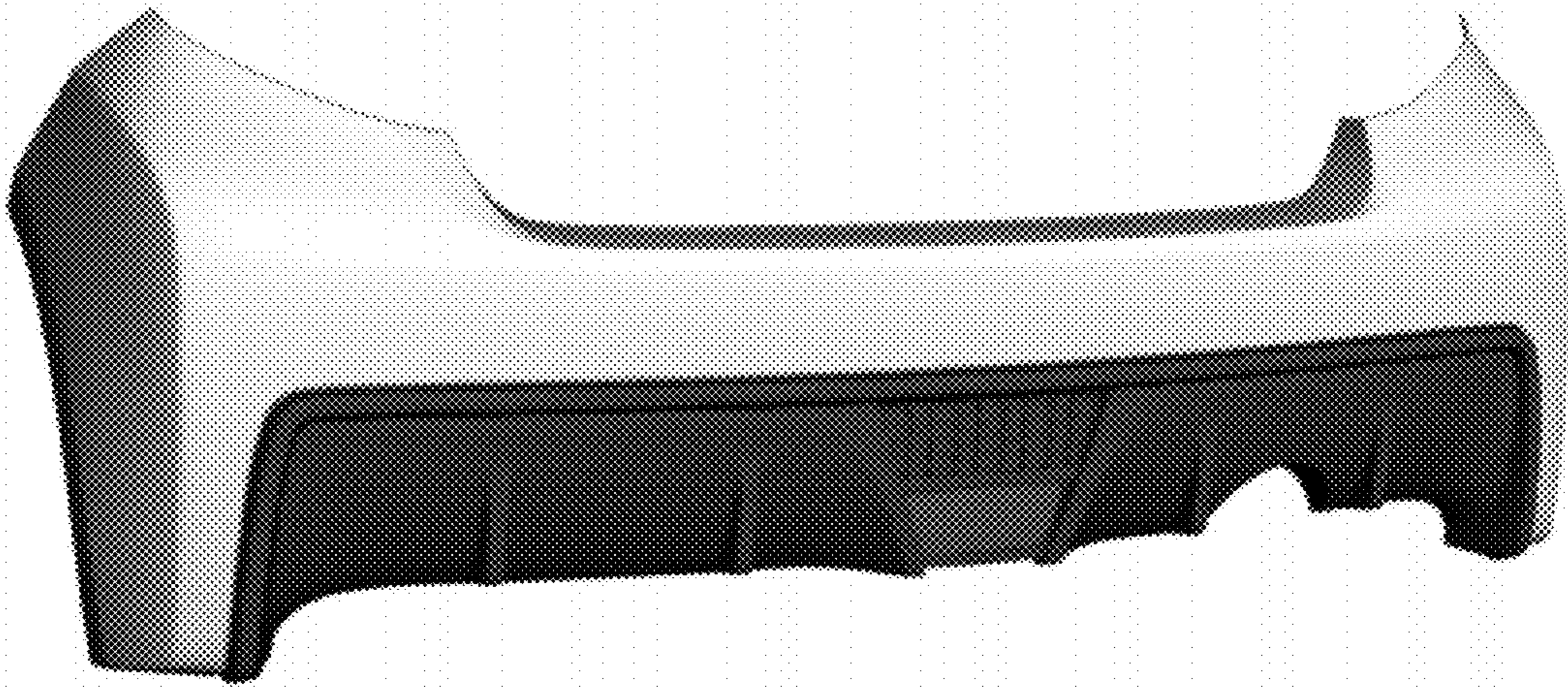


FIG. 1

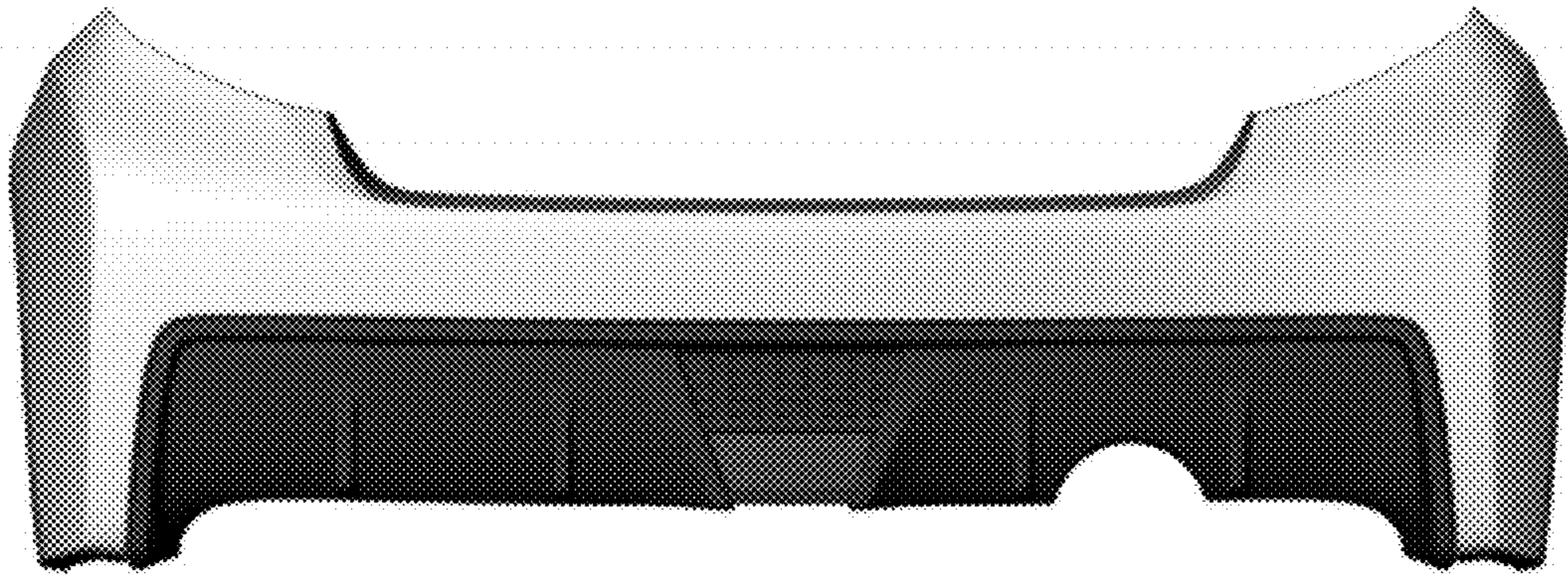


FIG. 2

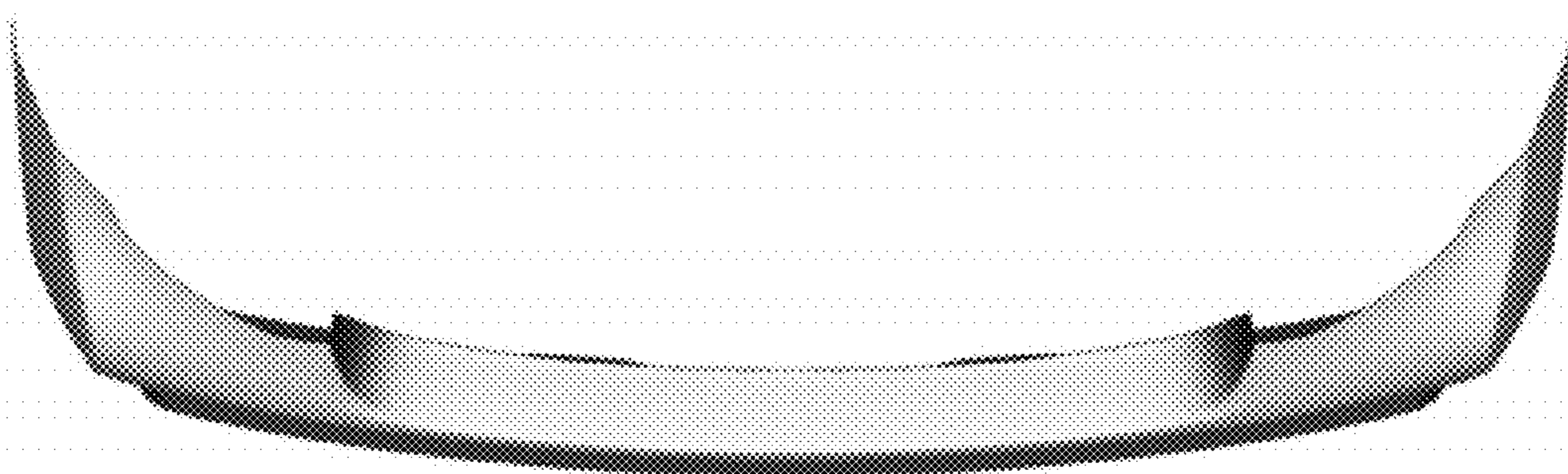


FIG. 3

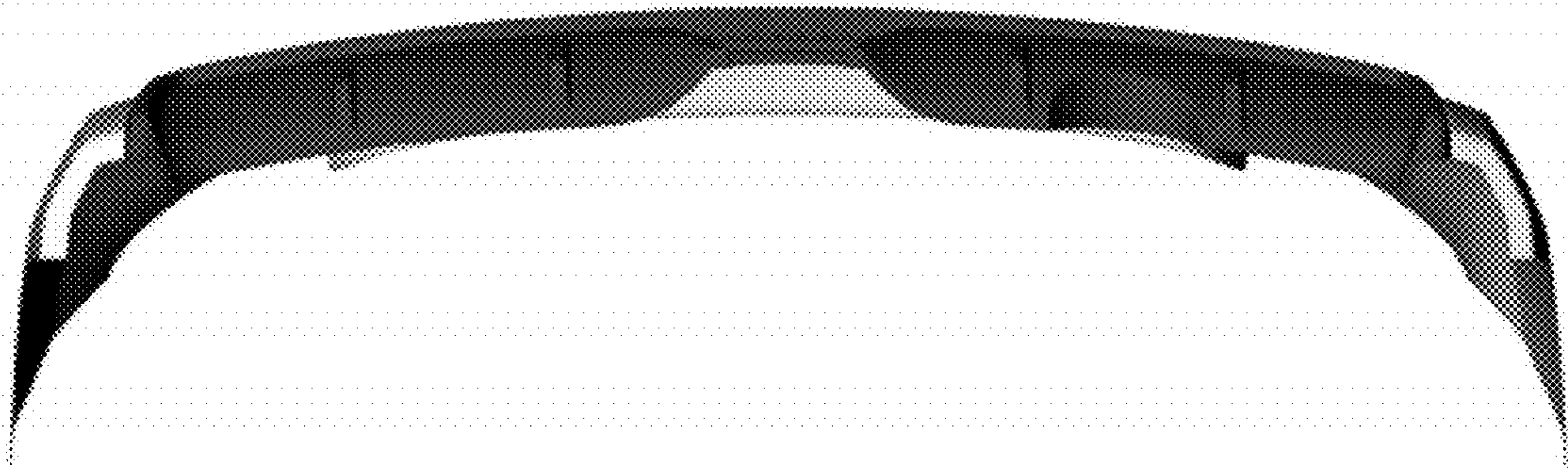


FIG. 4

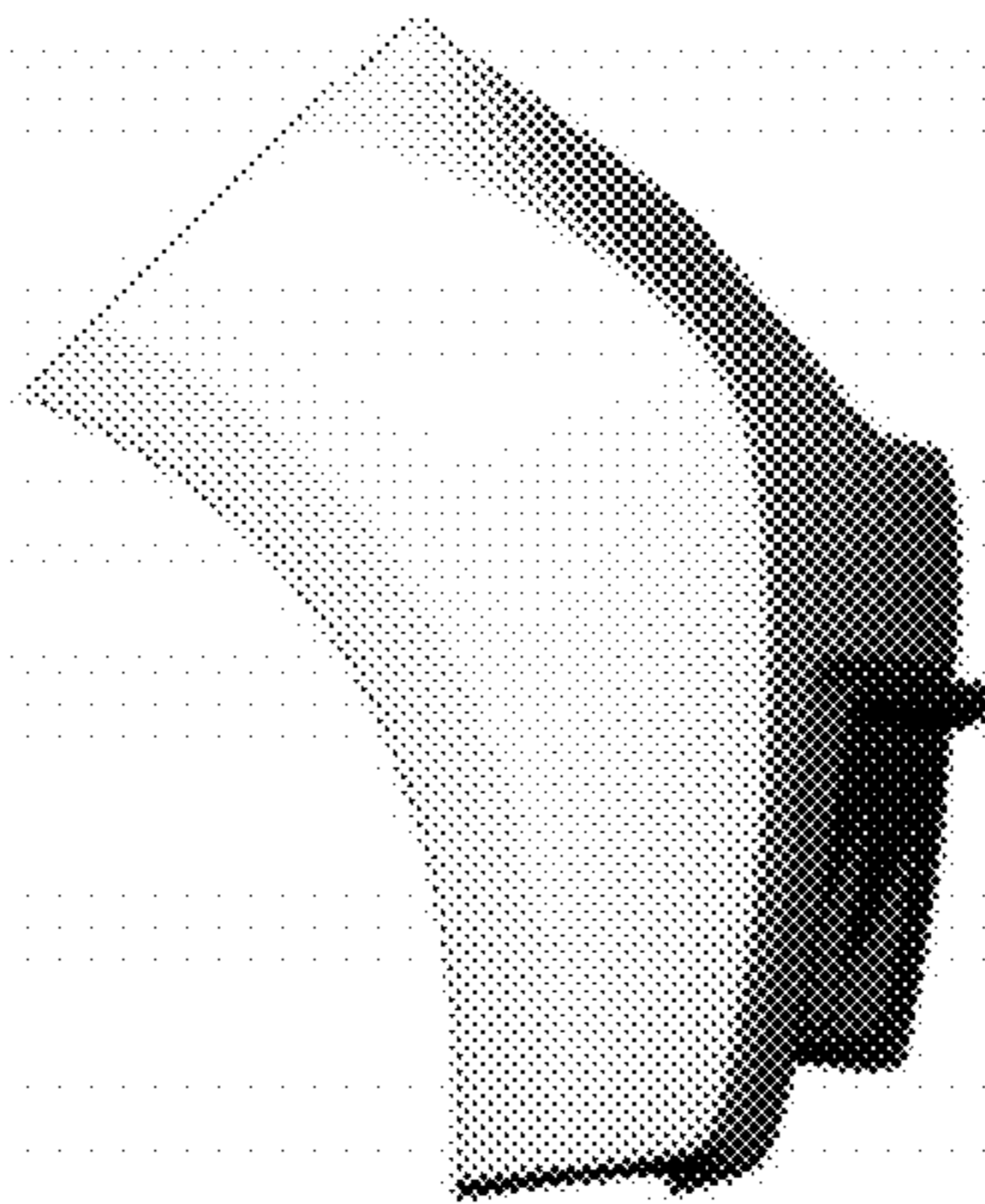


FIG. 5

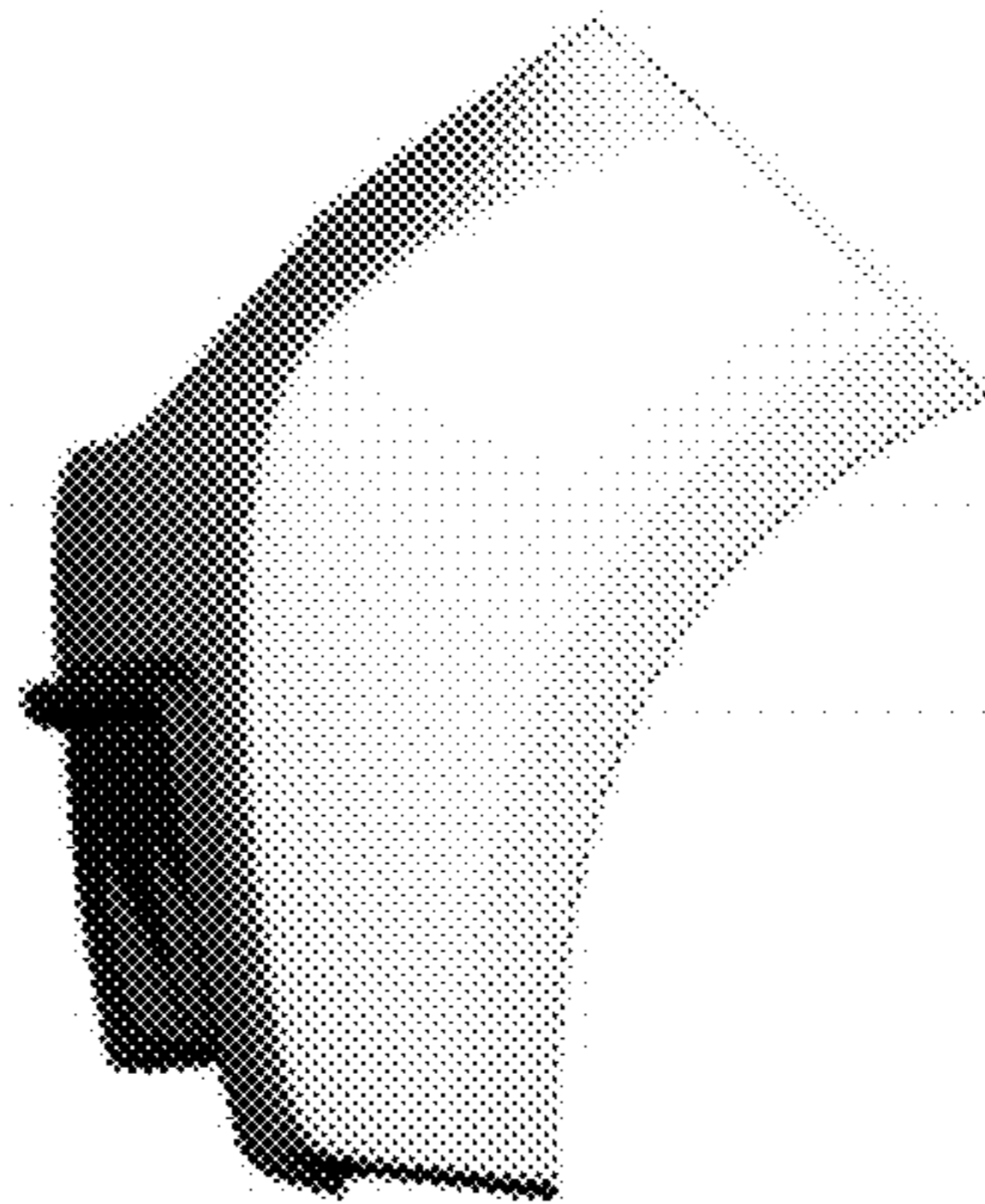


FIG. 6