



US00D664478S

(12) **United States Design Patent**
Futschik et al.

(10) **Patent No.:** **US D664,478 S**

(45) **Date of Patent:** **** Jul. 31, 2012**

(54) **RADIATOR GRILL FOR A VEHICLE**

(75) Inventors: **Hans-Dieter Futschik**, Gechingen (DE);
Gorden Wagener, Stuttgart (DE); **Fan Zhang**, Boeblingen (DE)

(73) Assignee: **Daimler AG**, Stuttgart (DE)

(**) Term: **14 Years**

(21) Appl. No.: **29/347,485**

(22) Filed: **Feb. 4, 2010**

(30) **Foreign Application Priority Data**

Aug. 5, 2009 (DE) 40 2009 003 724

(51) **LOC (9) Cl.** **12-16**

(52) **U.S. Cl.** **D12/163**

(58) **Field of Classification Search** D12/163,
D12/171, 196, 216, 90-92, 86, 164; 180/68.1,
180/68.6; 296/193.11

See application file for complete search history.

(56) **References Cited**

U.S. PATENT DOCUMENTS

D519,426 S * 4/2006 Ikeda D12/163
D524,703 S * 7/2006 Konaka D12/163
D526,253 S * 8/2006 Oda D12/163
D537,018 S * 2/2007 Fujimaki D12/163
D563,289 S * 3/2008 Pfeiffer D12/163

D587,637 S 3/2009 Pfeiffer
D588,499 S 3/2009 Pfeiffer
D589,413 S 3/2009 Pfeiffer
D598,818 S * 8/2009 Bauer et al. D12/163
D629,723 S * 12/2010 Bauer et al. D12/163
D633,012 S * 2/2011 Bauer et al. D12/163

* cited by examiner

Primary Examiner — Melody N Brown

(74) *Attorney, Agent, or Firm* — Crowell & Moring LLP

(57) **CLAIM**

The ornamental design for a radiator grill for a vehicle, as shown and described.

DESCRIPTION

This application contains subject matter related to the following co-pending applications:

Application Ser. No. 29/347,486, filed herewith and entitled “Vehicle, Toy, and/or Other Replicas”; and

Application Ser. No. 29/347,488, filed herewith and entitled “Front Portion of a Vehicle, Toy, and/or Other Replicas”.

FIG. 1 is a left perspective view of a radiator grill for a vehicle according to our design, the right perspective view being mirror symmetrical;

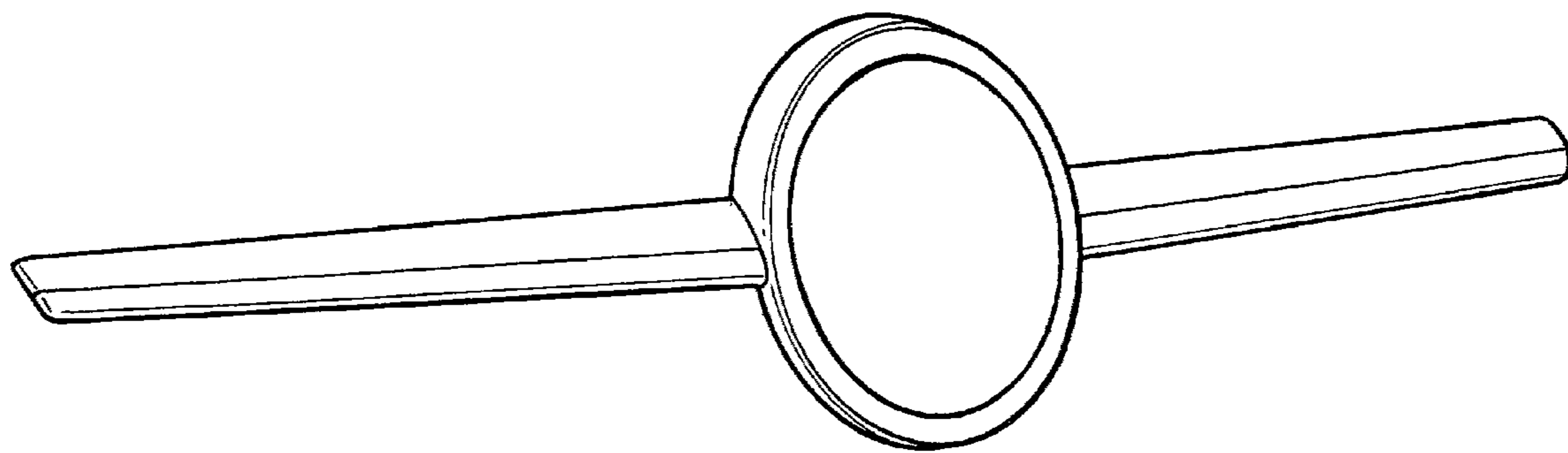
FIG. 2 is a front view thereof;

FIG. 3 is a top view thereof;

FIG. 4 is a bottom view thereof; and,

FIG. 5 is a right side view thereof; the left side view being mirror symmetrical.

1 Claim, 2 Drawing Sheets



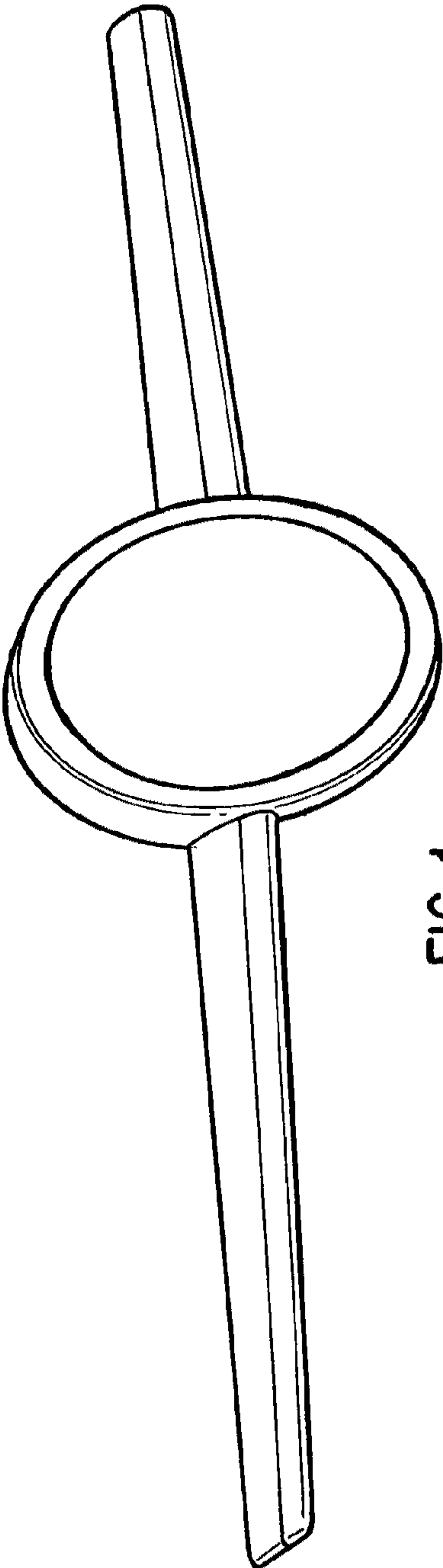


FIG. 1

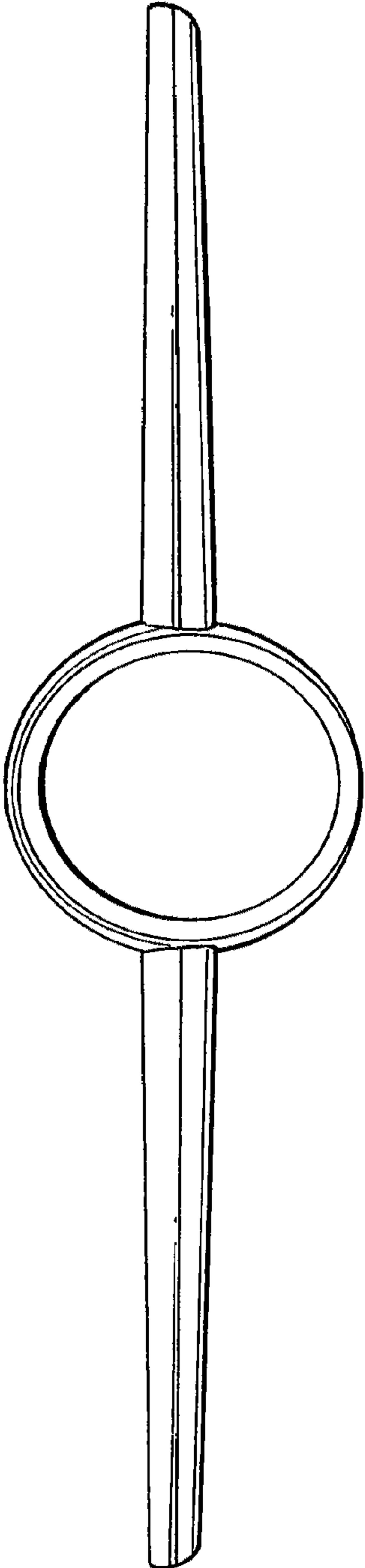


FIG. 2

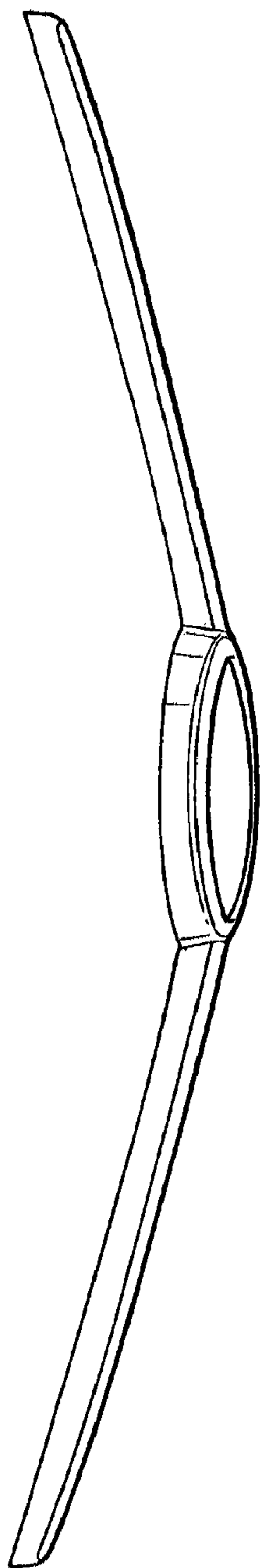


FIG. 3

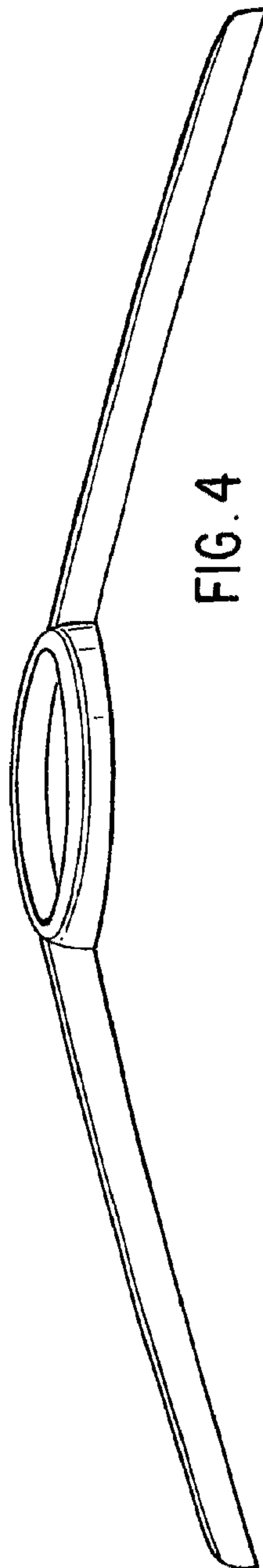


FIG. 4

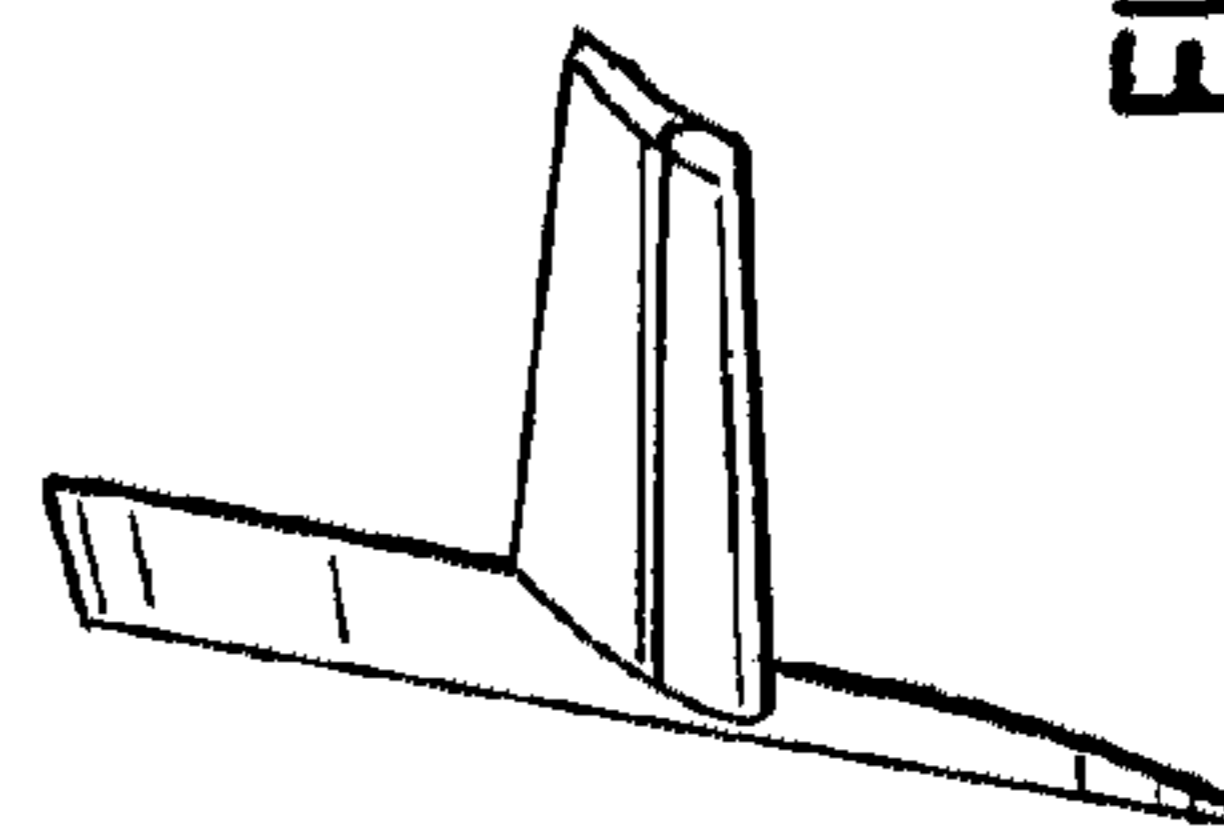


FIG. 5