



US00D664476S

(12) **United States Design Patent**
Fraley et al.

(10) **Patent No.:** **US D664,476 S**
(45) **Date of Patent:** **** Jul. 31, 2012**

(54) **TRAILER WITH MULTI-POSITIONAL GATE**

(75) Inventors: **J. Phillip Fraley**, Winfield, AL (US);
John W. Davis, III, Winfield, AL (US)

(73) Assignee: **King Kutter, Inc.**, Winfield, AL (US)

(**) Term: **14 Years**

(21) Appl. No.: **29/401,569**

(22) Filed: **Sep. 13, 2011**

(51) **LOC (9) Cl.** **12-10**

(52) **U.S. Cl.** **D12/105**

(58) **Field of Classification Search** D12/100-106,
D12/19, 129; D21/425, 435; D34/21-26,
D34/12, 16; 280/204, 205, 63, 475, 482,
280/647;
296/168, 180, 180.2, 10, 61, 100.01-100.08

See application file for complete search history.

(56) **References Cited**

U.S. PATENT DOCUMENTS

| | | | | |
|-----------|-----|---------|--------------------|-----------|
| 3,387,406 | A | 6/1968 | Coker | |
| 3,567,274 | A | 3/1971 | Kaptur, Jr. et al. | |
| 3,623,764 | A | 11/1971 | Jacobus | |
| 5,211,437 | A | 5/1993 | Gerulf | |
| 5,340,145 | A * | 8/1994 | Leib et al. | 280/656 |
| 5,480,180 | A * | 1/1996 | Fuller et al. | 280/656 |
| 5,685,594 | A | 11/1997 | Harper | |
| 5,775,711 | A * | 7/1998 | Floe | 280/405.1 |
| D402,924 | S * | 12/1998 | Neault et al. | D12/101 |
| D418,451 | S * | 1/2000 | Konecheck | D12/101 |
| 6,742,826 | B2 | 6/2004 | Humphrey | |
| 6,764,130 | B1 | 7/2004 | Hull | |
| 6,779,825 | B1 | 8/2004 | Greenert et al. | |
| 6,834,903 | B2 | 12/2004 | Harper et al. | |
| 6,938,941 | B2 | 9/2005 | Thiele et al. | |
| 7,093,876 | B2 | 8/2006 | Romig et al. | |

| | | | | |
|--------------|------|---------|-------------------------------|-----------|
| 7,175,205 | B2 * | 2/2007 | Simpson | 280/789 |
| 7,380,873 | B2 | 6/2008 | Shoemaker | |
| D574,755 | S * | 8/2008 | Thurm | D12/101 |
| 7,481,479 | B1 | 1/2009 | Townson et al. | |
| 7,527,281 | B1 * | 5/2009 | Rowland et al. | 280/491.1 |
| 7,597,374 | B1 | 10/2009 | Townson et al. | |
| 7,677,626 | B2 | 3/2010 | Hanzel | |
| 7,690,710 | B2 | 4/2010 | Townson et al. | |
| 7,697,182 | B2 * | 4/2010 | Uduki | 359/201.1 |
| 7,708,299 | B2 * | 5/2010 | Duval et al. | 280/401 |
| D630,558 | S * | 1/2011 | Hopkins Clutterbuck et al. | D12/106 |
| 2003/0193156 | A1 * | 10/2003 | Norris | 280/204 |
| 2007/0262562 | A1 * | 11/2007 | Senatore | 280/491.1 |

* cited by examiner

Primary Examiner — Caron D Veynar

Assistant Examiner — Katrina A Betton

(74) *Attorney, Agent, or Firm* — Angela Holt; Bradley Arant
Boult Cummings LLP

(57) **CLAIM**

The ornamental design for a trailer with multi-positional gate,
as shown and described.

DESCRIPTION

FIG. 1 is a side perspective view of the trailer of the present design.

FIG. 2 is a side perspective view of the trailer of the present design with the gate opened in a downward position.

FIG. 3 is a side perspective view of the trailer of the present design with the gate opened in a leftward position.

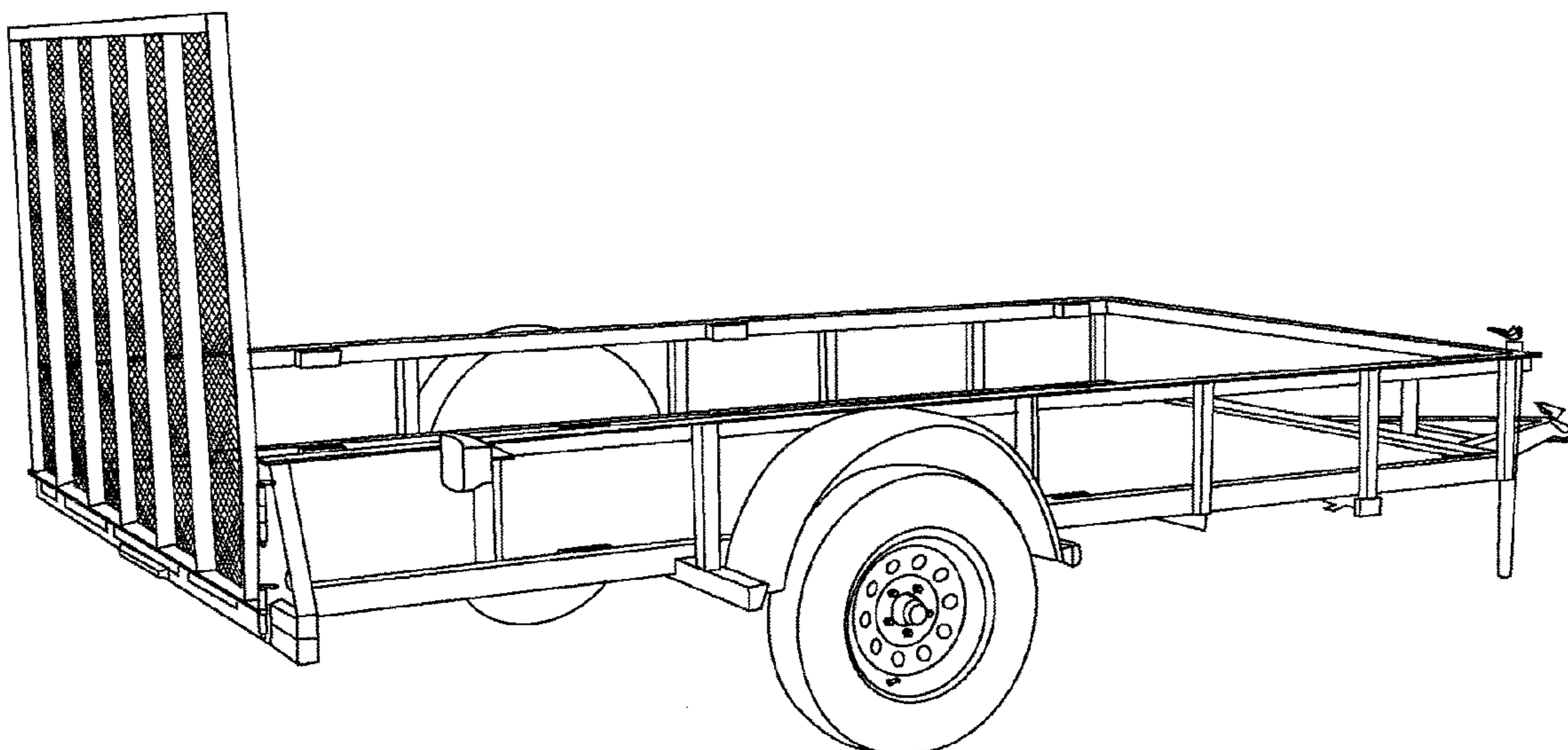
FIG. 4 is top plan view of the trailer of the present design.

FIG. 5 is a side plan view of the trailer of the present design.

FIG. 6 is a rear plan view of the trailer of the present design; and,

FIG. 7 is a front plan view of the trailer of the present design.

1 Claim, 4 Drawing Sheets



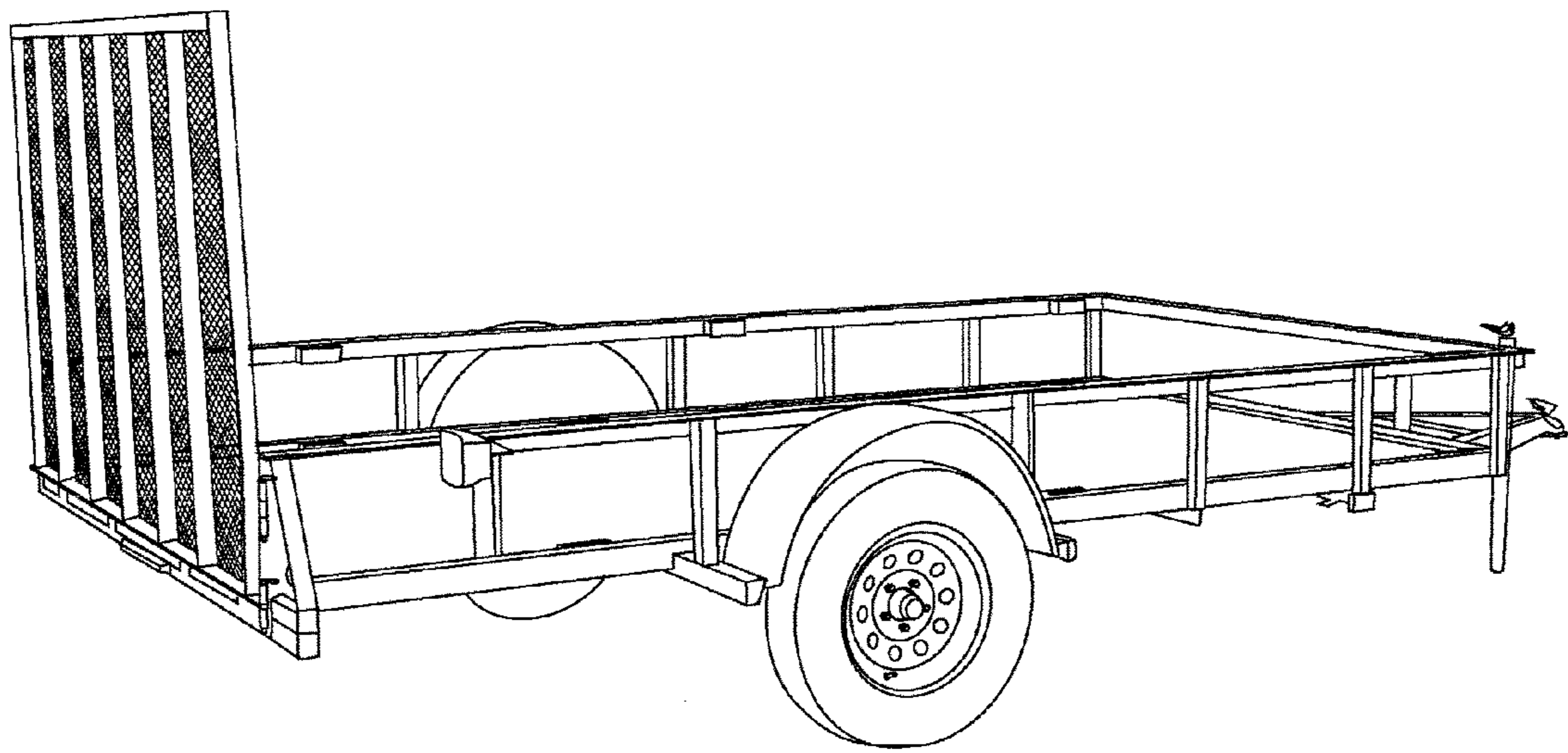


FIG. 1

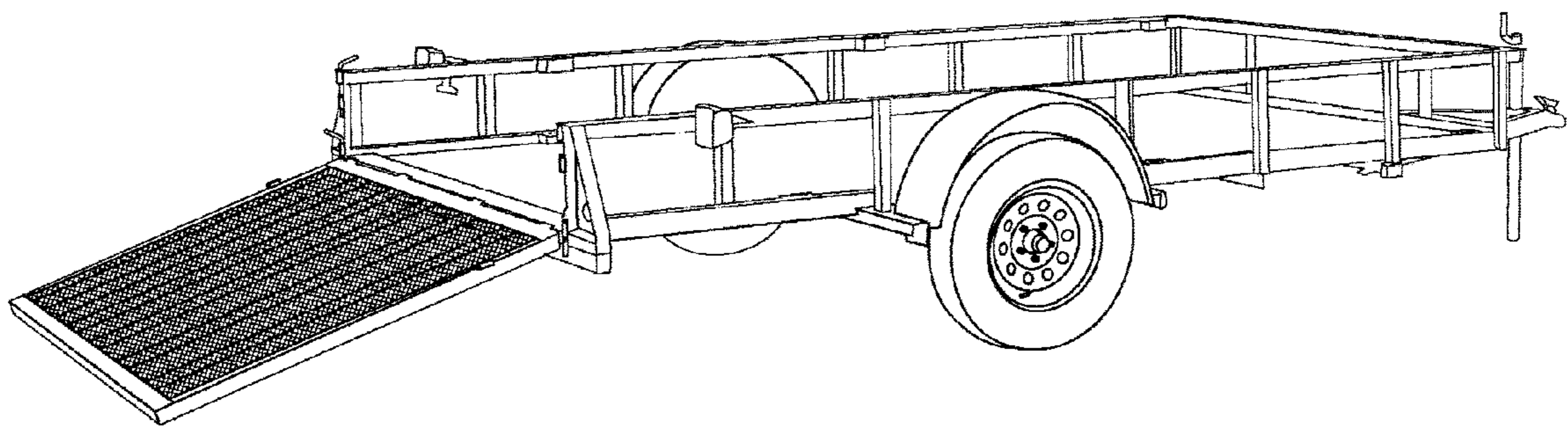


FIG. 2

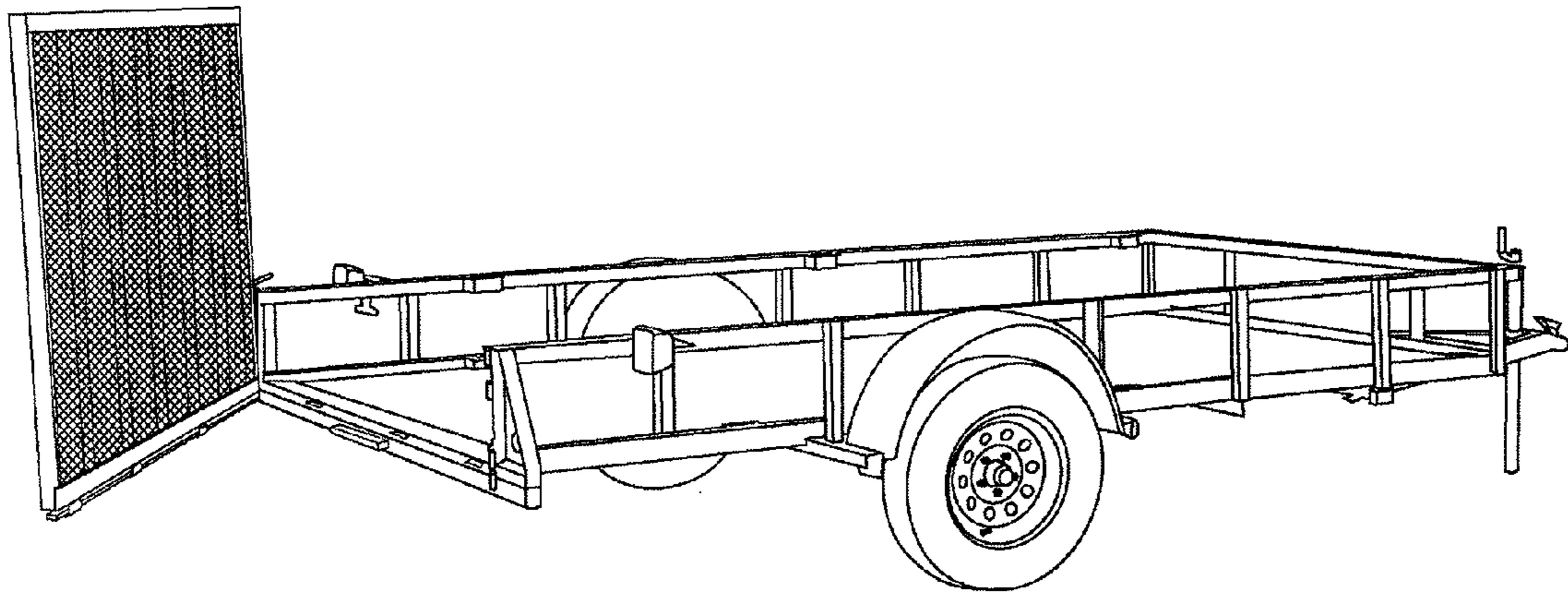


FIG. 3

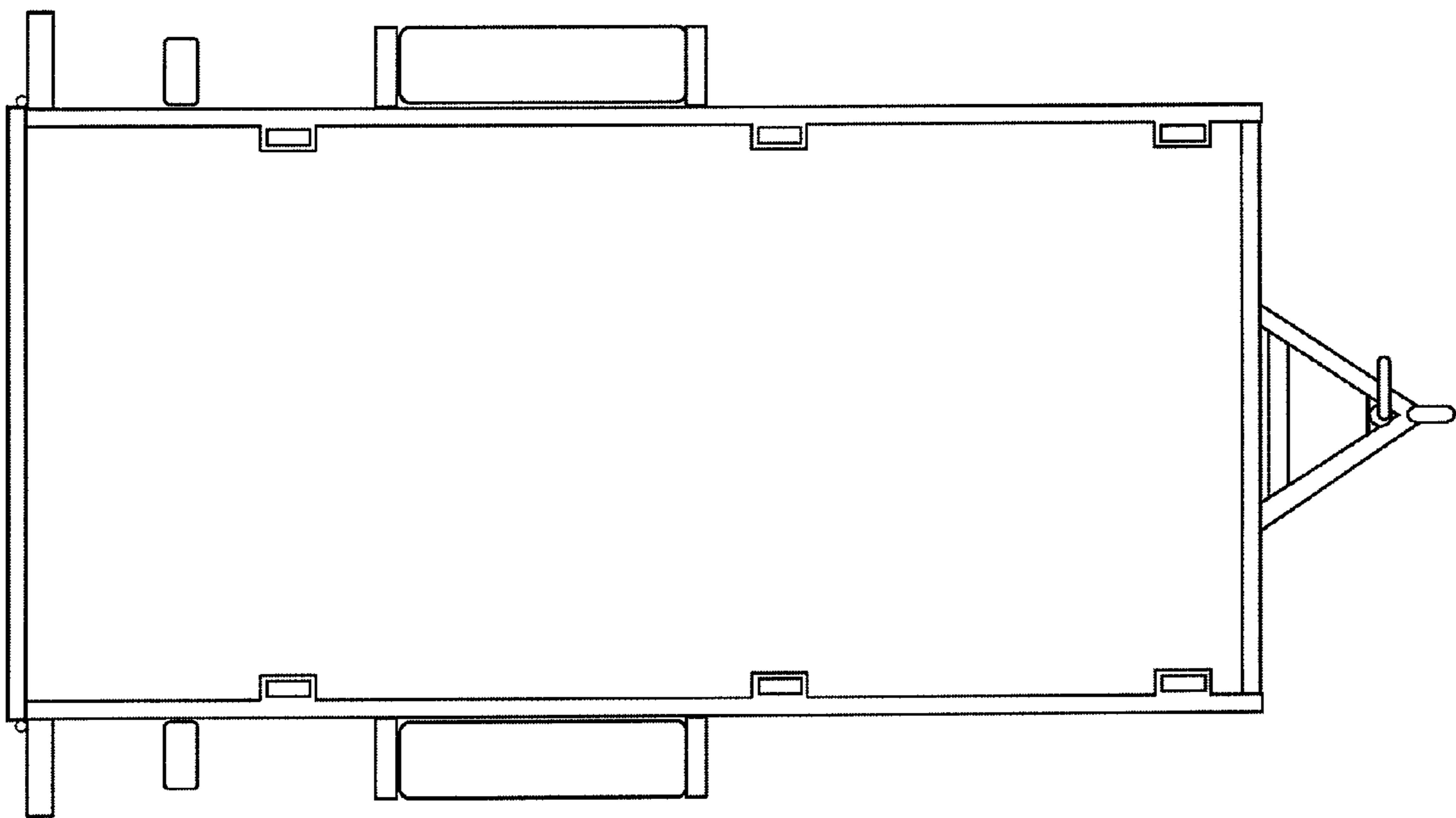


FIG. 4

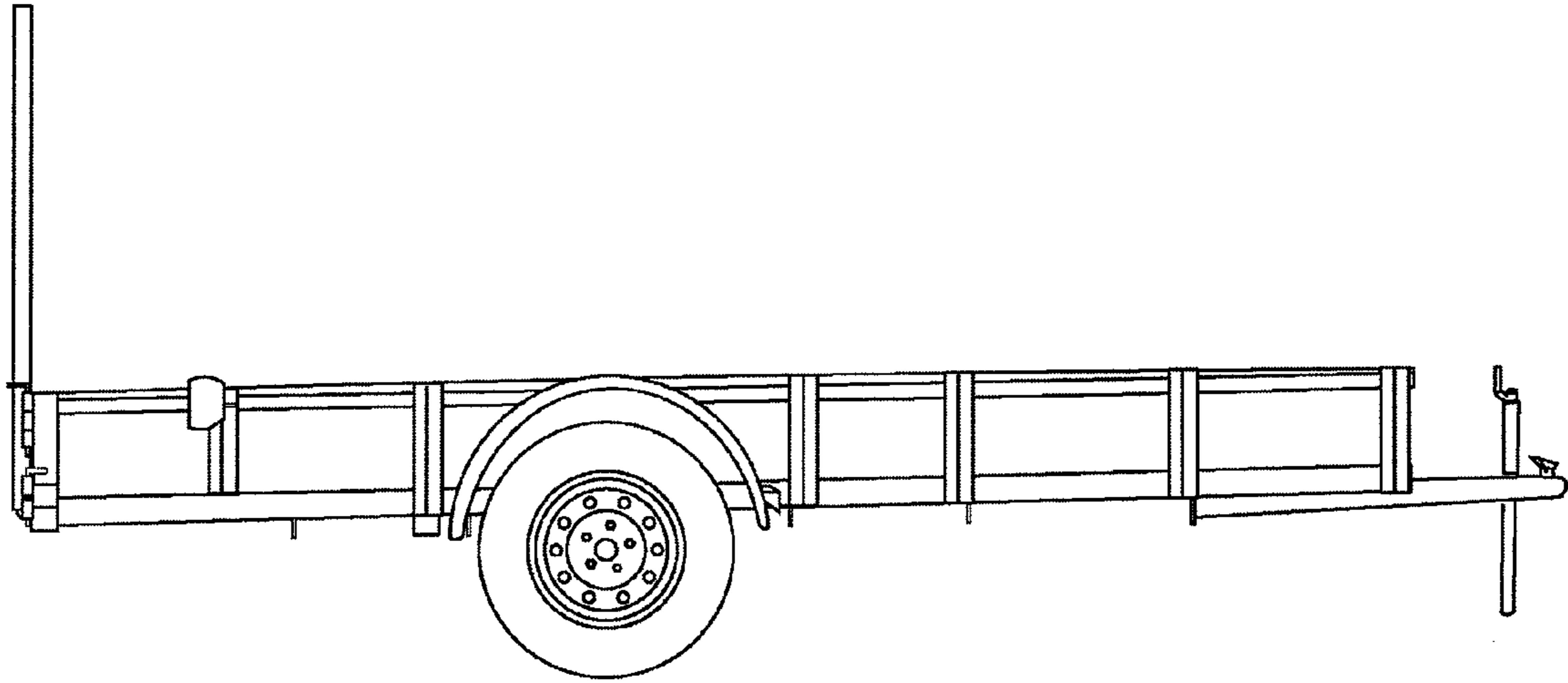


FIG. 5

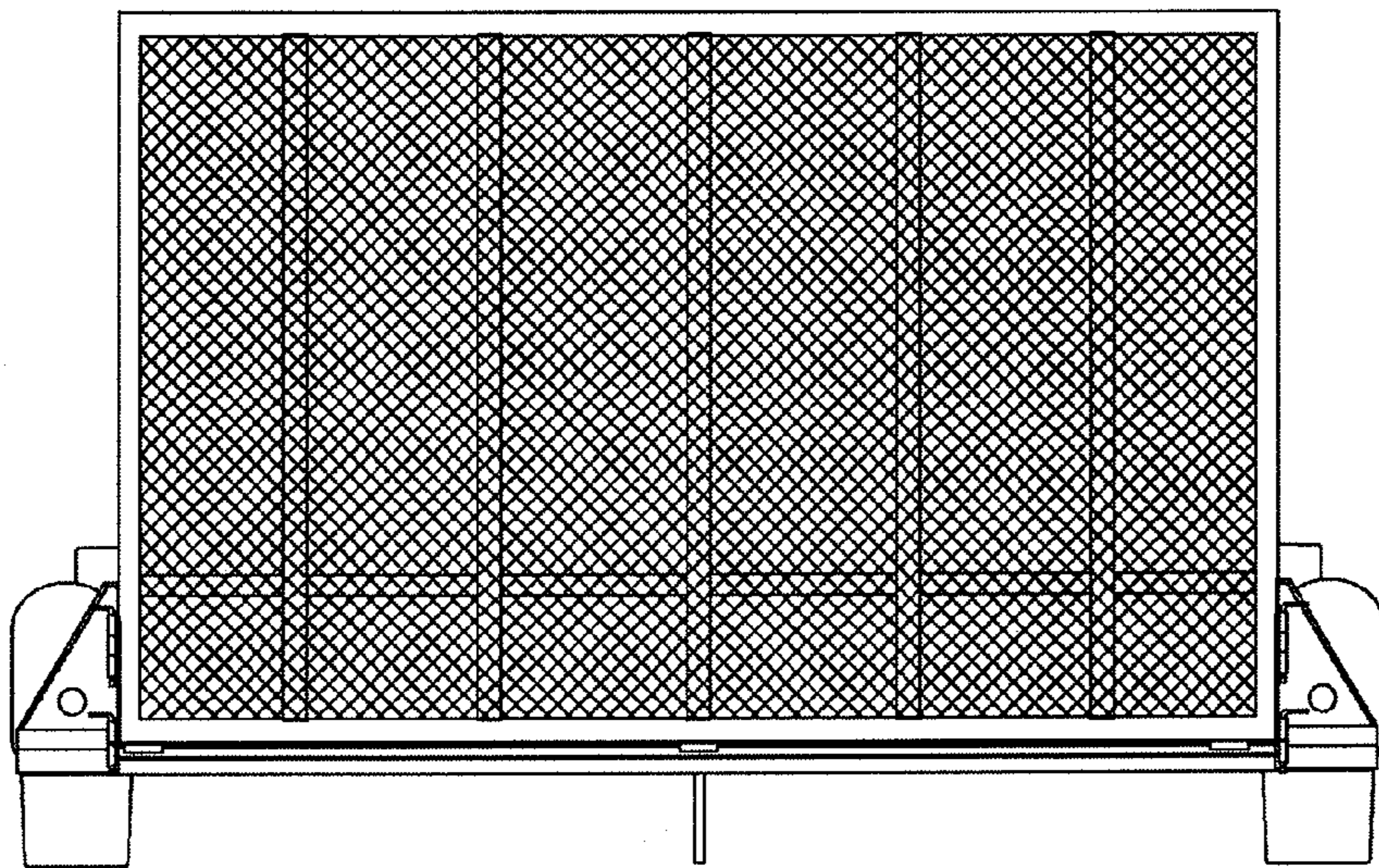


FIG. 6

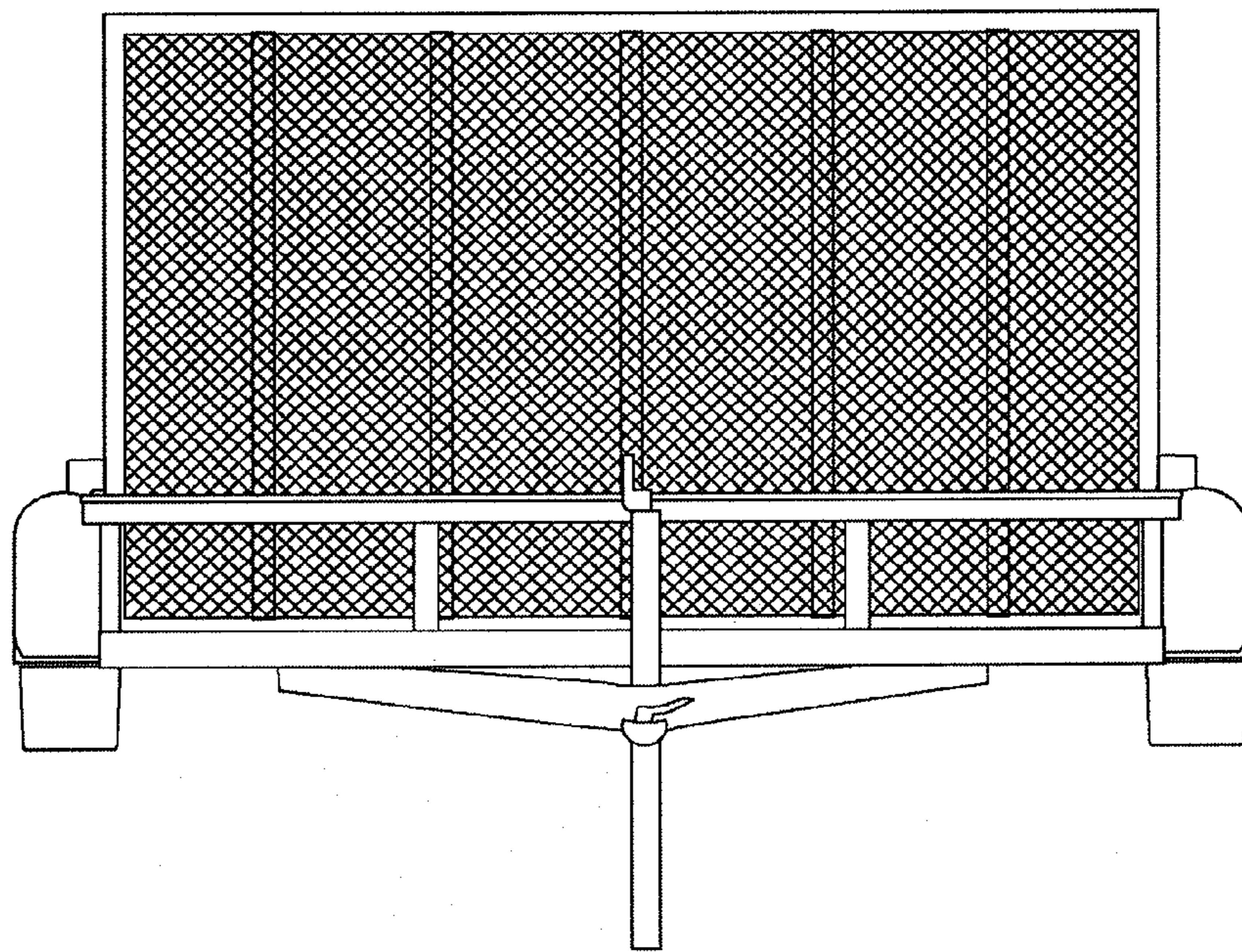


FIG. 7