



US00D664473S

(12) **United States Design Patent**
Crye et al.

(10) **Patent No.:** **US D664,473 S**
(45) **Date of Patent:** **** Jul. 31, 2012**

(54) **BUTTON**

(75) Inventors: **Caleb C. Crye**, Brooklyn, NY (US);
Michael Circosta, Brooklyn, NY (US)

(73) Assignee: **LineWeight, LLC**, Brooklyn, NY (US)

(**) Term: **14 Years**

(21) Appl. No.: **29/412,690**

(22) Filed: **Feb. 7, 2012**

(51) **LOC (9) Cl.** **02-07**

(52) **U.S. Cl.** **D11/222**

(58) **Field of Classification Search** D11/200–211,
D11/220, 222, 226–228, 489; D2/627–629,
D2/631, 639–640; 24/90.1, 625, 623, 303,
24/104, 96, 93, 114.4, 114.7, 614, 105, 90.5
See application file for complete search history.

(56) **References Cited**

U.S. PATENT DOCUMENTS

2,944,311	A *	7/1960	Schneckenberger	24/104
3,142,878	A *	8/1964	Santora	24/96
3,596,329	A *	8/1971	Hoban	24/93
3,787,935	A *	1/1974	Kapitan	24/114.4
4,097,969	A *	7/1978	Nysten	24/114.7
4,471,510	A *	9/1984	DeRosa	24/90.1
D288,185	S *	2/1987	Derosa	D11/222
D337,967	S *	8/1993	Wright	D11/226
5,404,623	A *	4/1995	Smiedt	24/614
5,426,828	A *	6/1995	Kusano	24/105
D361,740	S *	8/1995	Kidd	D11/228
5,621,951	A *	4/1997	Gould	24/90.5
D397,960	S *	9/1998	Brown	D11/222
D409,115	S *	5/1999	Kidd	D11/226
D411,968	S *	7/1999	Leung	D11/226
D412,137	S *	7/1999	Leung	D11/226
D412,864	S *	8/1999	Leung	D11/226
D539,698	S *	4/2007	Choi	D11/220
D592,997	S *	5/2009	Tardieu	D11/222

* cited by examiner

Primary Examiner — T. Chase Nelson

Assistant Examiner — Mark Cavanna

(74) *Attorney, Agent, or Firm* — Bishop & Diehl, Ltd.

(57) **CLAIM**

The ornamental design for the button, as shown and described.

DESCRIPTION

FIG. 1 is a perspective view of the assembled button showing the new design;

FIG. 2 is a front side elevational view of the button of FIG. 1;

FIG. 3 is a back side elevational view of the button of FIG. 1;

FIG. 4 is a left side plan view (with reference to FIG. 2) of the button of FIG. 1;

FIG. 5 is a right side plan view (with reference to FIG. 2) of the button of FIG. 1;

FIG. 6 is a top elevational view (with reference to FIG. 2) of the button of FIG. 1;

FIG. 7 is a bottom elevational view (with reference to FIG. 2) of the button of FIG. 1;

FIG. 8 is a perspective view of the unassembled button showing the new design;

FIG. 9 is a front side elevational view of the button of FIG. 8;

FIG. 10 is a back side elevational view of the button of FIG. 8;

FIG. 11 is a left side plan view (with reference to FIG. 9) of the button of FIG. 8;

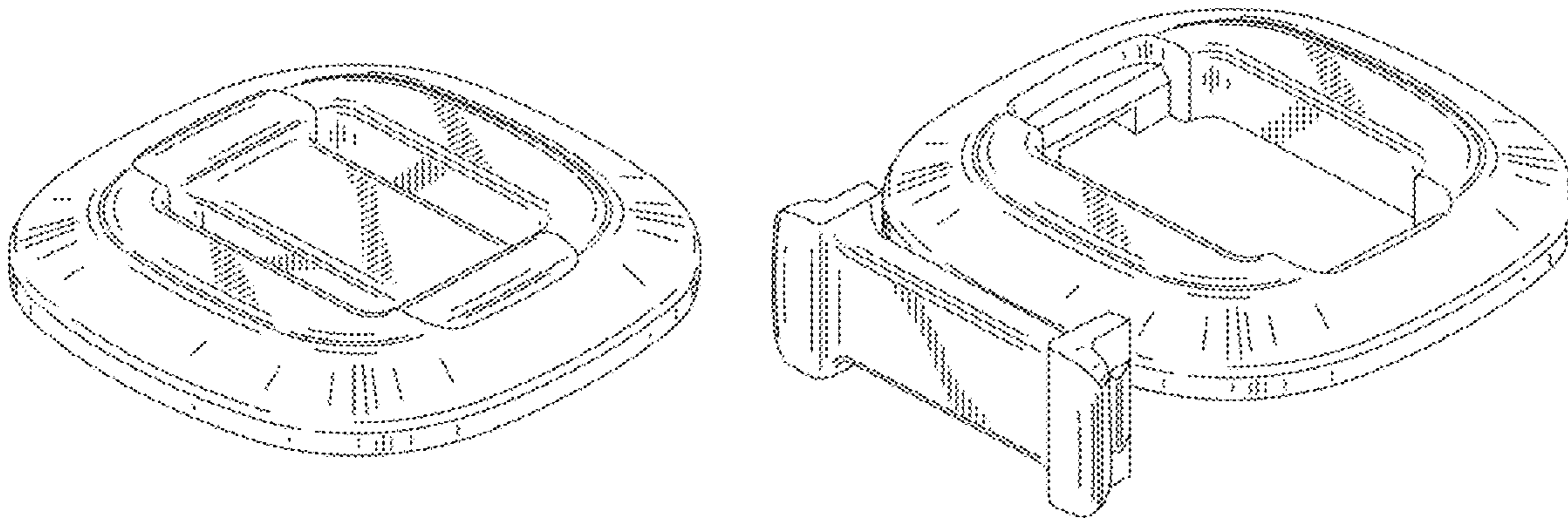
FIG. 12 is a right side plan view (with reference to FIG. 9) of the button of FIG. 8;

FIG. 13 is a top elevational view (with reference to FIG. 9) of the button of FIG. 8; and,

FIG. 14 is a bottom elevational view (with reference to FIG. 9) of the button of FIG. 8.

Any components in the appended drawings shown in broken lines are for illustrative purposes only and form no part of the claimed design or a specified embodiment thereof.

1 Claim, 14 Drawing Sheets



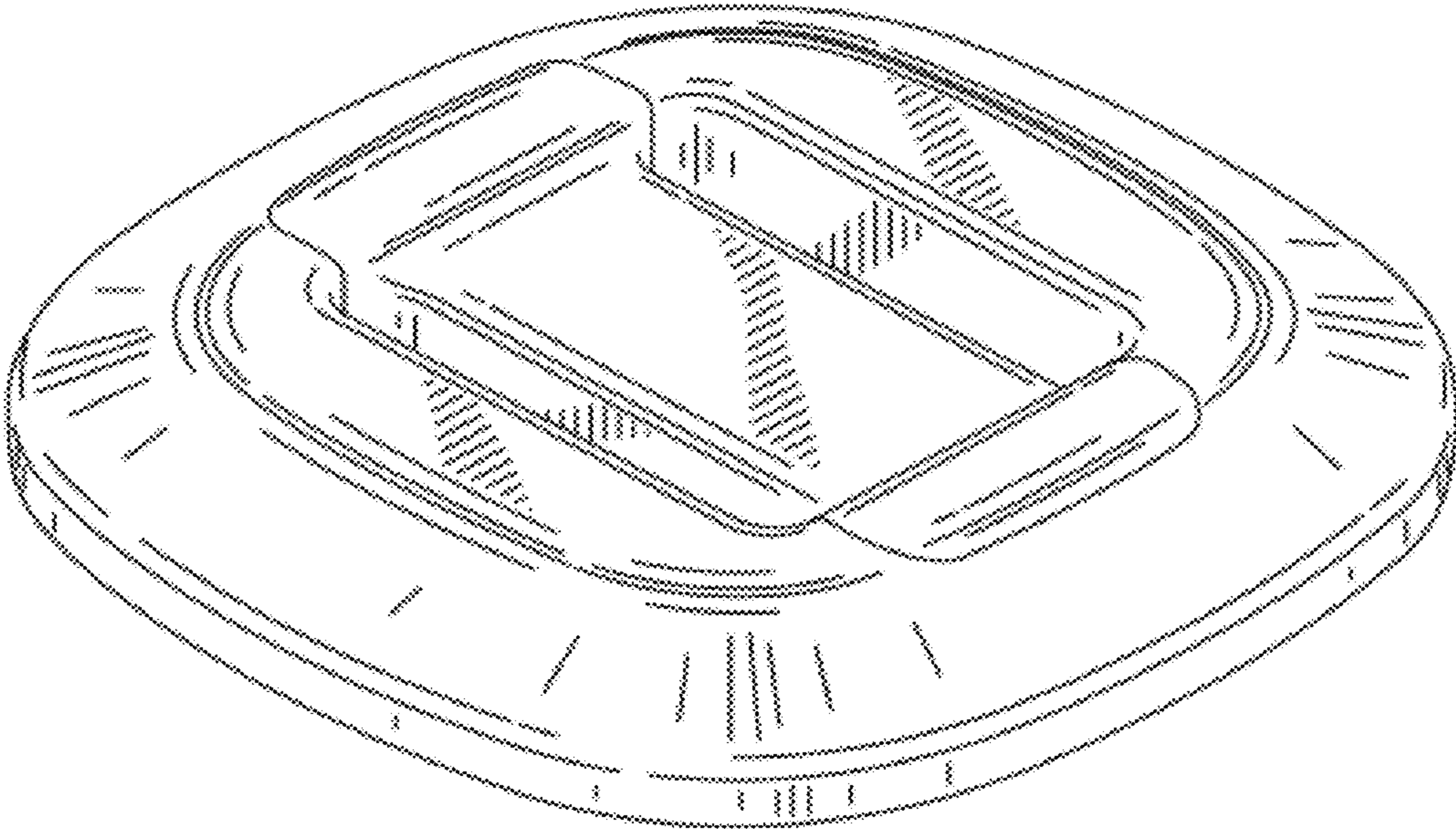


FIG. 1

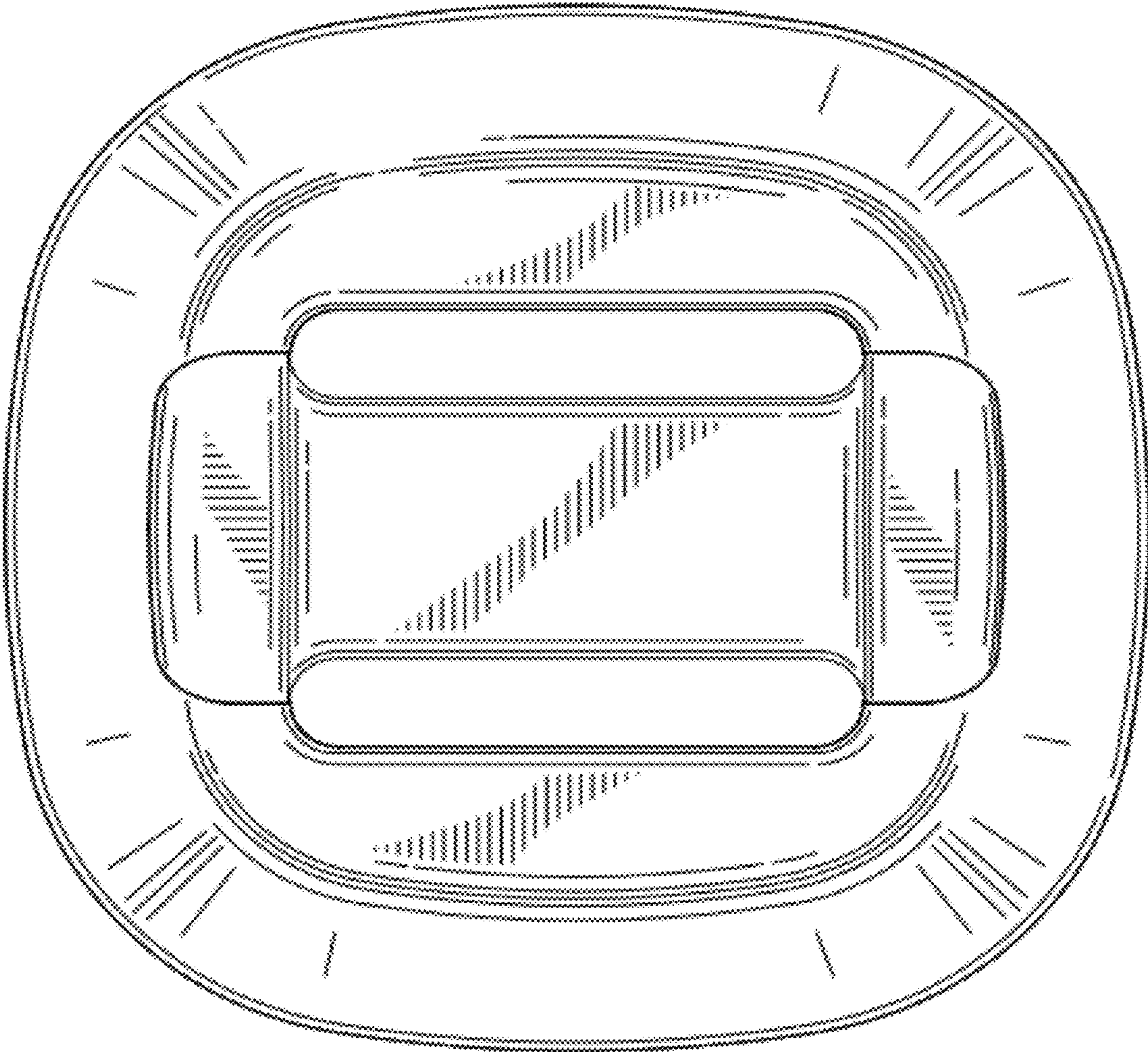


FIG. 2

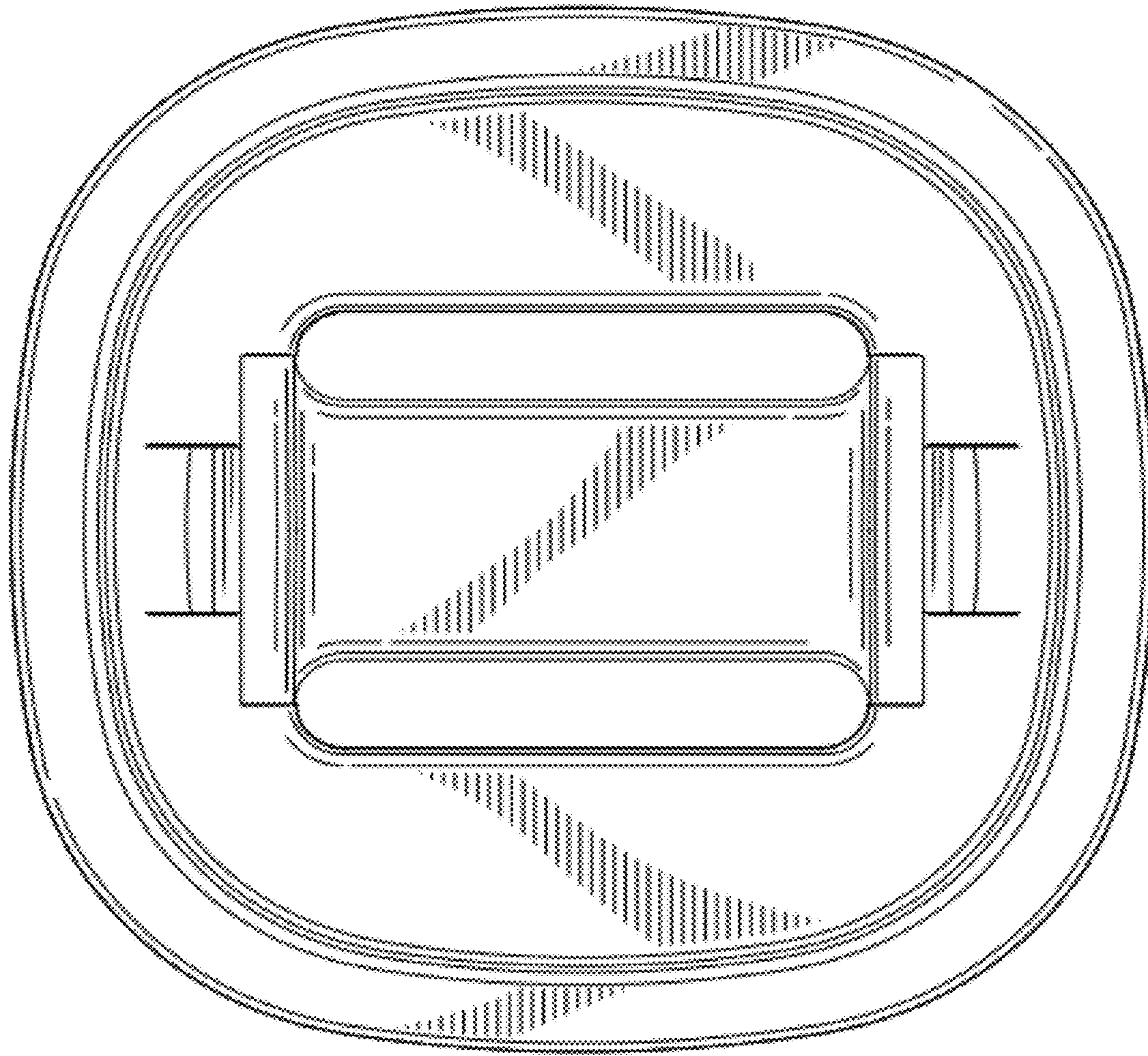


FIG. 3

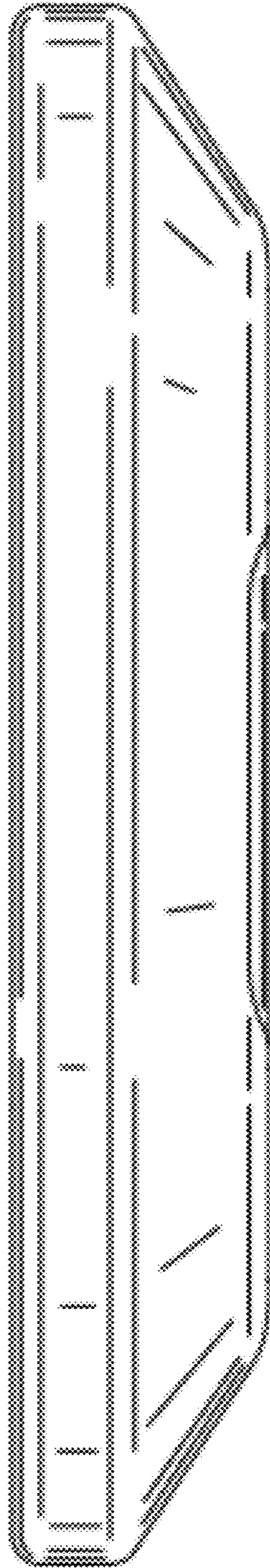


FIG. 4

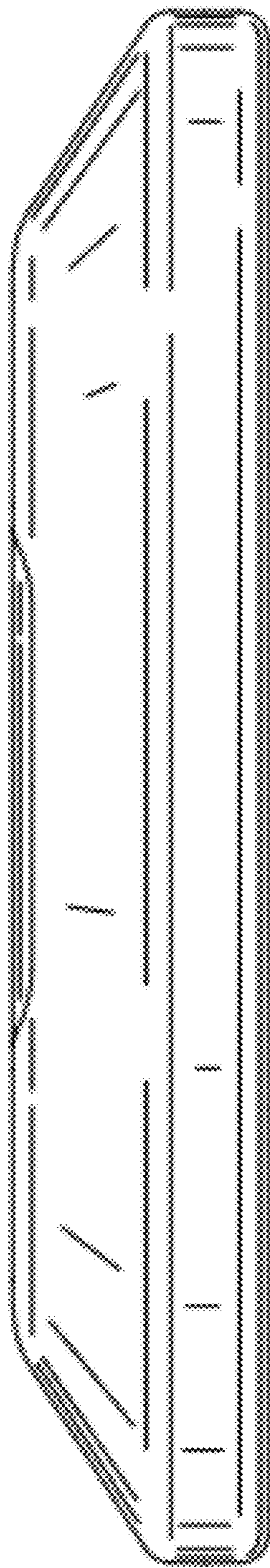


FIG. 5

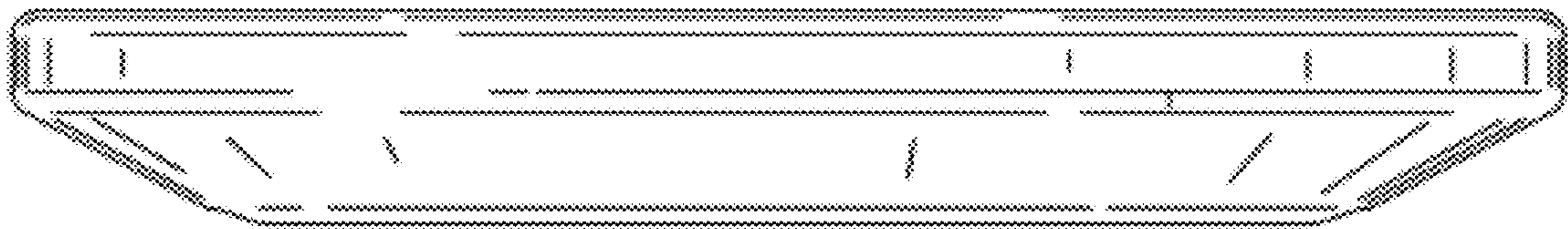


FIG. 6

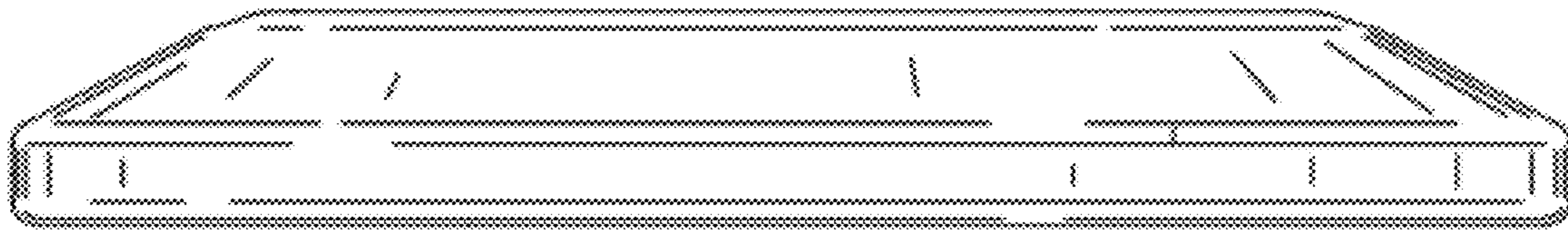


FIG. 7

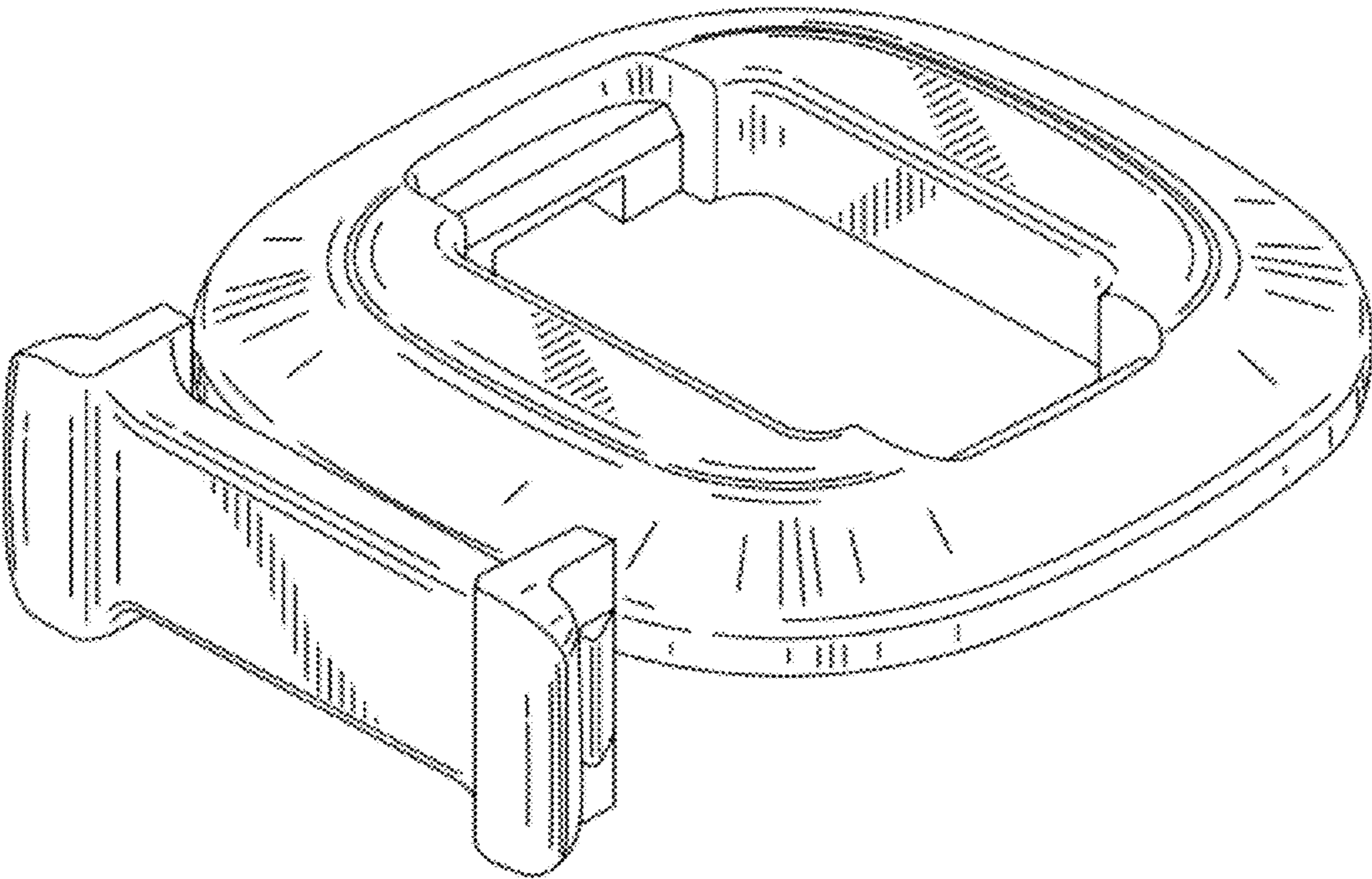


FIG. 8

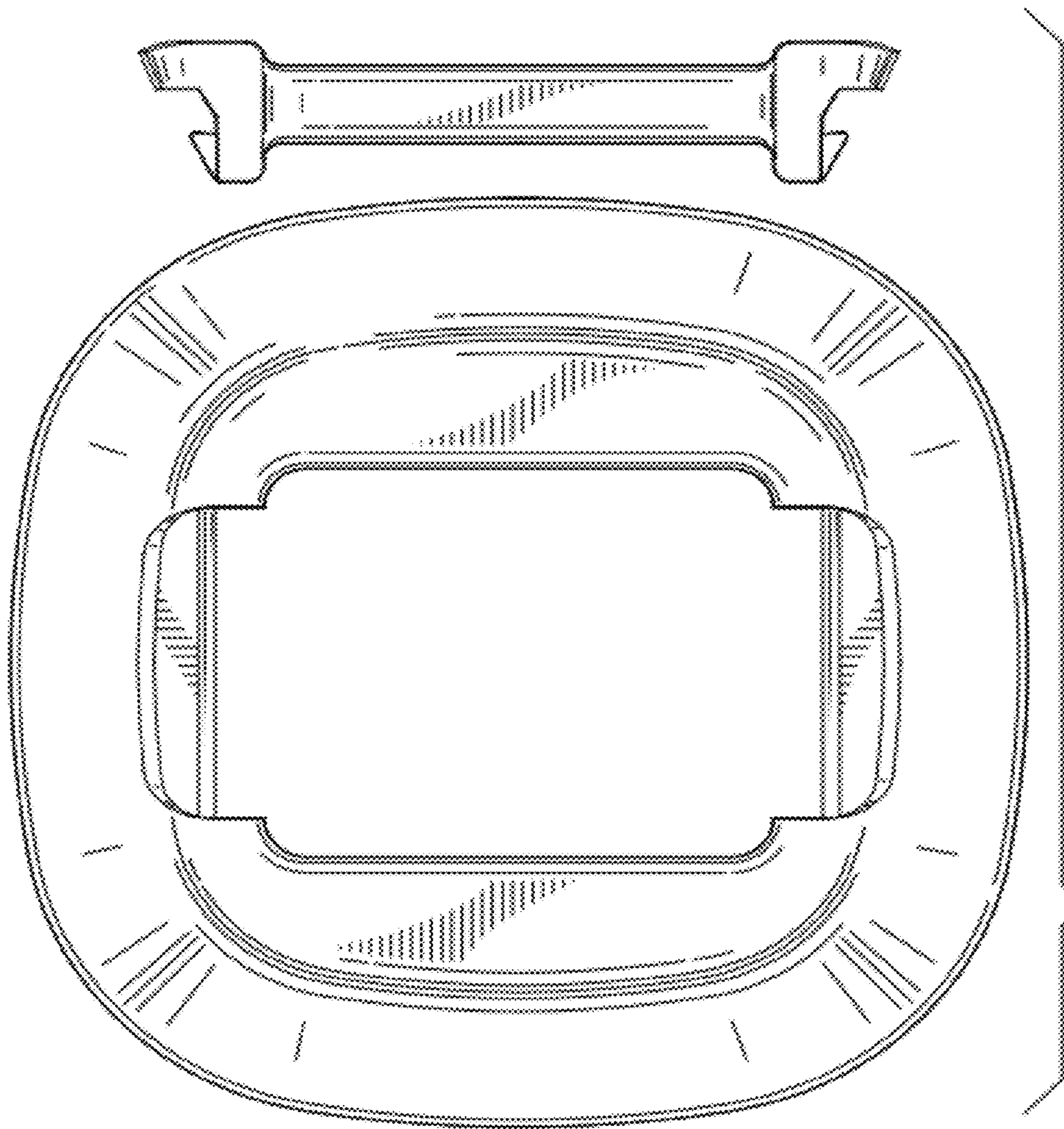


FIG. 9

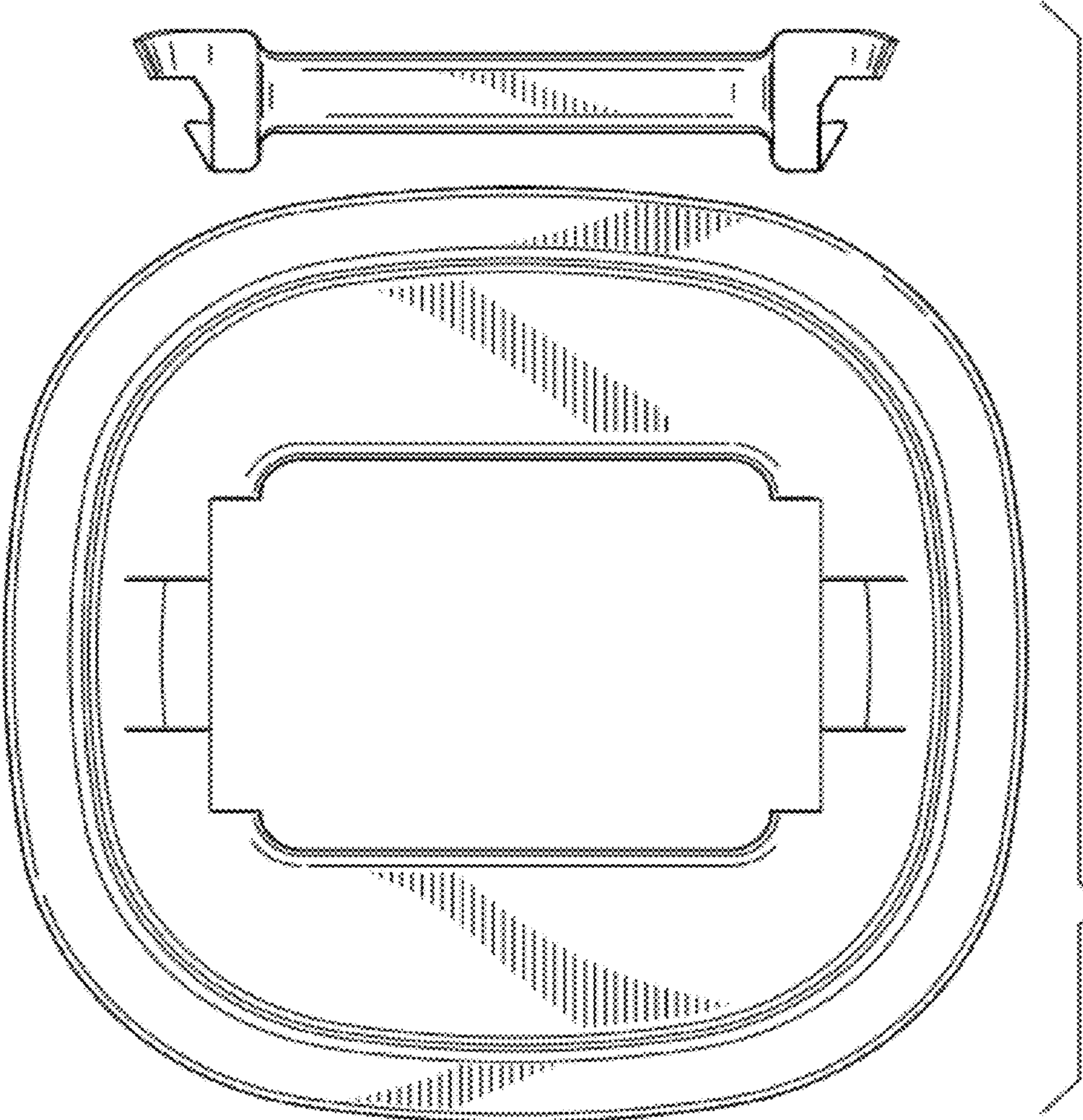


FIG. 10

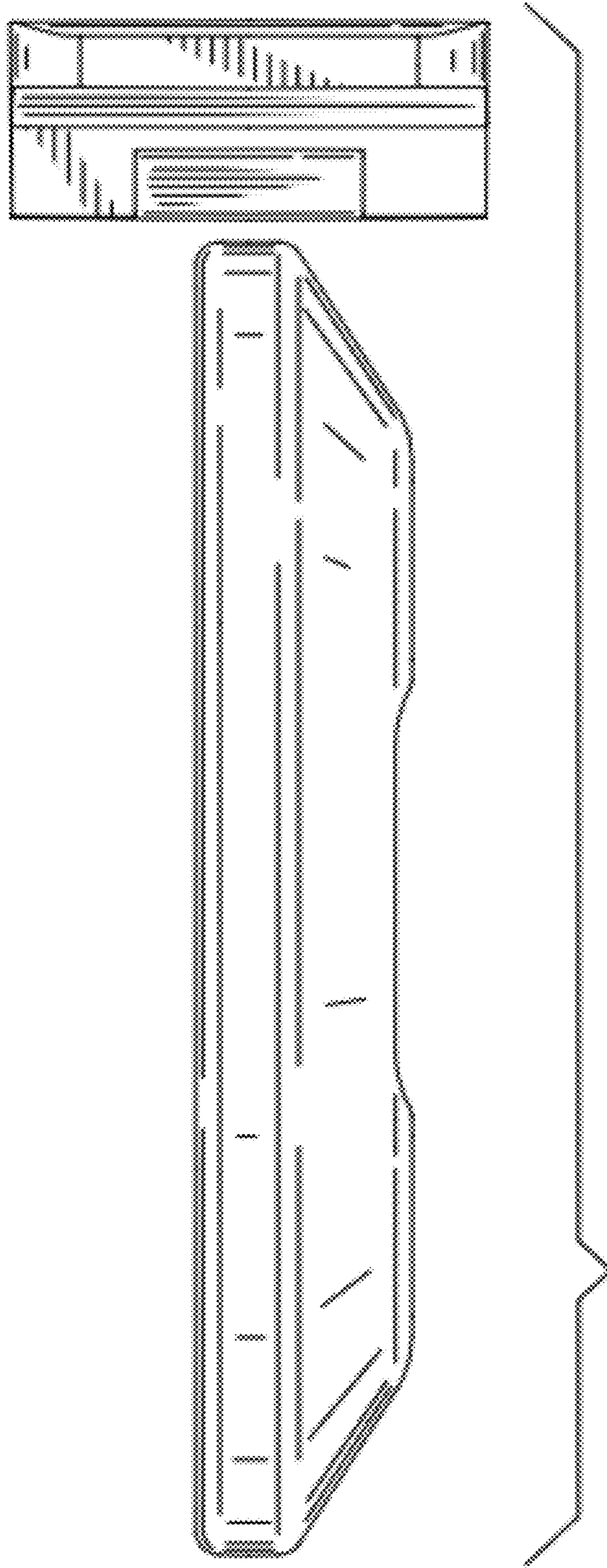
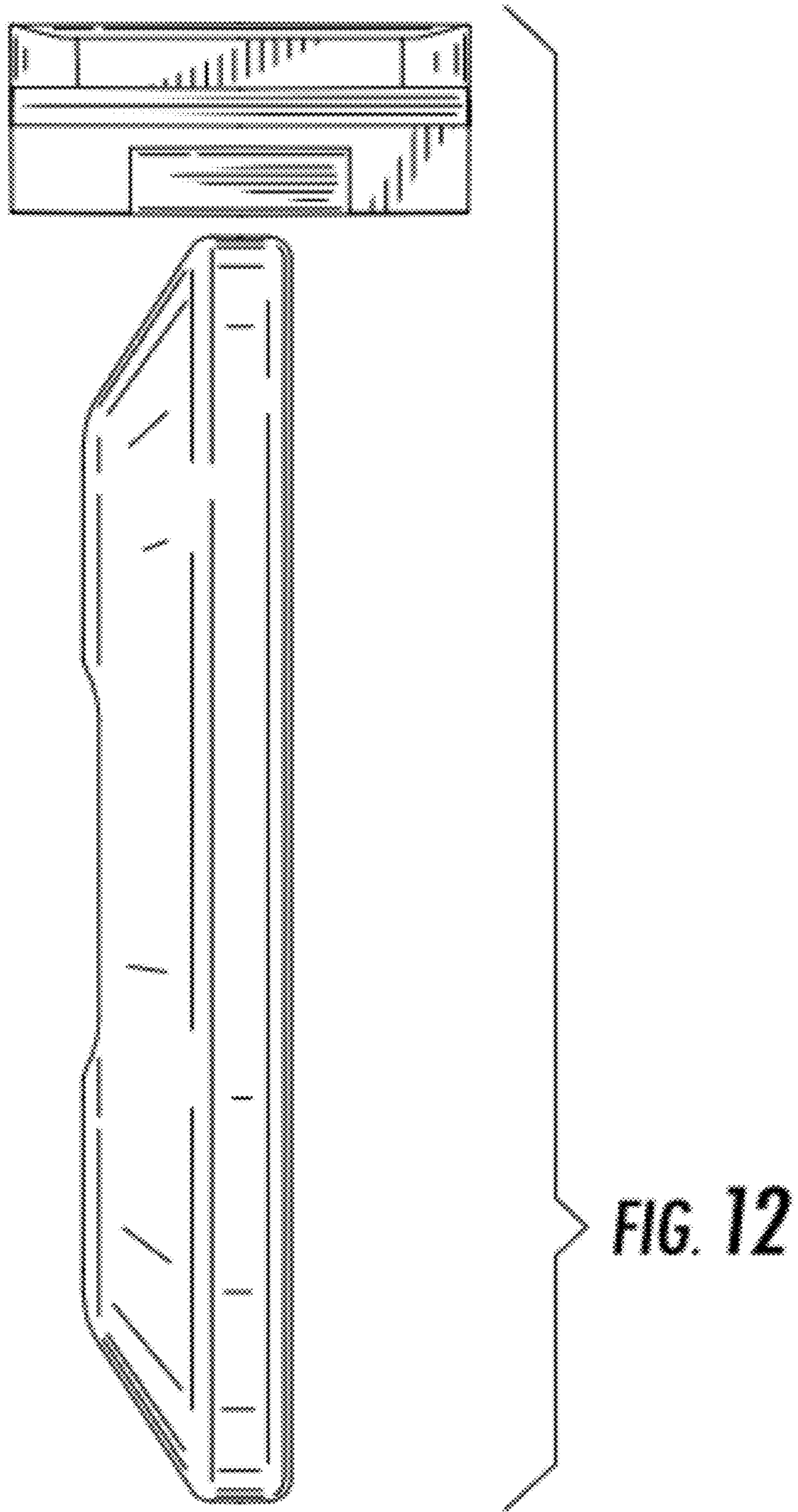


FIG. 11



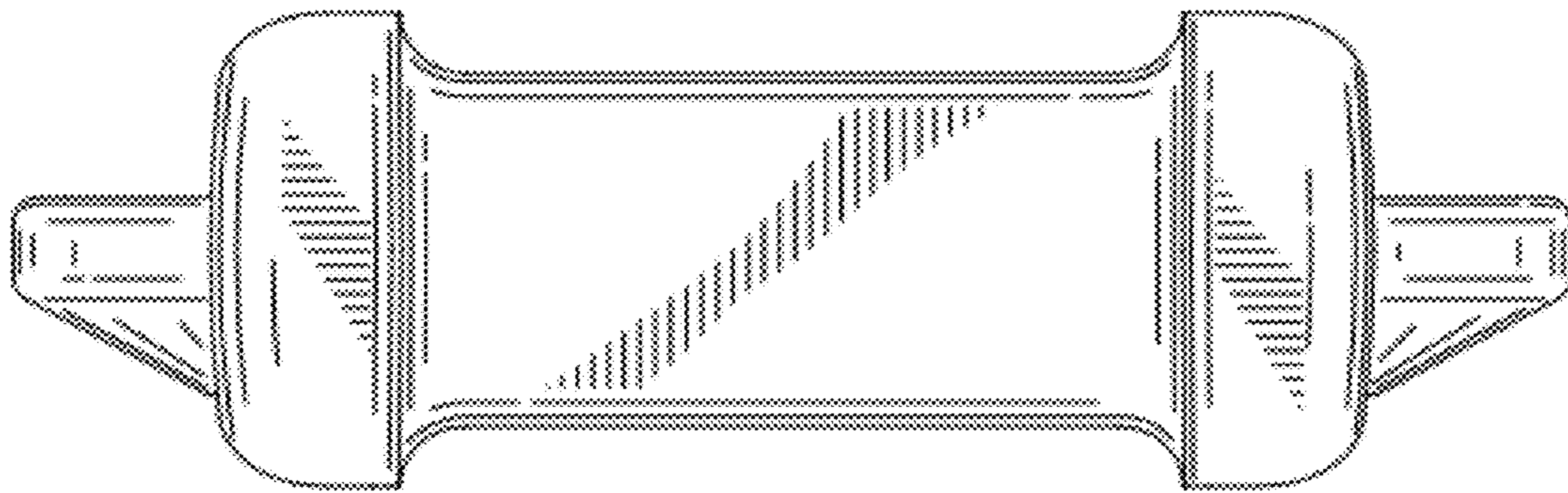


FIG. 13

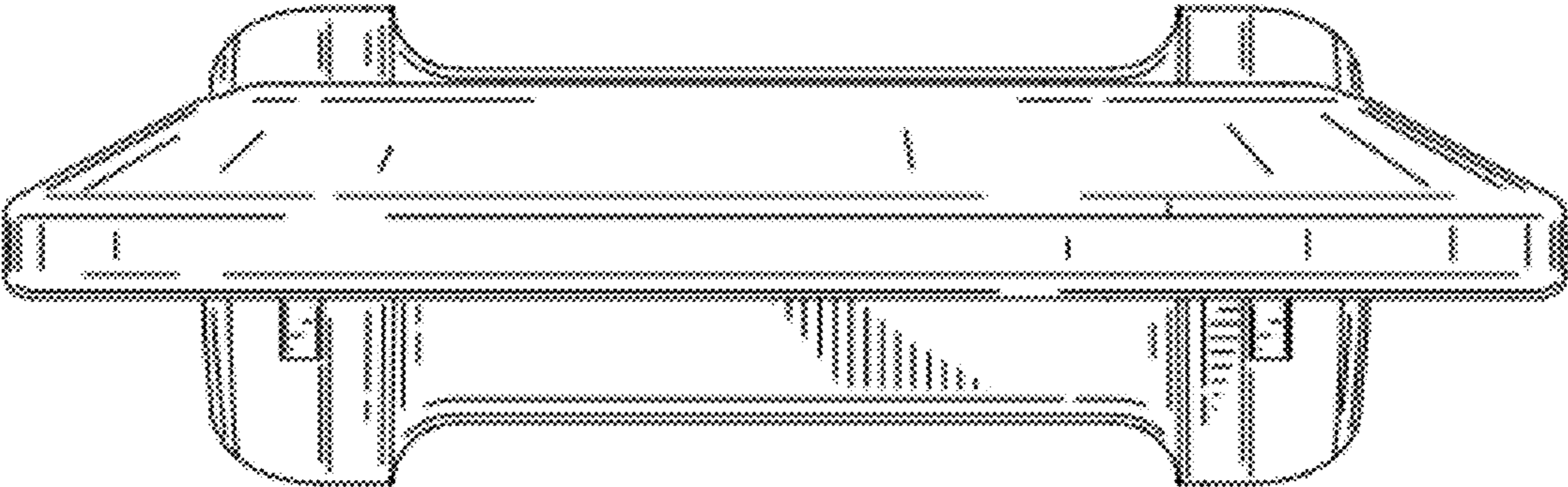


FIG. 14