



US00D664471S

(12) **United States Design Patent**
Fernandez

(10) **Patent No.:** **US D664,471 S**
(45) **Date of Patent:** **** Jul. 31, 2012**

(54) **COMBINED MAGNET AND SECTIONED OBJECT FOR DECORATION AND FUN**

(76) Inventor: **Horacio Fernandez**, Medellin (CO)

(**) Term: **14 Years**

(21) Appl. No.: **29/360,977**

(22) Filed: **May 4, 2010**

(51) **LOC (9) Cl.** **11-02**

(52) **U.S. Cl.** **D11/131; D21/404; D21/398; D21/471**

(58) **Field of Classification Search** D21/385, D21/386, 388, 389, 404, 436, 451, 452, 471, D21/472, 478, 479, 483, 484, 486, 487, 493-495, D21/503-507, 510, 511, 576-661, 699, 700, D21/706, 707, 790, 798, 811, 812; D11/48, D11/72, 81, 131-164; D13/183; D3/10-15, D3/17, 20-212, 269, 270, 271.1, 271.6, 271.11, D3/273, 302; D6/329, 396, 397, 411, 412, D6/415, 441, 449, 450, 455, 491, 495, 497, D6/509, 512-521, 526, 534, 541, 551; D9/632, D9/638, 640, 673, 674, 500, 501, 504, 529, D9/723-729, 711, 712, 414, 424; D10/1-29, D10/40-45, 46, 46.1, 52-57, 68, 104.1, 105-106.9, D10/109.1, 109.2, 111, 113.1-114.2, 114.6; D16/130, 134-137; D19/35, 36, 41, 42, D19/59, 62, 66, 71, 75, 77, 82, 95-97; D20/10, D20/12, 16, 17, 19, 29, 35; D22/115, 116; D26/93-95, 97, 104, 110, 130-135; D25/31, D25/113, 126, 128, 133, 135; D28/4, 8.1, D28/8.2, 76-79, 82, 88, 91; D99/24, 99, 446/4, 69-73, 75, 76, 79, 85, 88, 92, 93, 446/97-101, 117, 129-139, 268, 321, 385-388, 446/476; 273/239, 260, 261, 288-291, 157 R; 434/81, 96, 168, 171, 172, 208, 211, 213, 434/214, 403; 40/358; 16/403; 428/7, 8, 428/28, 33, 542.2-542.6, 900

See application file for complete search history.

(56) **References Cited**

U.S. PATENT DOCUMENTS

1,527,051 A * 2/1925 Longan 434/235
(Continued)

FOREIGN PATENT DOCUMENTS

CN 3082253 * 8/1998
(Continued)

Primary Examiner — Catherine Tuttle

(74) *Attorney, Agent, or Firm* — Schmeiser, Olsen & Watts, LLP

(57) **CLAIM**

I claim the ornamental design for a combined magnet and sectioned object for decoration and fun, as shown and described.

DESCRIPTION

FIG. 1 is a front elevational view of the upper portion of my new design for a combined magnet and sectioned object for decoration and fun, shown separately for a clear disclosure of its lower end;

FIG. 2 is a rear elevational view of FIG. 1;

FIG. 3 is a right side elevational view of FIG. 1;

FIG. 4 is a left side elevational view of FIG. 1;

FIG. 5 is a perspective view of FIG. 1, seen from the rear top and right side;

FIG. 6 is a rear elevational view of the lower portion of the design, shown separately for a clear disclosure of its upper end;

FIG. 7 is a front elevational view of FIG. 6;

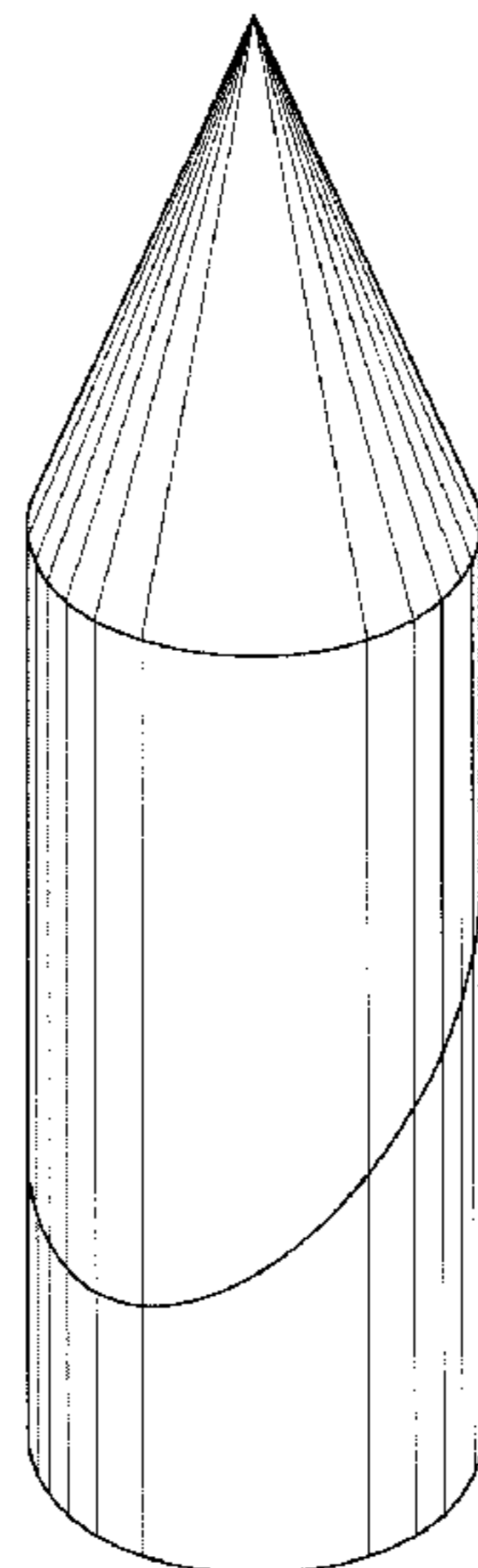
FIG. 8 is a right side elevational view of FIG. 6;

FIG. 9 is a left side elevational view of FIG. 6;

FIG. 10 is a perspective view of FIG. 6, seen from the top rear and right side; and,

FIG. 11 is a top, rear and right perspective view showing the design in its assembled state.

1 Claim, 11 Drawing Sheets



US D664,471 S

Page 2

U.S. PATENT DOCUMENTS

D138,214 S * 7/1944 Miller D21/478
D141,567 S * 6/1945 Tackett D21/510
2,756,538 A * 7/1956 Corbett 446/52
2,844,363 A * 7/1958 Clark 416/3
2,929,159 A * 3/1960 Feldhake 434/211
3,173,218 A * 3/1965 McAlister, Jr. 434/211
3,517,935 A * 6/1970 Graham 273/290
3,984,110 A * 10/1976 Eckert 273/286
D246,743 S * 12/1977 Schulte et al. D3/270
D270,363 S * 8/1983 Nichols D21/389
D271,090 S * 10/1983 Edgar et al. D11/131
D271,593 S * 11/1983 Stone et al. D21/472

D280,451 S * 9/1985 Bakic D28/88
D333,426 S * 2/1993 Lande D9/673
2008/0200092 A1* 8/2008 Chung 446/131

FOREIGN PATENT DOCUMENTS

DE 40407360-0002 * 4/2005
DE 40407360-0003 * 4/2005
GB 2039453 * 9/1994
JP 11347012 A * 12/1999
KR 300411677.0000 * 4/2006
WO WO 2006047499 A2 * 5/2006

* cited by examiner

FIG 1

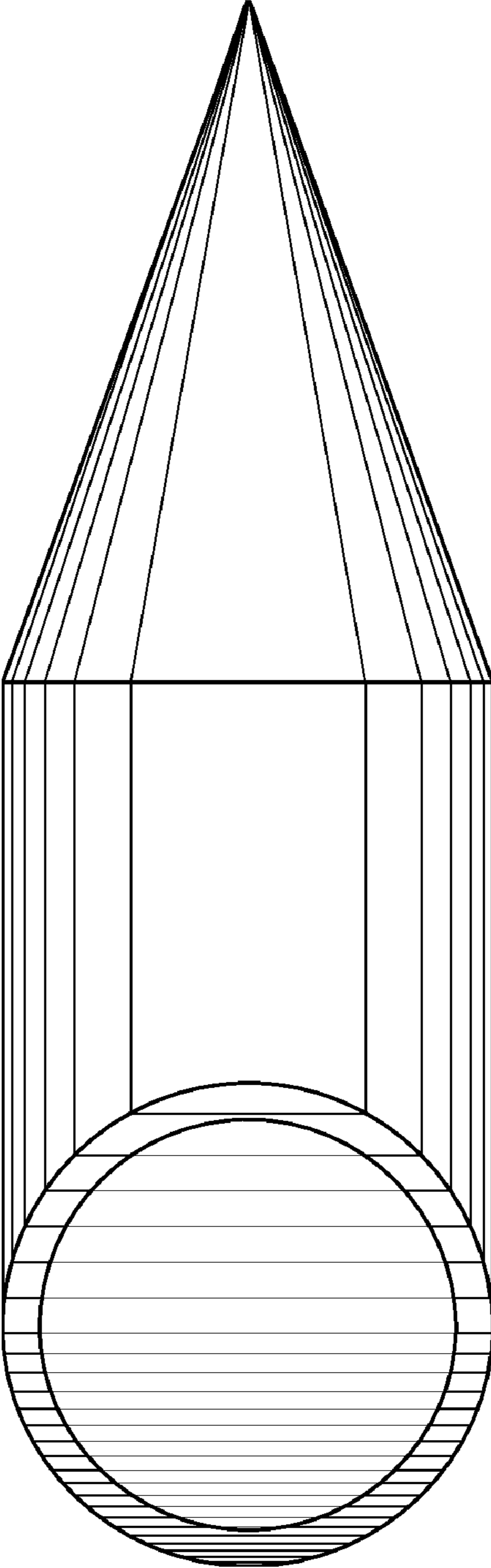


FIG. 2

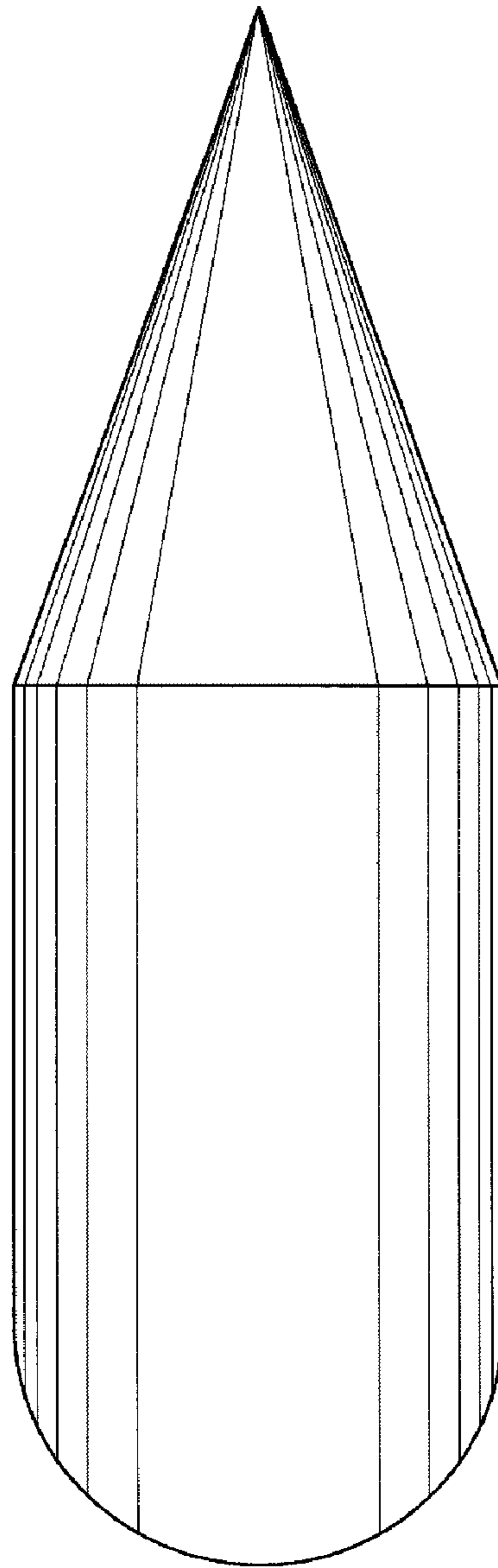


FIG. 3

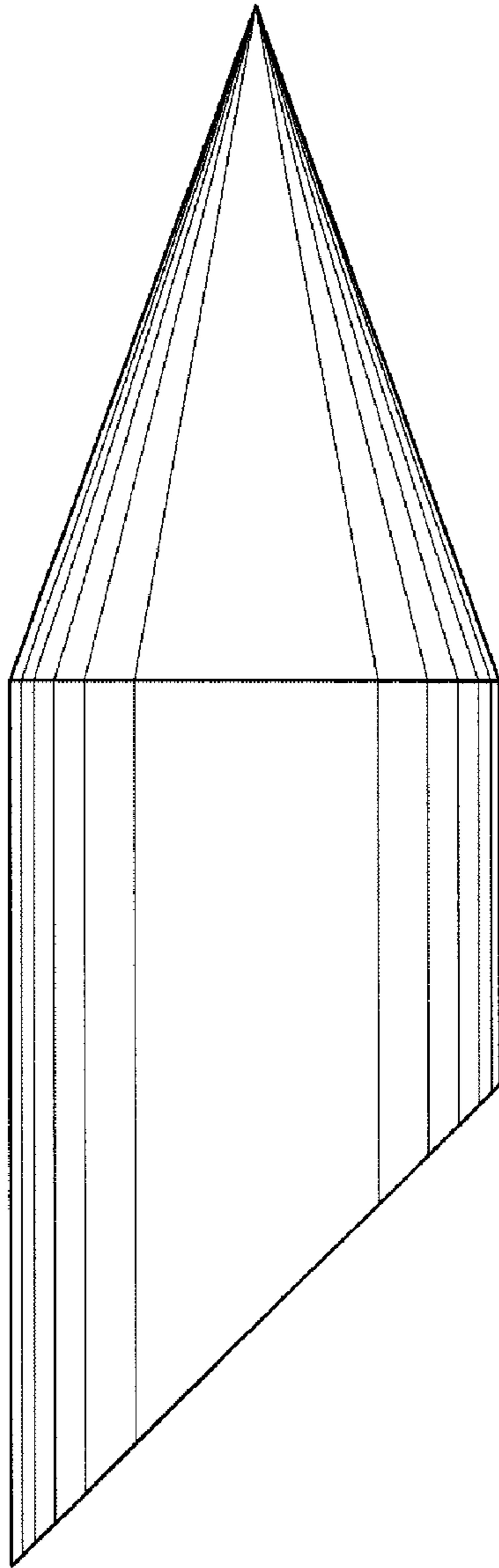


FIG. 4

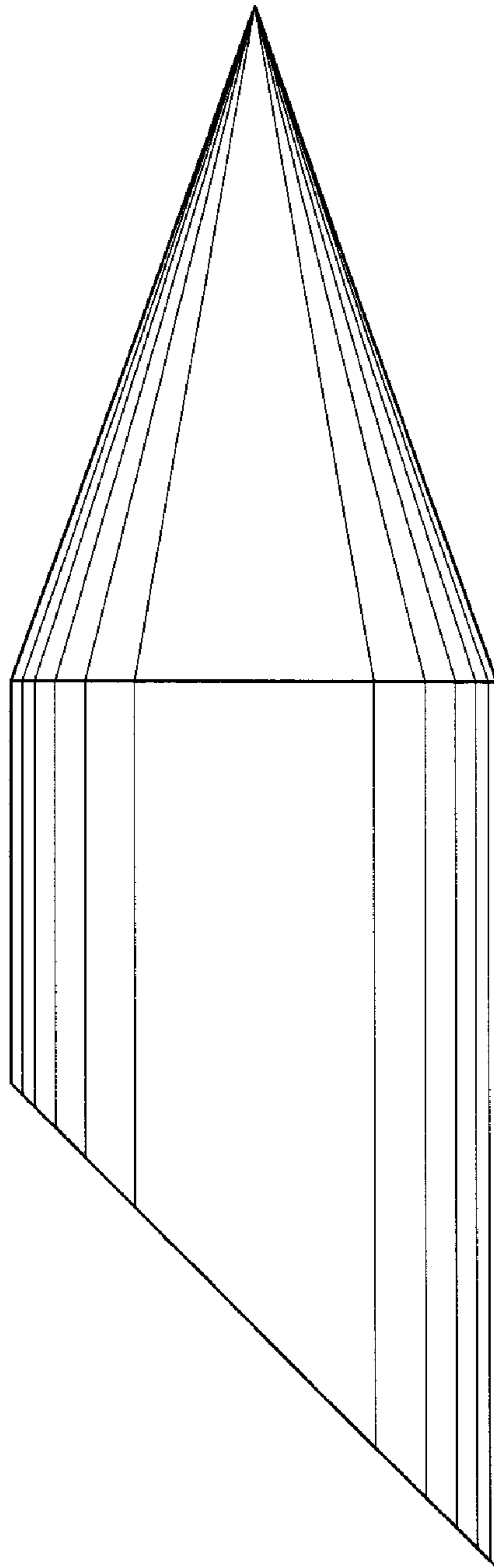


FIG 5

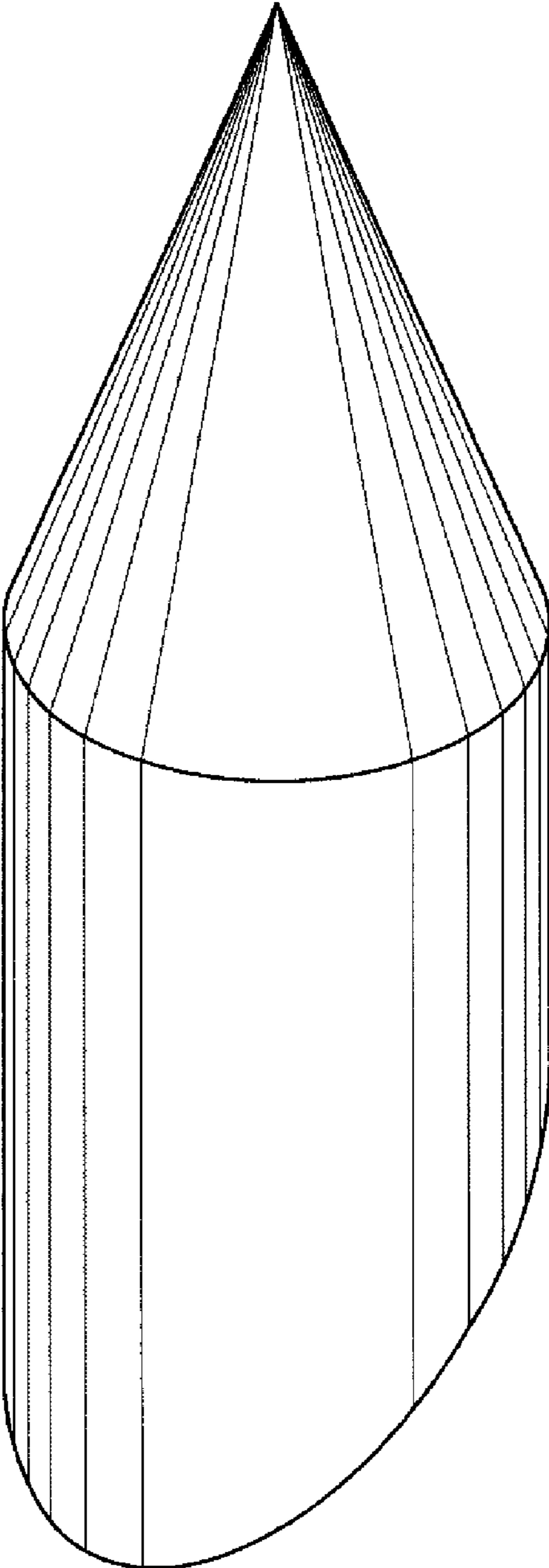


FIG 6

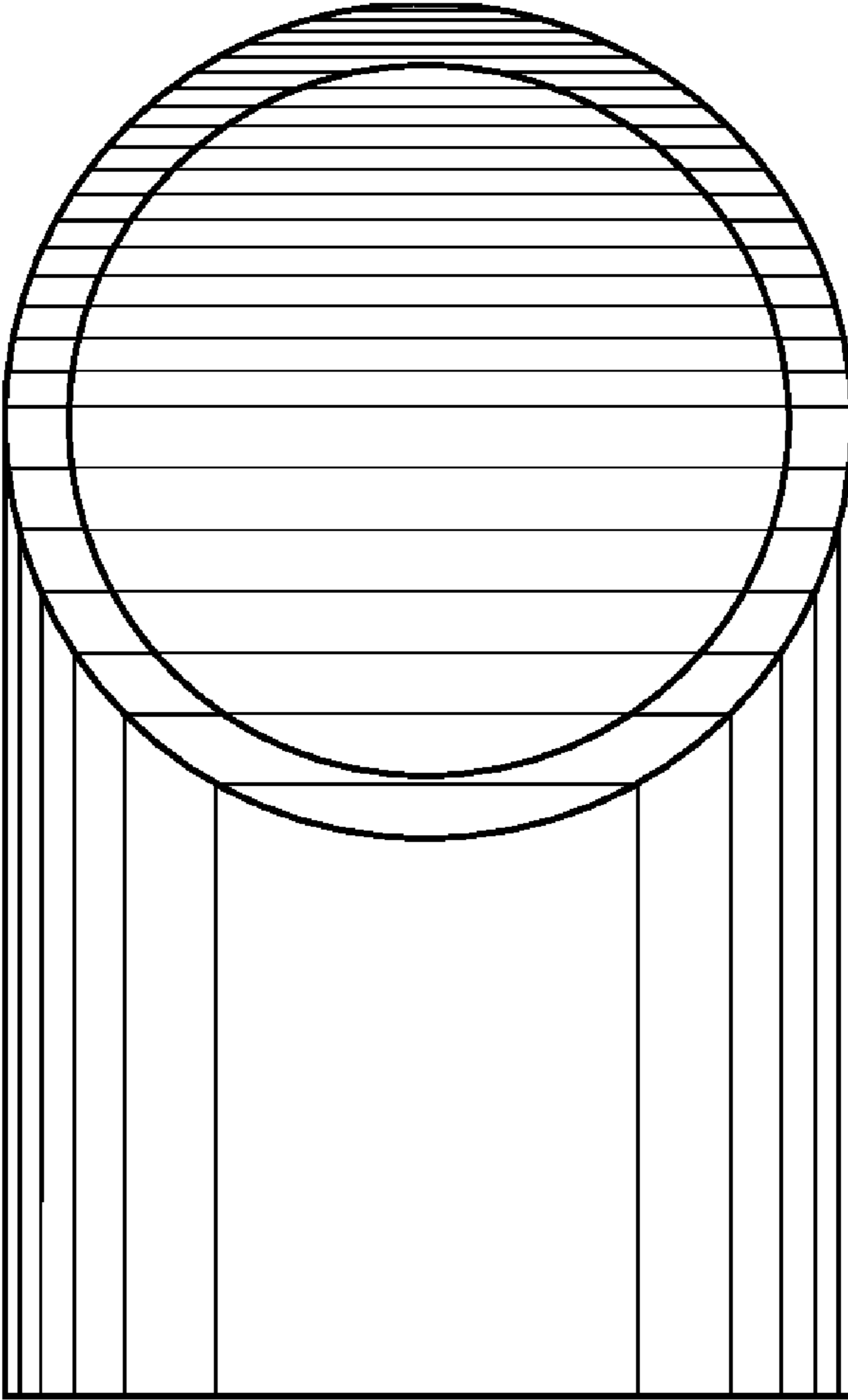


FIG. 7

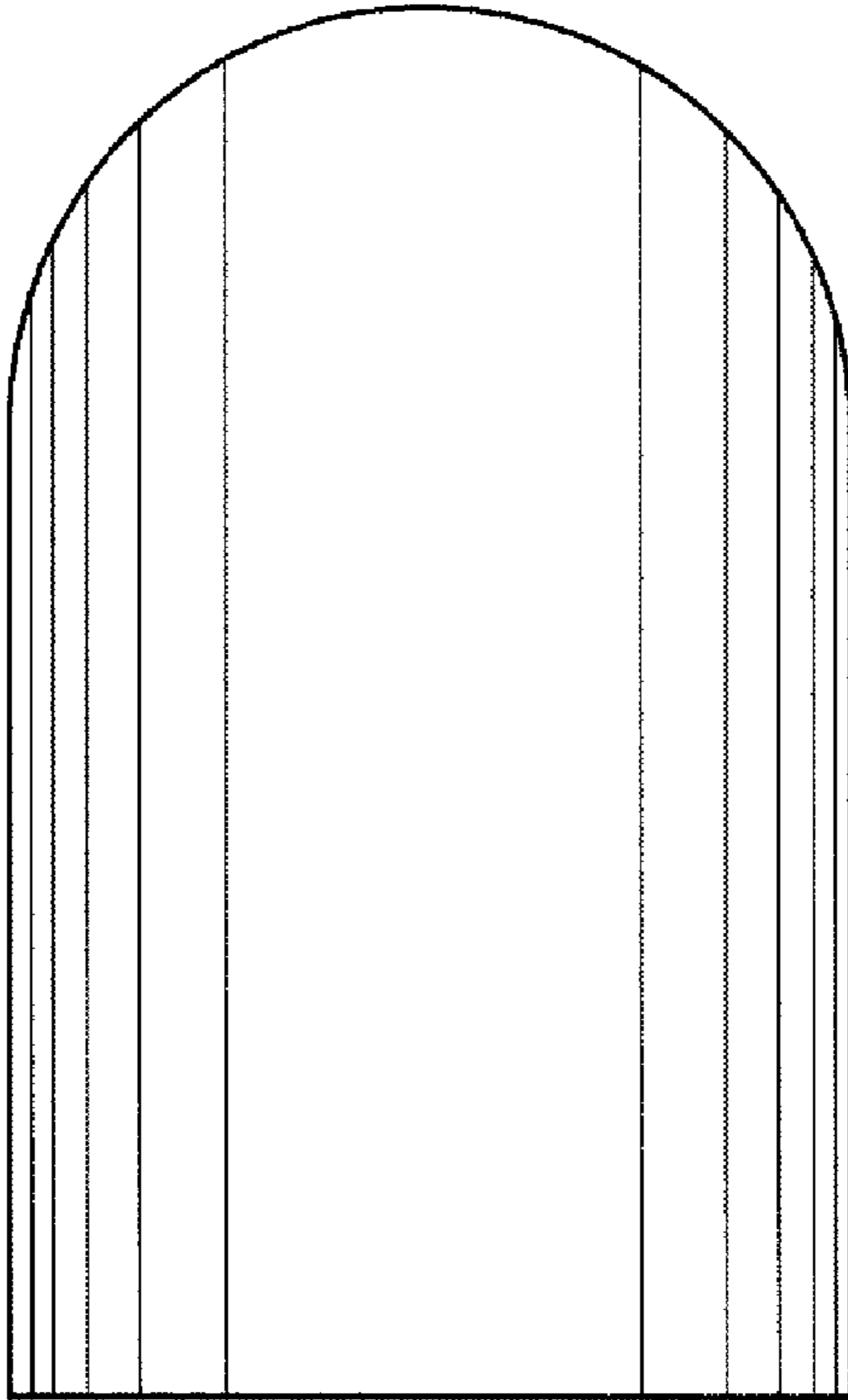


FIG. 8

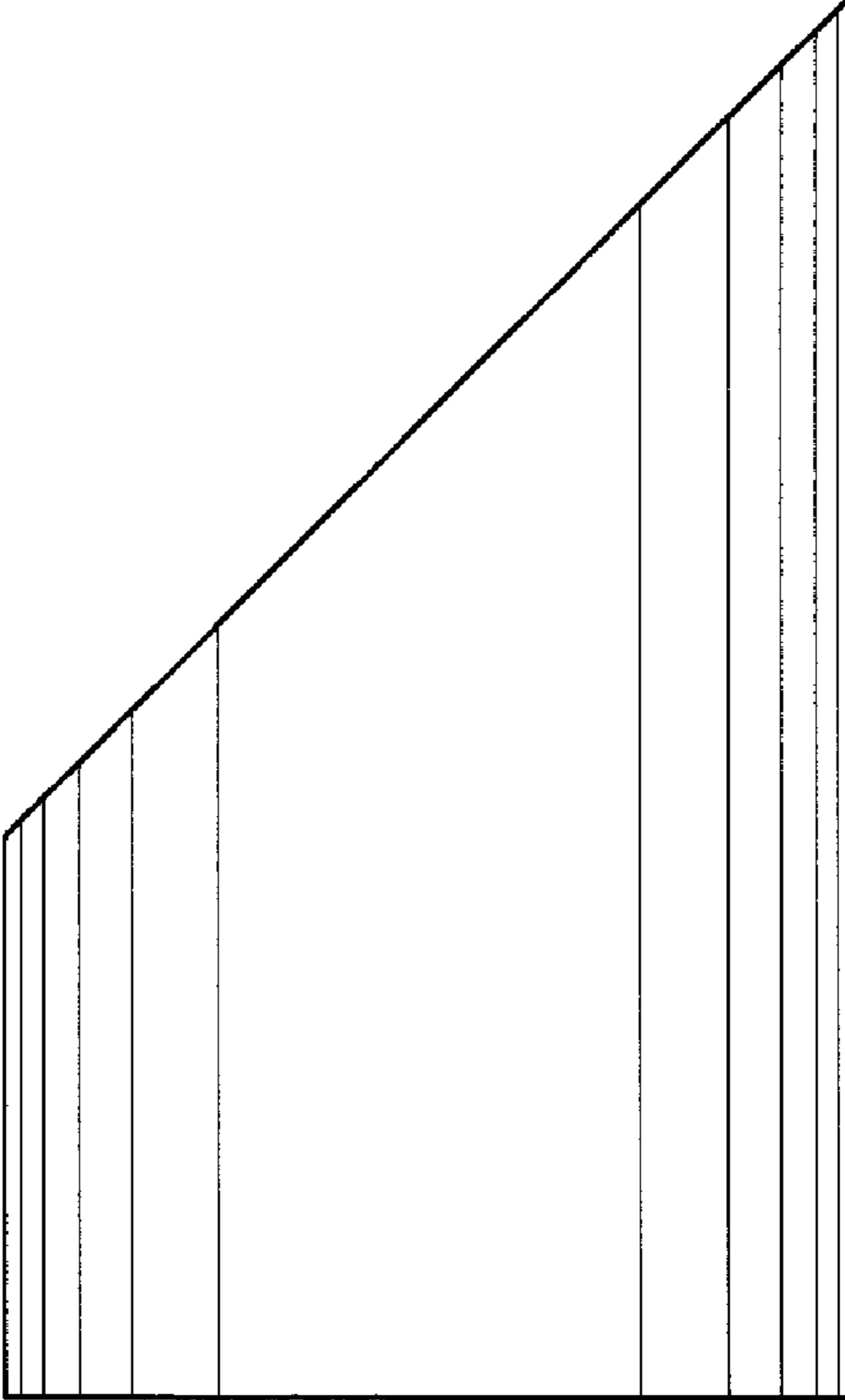


FIG. 9

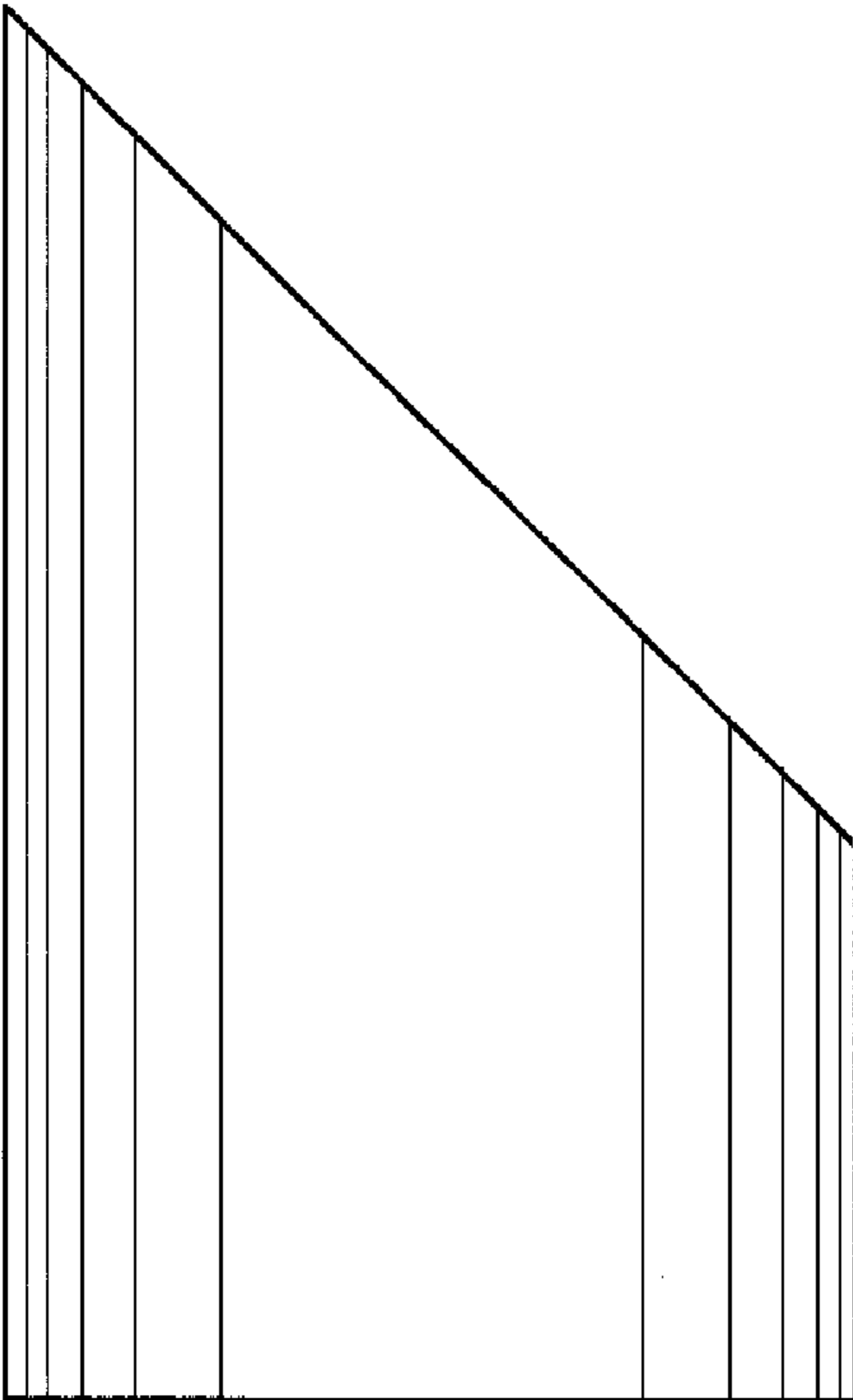


FIG 10

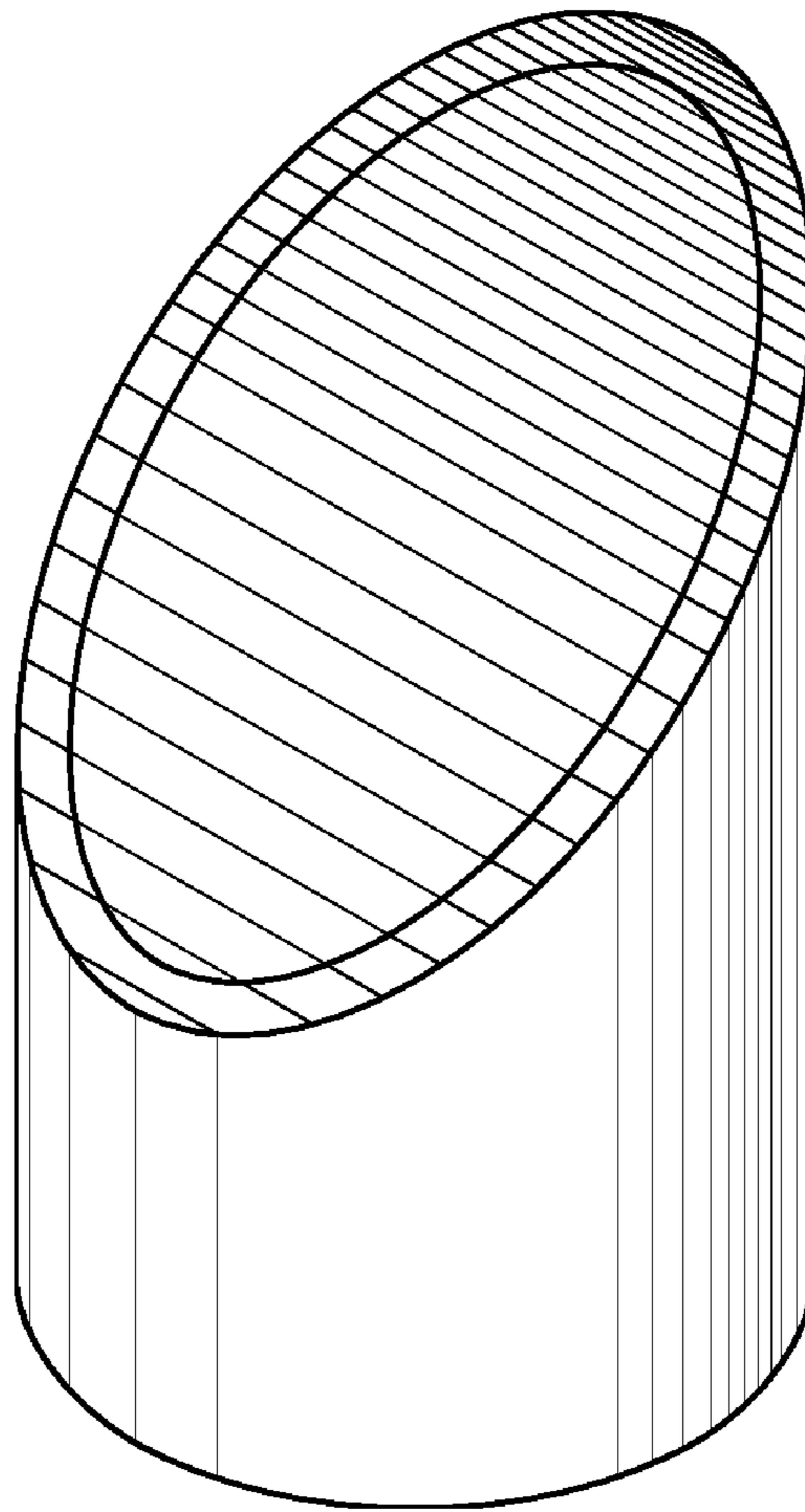


FIG. 11

