

US00D664467S

(12) **United States Design Patent**  
**Marconi**

(10) **Patent No.:** **US D664,467 S**

(45) **Date of Patent:** **\*\* Jul. 31, 2012**

(54) **ELASTOMERIC JEWELRY**

D562,175 S \* 2/2008 Miller ..... D11/35

\* cited by examiner

(76) Inventor: **Brenda J. Marconi**, Palm Harbor, FL  
(US)

*Primary Examiner* — Cathron Brooks

*Assistant Examiner* — Melanie Pellegrini

(\*\*) Term: **14 Years**

(21) Appl. No.: **29/370,850**

(57) **CLAIM**

The ornamental design for elastomeric jewelry, as shown and described.

(22) Filed: **Sep. 14, 2010**

**DESCRIPTION**

(51) **LOC (9) Cl.** ..... **11-01**

(52) **U.S. Cl.** ..... **D11/34**

(58) **Field of Classification Search** ..... D11/26-39,  
D11/3; 63/1.11, 3, 3.1, 3.2, 15, 15.1, 15.2,  
63/15.3, 15.4, 15.45, 15.5

See application file for complete search history.

FIG. 1 is a front elevational view of elastomeric jewelry showing my new design;  
FIG. 2 is a rear elevational view thereof;  
FIG. 3 is a top plan view thereof;  
FIG. 4 is a bottom plan view thereof;  
FIG. 5 is a right side elevational view thereof; and,  
FIG. 6 is a left side elevational view thereof.

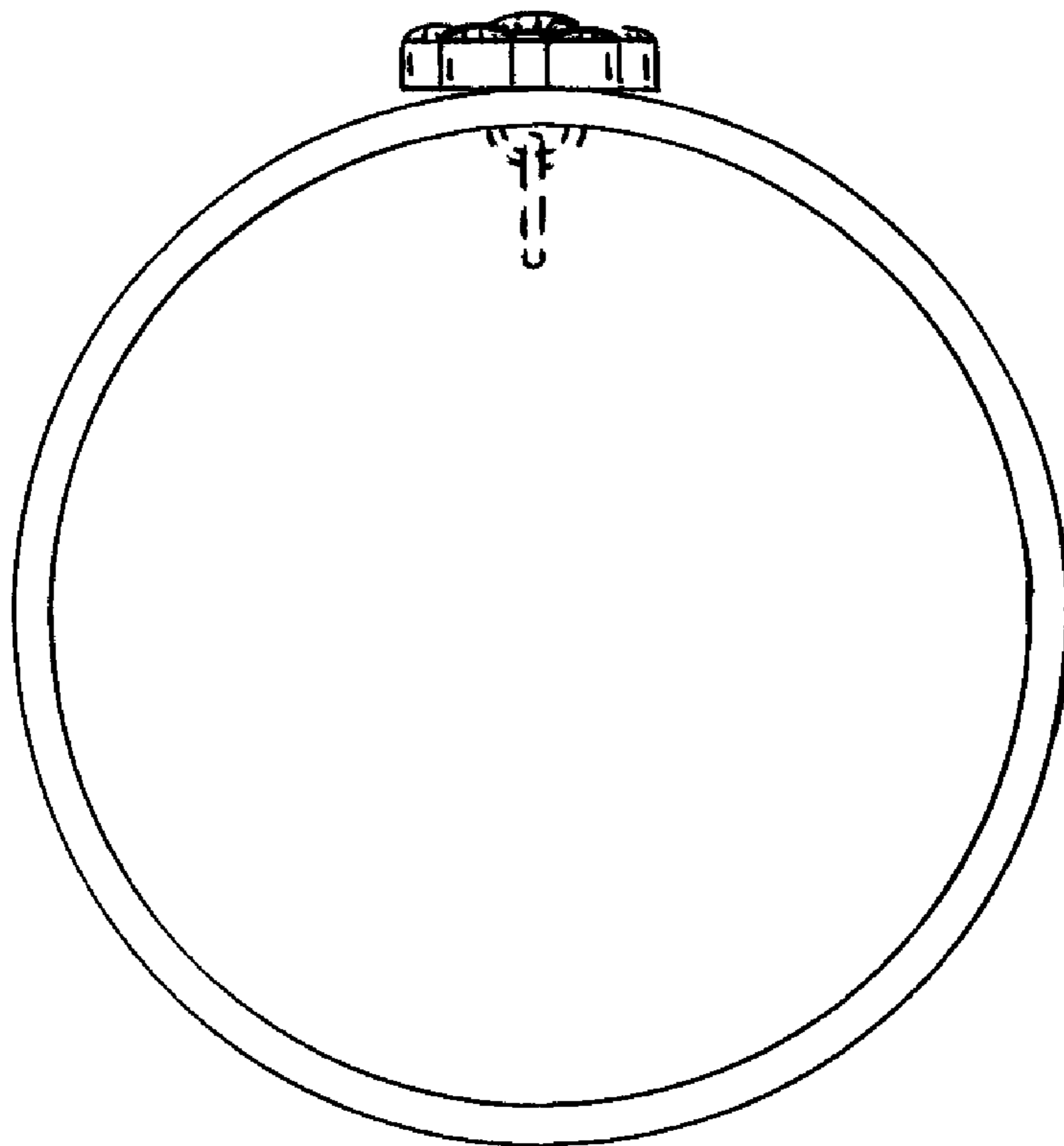
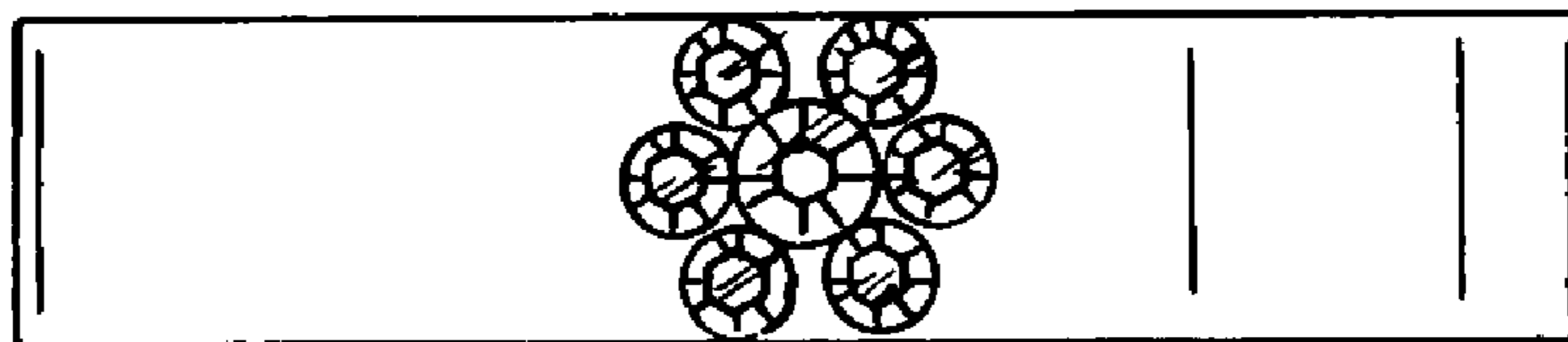
The broken lines shown in the drawings represent portions of the elastomeric jewelry that form no part of the claimed design.

(56) **References Cited**

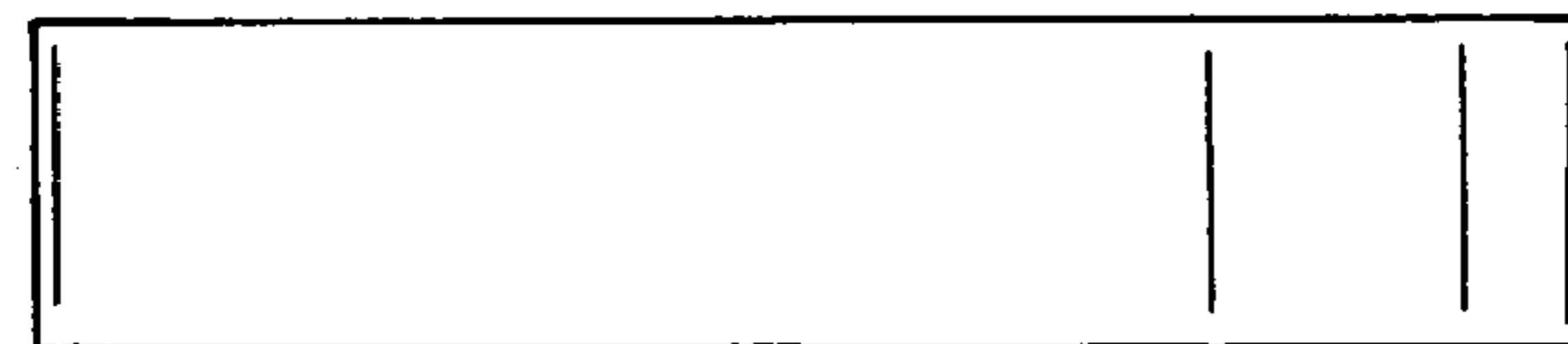
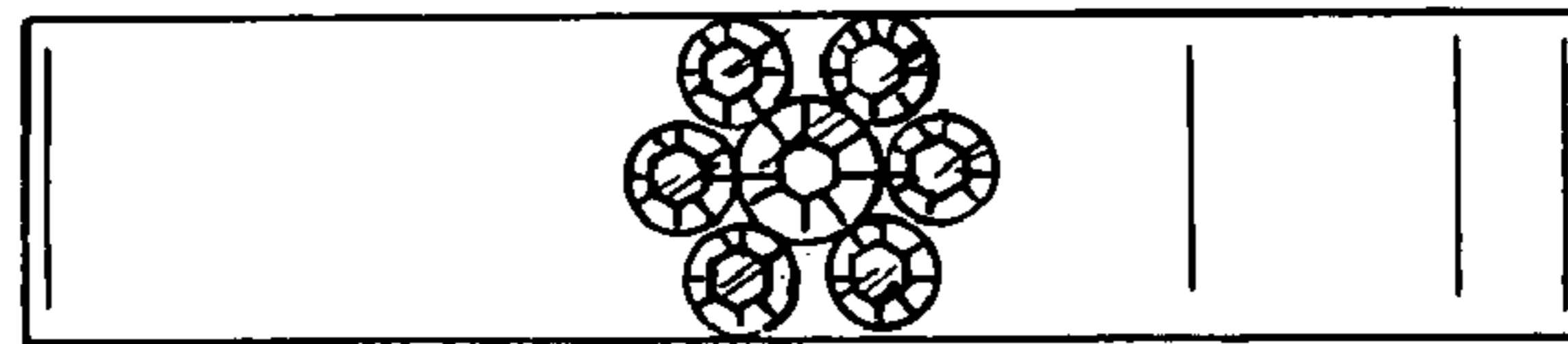
**U.S. PATENT DOCUMENTS**

D116,171 S	*	8/1939	Rodgers	.....	D11/33
D398,255 S	*	9/1998	Chang	.....	D11/26
D451,726 S	*	12/2001	Wang	.....	D11/26
D494,883 S	*	8/2004	Pachachi	.....	D11/33

**1 Claim, 3 Drawing Sheets**



*FIG. 1*



*FIG. 2*

FIG. 3

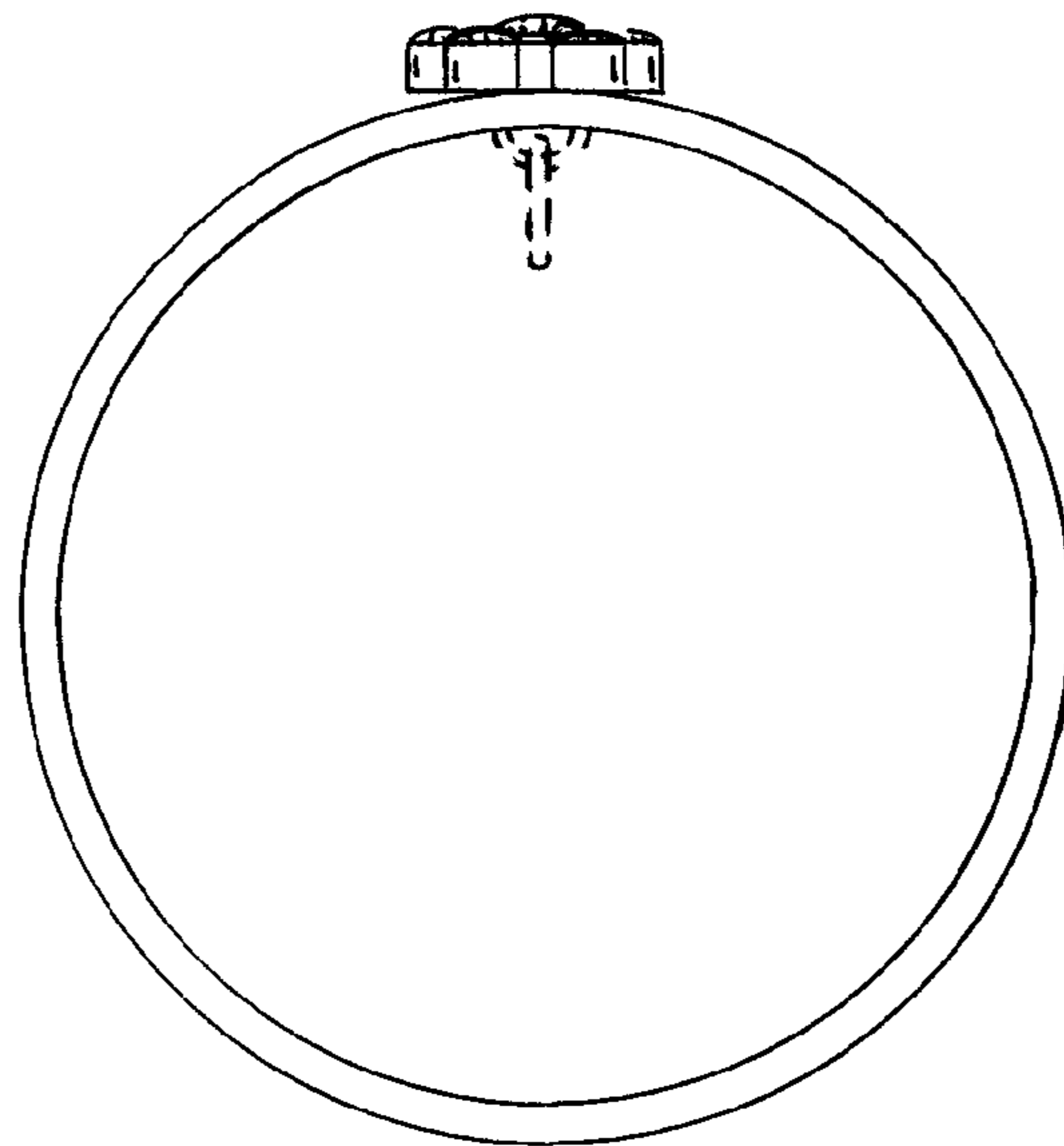
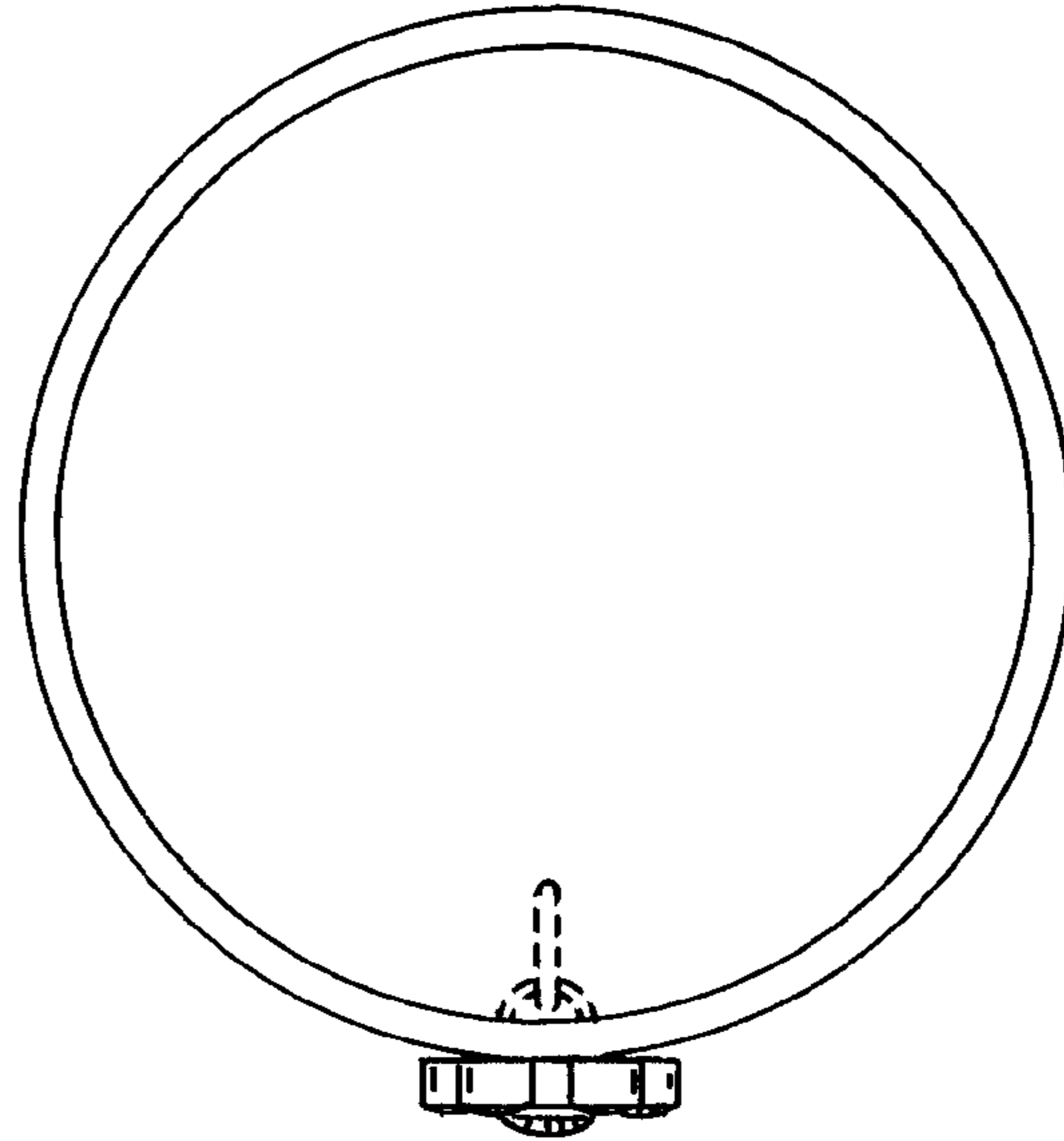


FIG. 4

FIG. 5

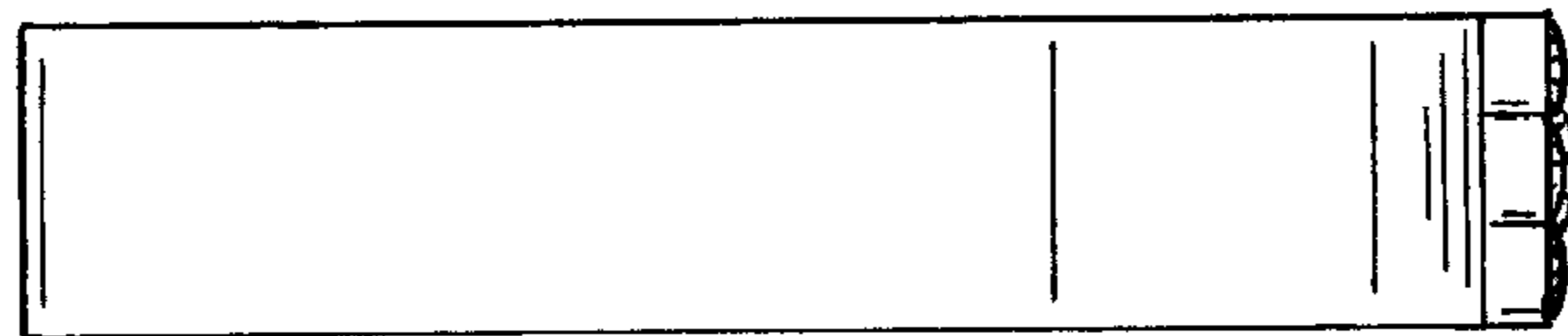


FIG. 6