



US00D664462S

(12) **United States Design Patent**  
**Varieur**

(10) **Patent No.:** **US D664,462 S**  
(45) **Date of Patent:** **\*\* Jul. 31, 2012**

(54) **PULL STATION ACTUATOR**

(75) Inventor: **Steven T. Varieur**, Winchendon, MA  
(US)

(73) Assignee: **SimplexGrinnell LP**, Westminster, MA  
(US)

(\*\*) Term: **14 Years**

(21) Appl. No.: **29/394,549**

(22) Filed: **Jun. 17, 2011**

**Related U.S. Application Data**

(63) Continuation of application No. 13/074,994, filed on  
Mar. 29, 2011.

(51) **LOC (9) Cl.** ..... **10-05**

(52) **U.S. Cl.** ..... **D10/106.95**

(58) **Field of Classification Search** ..... D10/106.1,  
D10/106.95; D13/158, 168; 340/562, 287,  
340/297, 302, 299, 540, 545, 346, 547, 565-566  
See application file for complete search history.

(56) **References Cited**

**U.S. PATENT DOCUMENTS**

4,551,707 A \* 11/1985 Simpson ..... 340/287  
D428,351 S \* 7/2000 Hohlfelder ..... D10/106.1  
6,380,846 B1 \* 4/2002 Hohlfelder ..... 340/286.05

6,632,108 B1 \* 10/2003 Hohlfelder ..... 439/709  
D561,057 S \* 2/2008 Jones ..... D10/106.1  
D566,599 S \* 4/2008 Jones ..... D10/106.1  
D566,600 S \* 4/2008 Jones ..... D10/106.1  
D566,601 S \* 4/2008 Jones ..... D10/106.1  
7,408,477 B2 \* 8/2008 Finkle et al. .... 340/693.5

\* cited by examiner

*Primary Examiner* — George D Kirschbaum

(74) *Attorney, Agent, or Firm* — Kacvinsky Daisak PLLC

(57) **CLAIM**

I claim the ornamental design for a pull station actuator,  
substantially as shown and described.

**DESCRIPTION**

FIG. 1 is a perspective view of my new design in the unacti-  
vated position;

FIG. 2 is a front view of the design of FIG. 1;

FIG. 3 is a right side view of the design of FIG. 1;

FIG. 4 is a left side view of the design of FIG. 1;

FIG. 5 is a top plan view of the design of FIG. 1;

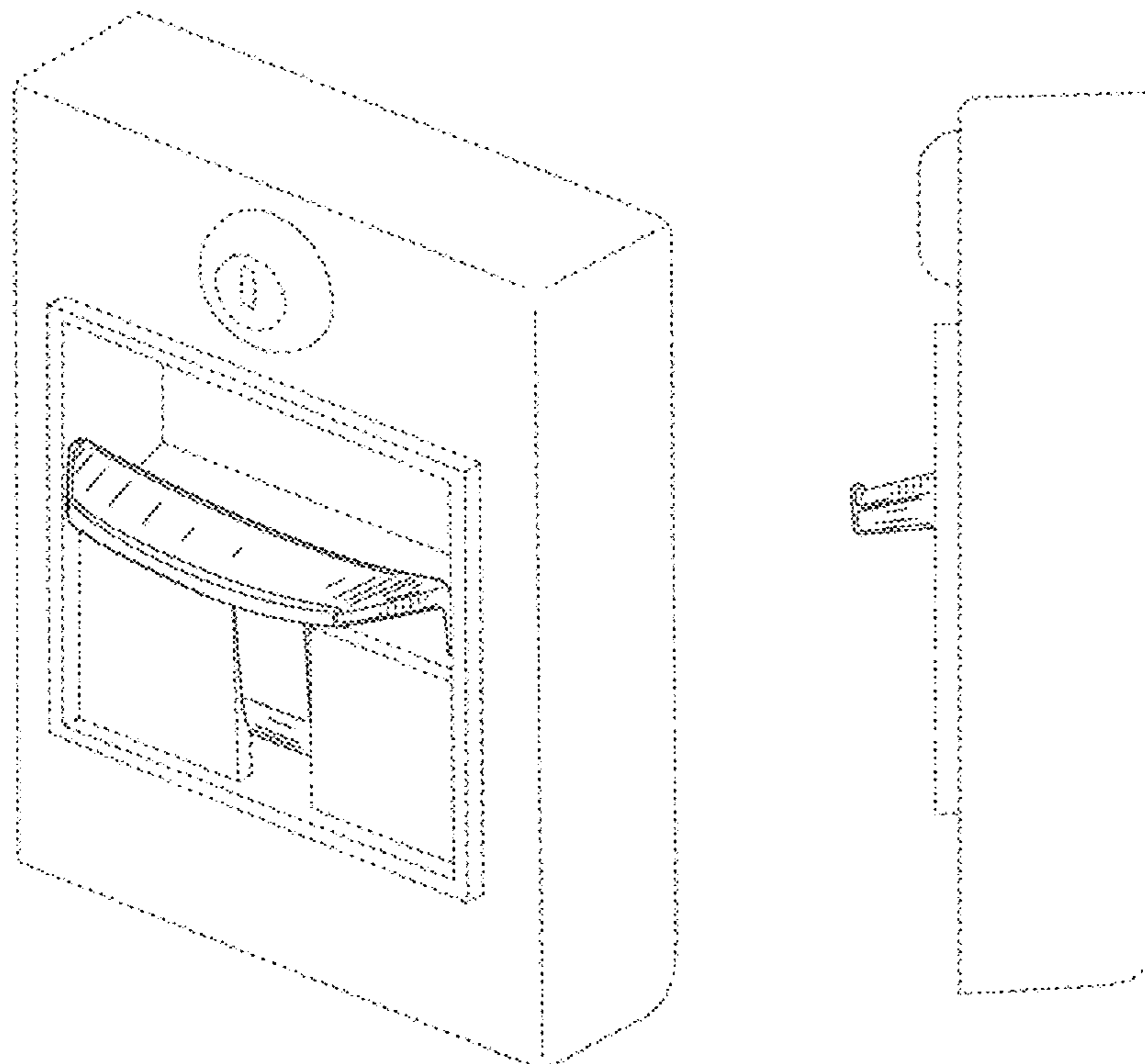
FIG. 6 is a bottom plan view of the design of FIG. 1;

FIG. 7 is a back view of the design of FIG. 1; and,

FIG. 8 is a perspective view of the design of FIG. 1 in the  
activated position.

The broken line showing of portions of the body of the design  
is included for the purpose of illustrating portions of the  
“article” and forms no part of the claimed design.

**1 Claim, 8 Drawing Sheets**



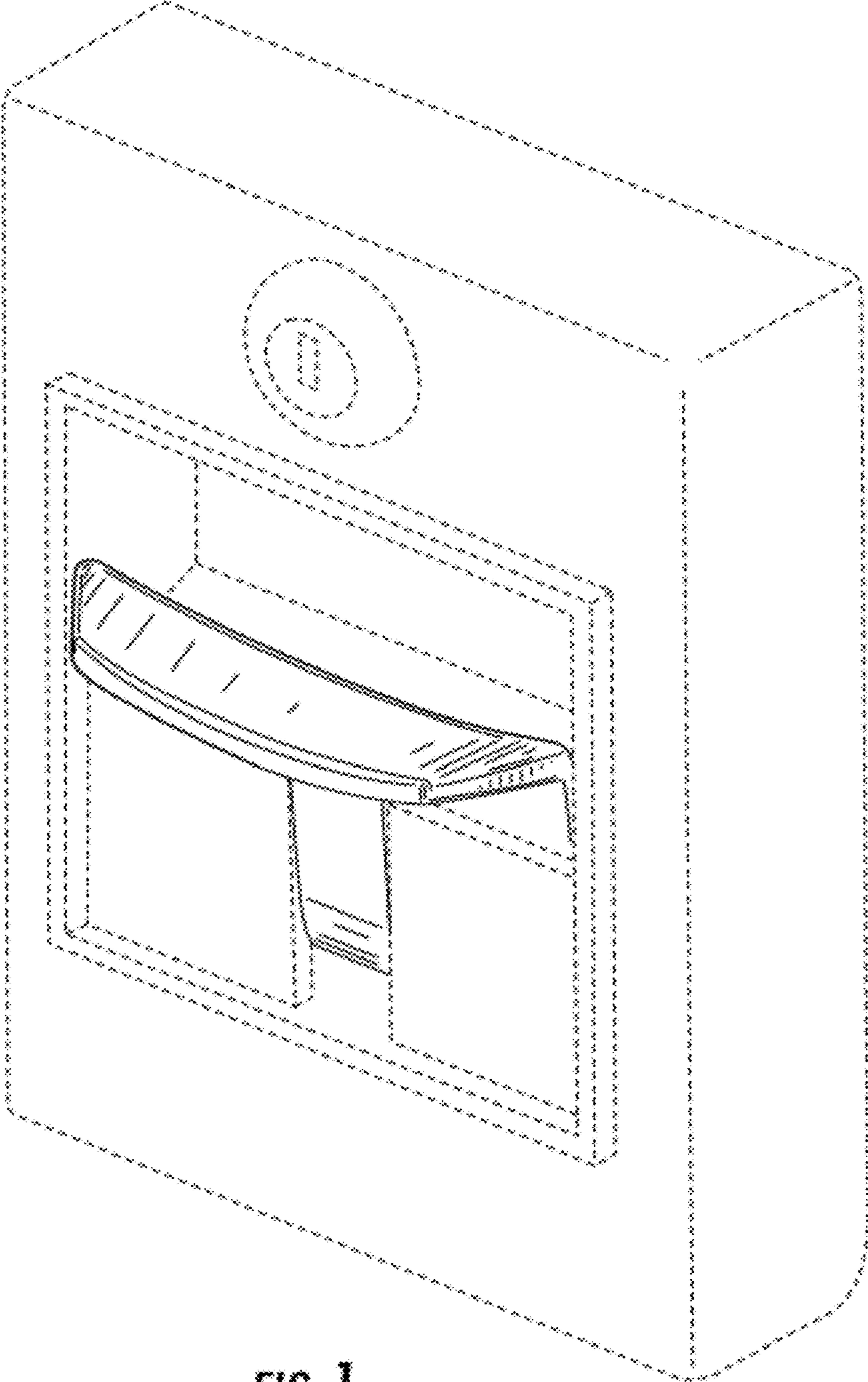


FIG. 1

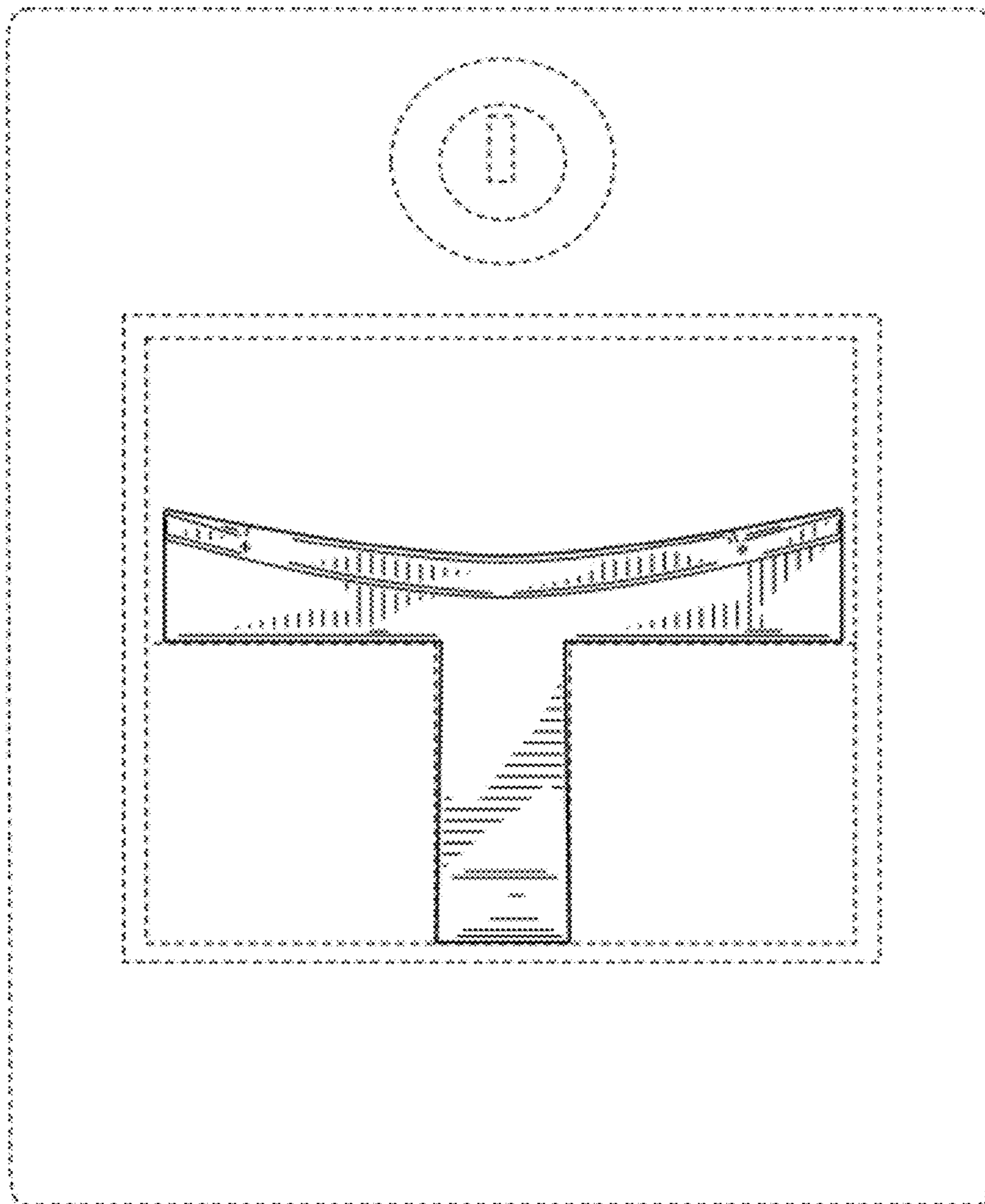
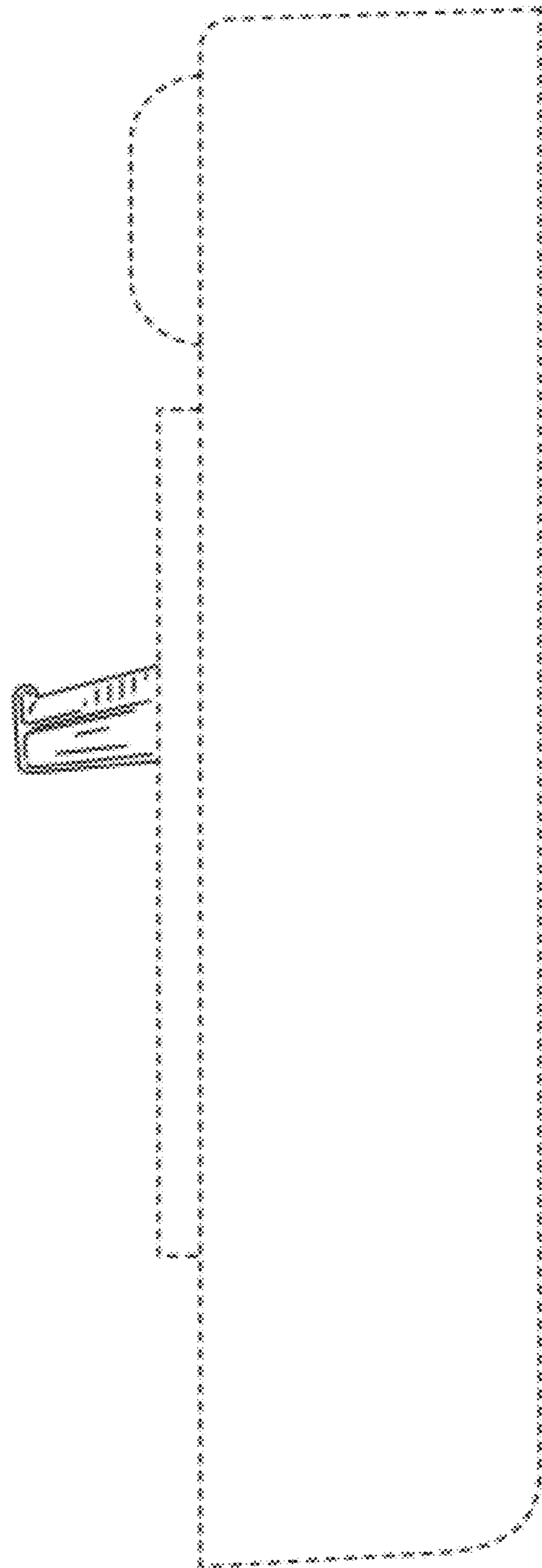


FIG. 2



**FIG. 3**

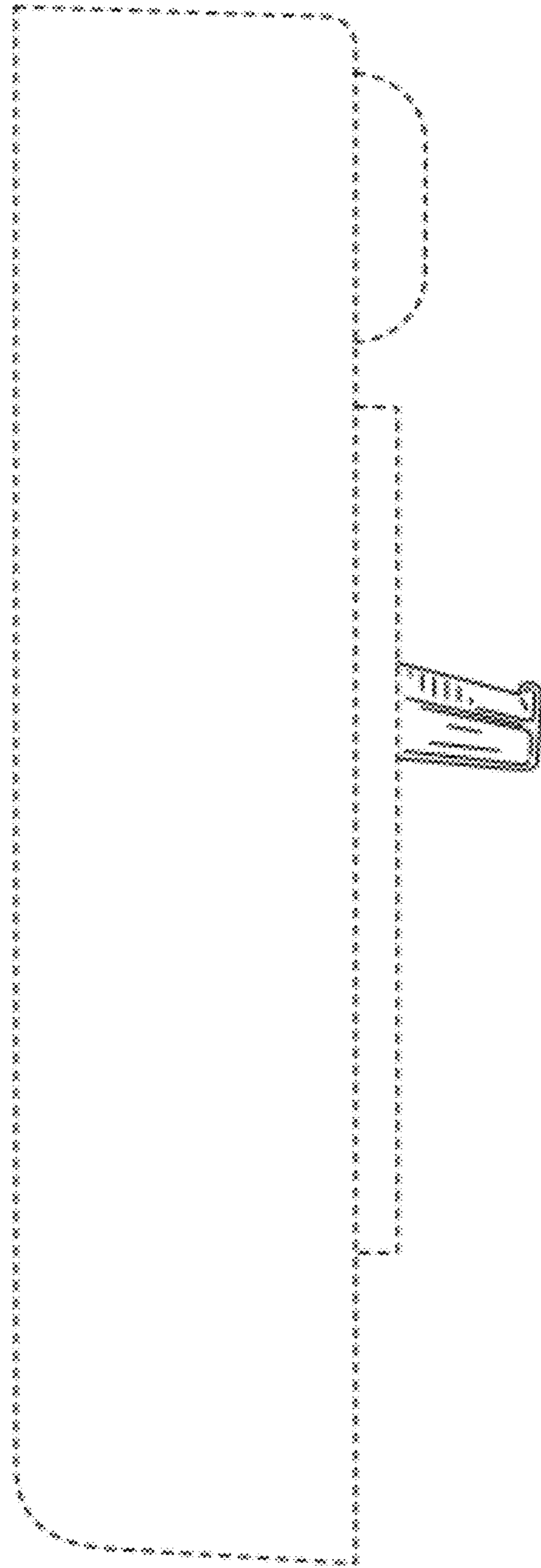


FIG. 4

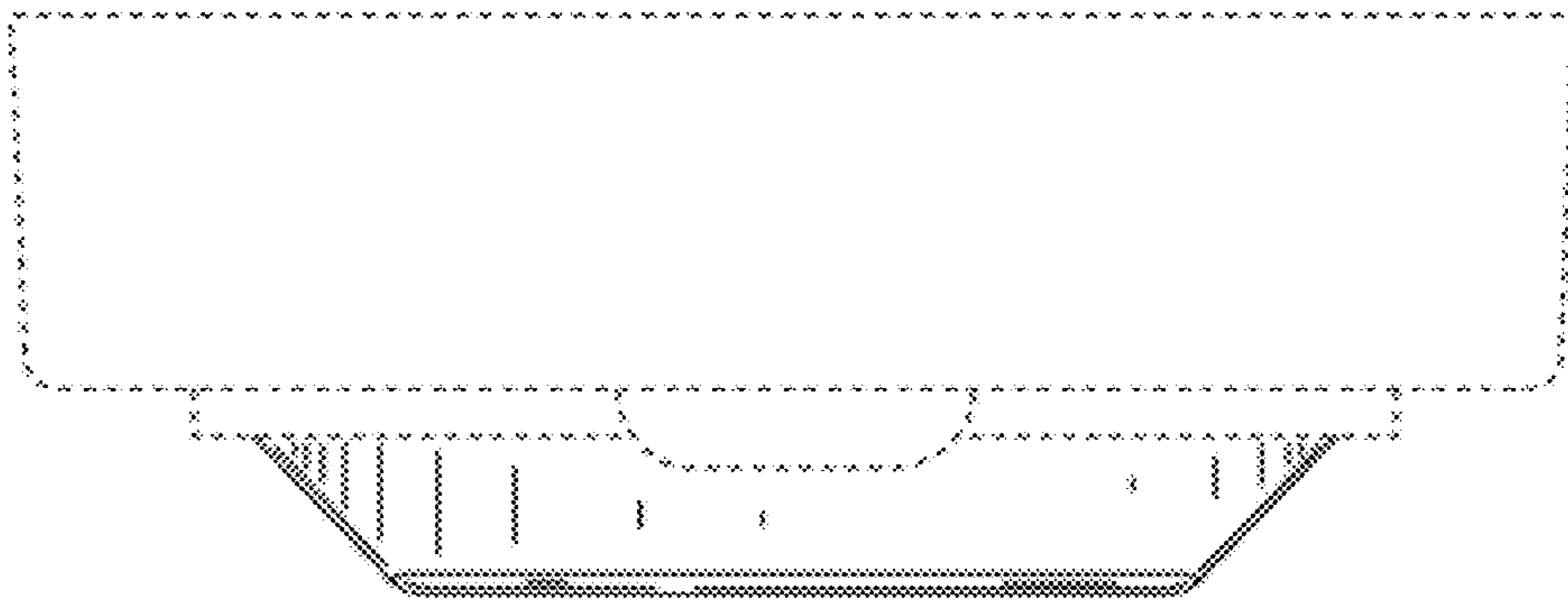


FIG. 5



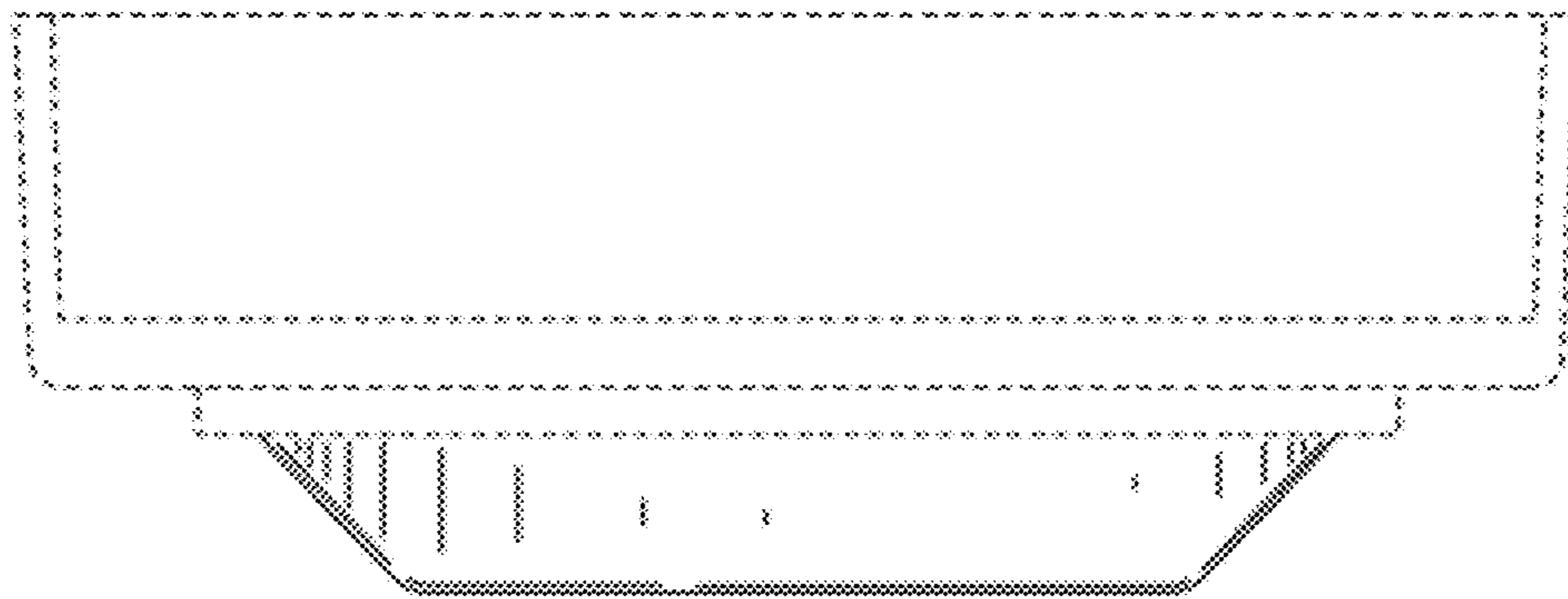
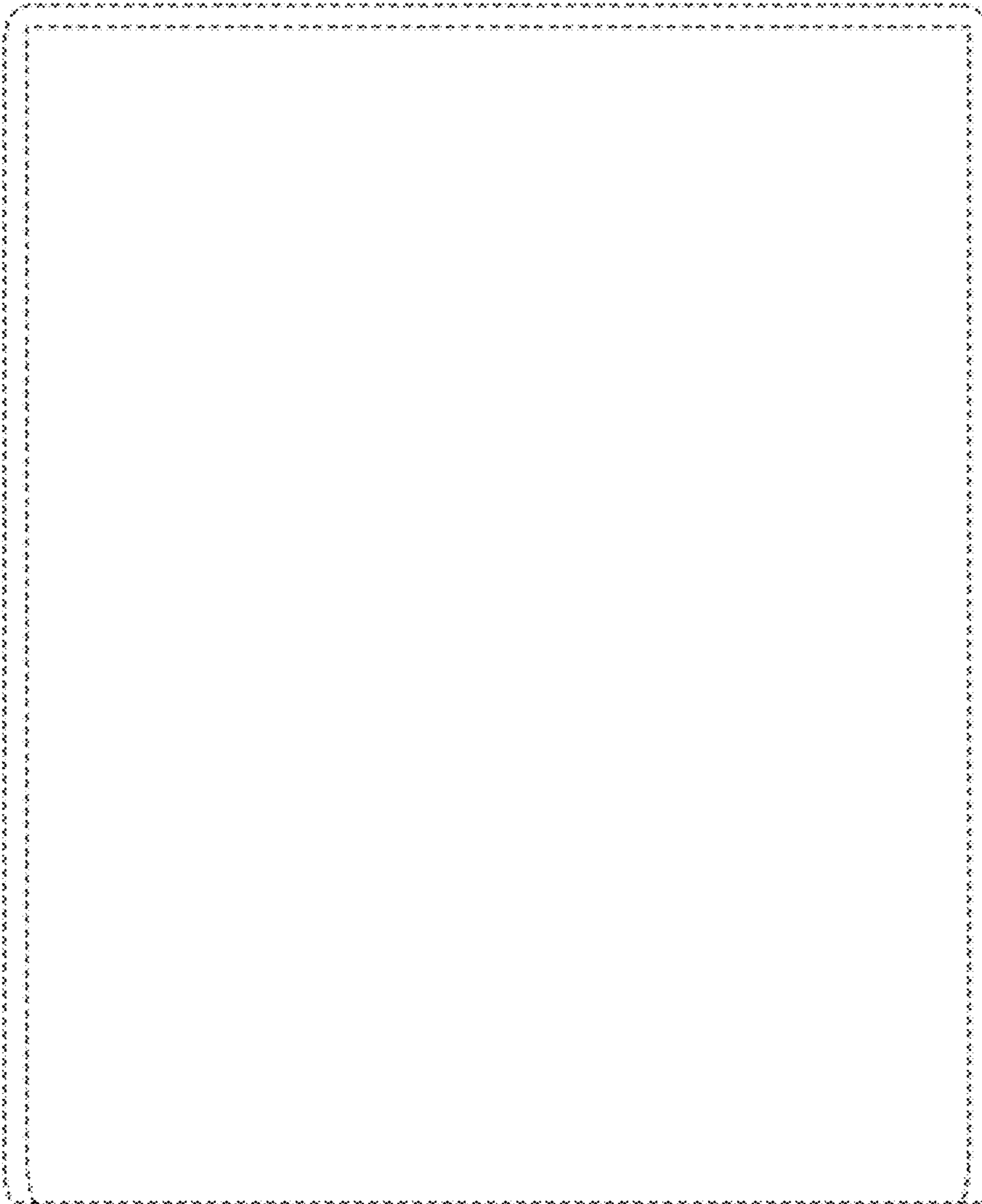


FIG. 6



**FIG. 7**



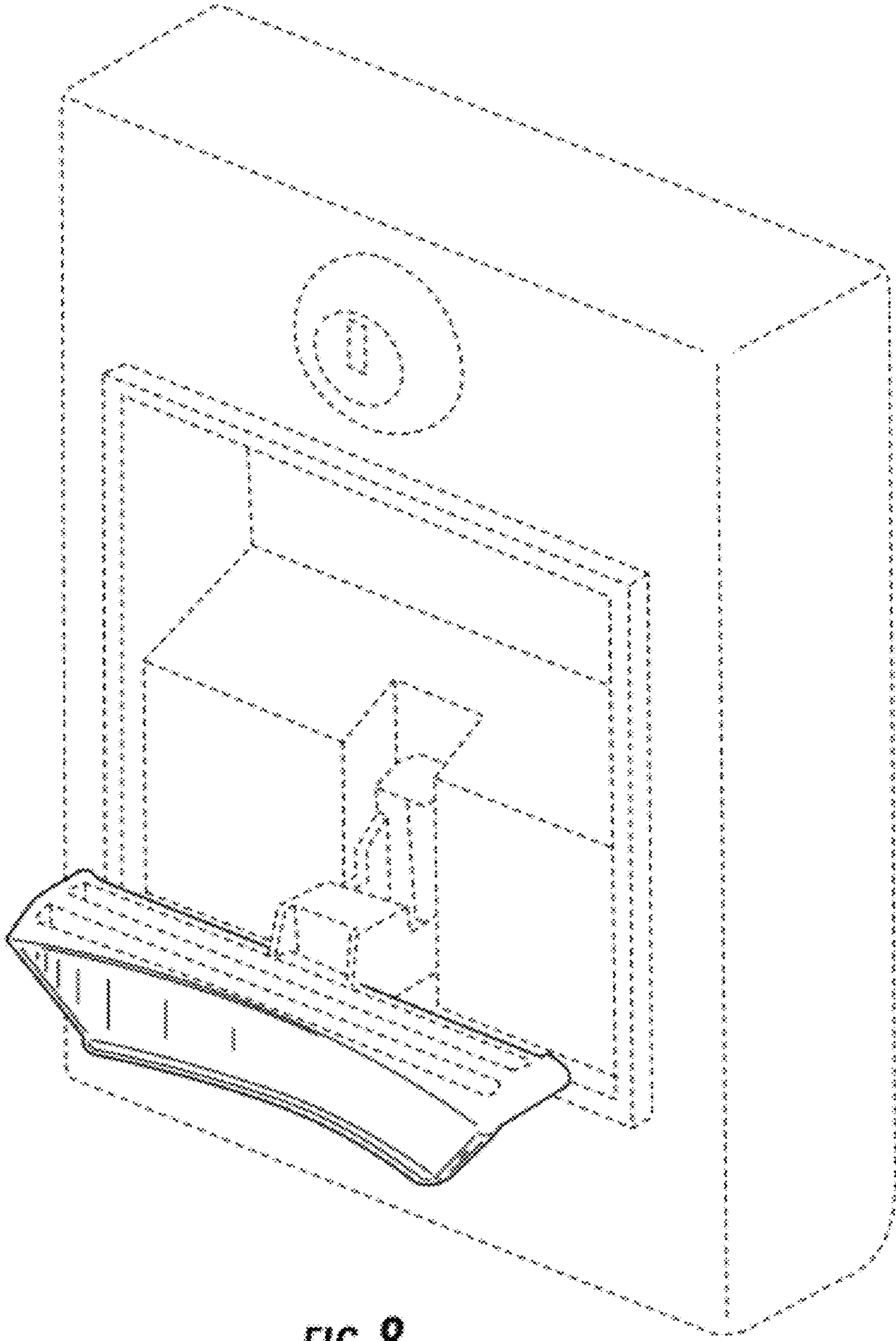


FIG. 8