



US00D664460S

(12) **United States Design Patent**
Aurongzeb et al.

(10) **Patent No.:** **US D664,460 S**
(45) **Date of Patent:** **** Jul. 31, 2012**

(54) **MULTIMODE SENSOR**

(75) Inventors: **Deeder Aurongzeb**, Mayfield Heights, OH (US); **Josip Brnada**, Willoughby, OH (US)

(73) Assignee: **General Electric Company**, Schenectady, NY (US)

(**) Term: **14 Years**

(21) Appl. No.: **29/402,499**

(22) Filed: **Sep. 23, 2011**

(51) **LOC (9) Cl.** **10-05**

(52) **U.S. Cl.** **D10/106.6**

(58) **Field of Classification Search** ... D10/106.6-106.8, D10/104.1, 70; D13/158, 134, 125; 340/628, 340/584, 693.5; 361/748; D26/72; D16/203
See application file for complete search history.

(56) **References Cited**

U.S. PATENT DOCUMENTS

D222,500 S *	10/1971	Gugelot et al.	D26/37
D236,443 S *	8/1975	Schroeder	D10/106.1
3,916,097 A *	10/1975	Imai	348/151
D241,824 S *	10/1976	Mackay	D10/106.5
D343,250 S *	1/1994	Fouke et al.	D26/88
D424,086 S *	5/2000	Choi	D16/203
D453,350 S *	2/2002	Fenton et al.	D16/203
D516,043 S	2/2006	Jacoby et al.		
D551,795 S *	9/2007	Compton et al.	D26/89
D561,925 S *	2/2008	Levine	D26/72
D565,512 S	4/2008	Hormann		
D566,698 S	4/2008	Choi et al.		
D593,510 S	6/2009	Chen		
D602,388 S	10/2009	Killo et al.		
D613,218 S	4/2010	Huang		

D617,743 S 6/2010 Arosio
D631,770 S 2/2011 Killo et al.

* cited by examiner

Primary Examiner — Caron D Veynar

Assistant Examiner — George D Kirschbaum

(74) *Attorney, Agent, or Firm* — Pearne & Gordon LLP

(57) **CLAIM**

The ornamental design for a multimode sensor, as shown and described.

DESCRIPTION

FIG. 1 is an upper perspective view of a first embodiment of the sensor, the following FIGS. 2-7 also describing the first embodiment;

FIG. 2 is a lower perspective view of the sensor;

FIG. 3 is a front view of the sensor;

FIG. 4 is a left side view of the sensor, the right side view being a mirror image thereof;

FIG. 5 is a rear view of the sensor;

FIG. 6 is a top plan view of the sensor; and

FIG. 7 is a bottom plan view of the sensor.

FIG. 8 is an upper perspective view of a second embodiment of the sensor, the following FIGS. 9-14 also describing the second embodiment;

FIG. 9 is a lower perspective view of the sensor;

FIG. 10 is a front view of the sensor;

FIG. 11 is a left side view of the sensor, the right side view being a mirror image thereof;

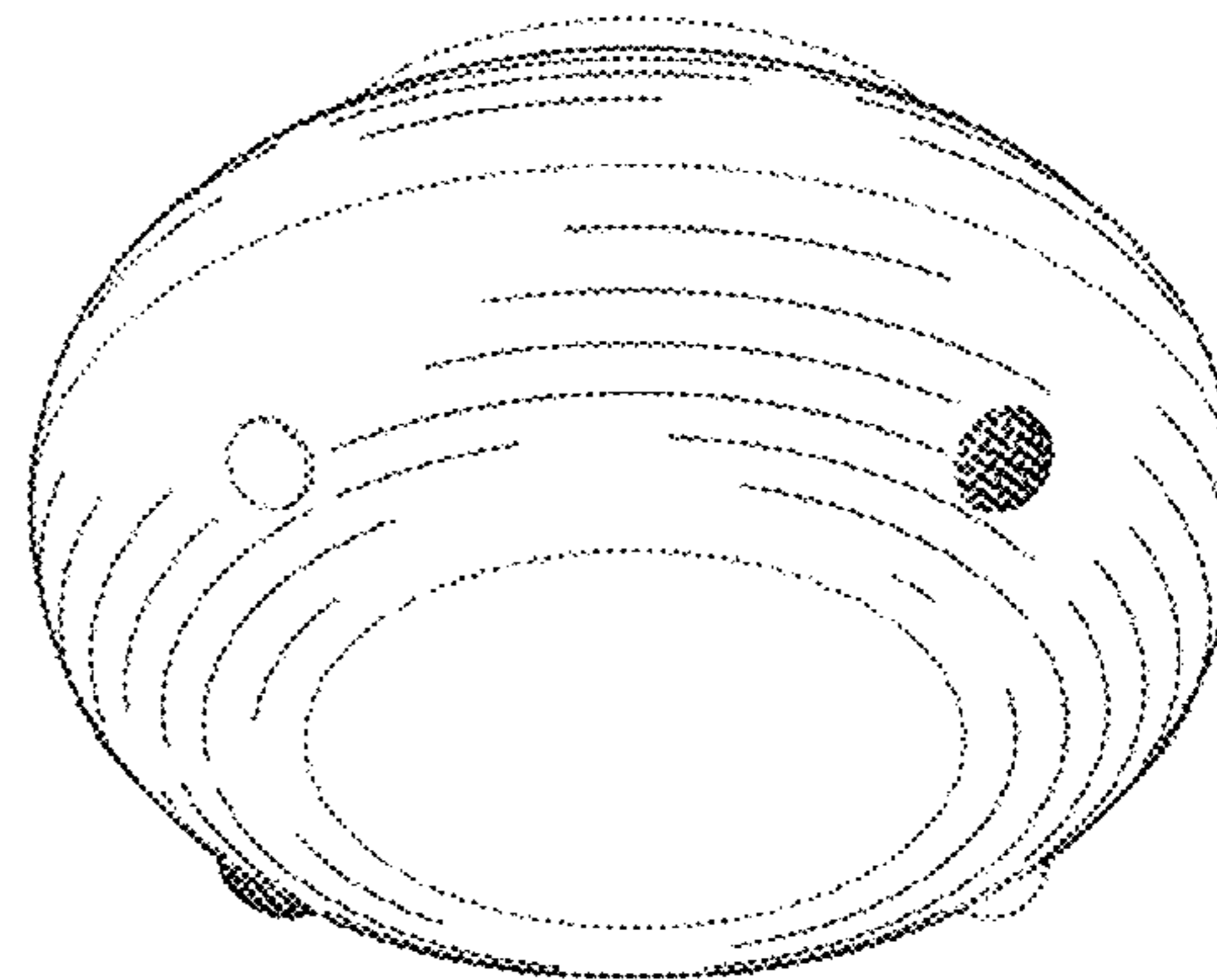
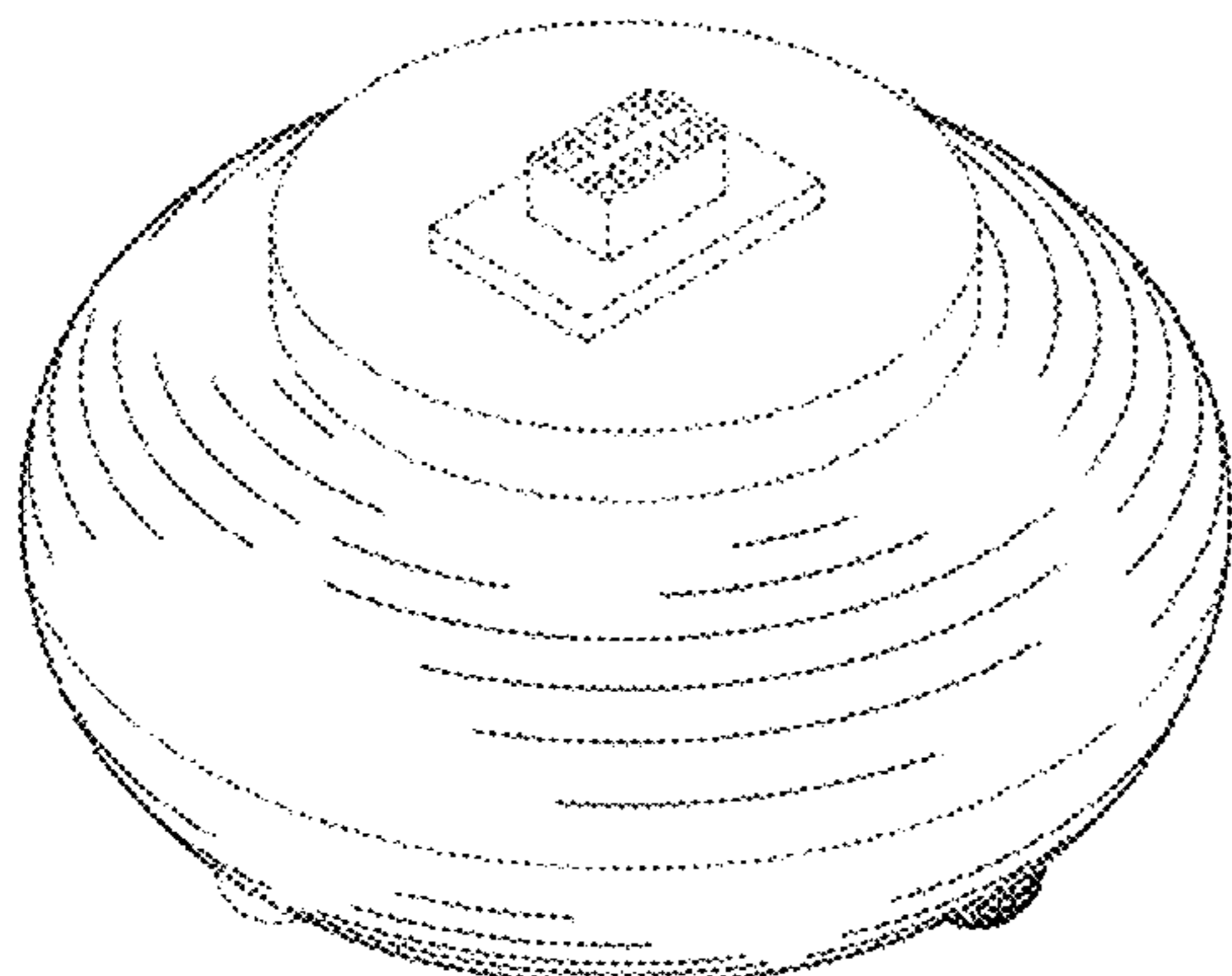
FIG. 12 is a rear view of the sensor;

FIG. 13 is a top plan view of the sensor; and,

FIG. 14 is a bottom plan view of the sensor.

The broken lines on the drawings depict portions of the sensor that form no part of the claimed design.

1 Claim, 8 Drawing Sheets



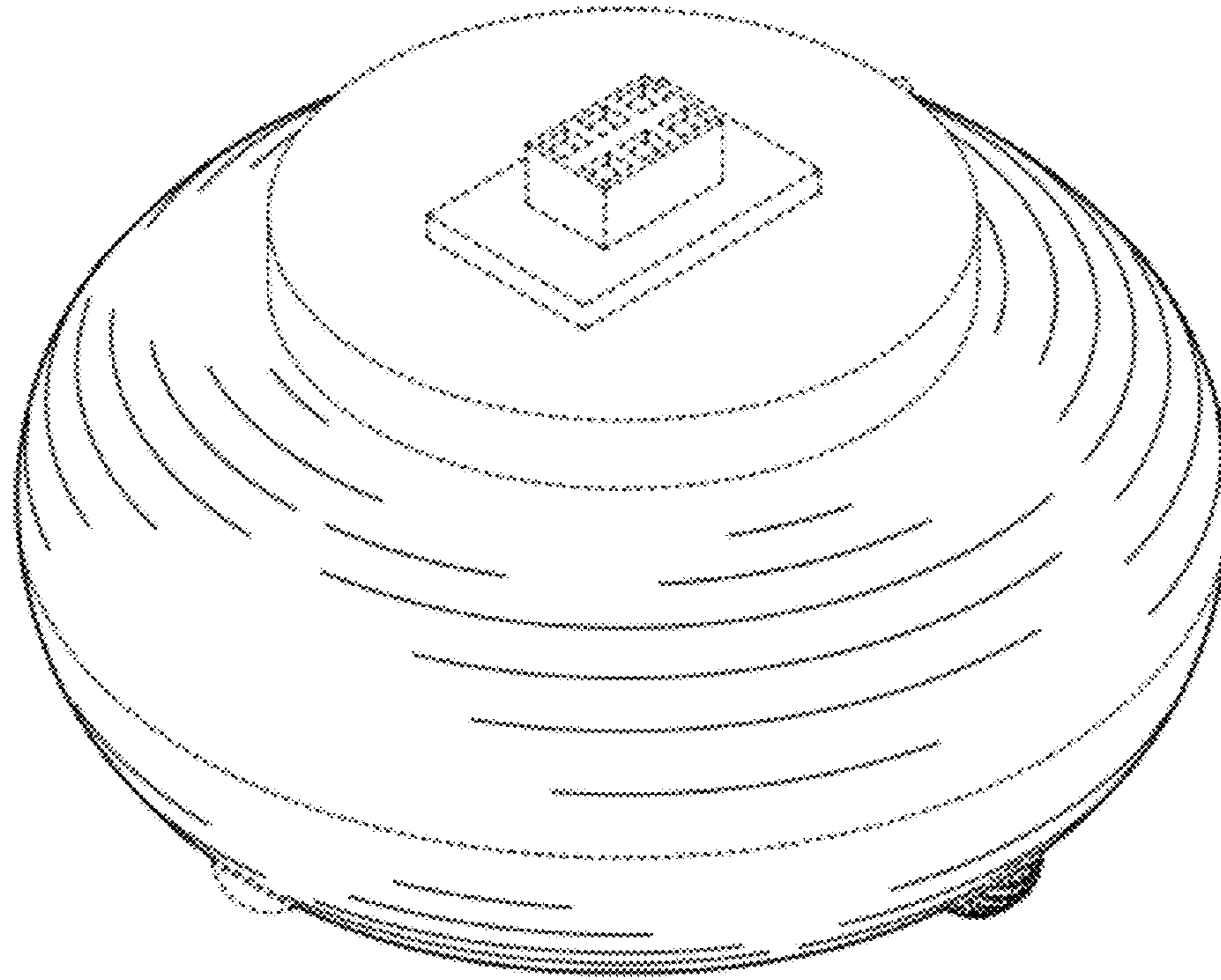


Fig. 1

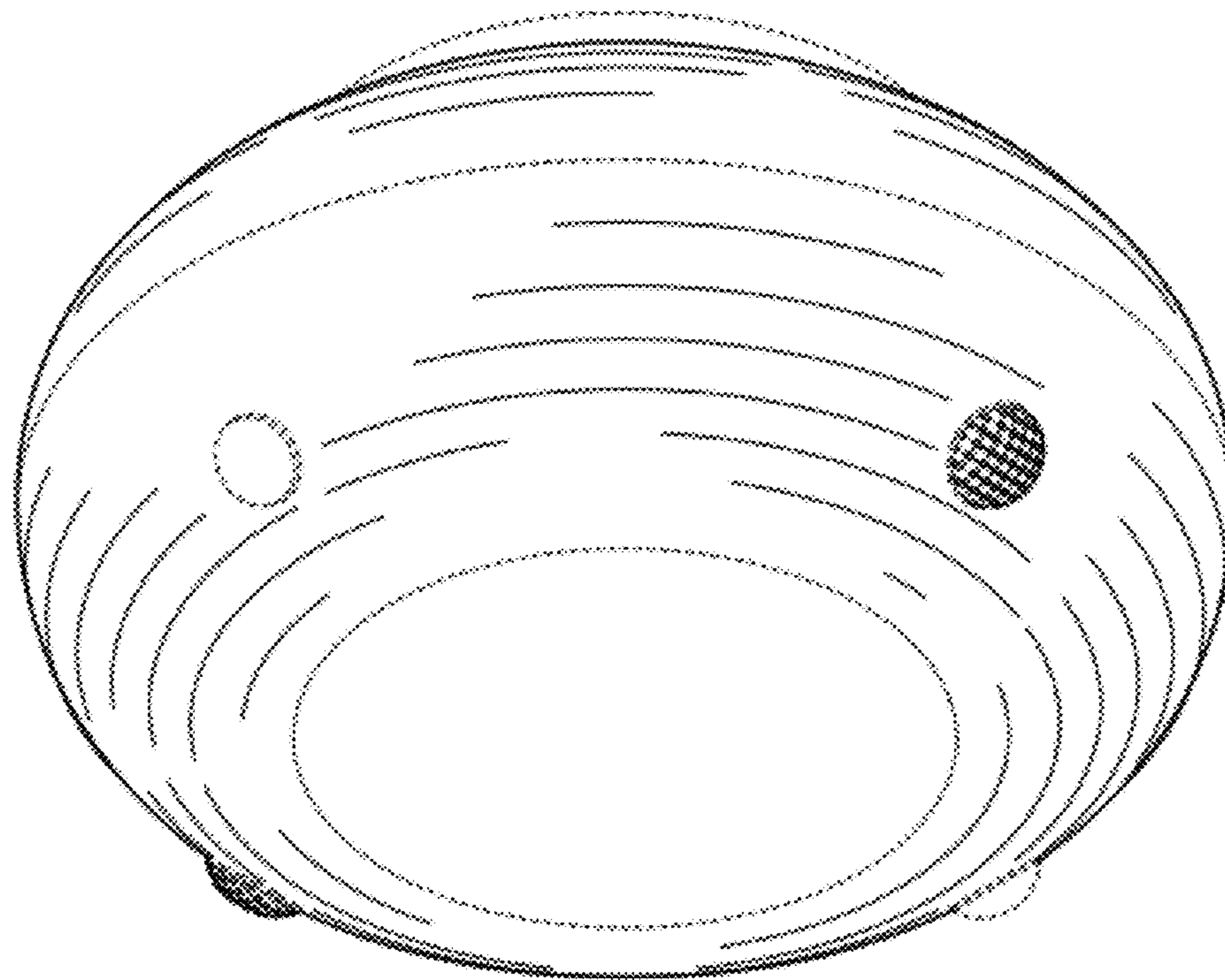


Fig. 2

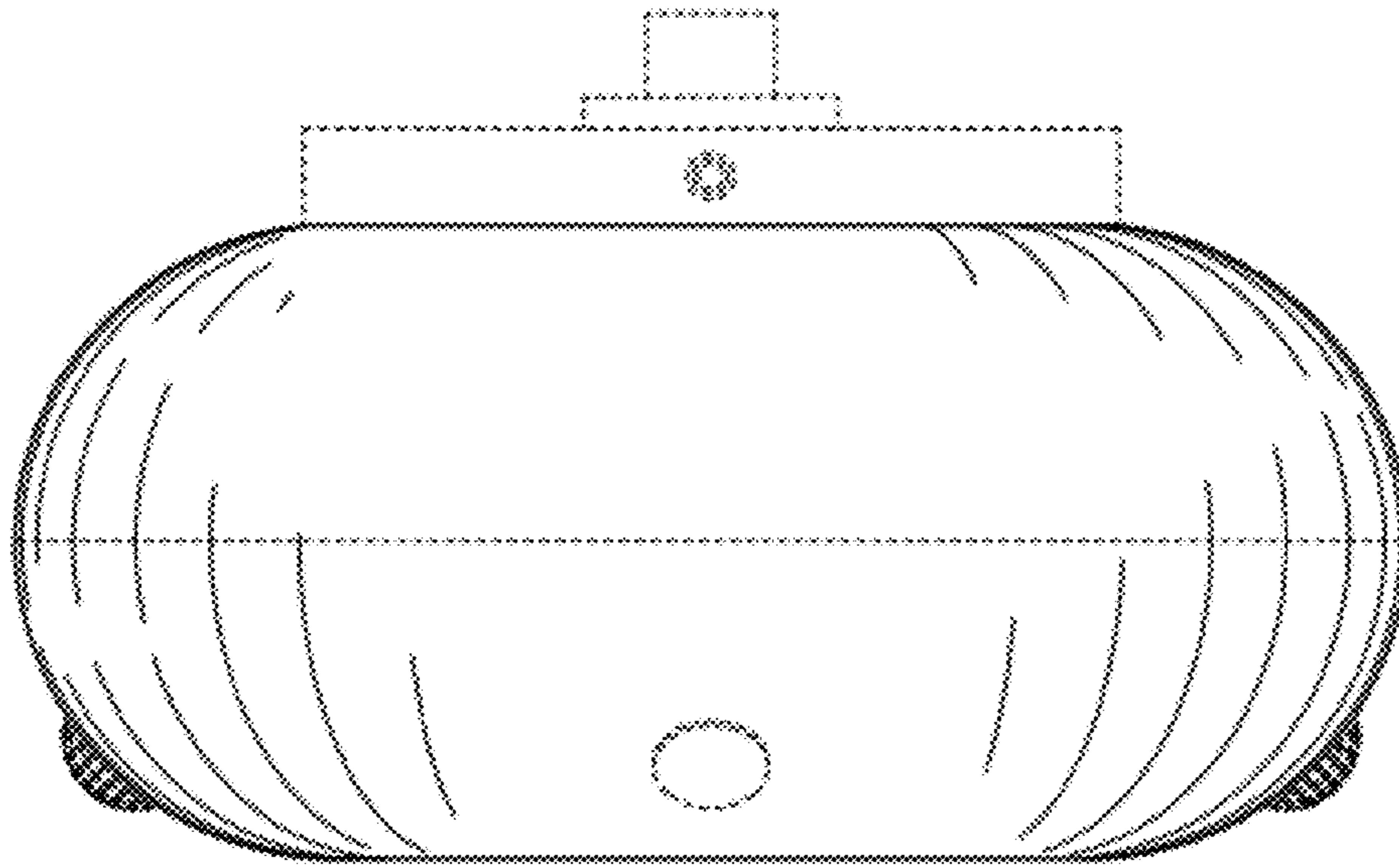


Fig. 3

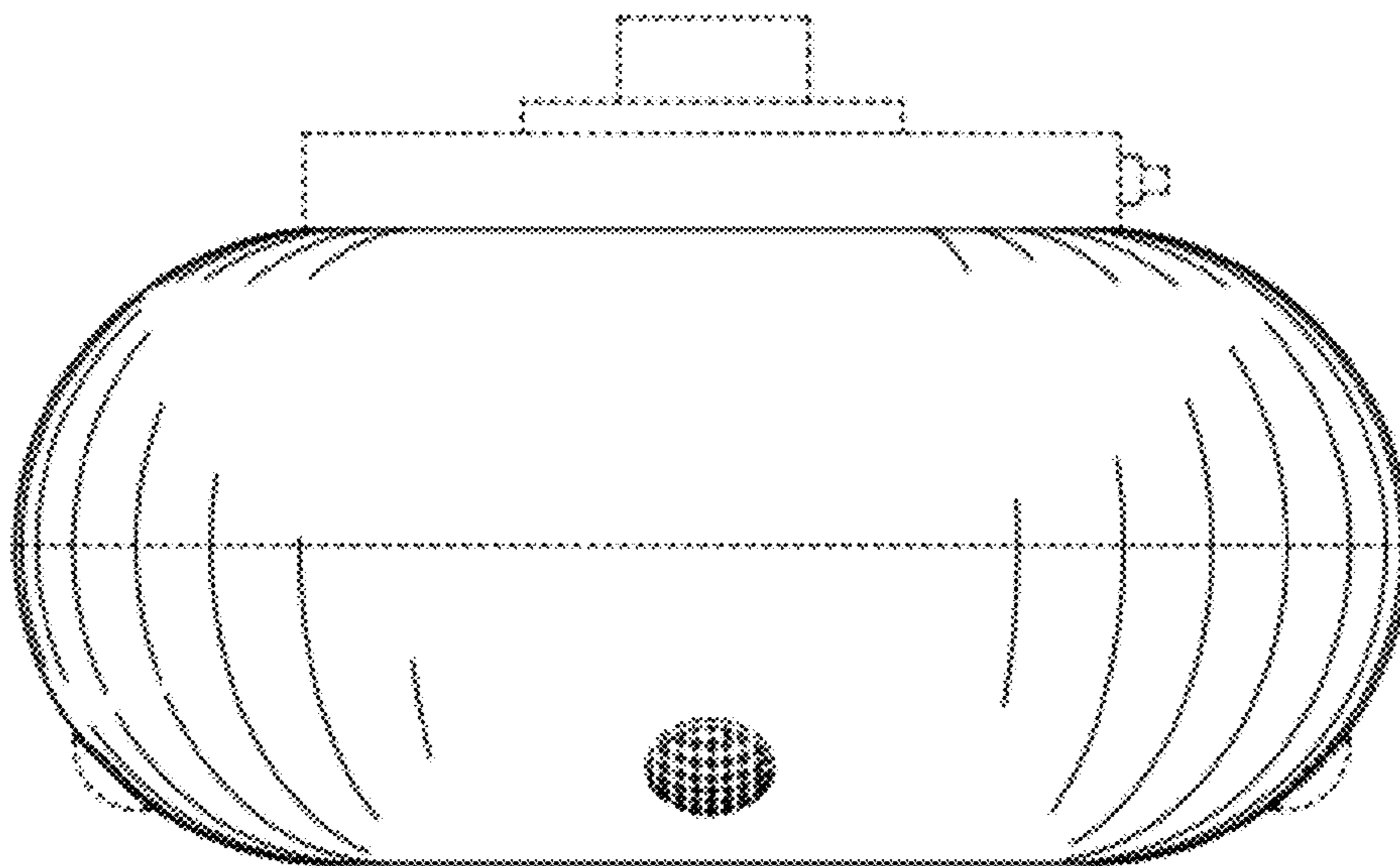


Fig. 4

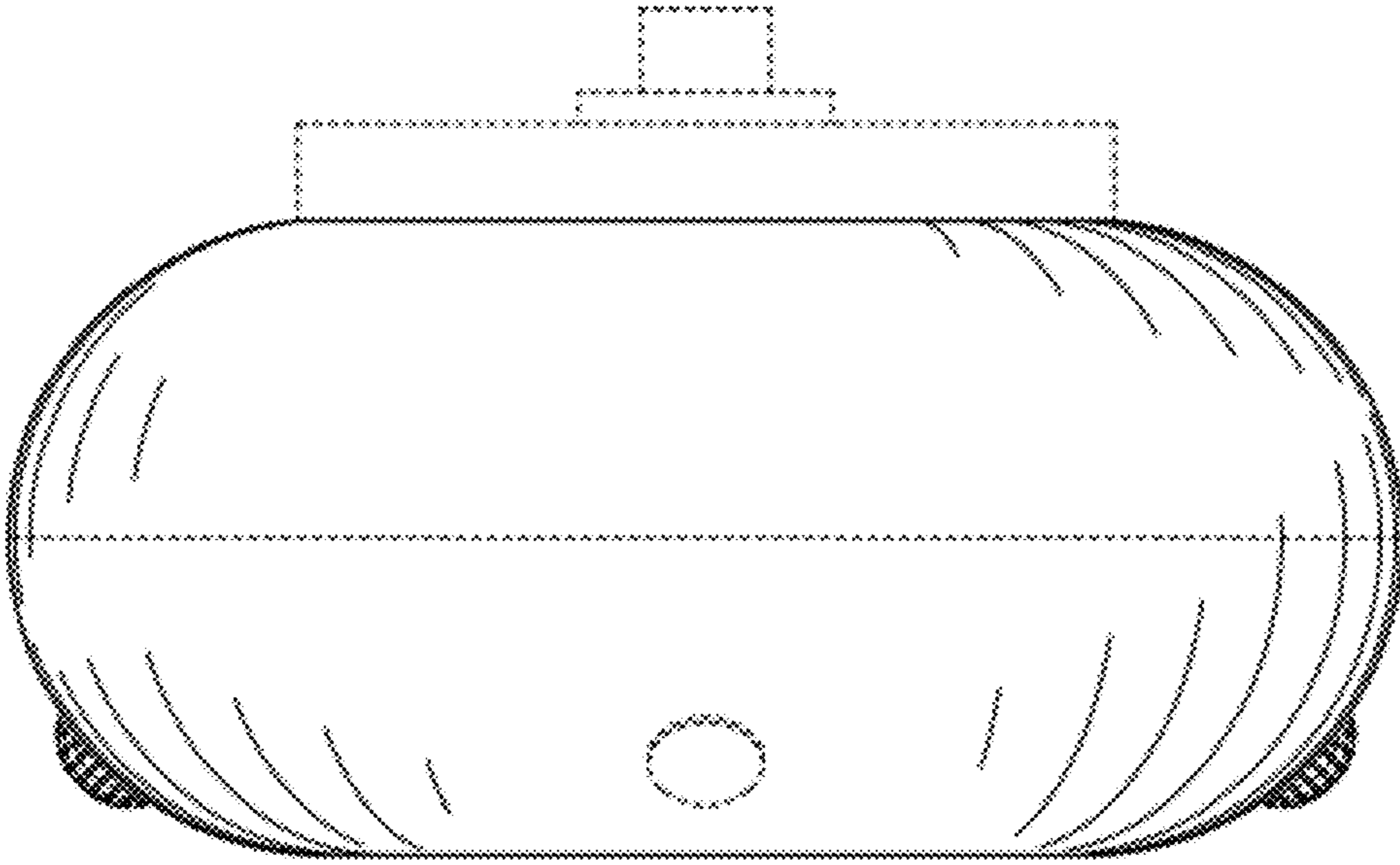


Fig. 5

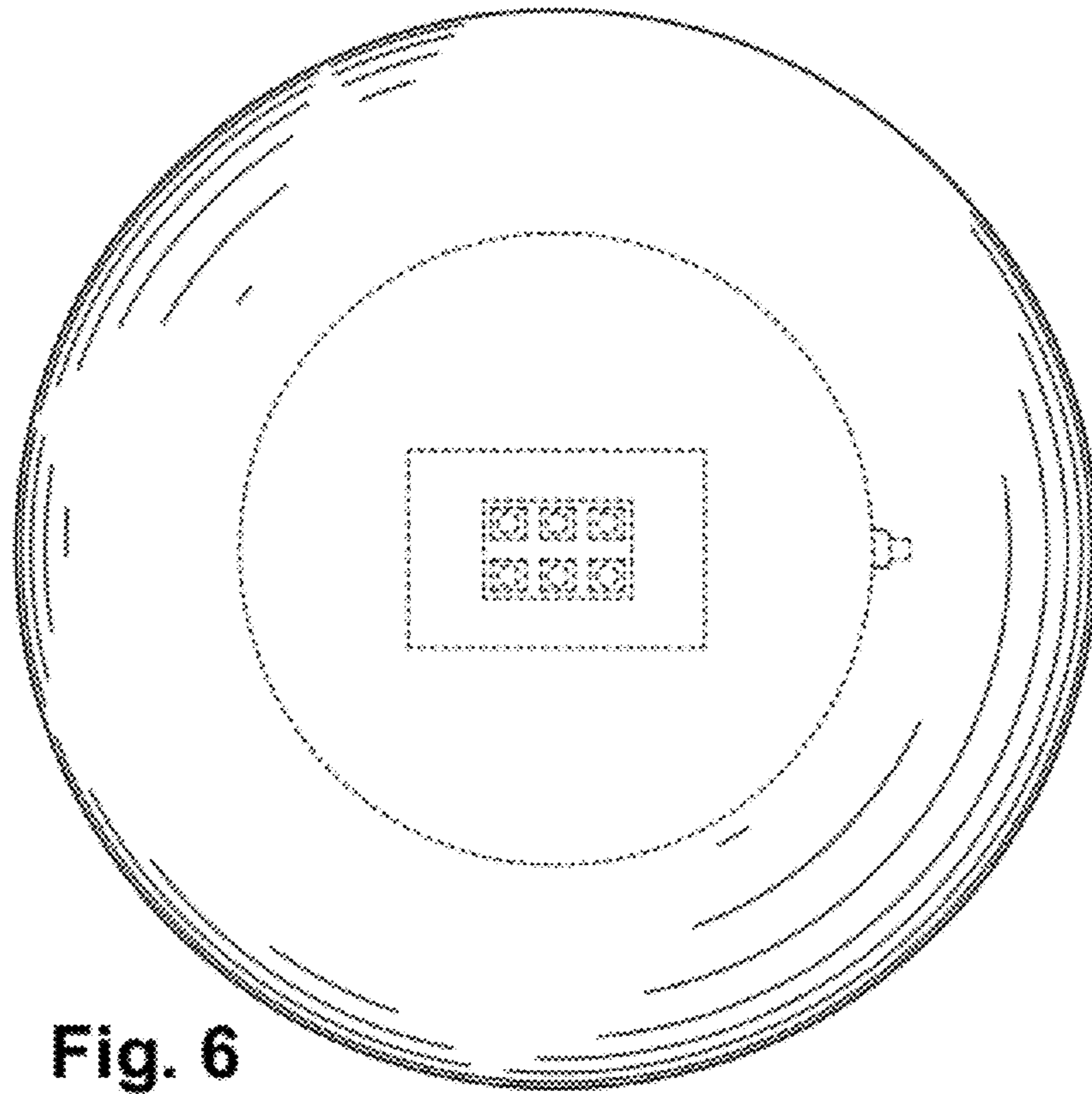


Fig. 6

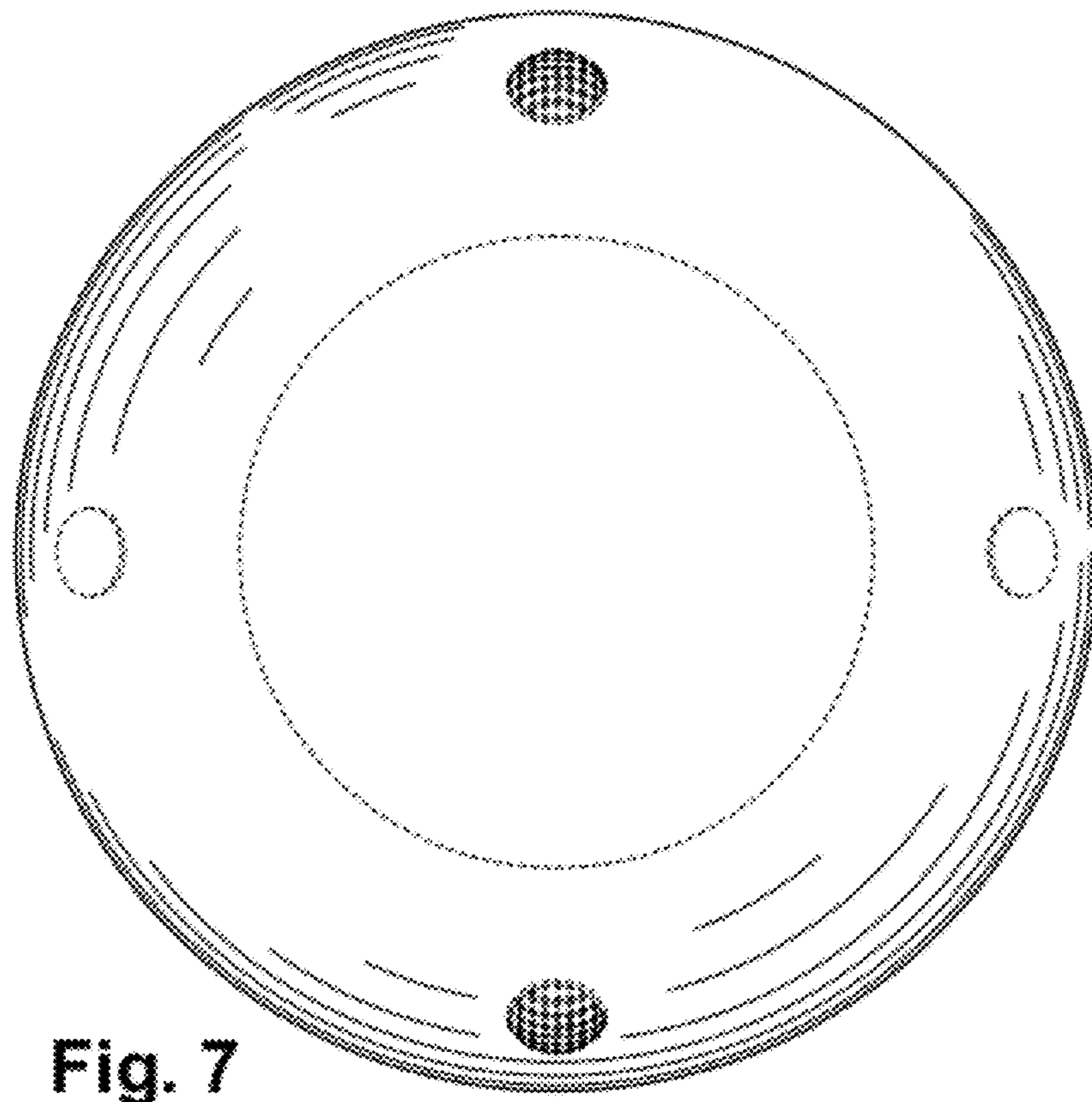


Fig. 7

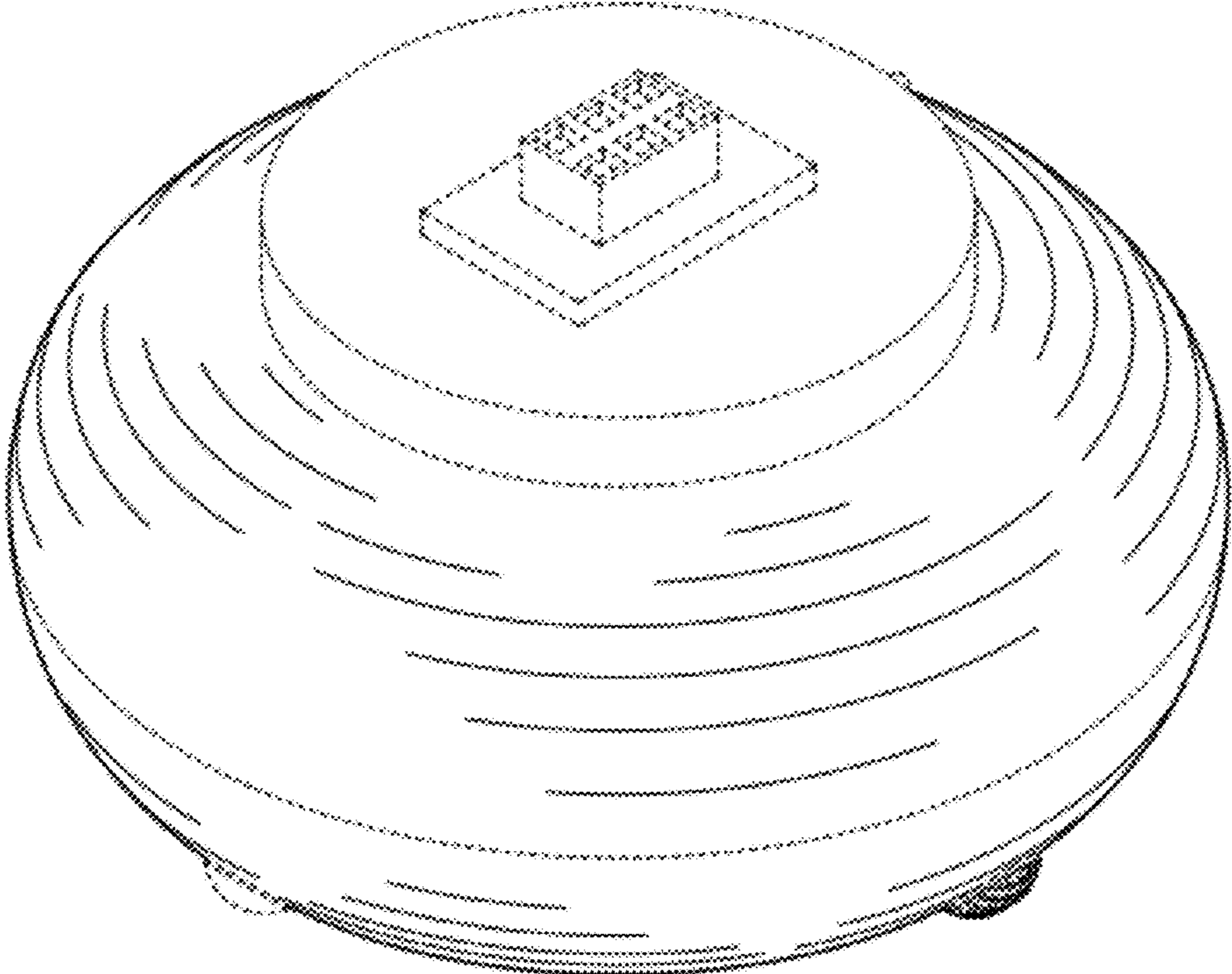


Fig. 8

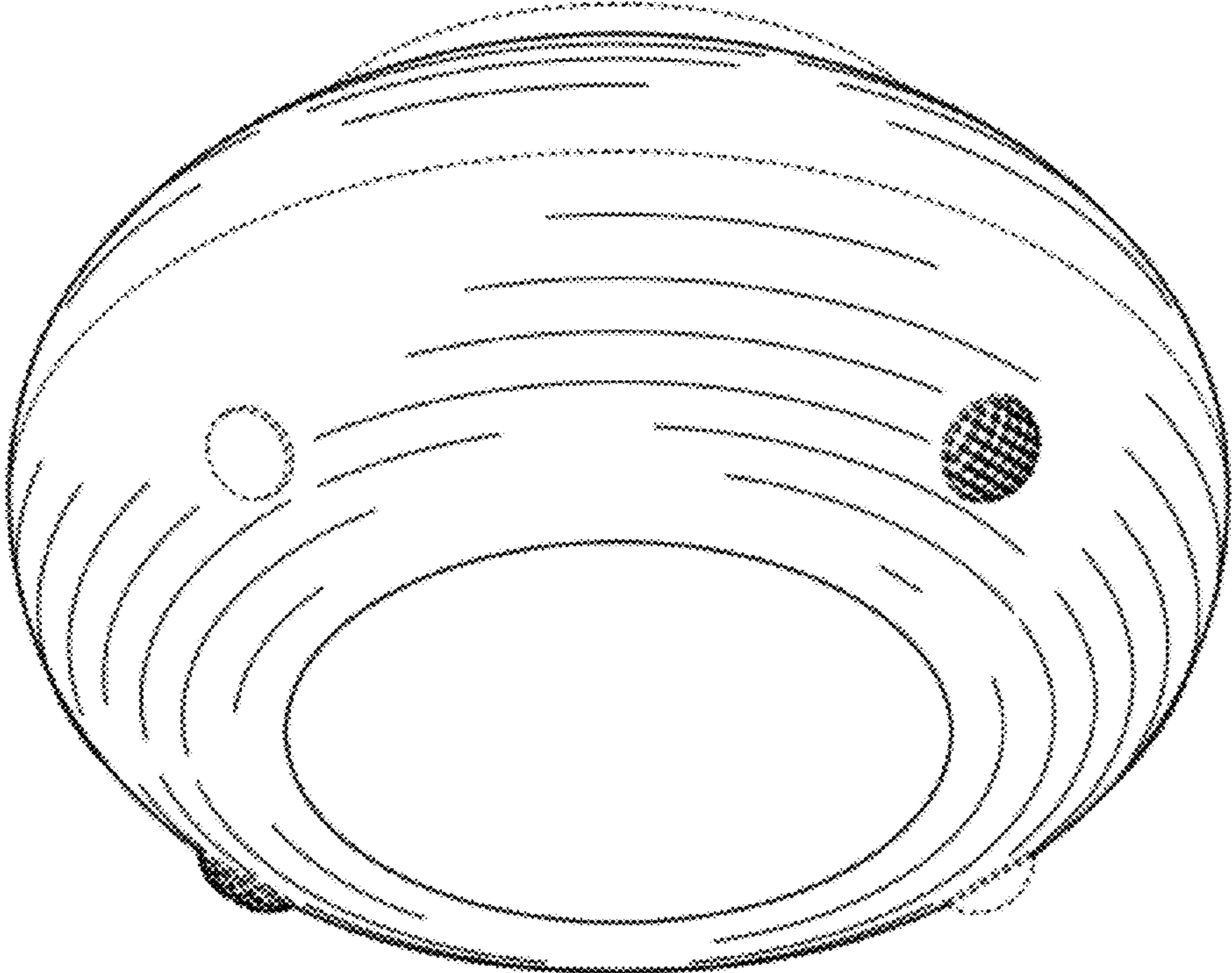


Fig. 9

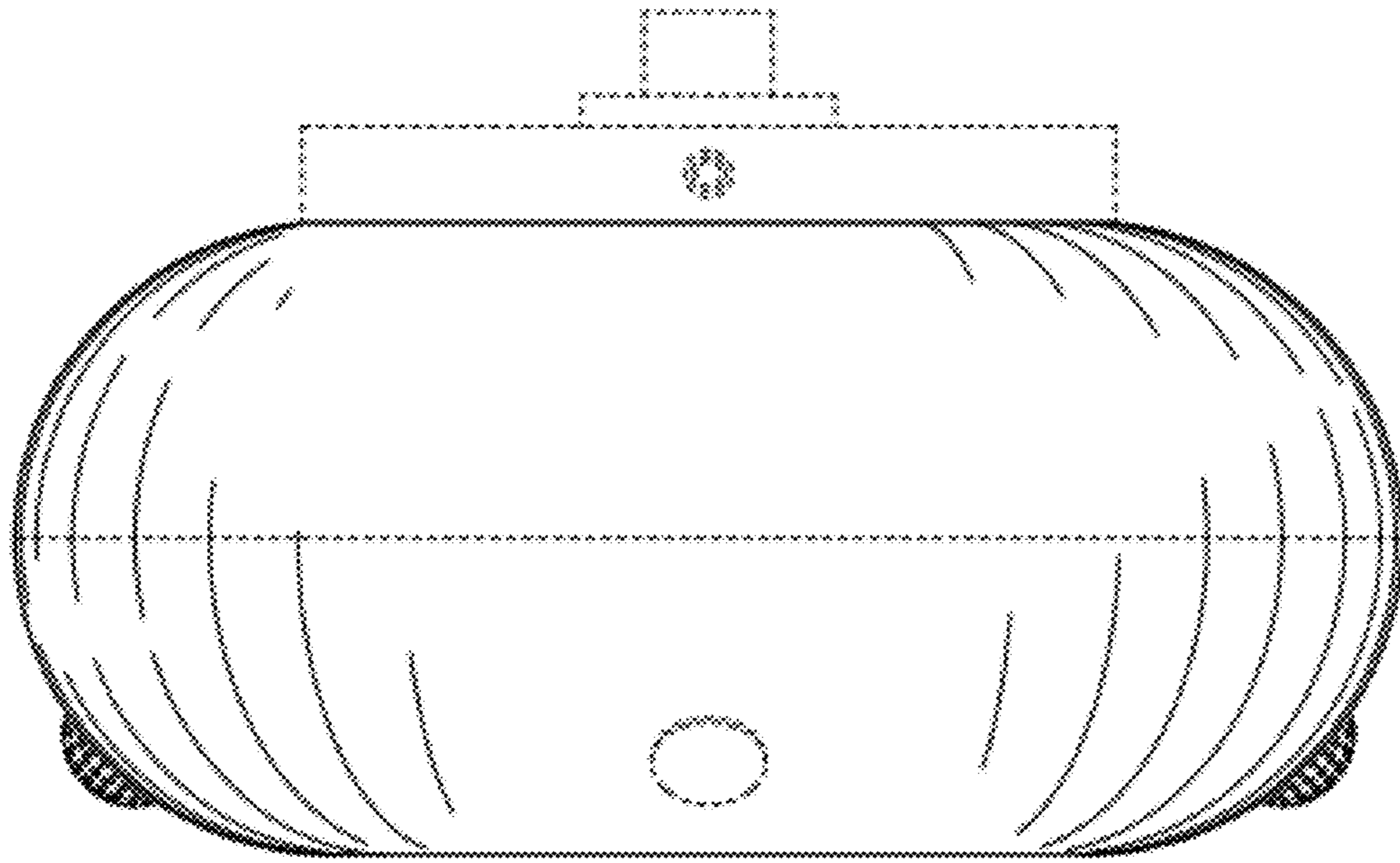


Fig. 10

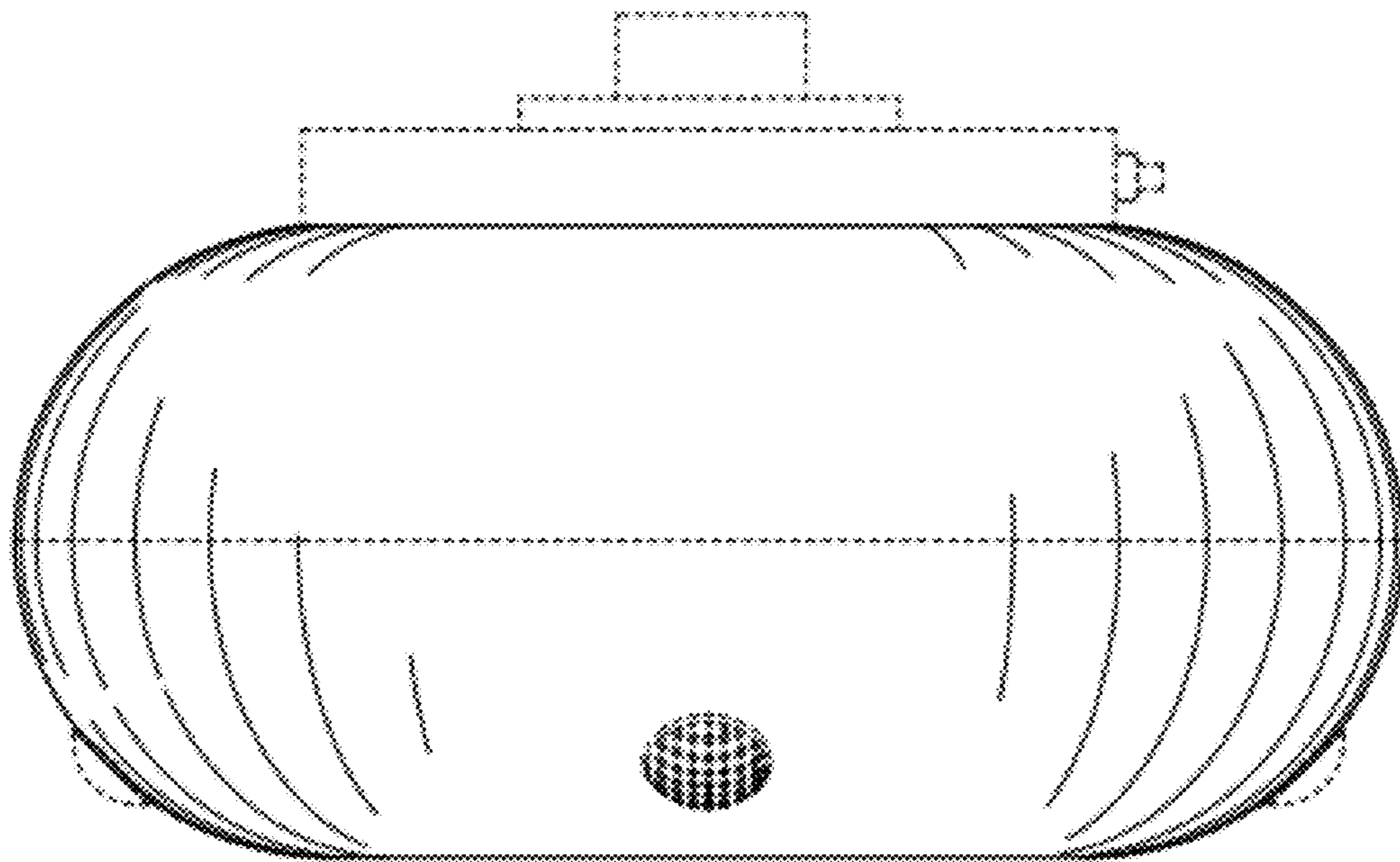


Fig. 11

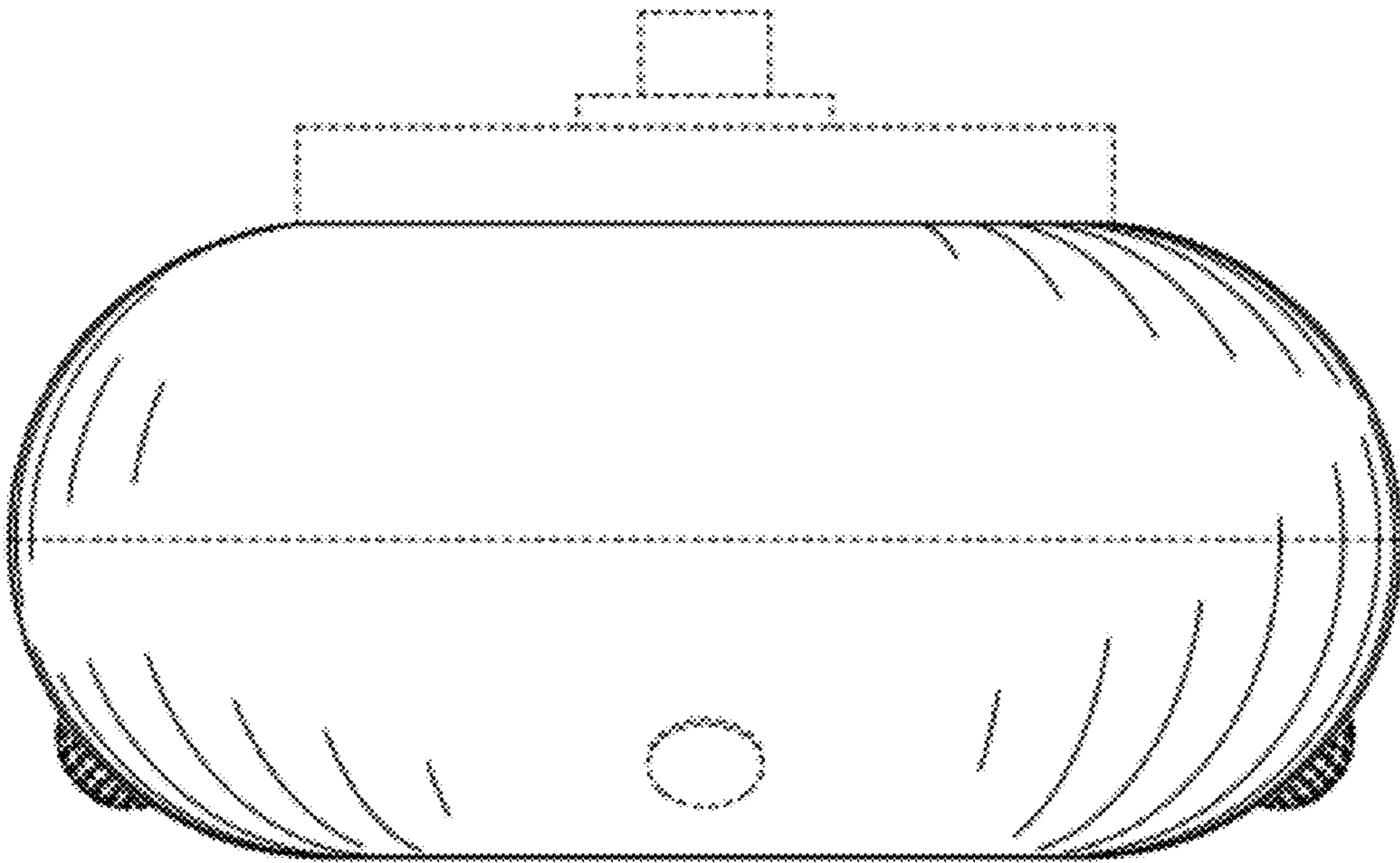


Fig. 12

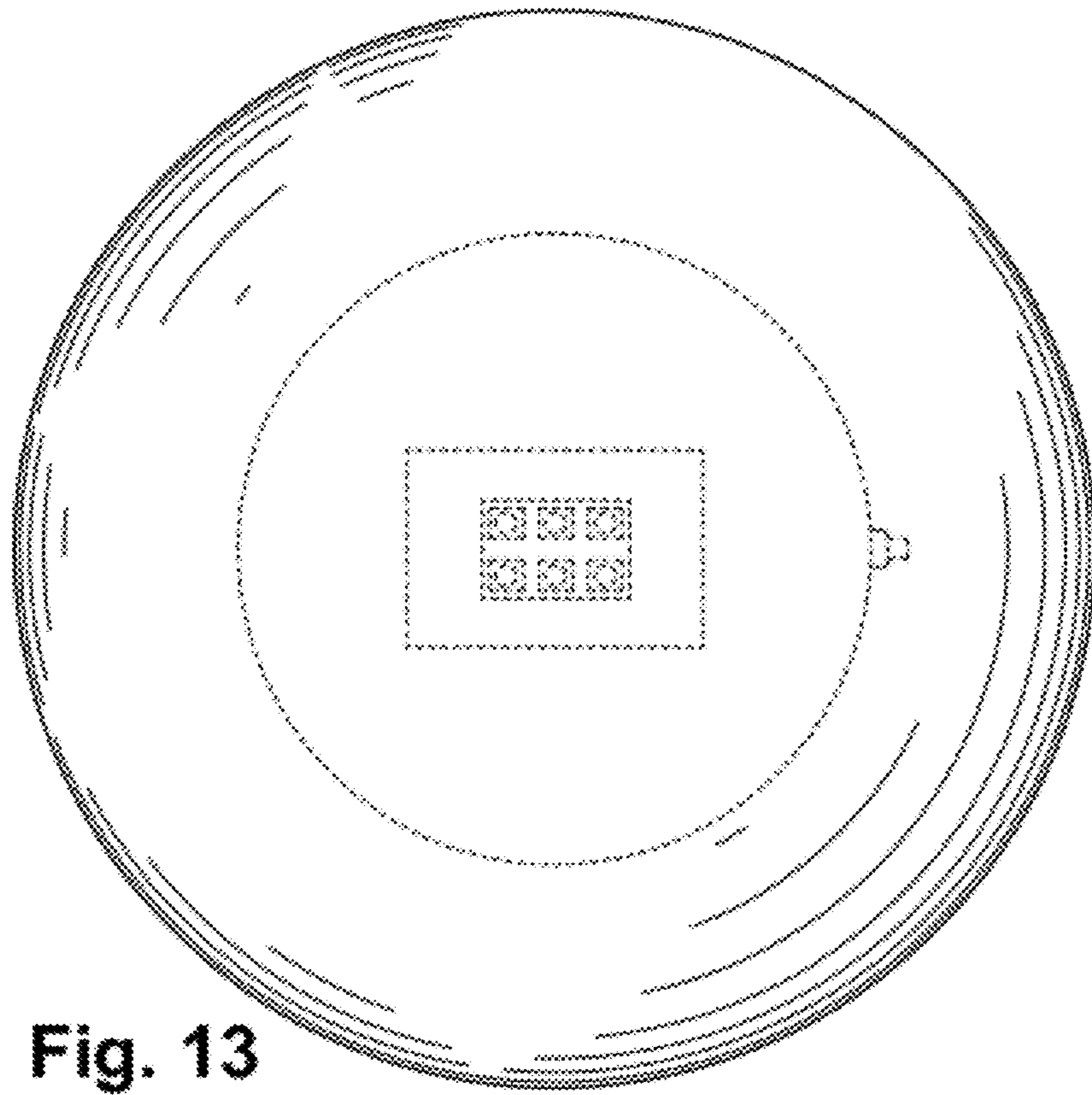


Fig. 13

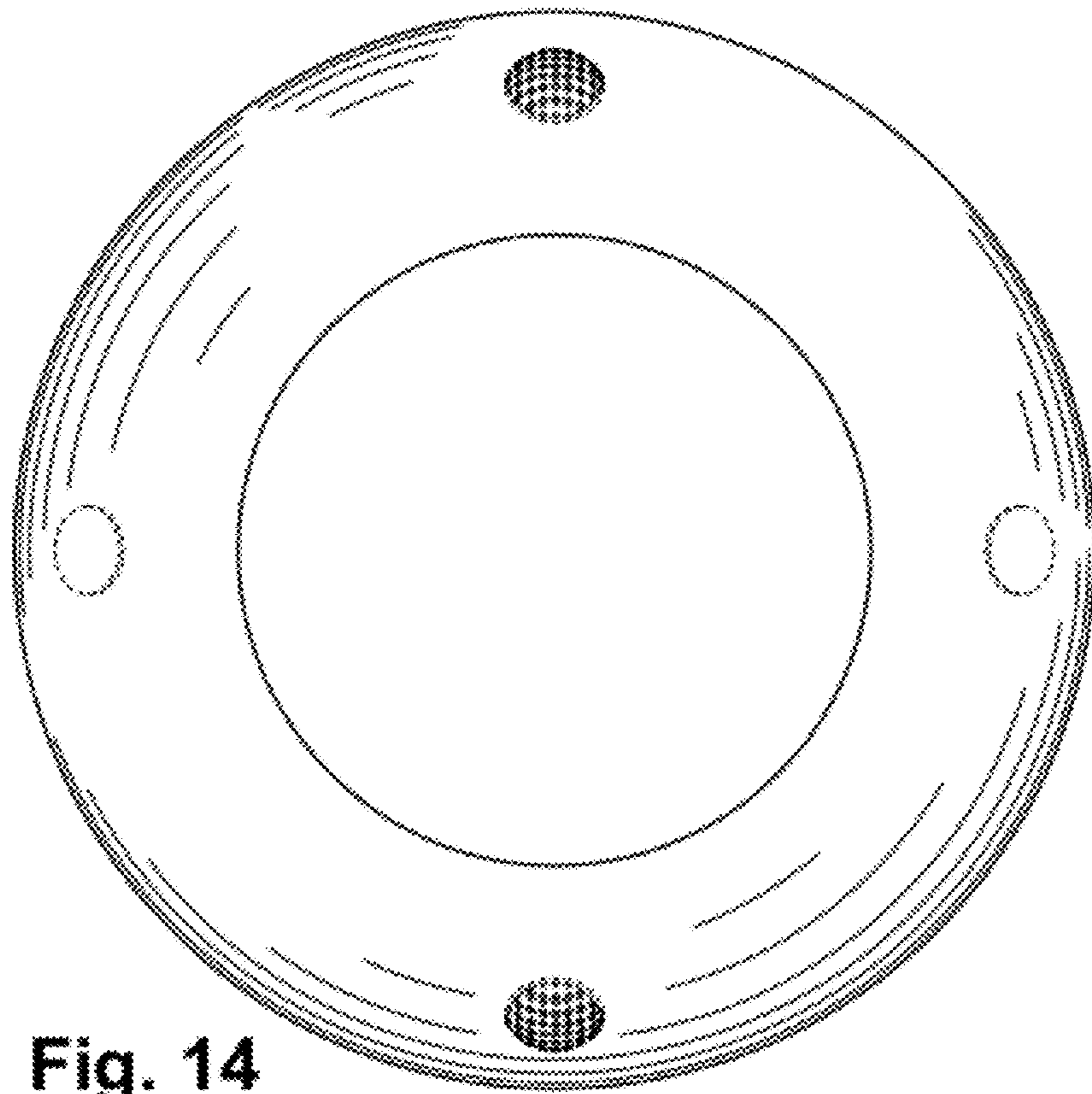


Fig. 14