

US00D664459S

(12) **United States Design Patent**
Rha

(10) **Patent No.:** **US D664,459 S**

(45) **Date of Patent:** **** Jul. 31, 2012**

(54) **CHIP FOR BIOCHEMICAL ASSAY**

(75) Inventor: **Kwan Goo Rha**, Gyeonggi-Do (KR)

(73) Assignee: **MiCo Bio Med. Co. Ltd.** (KR)

(**) Term: **14 Years**

(21) Appl. No.: **29/375,625**

(22) Filed: **Sep. 24, 2010**

(30) **Foreign Application Priority Data**

May 28, 2010 (KR) 30-2010-0023593

(51) **LOC (9) Cl.** **10-04**

(52) **U.S. Cl.** **D10/81**

(58) **Field of Classification Search** D10/78,
D10/81, 94; 257/414, 433, 431, 428

See application file for complete search history.

(56) **References Cited**

U.S. PATENT DOCUMENTS

2004/0155309 A1* 8/2004 Sorin et al. 257/433
* cited by examiner

Primary Examiner — Antoine D Davis

(74) *Attorney, Agent, or Firm* — St. Onge Steward Johnston
& Reens LLC

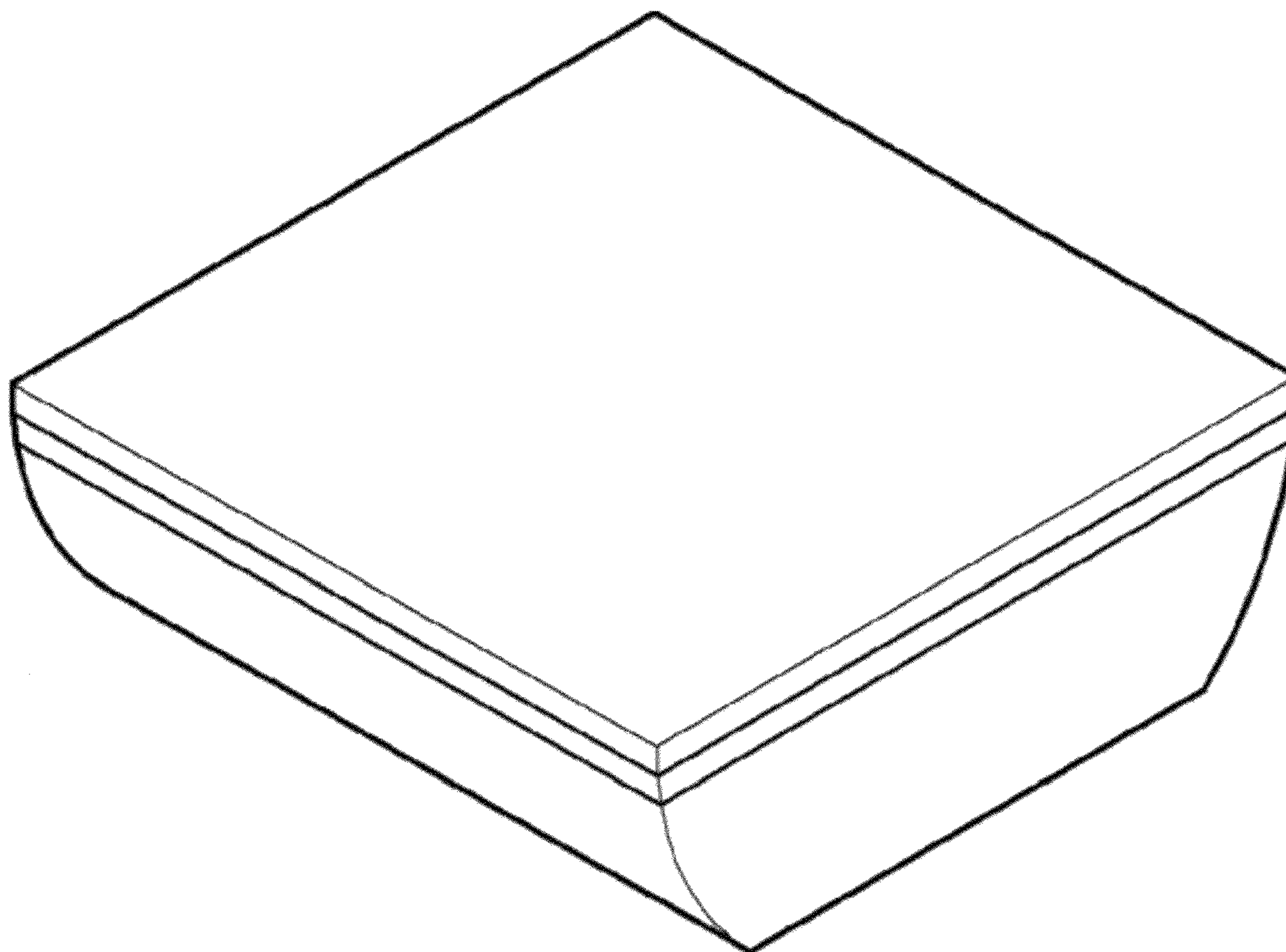
(57) **CLAIM**

The ornamental design for a chip for biochemical assay, as shown and described.

DESCRIPTION

FIG. 1 is a top perspective view of a chip for biochemical assay in accordance with the new design;
FIG. 2 is a front elevation view thereof;
FIG. 3 is a rear elevation view thereof;
FIG. 4 is a right side elevation view thereof;
FIG. 5 is a left side elevation view thereof;
FIG. 6 is a top plan view thereof;
FIG. 7 is a bottom plan view thereof; and,
FIG. 8 is a bottom perspective view thereof.

1 Claim, 8 Drawing Sheets



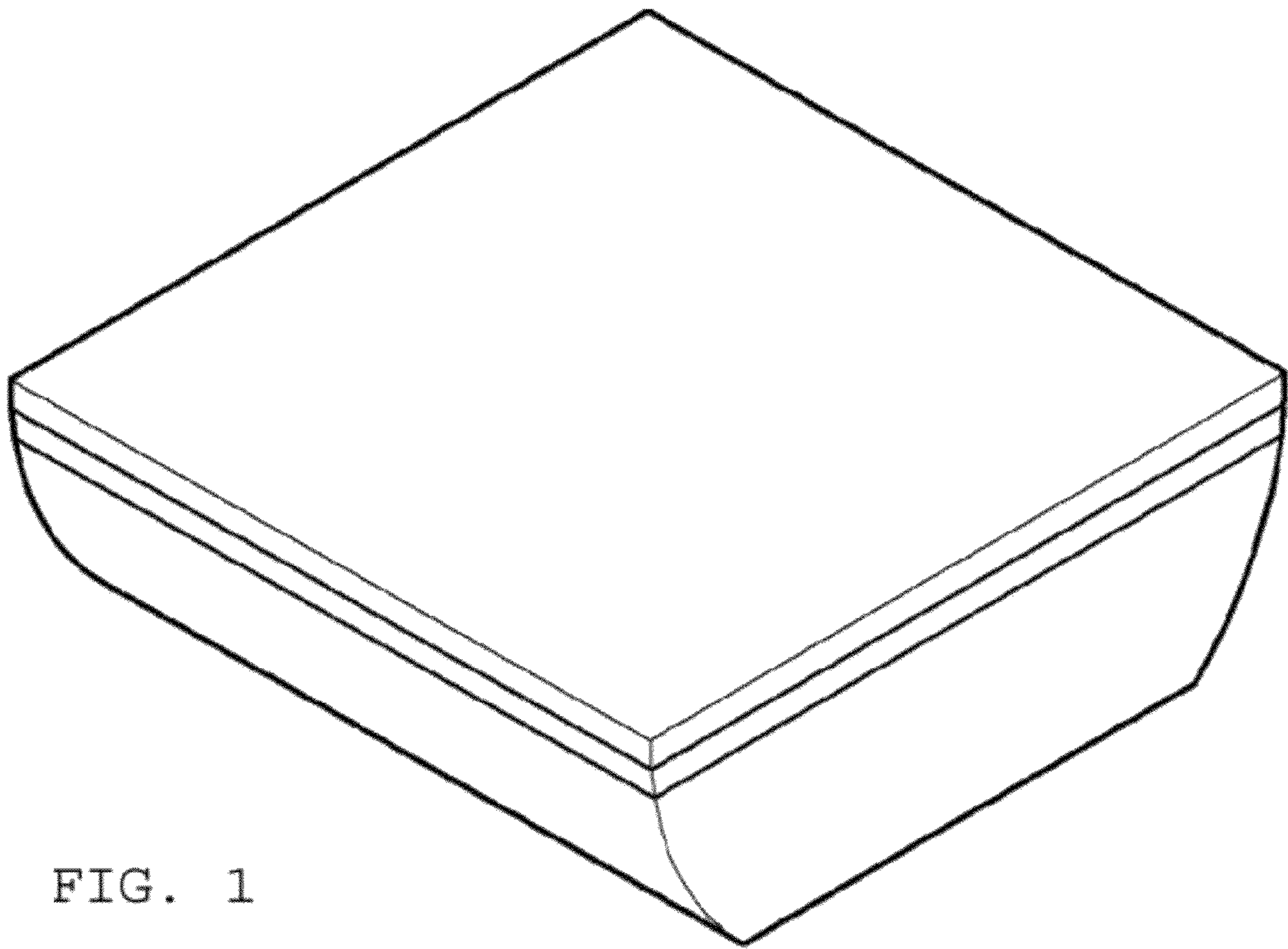


FIG. 1

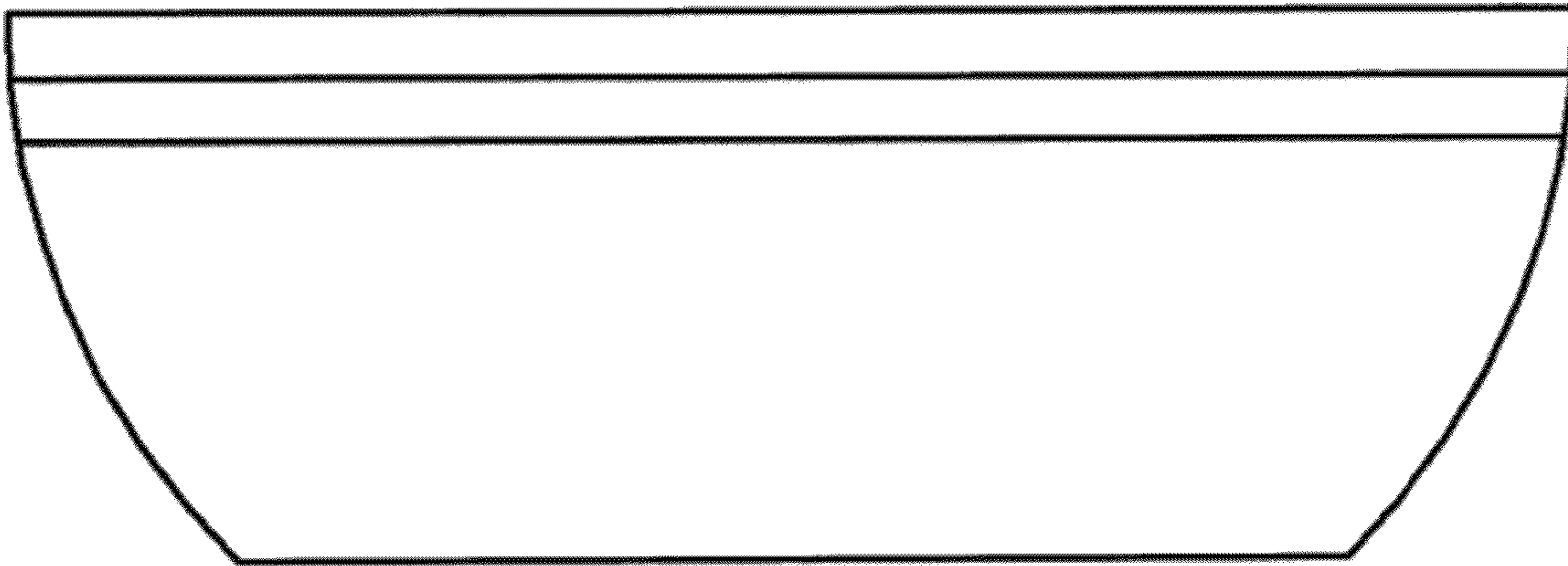


FIG. 2

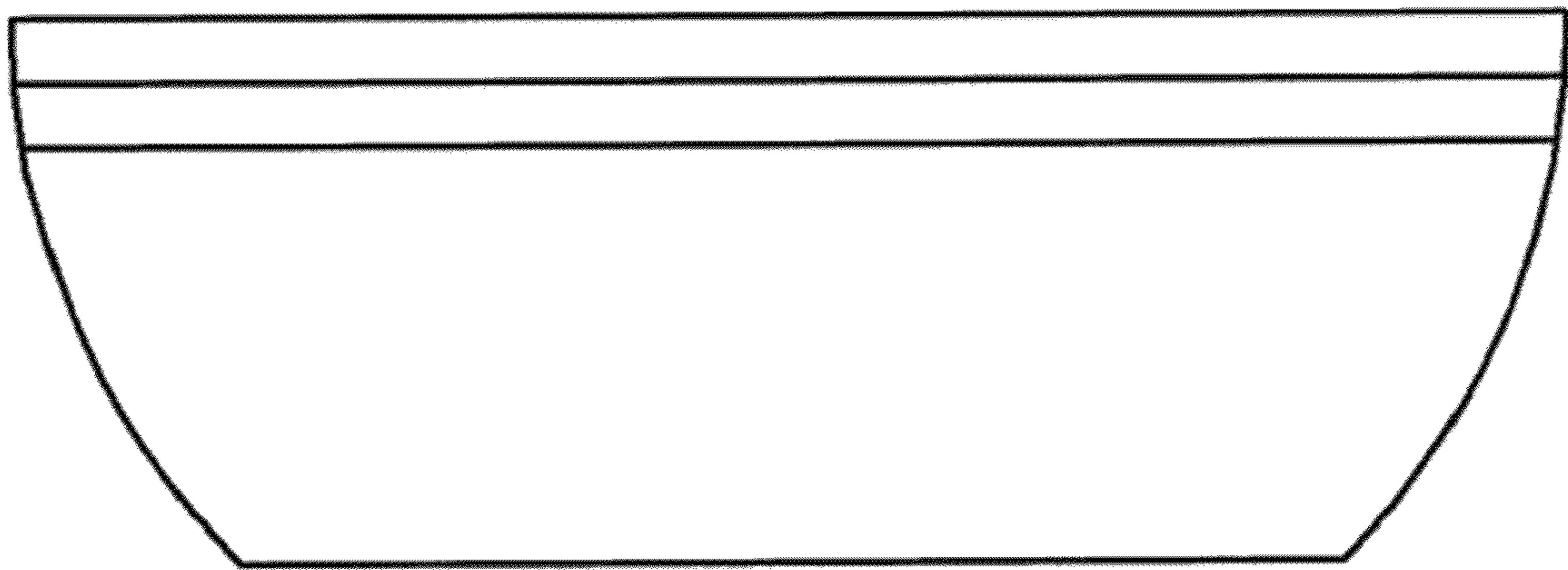


FIG. 3

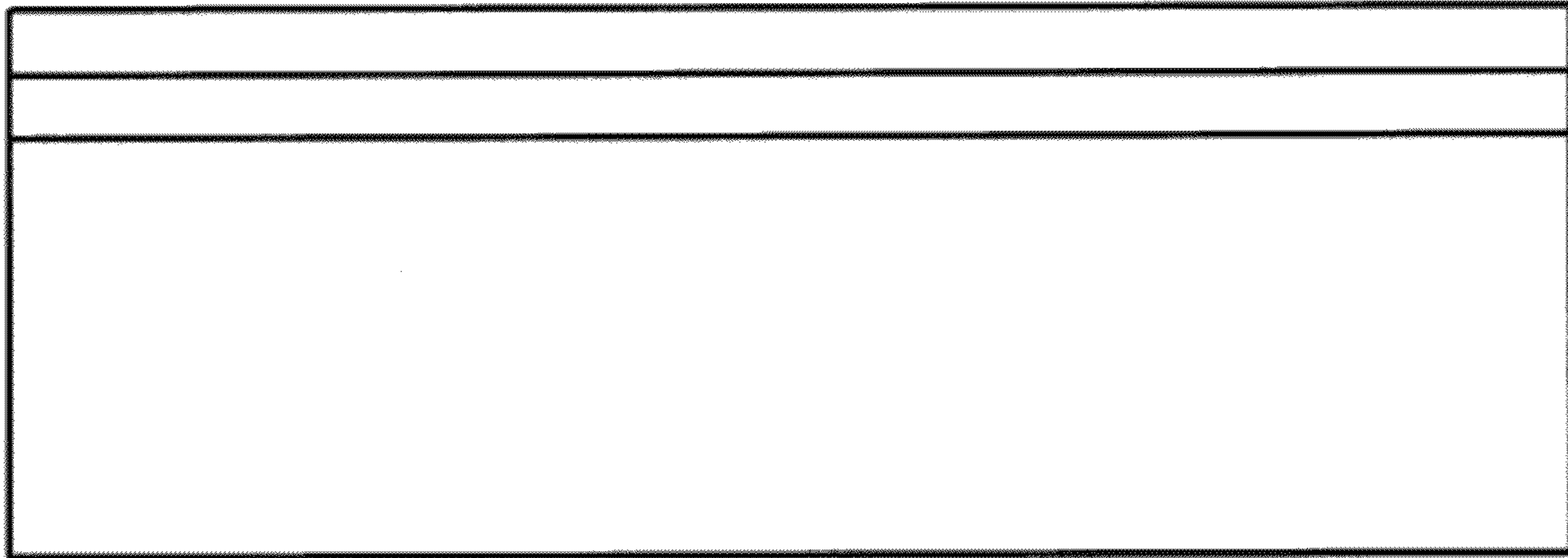


FIG. 4

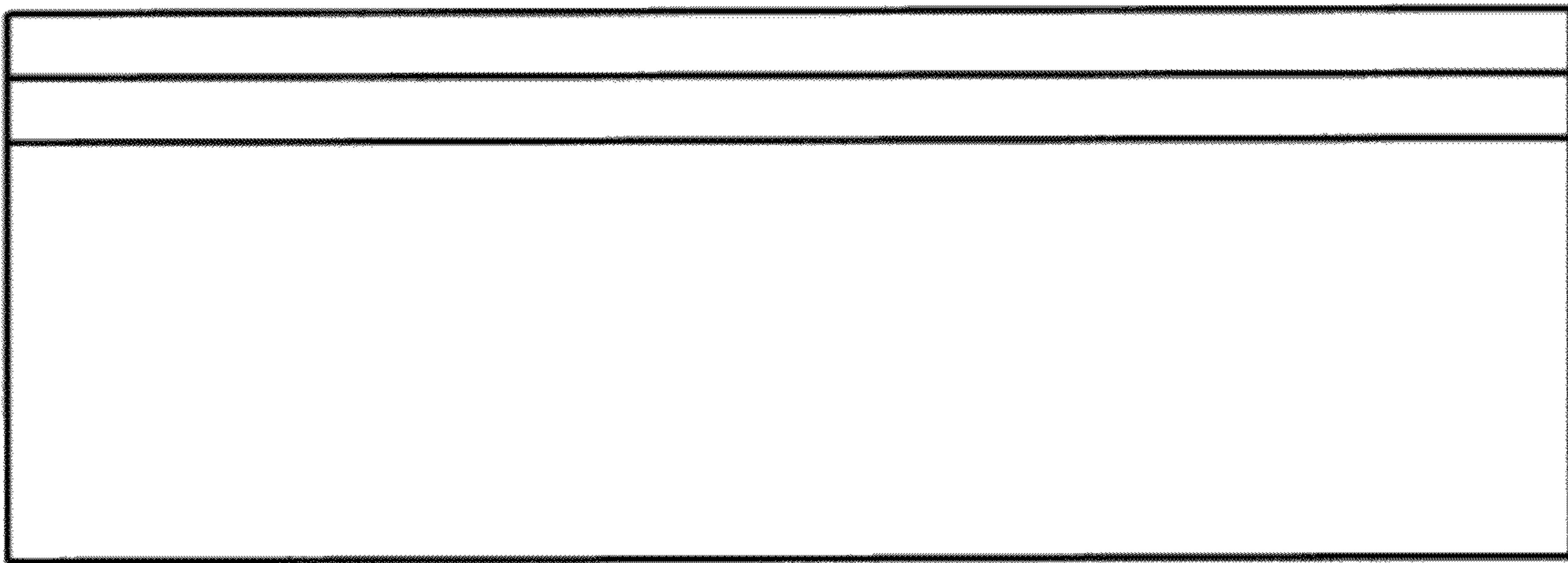


FIG. 5

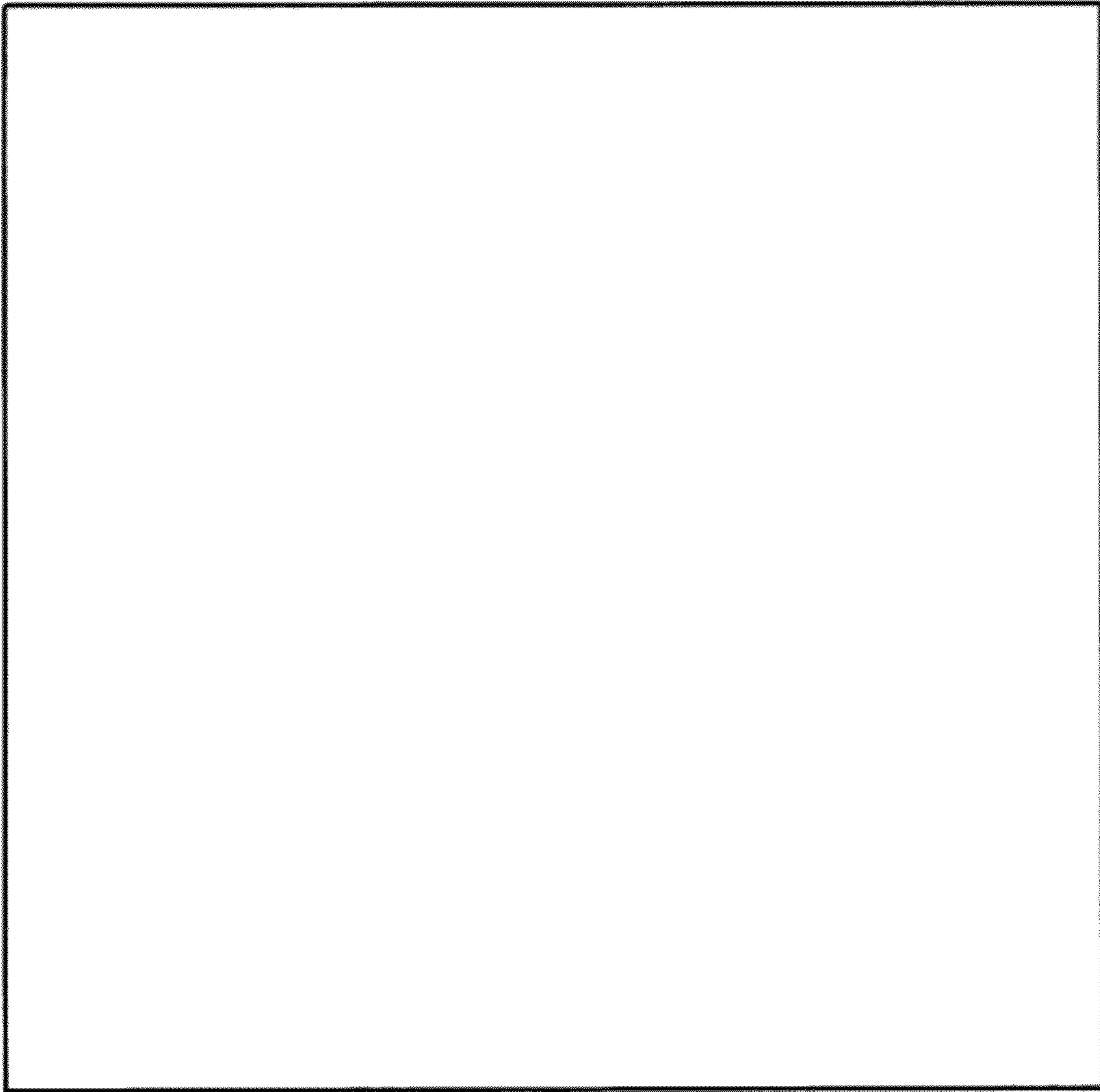


FIG. 6

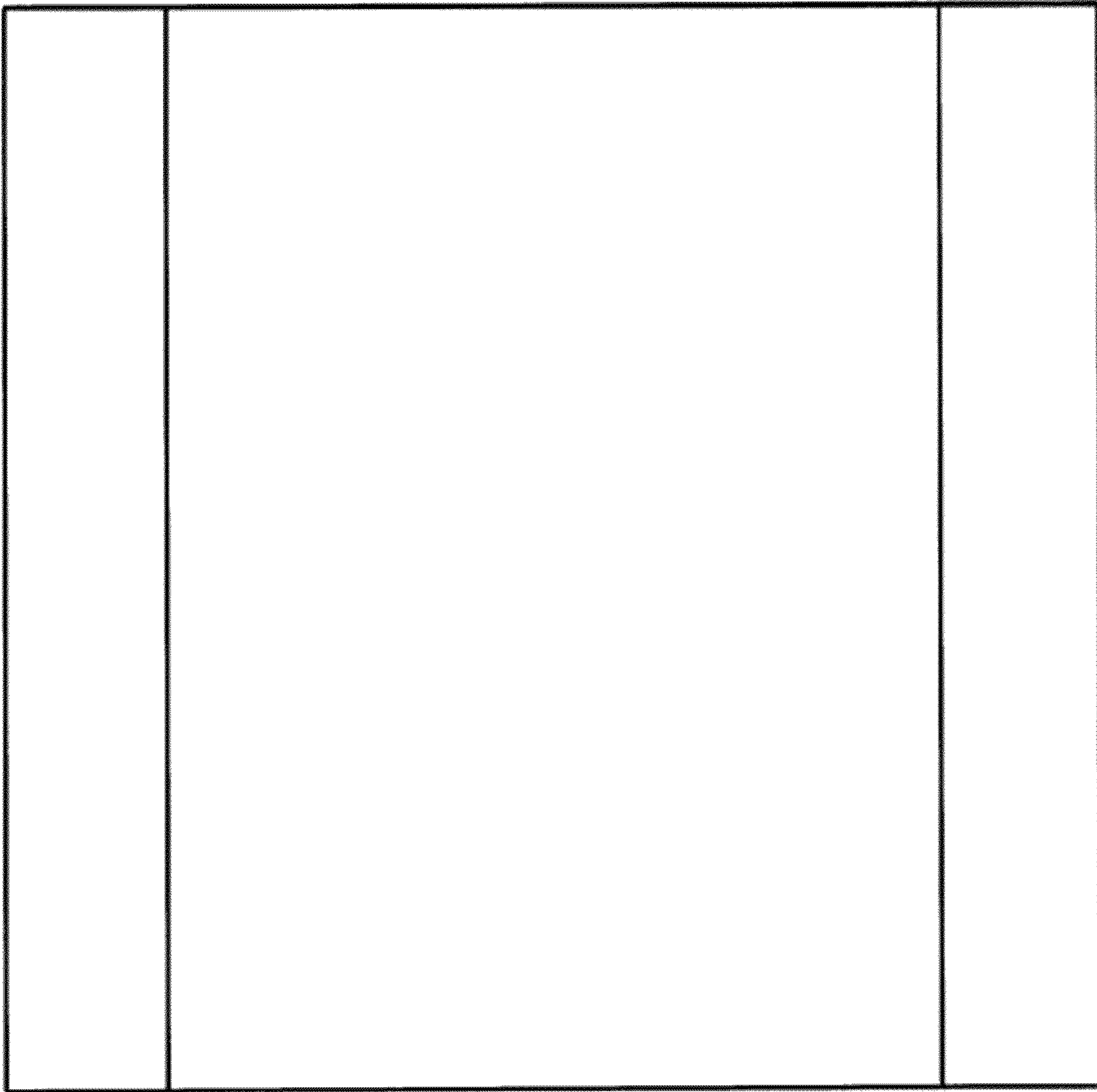


FIG. 7

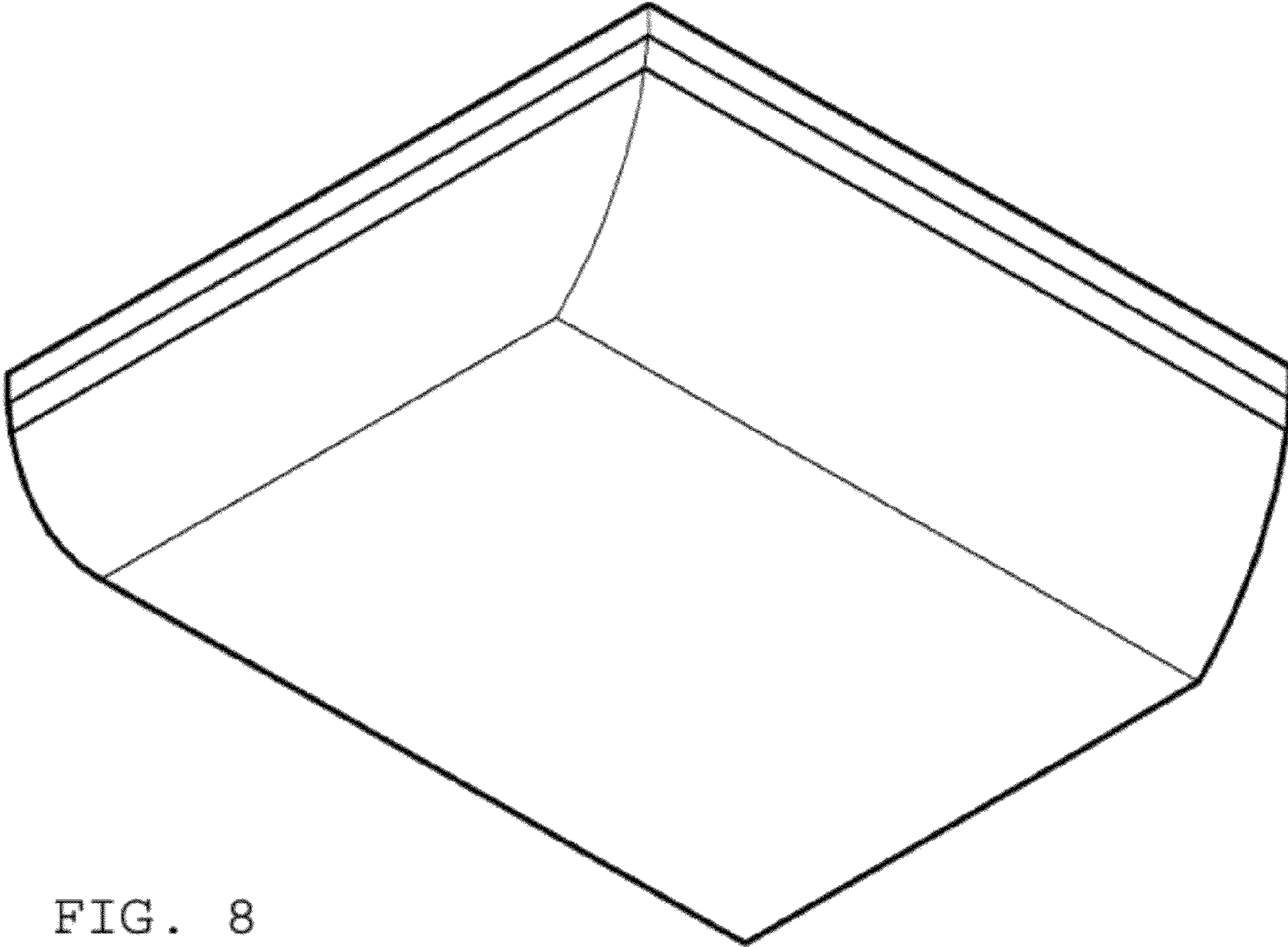


FIG. 8