



US00D664457S

(12) **United States Design Patent**  
**Buchanan**

(10) **Patent No.:** **US D664,457 S**  
(45) **Date of Patent:** **\*\* Jul. 31, 2012**

(54) **VOLTAGE DETECTOR**

(75) Inventor: **James S. Buchanan**, Northbrook, IL  
(US)

(73) Assignee: **HD Electric Company**, Waukegan, IL  
(US)

(\*\*) Term: **14 Years**

(21) Appl. No.: **29/385,822**

(22) Filed: **Feb. 21, 2011**

(51) **LOC (9) Cl.** ..... **10-04**

(52) **U.S. Cl.** ..... **D10/78; D10/79**

(58) **Field of Classification Search** ..... D10/78,  
D10/79; 324/555, 66, 72, 754, 114, 115,  
324/141, 145, 156, 508, 72.5, 556, 133, 1,  
324/49, 503, 543, 116; 340/635, 687, 654;  
379/21; 73/866.5

See application file for complete search history.

(56) **References Cited**

**U.S. PATENT DOCUMENTS**

8,085,032 B2 \* 12/2011 Radle et al. .... 324/67

\* cited by examiner

*Primary Examiner* — Antoine D Davis

(74) *Attorney, Agent, or Firm* — McDonnell Boehnen  
Hulbert & Berghoff LLP

(57) **CLAIM**

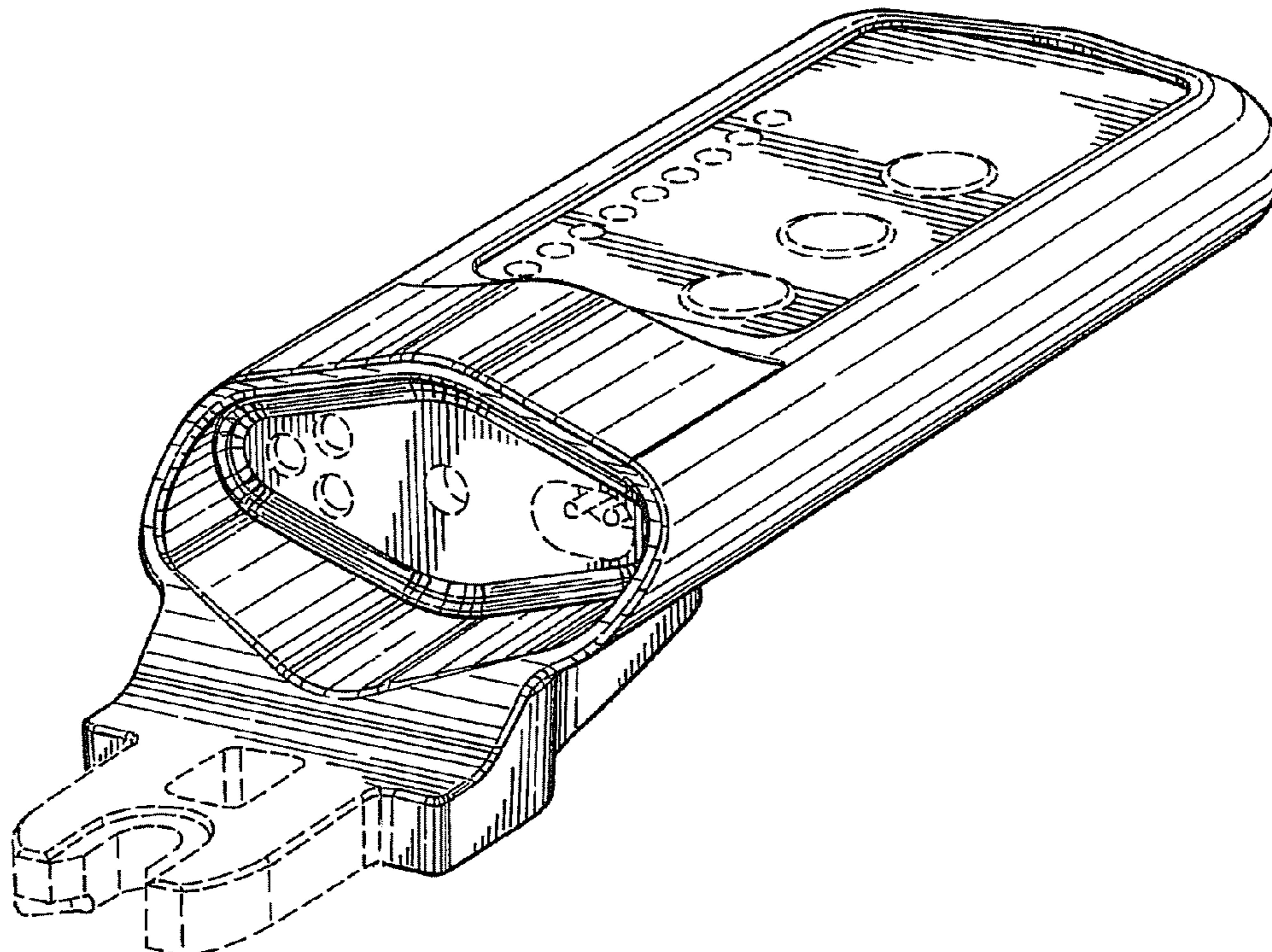
The ornamental design for a voltage detector, as shown and  
described.

**DESCRIPTION**

FIG. 1 is a perspective view of a voltage detector;  
FIG. 2 is a front view of the voltage detector shown in FIG. 1;  
FIG. 3 is a rear view of the voltage detector device shown in  
FIG. 1;  
FIG. 4 is a top view of the voltage detector shown in FIG. 1;  
FIG. 5 is a side view of the voltage detector shown in FIG. 1;  
and,  
FIG. 6 is a bottom view of the voltage detector shown in FIG.  
1.

The broken line showing of structural features is included for  
the purpose of illustrating non-claimed subject matter and  
forms no part of the claimed design.

**1 Claim, 2 Drawing Sheets**



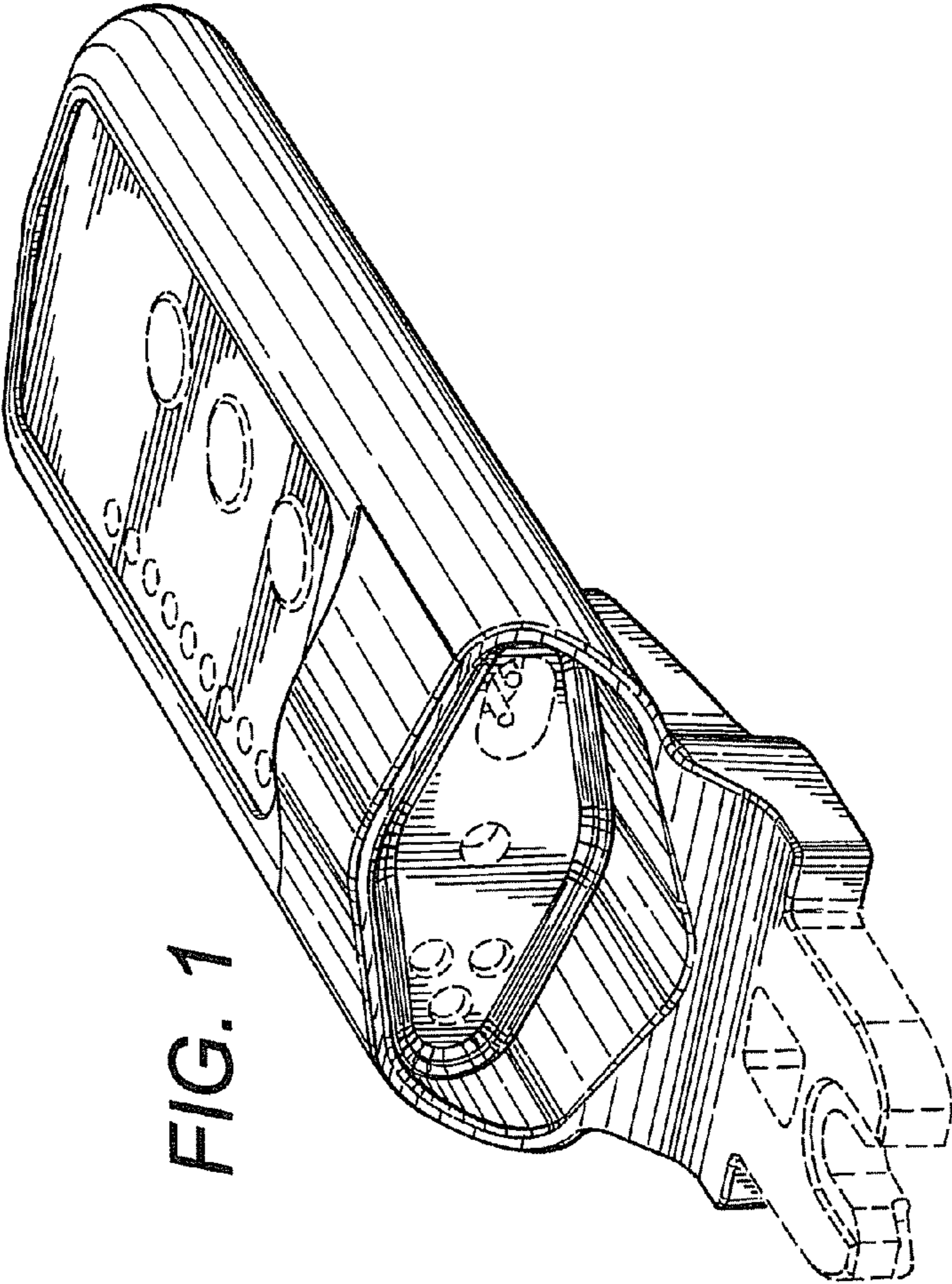


FIG. 1

FIG. 2

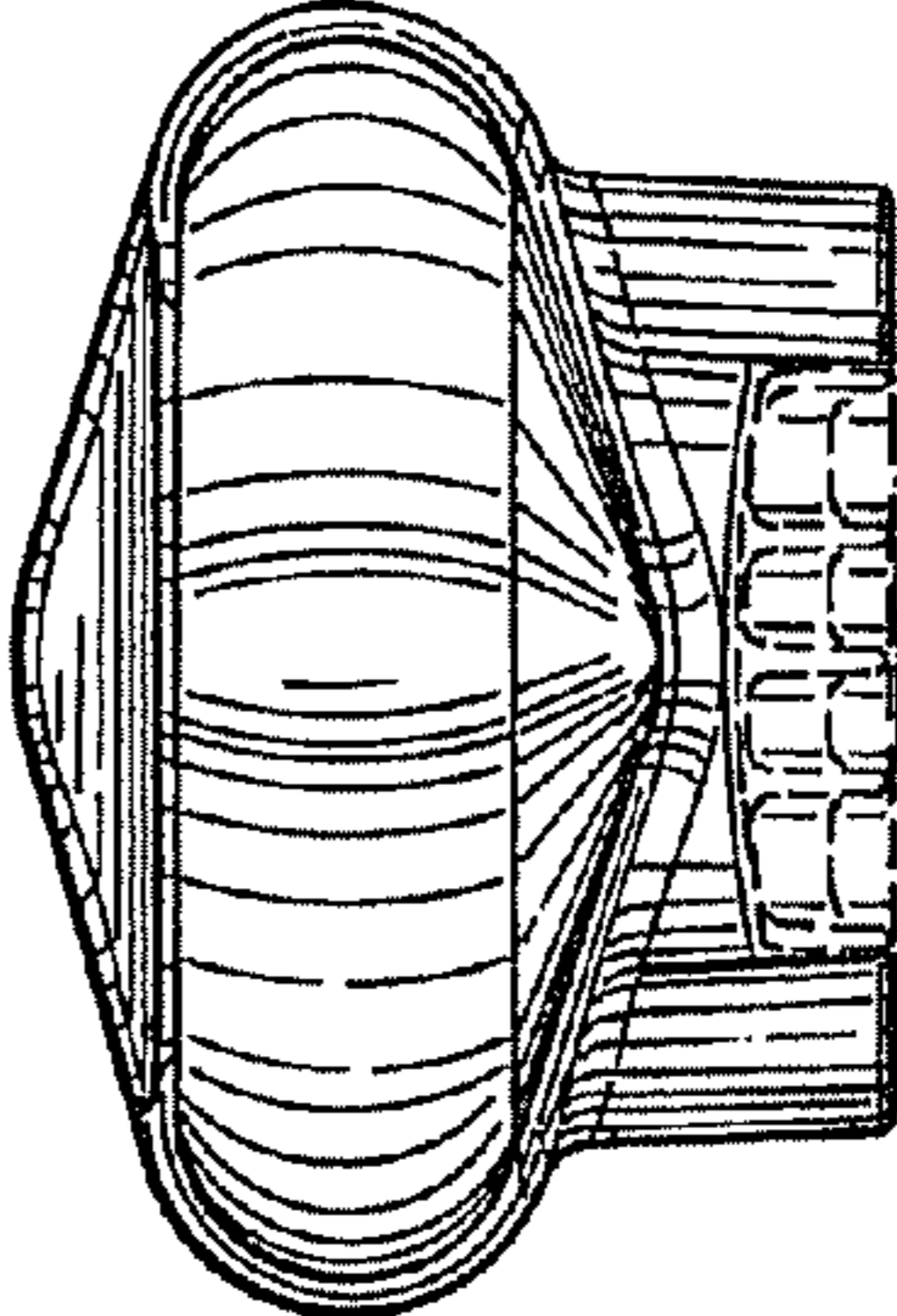
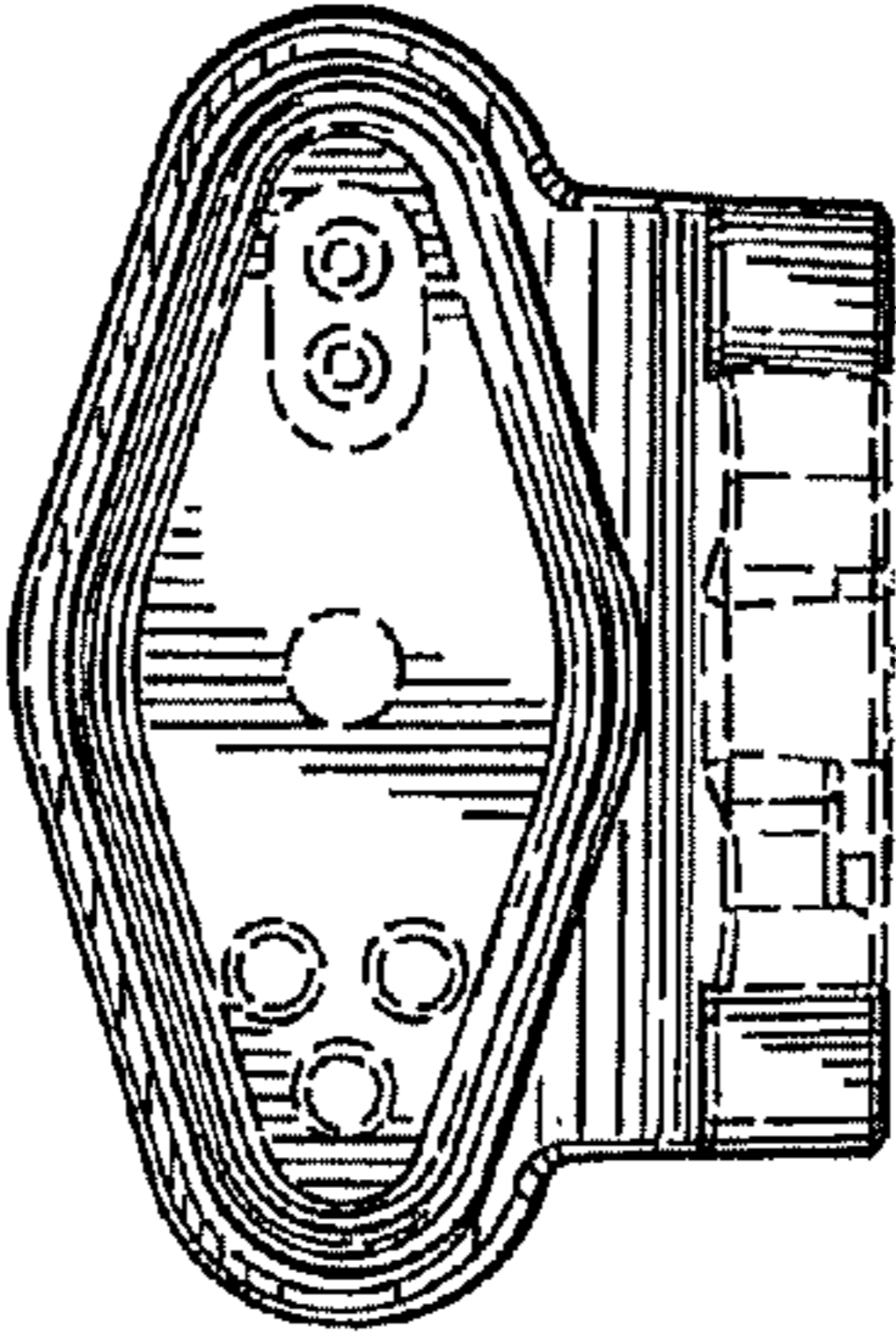
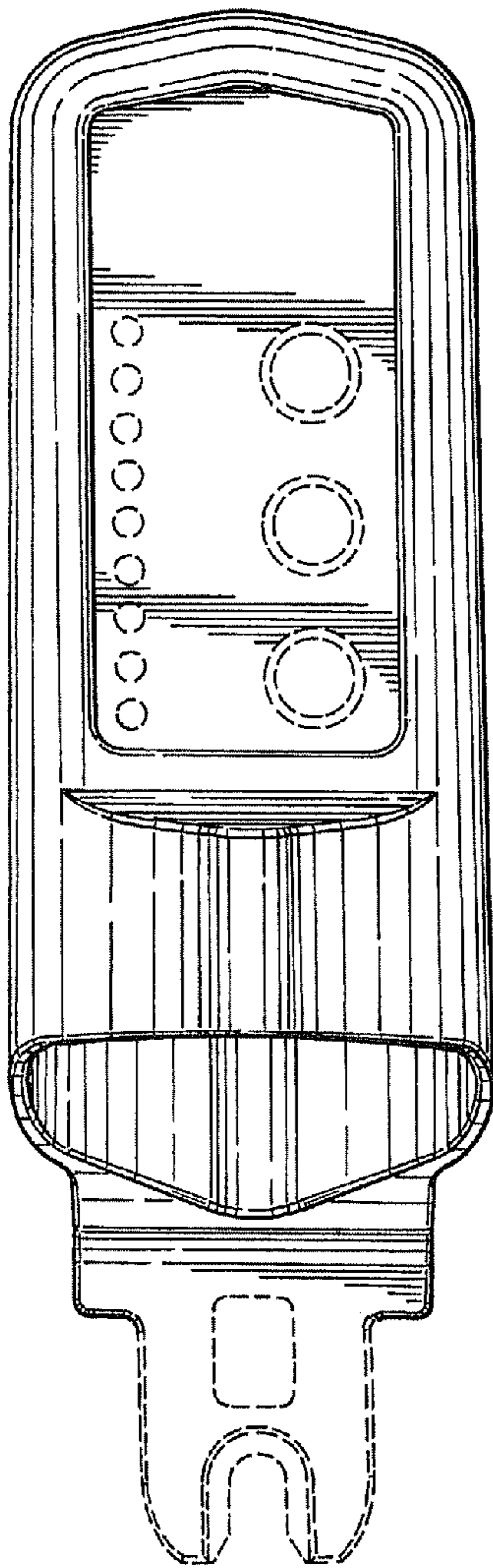
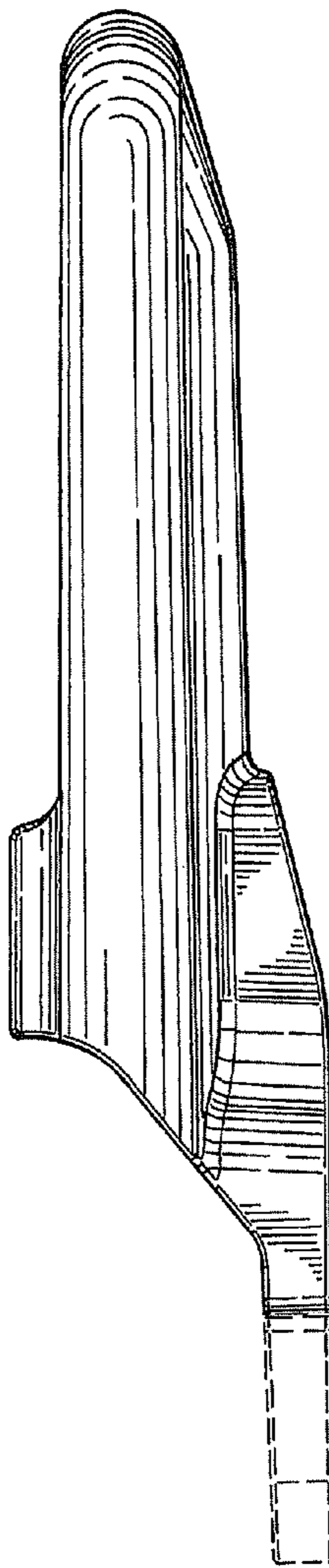


FIG. 3

**FIG. 4**



**FIG. 5**



**FIG. 6**

