

US00D664456S

(12) **United States Design Patent**
Trine et al.

(10) **Patent No.:** **US D664,456 S**
(45) **Date of Patent:** **** Jul. 31, 2012**

(54) **OCCUPANCY SENSOR**

(75) Inventors: **David R. Trine**, Portland, OR (US); **Joel Van Faasen**, Holland, MI (US)

(73) Assignee: **Leviton Manufacturing Co., Inc.**, Melville, NY (US)

(**) Term: **14 Years**

(21) Appl. No.: **29/402,087**

(22) Filed: **Sep. 20, 2011**

Related U.S. Application Data

(62) Division of application No. 29/354,917, filed on Jan. 29, 2010, now Pat. No. Des. 647,413.

(51) **LOC (9) Cl.** **10-04**

(52) **U.S. Cl.** **D10/70**

(58) **Field of Classification Search** D10/70,
D10/104, 106.6; 250/221, 338.3, 340; 307/116,
307/117; 340/521, 527, 541, 567

See application file for complete search history.

(56) **References Cited**

U.S. PATENT DOCUMENTS

D401,175 S	11/1998	Bender et al.	
D404,325 S	1/1999	Bender et al.	
D404,326 S	1/1999	Bender et al.	
6,222,191 B1	4/2001	Myron et al.	
D561,630 S	2/2008	Bandringa et al.	
D567,121 S *	4/2008	Zhang et al.	D10/69
D573,053 S	7/2008	Bandringa et al.	
7,411,489 B1	8/2008	Elwell et al.	
D588,484 S	3/2009	Bandringa et al.	
D597,430 S	8/2009	Sloan et al.	
D603,284 S	11/2009	Sloan et al.	
7,800,049 B2	9/2010	Bandringa et al.	

OTHER PUBLICATIONS

Leviton Mfg. Co., Inc., "Occupancy Sensors—Multi-Technology Ceiling-Mount Occupancy Sensors," Jan. 28, 2010, 3 pages.

Leviton Mfg. Co., Inc., "Passive Infrared Ceiling Occupancy Sensor," Product Data, Jan. 28, 2010, 2 pages.

Leviton Mfg. Co., Inc., "Occupancy Sensor Multi-Technology Ceiling Sensor," Jan. 28, 2010, 4 pages.

Leviton Mfg. Co., Inc., "Wireless Infrared Occupancy Sensors—Wireless Passive Infrared (PIR) sensor for use with the WSS10 Wireless Wall Switch Receiver and WSS0S Wireless Self-Powered Remote Switch," 2008, 2 pages.

* cited by examiner

Primary Examiner — Antoine D Davis

(74) *Attorney, Agent, or Firm* — Marger Johnson & McCollom PC

(57) **CLAIM**

The ornamental design for an occupancy sensor, as shown and described.

DESCRIPTION

A portion of the disclosure of this patent document contains material which is subject to copyright protection. The copyright owner has no objection to the facsimile reproduction by anyone of the patent disclosure, as it appears in the Patent and Trademark Office patent files or records, but otherwise reserves all copyright rights whatsoever.

FIG. 1 is a perspective view of an design for an occupancy sensor;

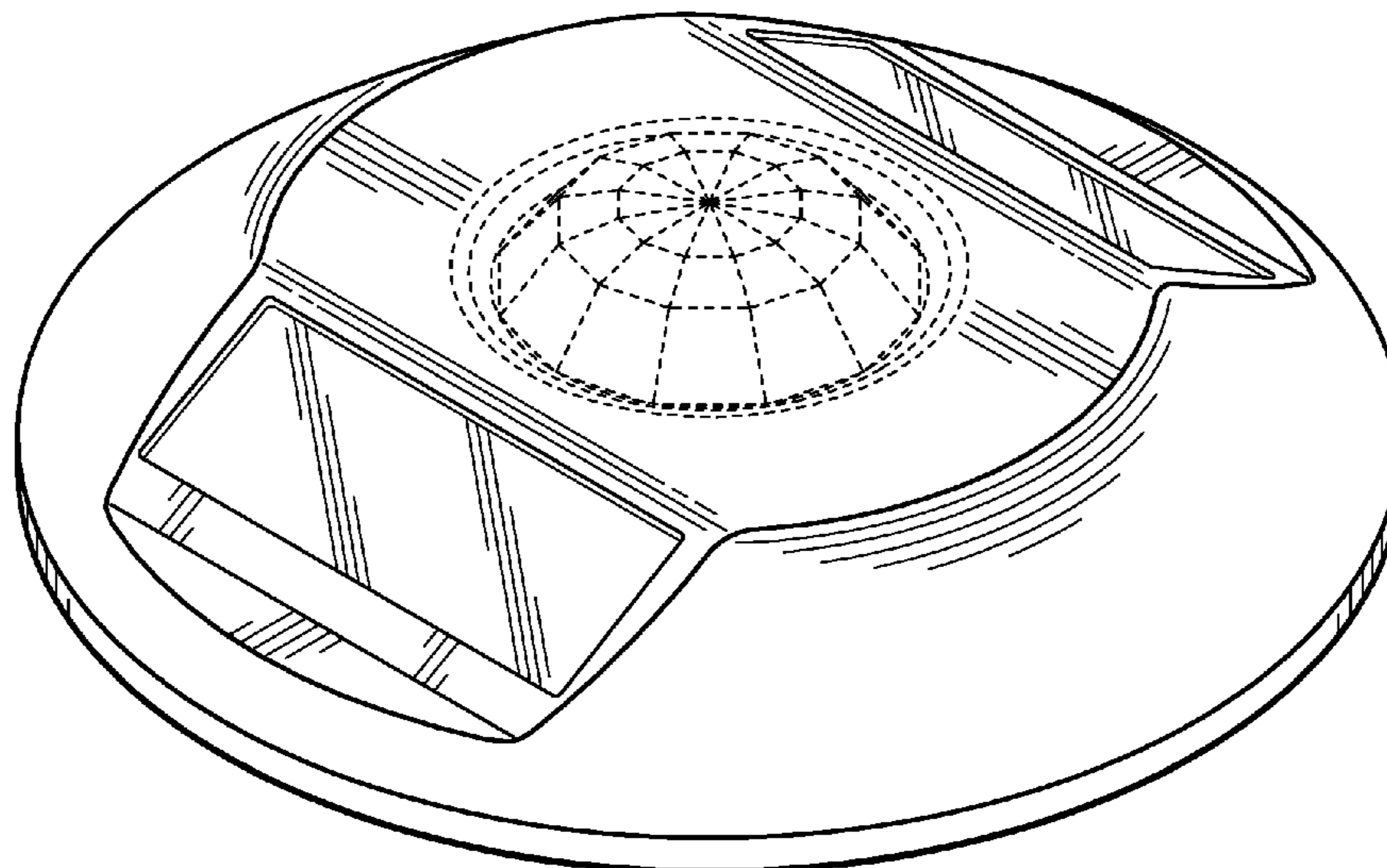
FIG. 2 is a left side elevation view thereof;

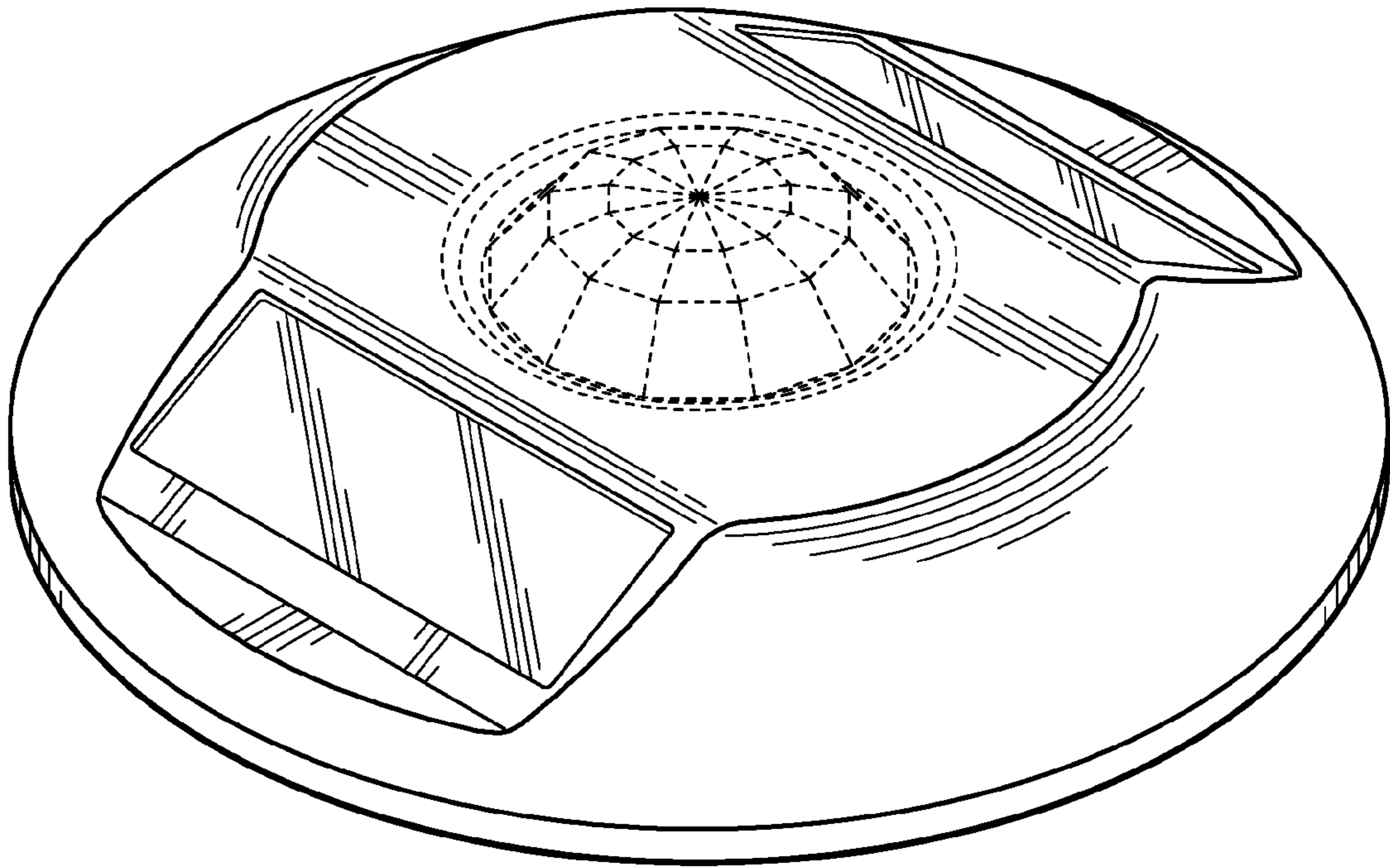
FIG. 3 is a front elevation view thereof; and,

FIG. 4 is a top plan view thereof.

The dashed lines in the figures illustrate environment only and form no part of the claimed design.

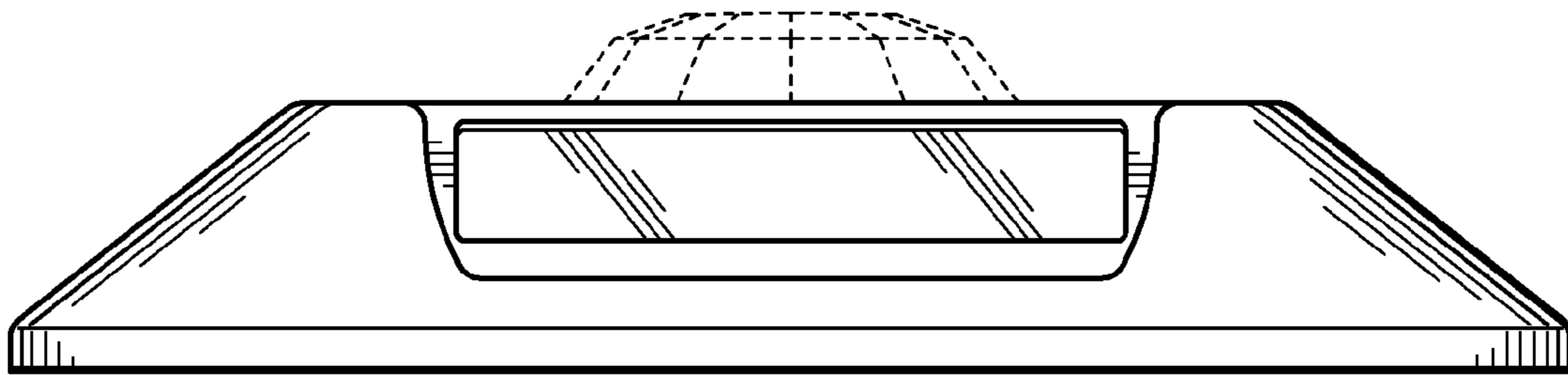
1 Claim, 2 Drawing Sheets





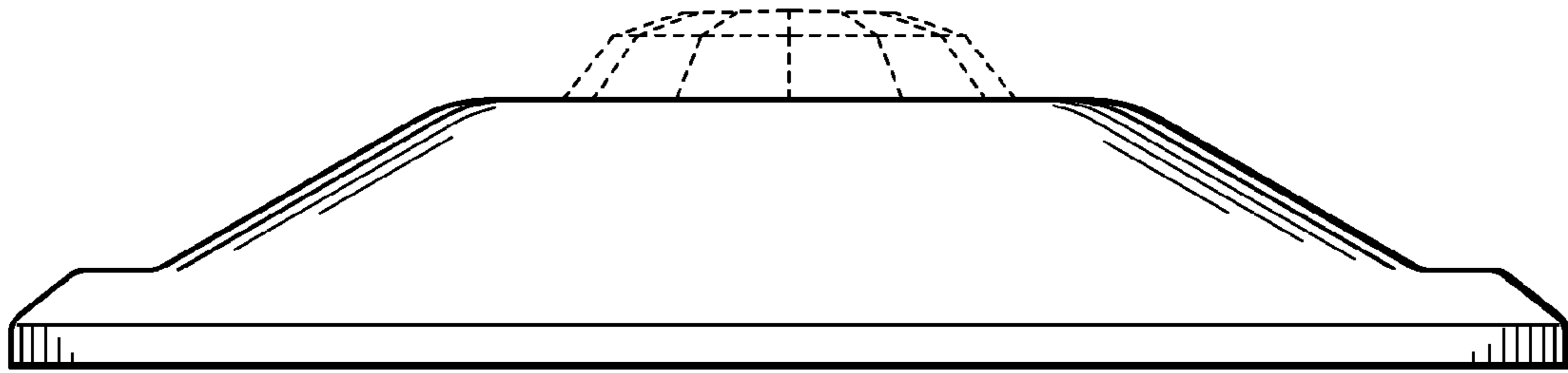
Copyright 2011 Leviton Manufacturing Co., Inc.

FIG. 1



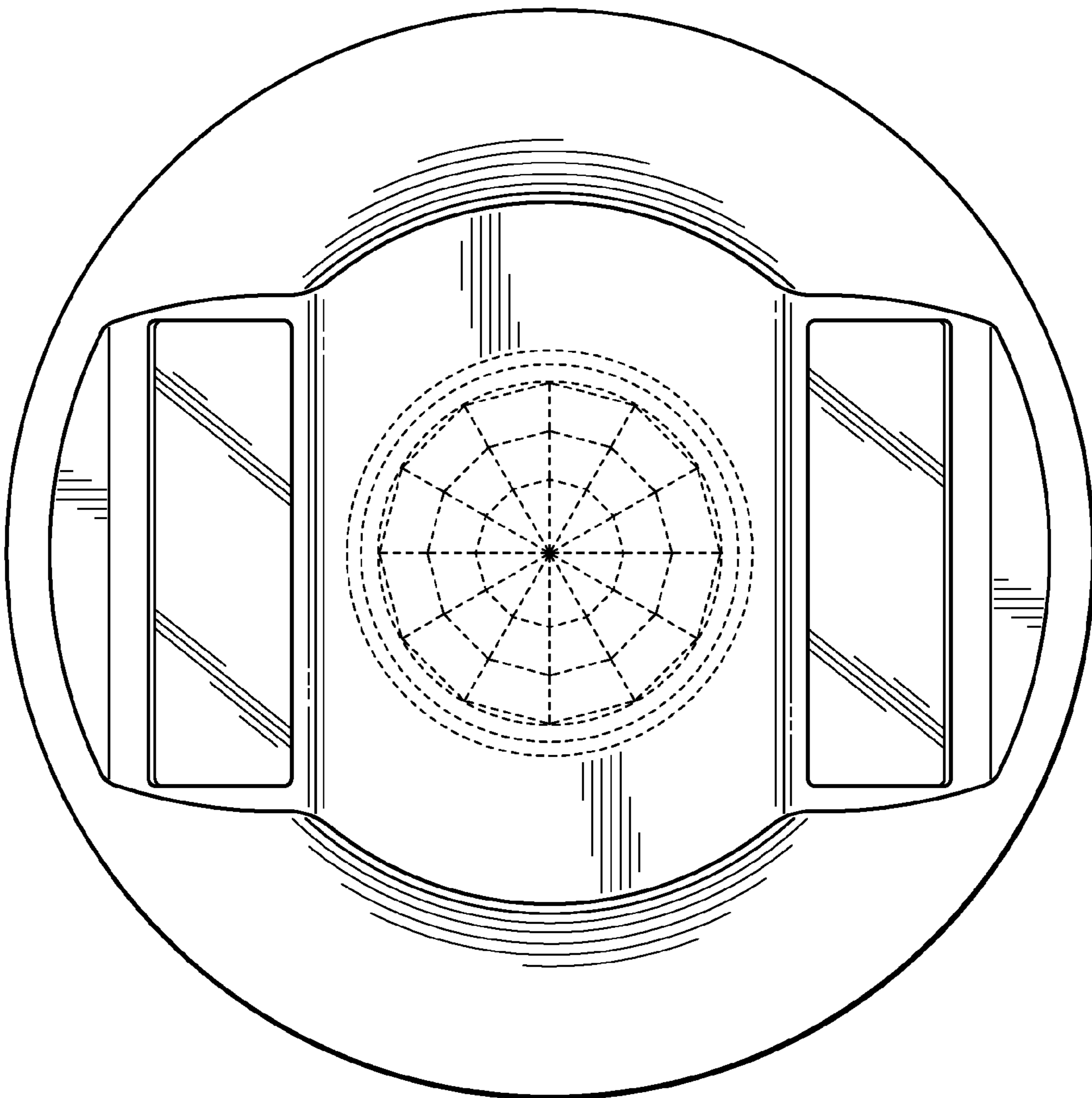
Copyright 2011 Leviton Manufacturing Co., Inc.

FIG. 2



Copyright 2011 Leviton Manufacturing Co., Inc.

FIG.3



Copyright 2011 Leviton Manufacturing Co., Inc.

FIG.4