



US00D664455S

(12) **United States Design Patent**
Driver

(10) **Patent No.:** **US D664,455 S**

(45) **Date of Patent:** **** Jul. 31, 2012**

(54) **MEASURING INSTRUMENT**

(75) Inventor: **John Driver**, Braunstone Town (GB)

(73) Assignee: **Newall Measurement Systems Limited**,
South Wigston, Leicestershire (GB)

(**) Term: **14 Years**

(21) Appl. No.: **29/363,067**

(22) Filed: **Jun. 4, 2010**

(30) **Foreign Application Priority Data**

May 14, 2010 (GB) 001215222

(51) **LOC (9) Cl.** **10-04**

(52) **U.S. Cl.** **D10/65; D10/70**

(58) **Field of Classification Search** D10/65,
D10/70; D15/148-149; 33/482, 655, 702,
33/704, 706, 707, 708, DIG. 19; 250/231.14,
250/237 G, 550, 231.16, 214.1; 277/245,
277/910; 310/12.24, 68 B, 12.19; 318/135,
318/653, 687; 324/207.21, 207.24; 356/614,
356/499

See application file for complete search history.

(56) **References Cited**

U.S. PATENT DOCUMENTS

6,181,423 B1 * 1/2001 Uriarte 356/614

* cited by examiner

Primary Examiner — Antoine D Davis

(74) *Attorney, Agent, or Firm* — Luedeka Neely Group, P.C.

(57) **CLAIM**

The ornamental design of a measuring instrument, as shown and described.

DESCRIPTION

FIGS. 1 and 2 are lower perspective views of the measuring instrument of my new design;

FIG. 3 is a top plan view of the measuring instrument of my new design;

FIG. 4 is a right side view of the measuring instrument of my new design;

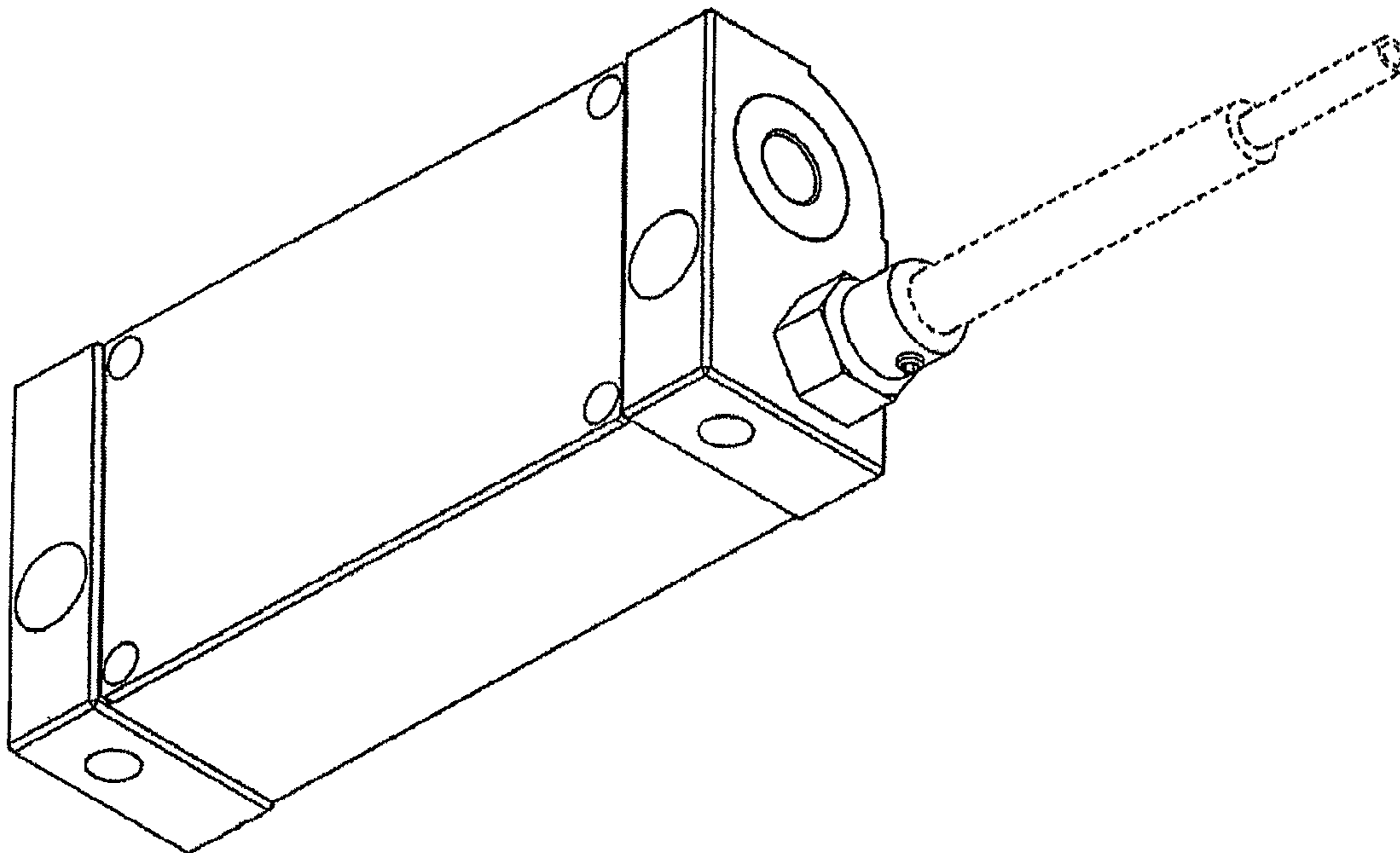
FIG. 5 is a bottom plan view of the measuring instrument of my new design;

FIG. 6 is a front end view of the measuring instrument of my new design; and,

FIG. 7 is a rear end view of the measuring instrument of my new design.

The broken line portions of the drawings are included for the purpose of context and illustrate unclaimed structure and form no part of the claimed design.

1 Claim, 4 Drawing Sheets



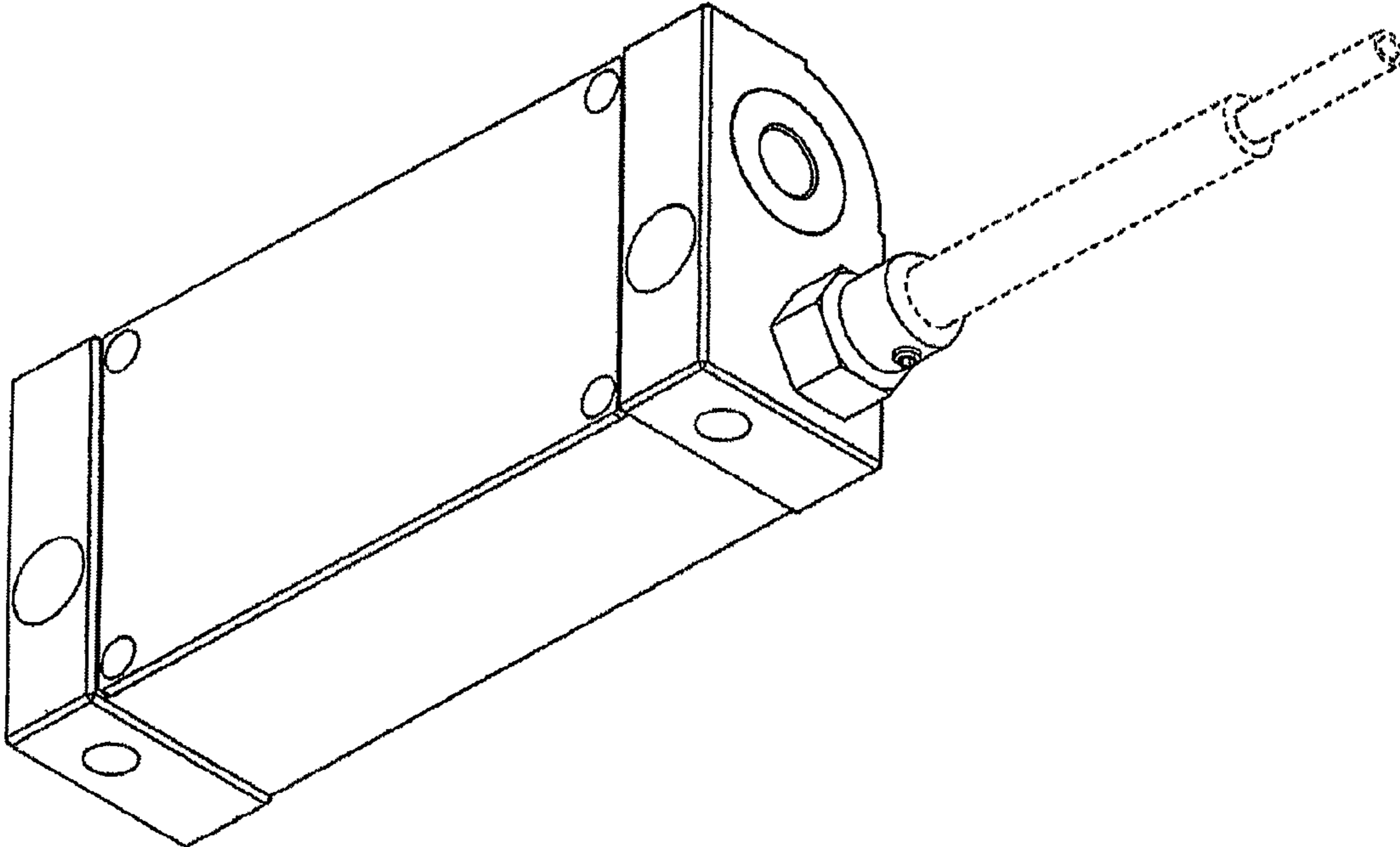


FIG. 1

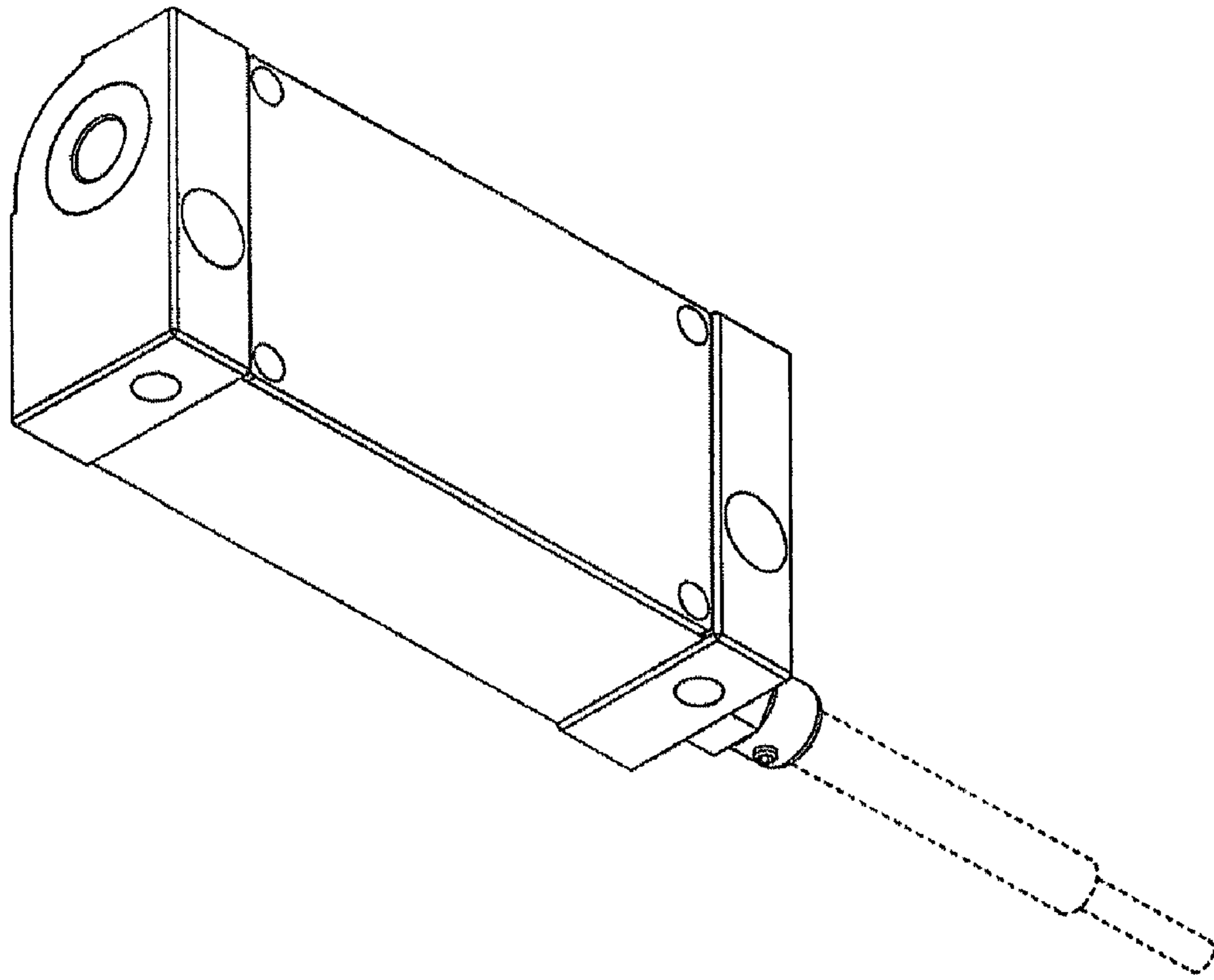


FIG. 2

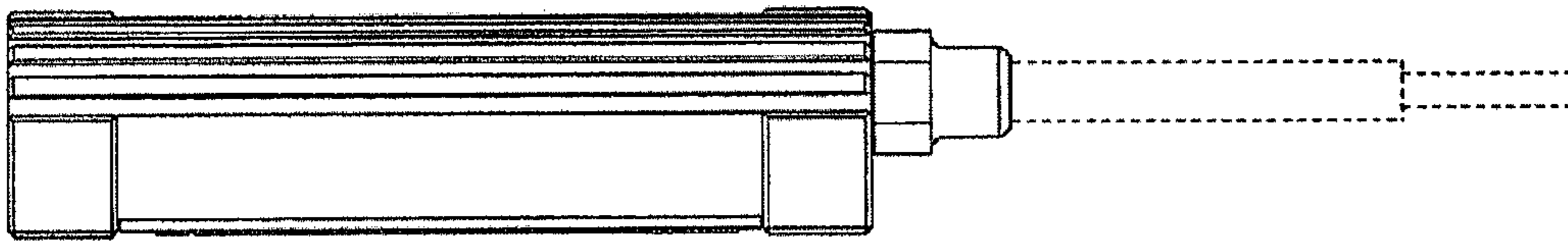


FIG. 3

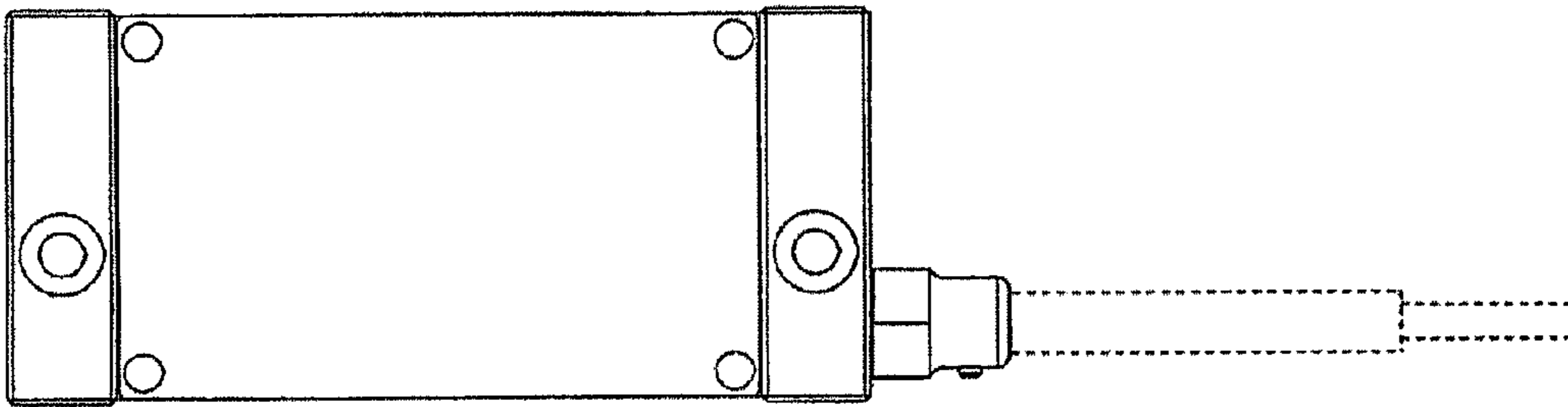


FIG. 4

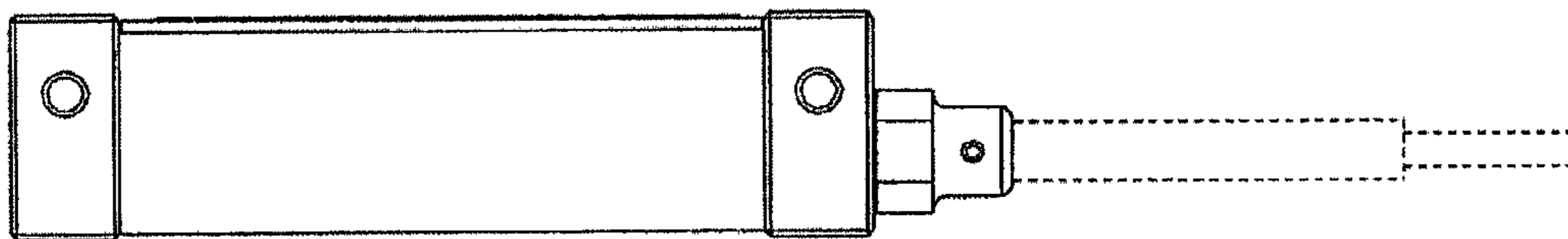


FIG. 5

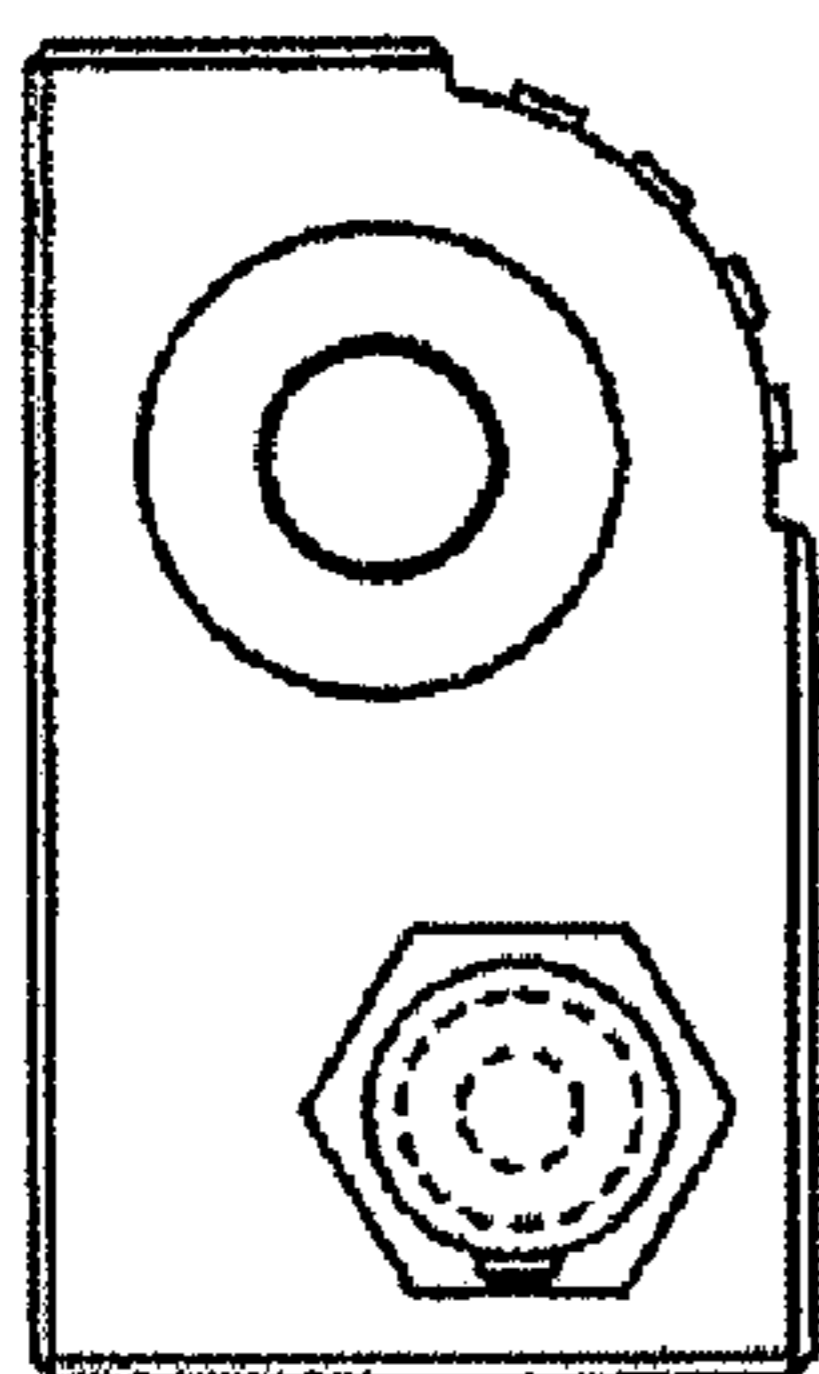


FIG. 6

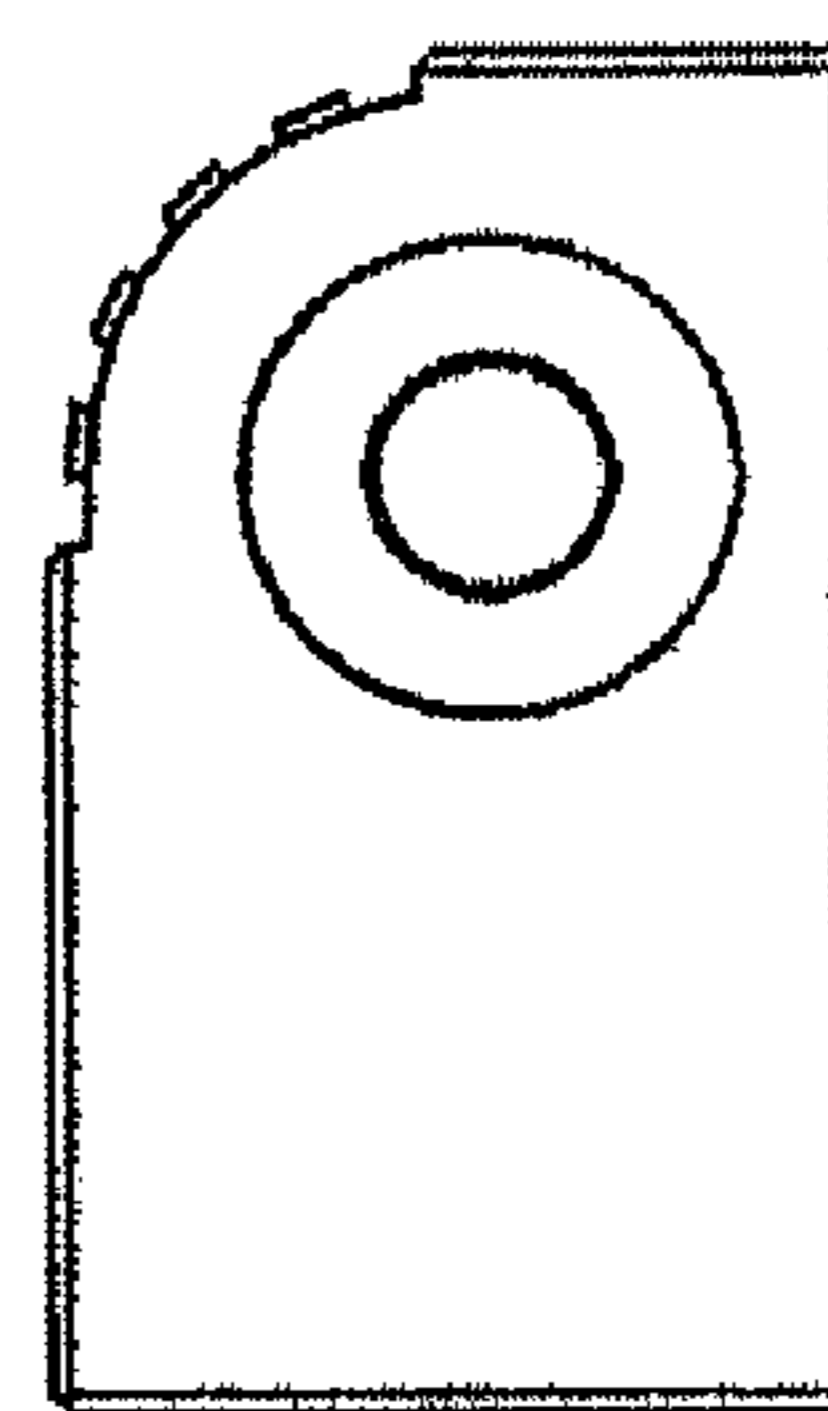


FIG. 7