



US00D664453S

(12) **United States Design Patent**
Roddy

(10) **Patent No.:** **US D664,453 S**

(45) **Date of Patent:** **** Jul. 31, 2012**

(54) **CONTROL PANEL**

(75) Inventor: **Ivor Roddy**, Dundalk (IE)

(73) Assignee: **Climote Limited**, Dundalk, County Louth (IE)

(**) Term: **14 Years**

(21) Appl. No.: **29/404,053**

(22) Filed: **Oct. 14, 2011**

(30) **Foreign Application Priority Data**

Apr. 14, 2011 (EP) 001851296-0001

(51) **LOC (9) Cl.** **10-04**

(52) **U.S. Cl.** **D10/50**

(58) **Field of Classification Search** D10/49-50;
D13/162; 55/270, 274, 279, DIG. 7, 34;
62/176.6, 125-130, 78, 180, 186; 73/23.2,
73/23.34, 31.01, 31.02, 431, 170.16-170.19,
73/170.21-170.25, 863.12, 29, 29.02, 335.01-335.14;
236/46 R, 47, 94, 44 C, 44 R, 49.3, 44 A,
236/96; 337/112, 327, 360; 340/602, 627,
340/632, 634; 361/346; 364/141, 146, 147,
364/188, 420, 557; 454/229, 239, 256, 257,
454/258; 700/18, 159, 181

See application file for complete search history.

(56) **References Cited**

U.S. PATENT DOCUMENTS

D507,976 S * 8/2005 Roher et al. D10/50

* cited by examiner

Primary Examiner — Antoine D Davis

(74) *Attorney, Agent, or Firm* — Verrill Dana, LLP; Chris A. Caseiro

(57) **CLAIM**

I claim the ornamental design for a control panel, as shown and described.

DESCRIPTION

FIG. 1 is a perspective front view of my new design of a control panel;

FIG. 2 is a front view of the control panel;

FIG. 3 is a rear view of the control panel;

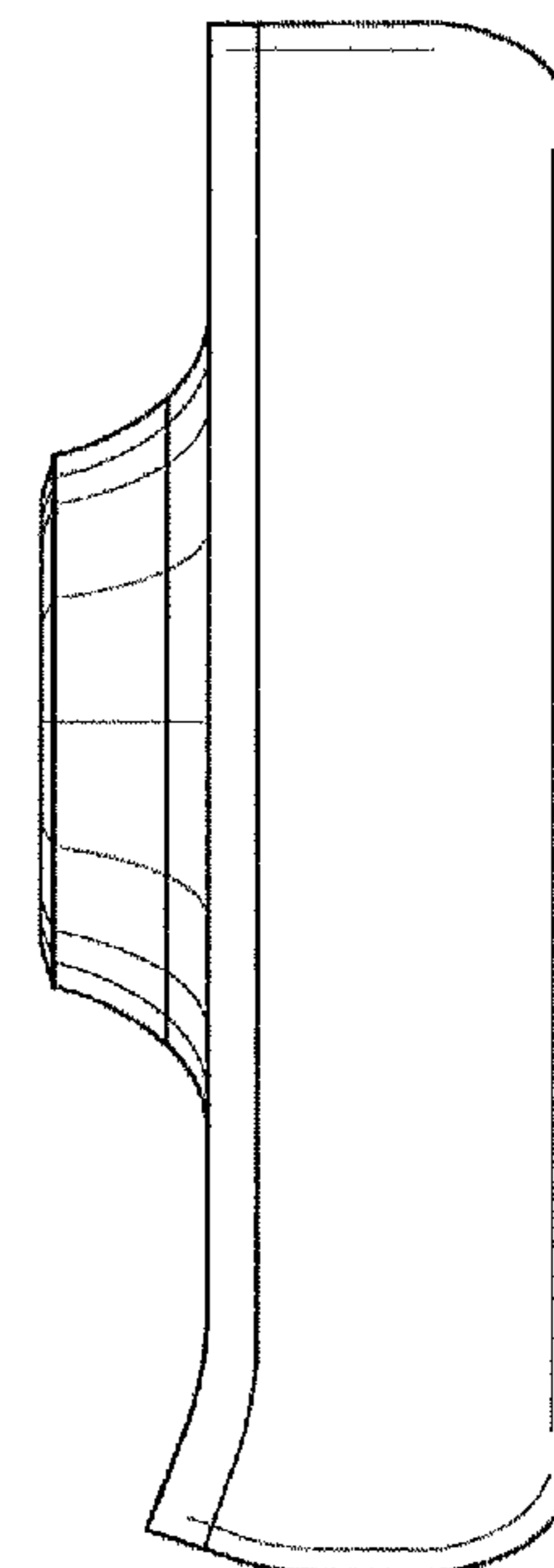
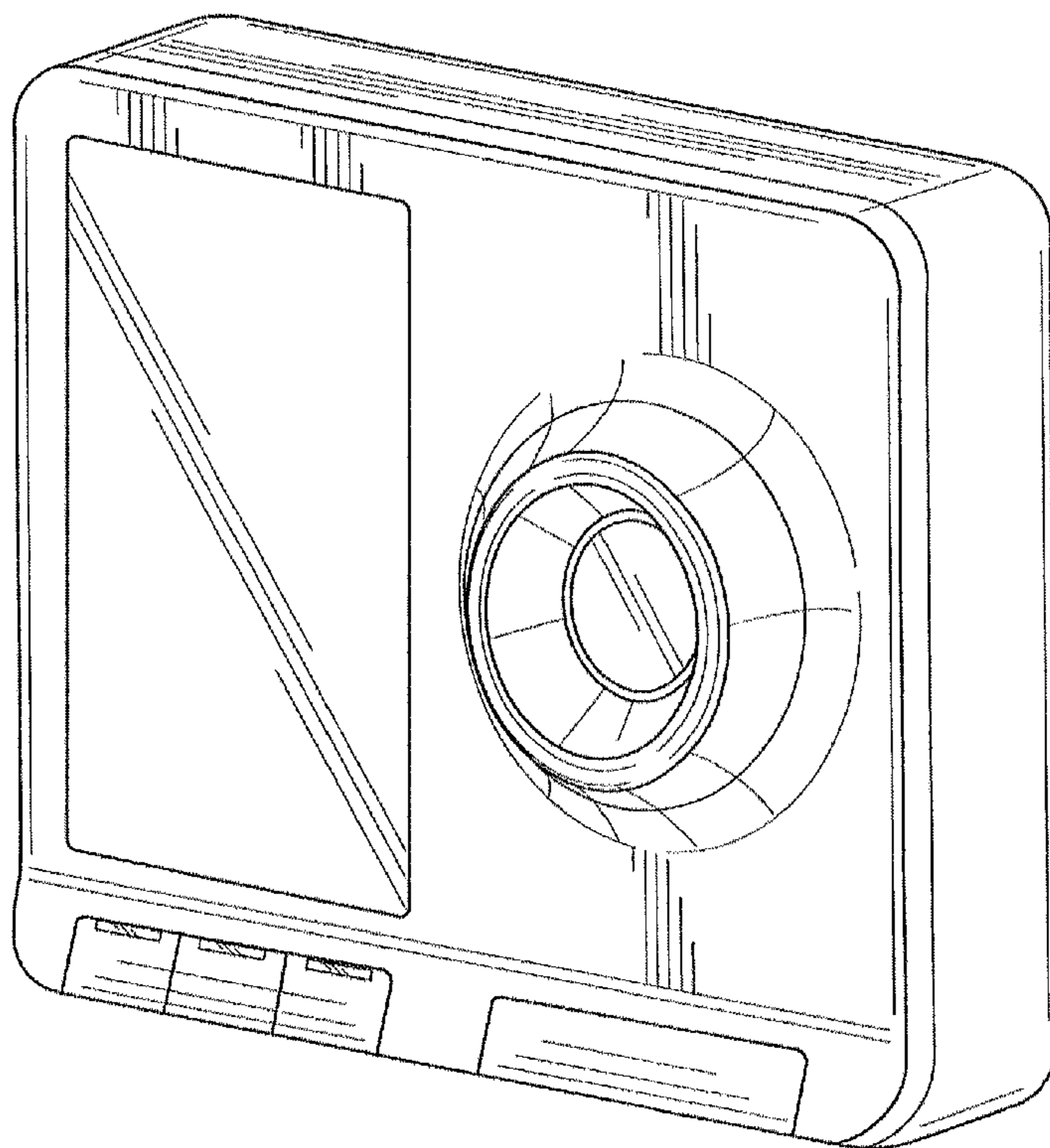
FIG. 4 is a right side view of the control panel;

FIG. 5 is a left side view of the control panel;

FIG. 6 is a top view of the control panel; and,

FIG. 7 is a bottom view of the control panel.

1 Claim, 5 Drawing Sheets



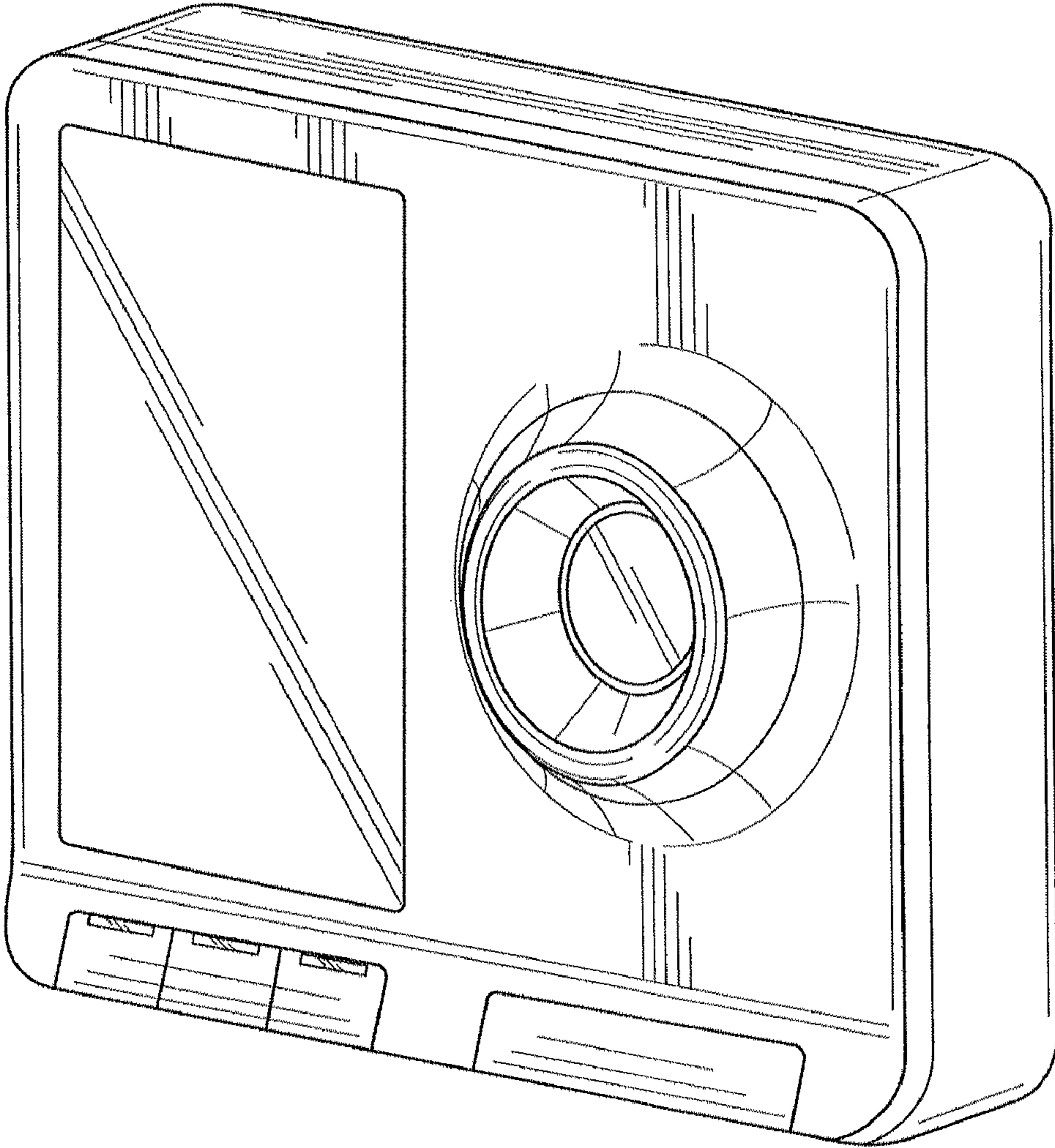


FIG. 1

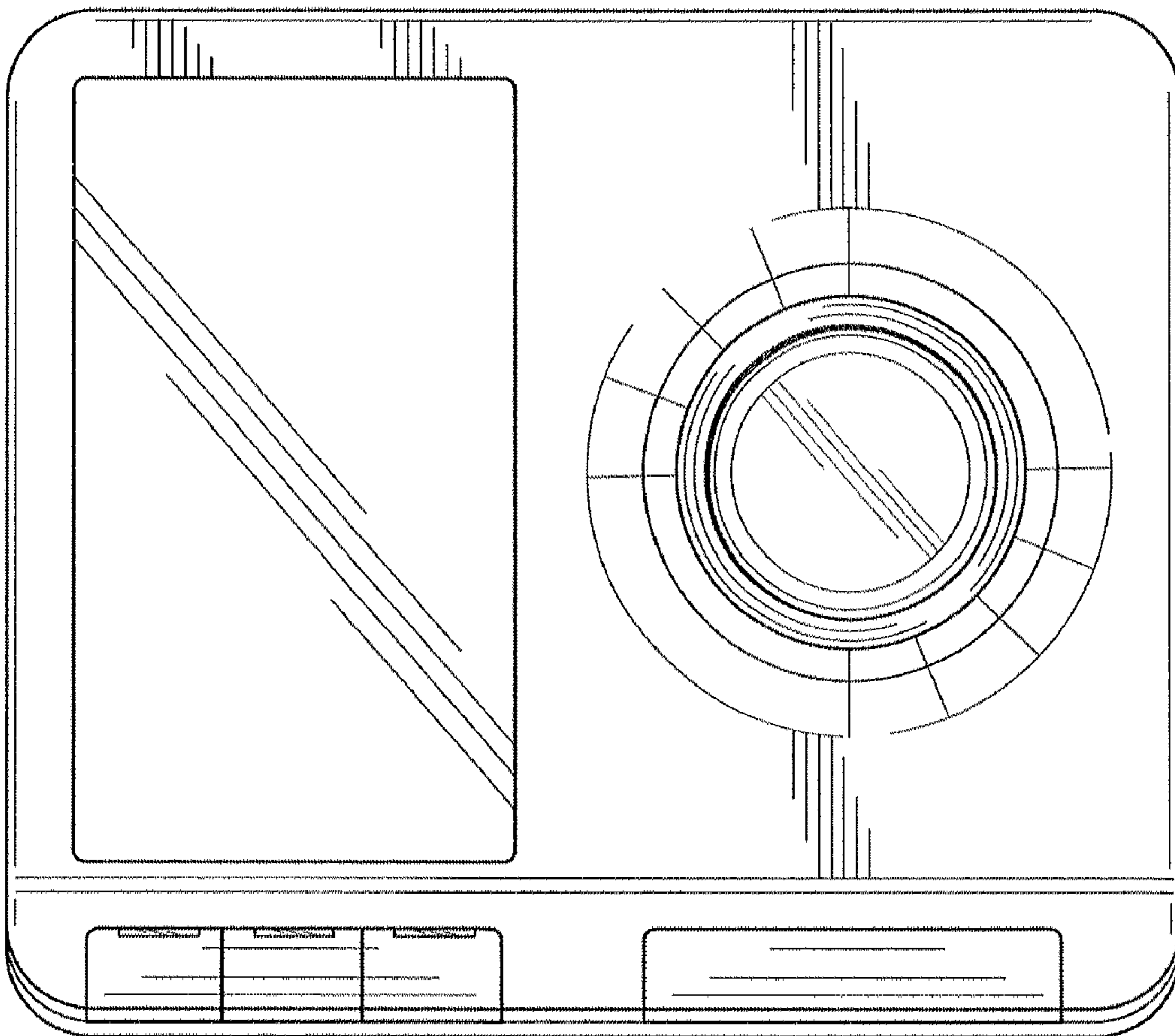


FIG. 2

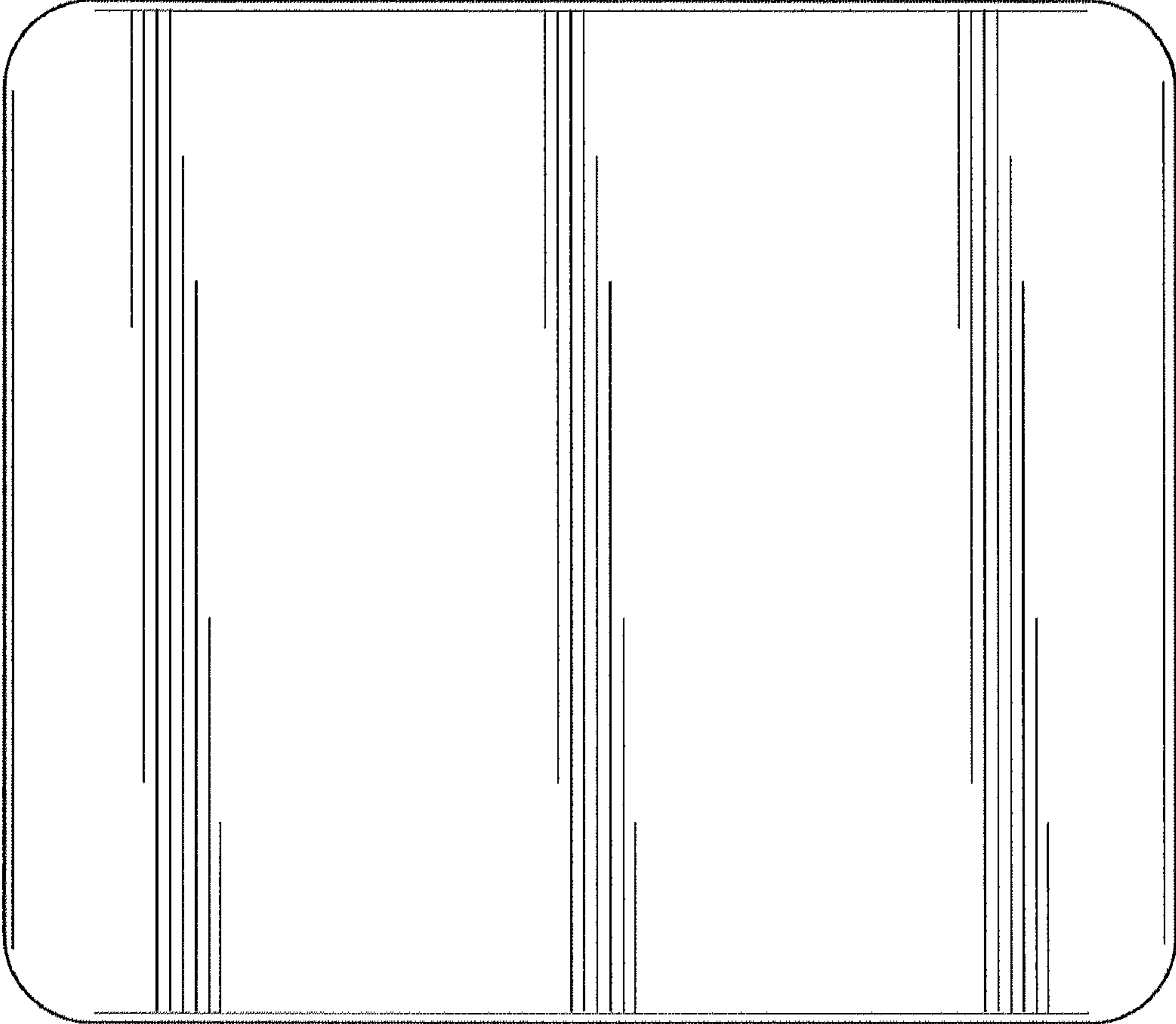


FIG. 3

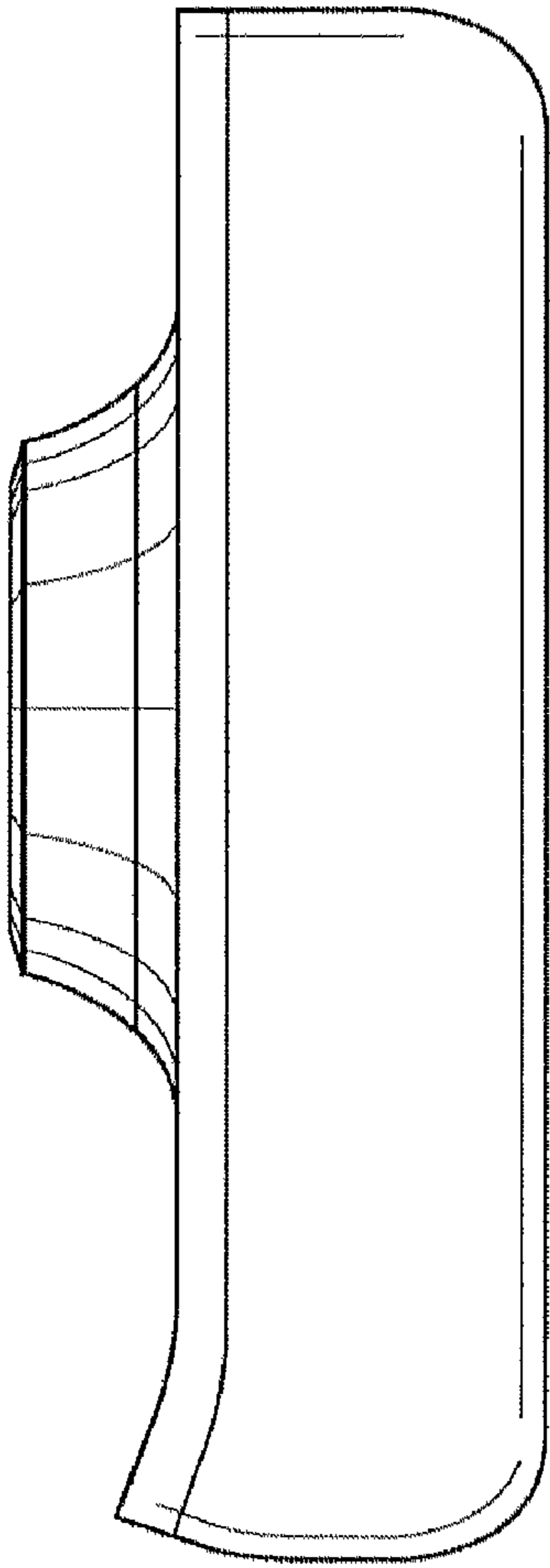


FIG. 4



FIG. 5

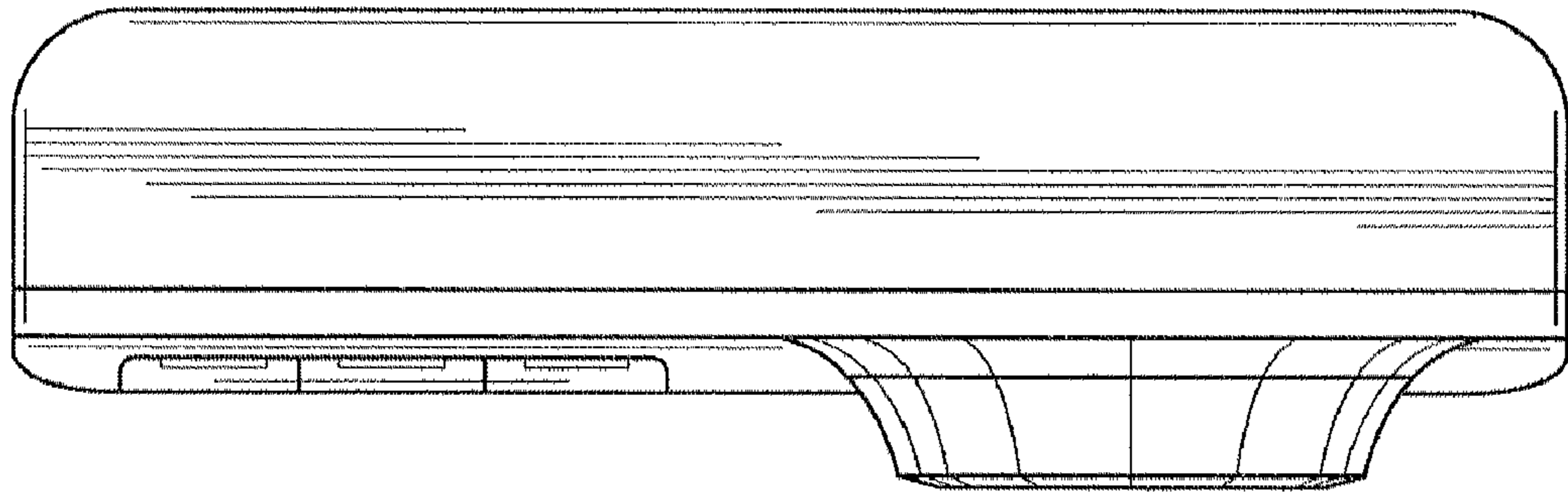


FIG. 6

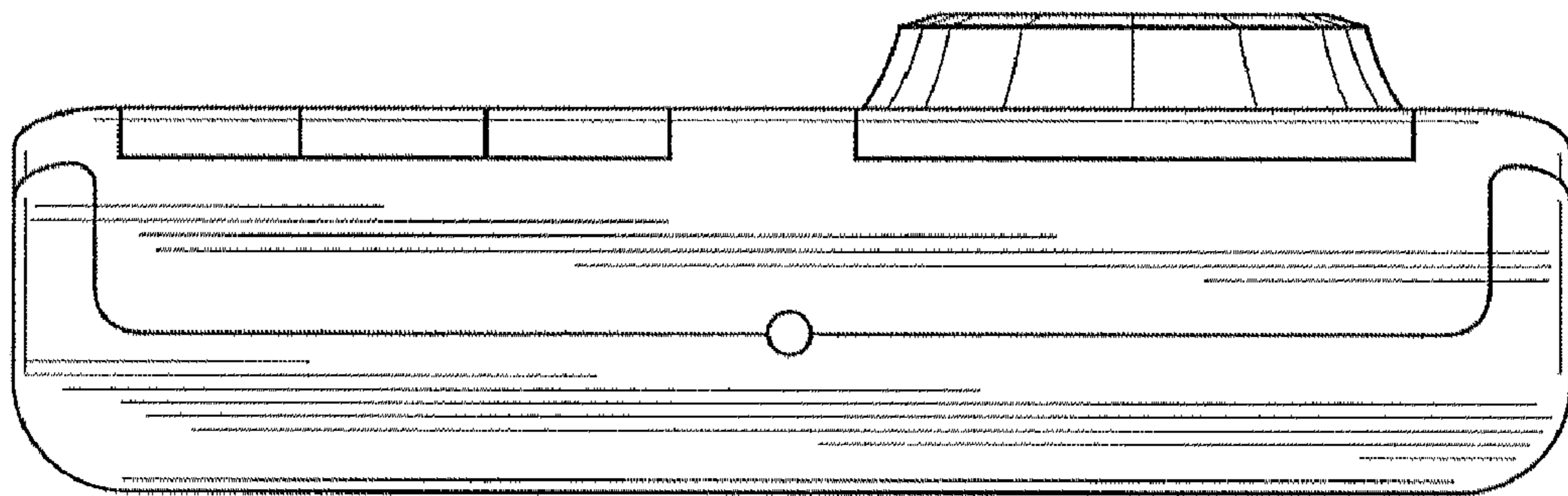


FIG. 7