



US00D664451S

(12) **United States Design Patent**
Jilderos

(10) **Patent No.:** **US D664,451 S**
(45) **Date of Patent:** **** Jul. 31, 2012**

(54) **TRANSMITTER AND RECEIVER FOR CONTROLLING SIGNALS IN A HYDRONIC SYSTEM**

Primary Examiner — Antoine D Davis
(74) *Attorney, Agent, or Firm* — Davis & Bujold, P.L.L.C.

(75) Inventor: **Daniel Jilderos**, Bramhult (SE)

(57) **CLAIM**
The ornamental design for a transmitter and receiver for controlling signals in a hydronic system, as shown and described.

(73) Assignee: **Tour & Andersson AB**, Ljung (SE)

(**) Term: **14 Years**

DESCRIPTION

(21) Appl. No.: **29/390,196**

FIG. 1 is a perspective view from above showing my new design;
FIG. 2 is a perspective view from below of the transmitter and receiver shown in FIG. 1;
FIG. 3 is a view from the front of the transmitter and receiver shown in FIG. 1;
FIG. 4 is a rear view of the transmitter and receiver shown in FIG. 1;
FIG. 5 is a side view from one side of the transmitter and receiver shown in FIG. 1;
FIG. 6 is a side view from the other side of the transmitter and receiver shown in FIG. 1;
FIG. 7 is a top plan view of the transmitter and receiver shown in FIG. 1; and,
FIG. 8 is a bottom plan view of the transmitter and receiver shown in FIG. 1.

(22) Filed: **Apr. 21, 2011**

(51) **LOC (9) Cl.** **10-04**

(52) **U.S. Cl.** **D10/49**

(58) **Field of Classification Search** D10/49;
700/155, 177, 303, 282, 18, 181, 182, 281,
700/277, 278; D14/155, 168, 188
See application file for complete search history.

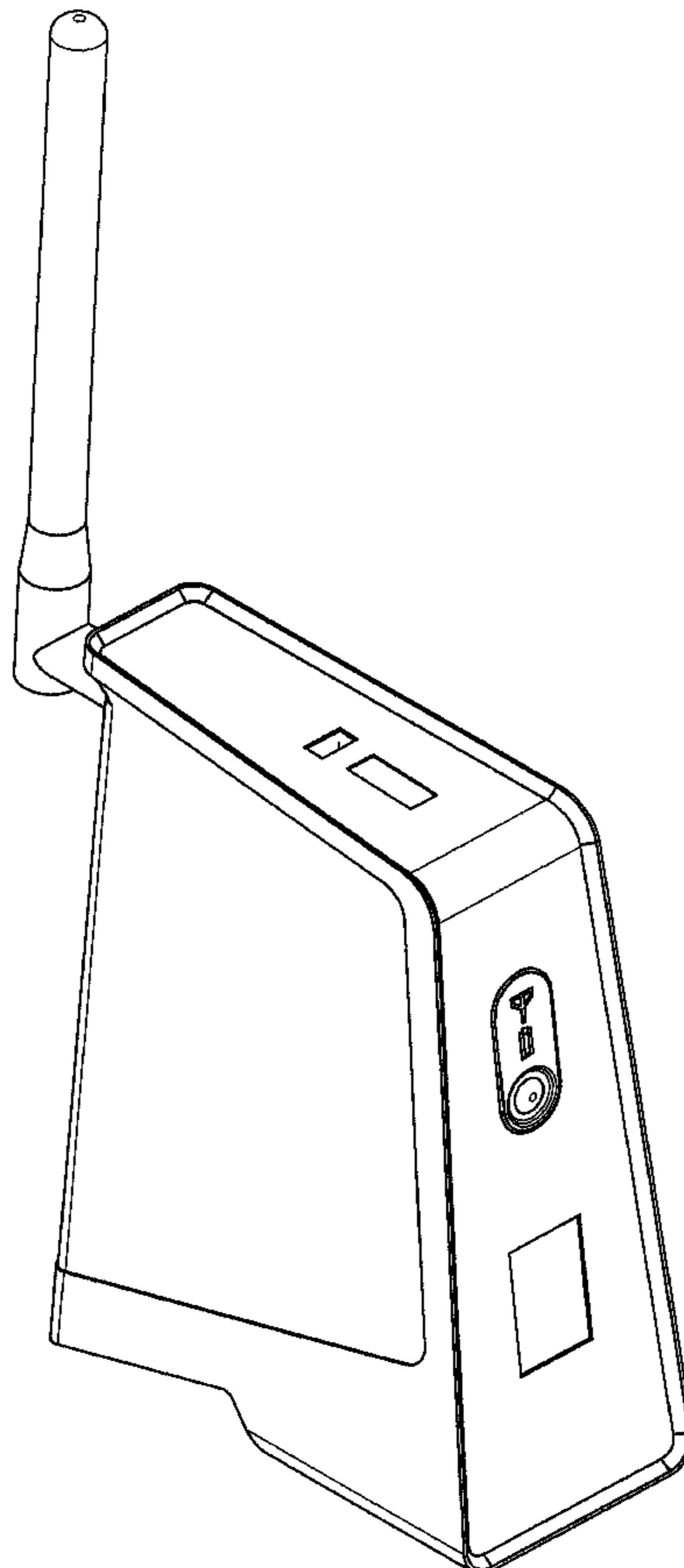
(56) **References Cited**

U.S. PATENT DOCUMENTS

D325,578 S *	4/1992	Daido et al.	D14/155
D330,336 S *	10/1992	Baarman	D10/49
D510,734 S *	10/2005	Christianson	D14/155
D607,348 S *	1/2010	Hosoda et al.	D10/49

* cited by examiner

1 Claim, 8 Drawing Sheets



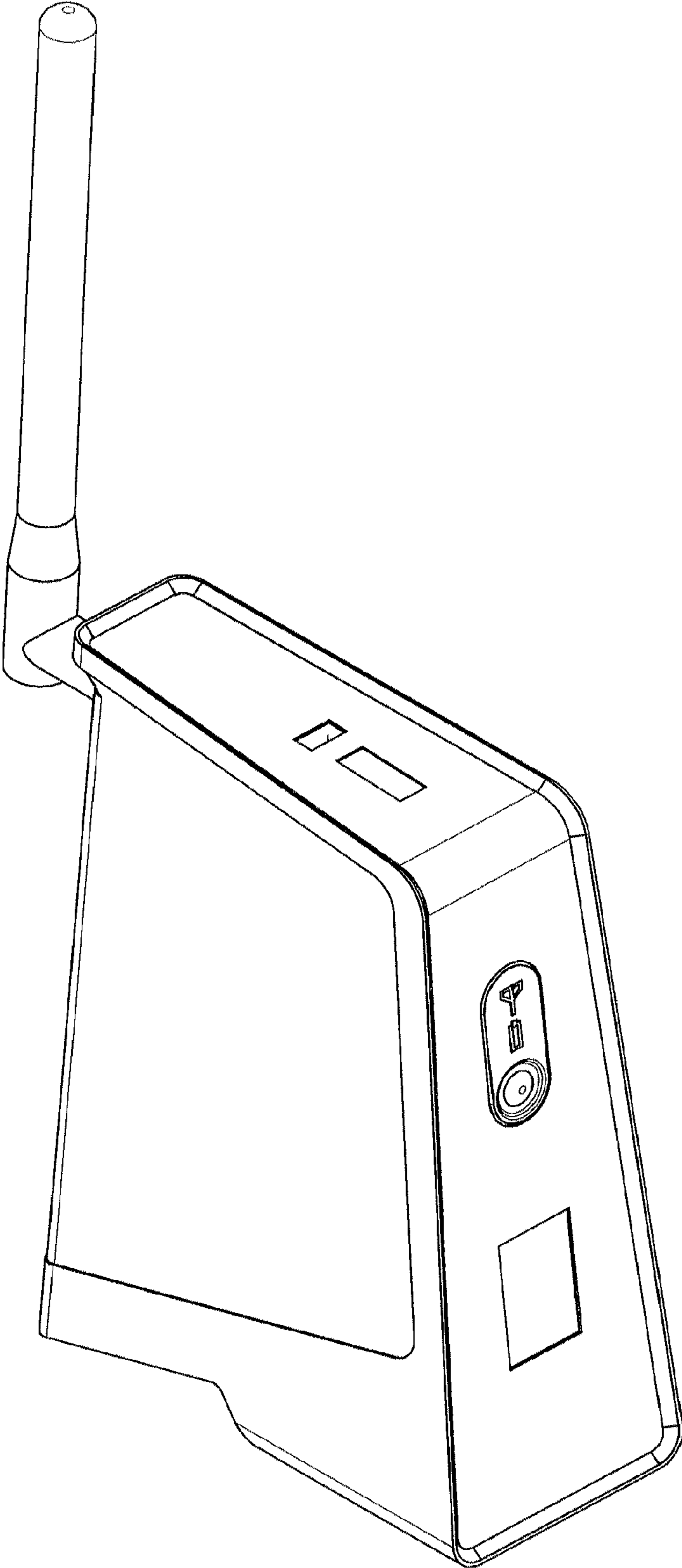


Fig. 1

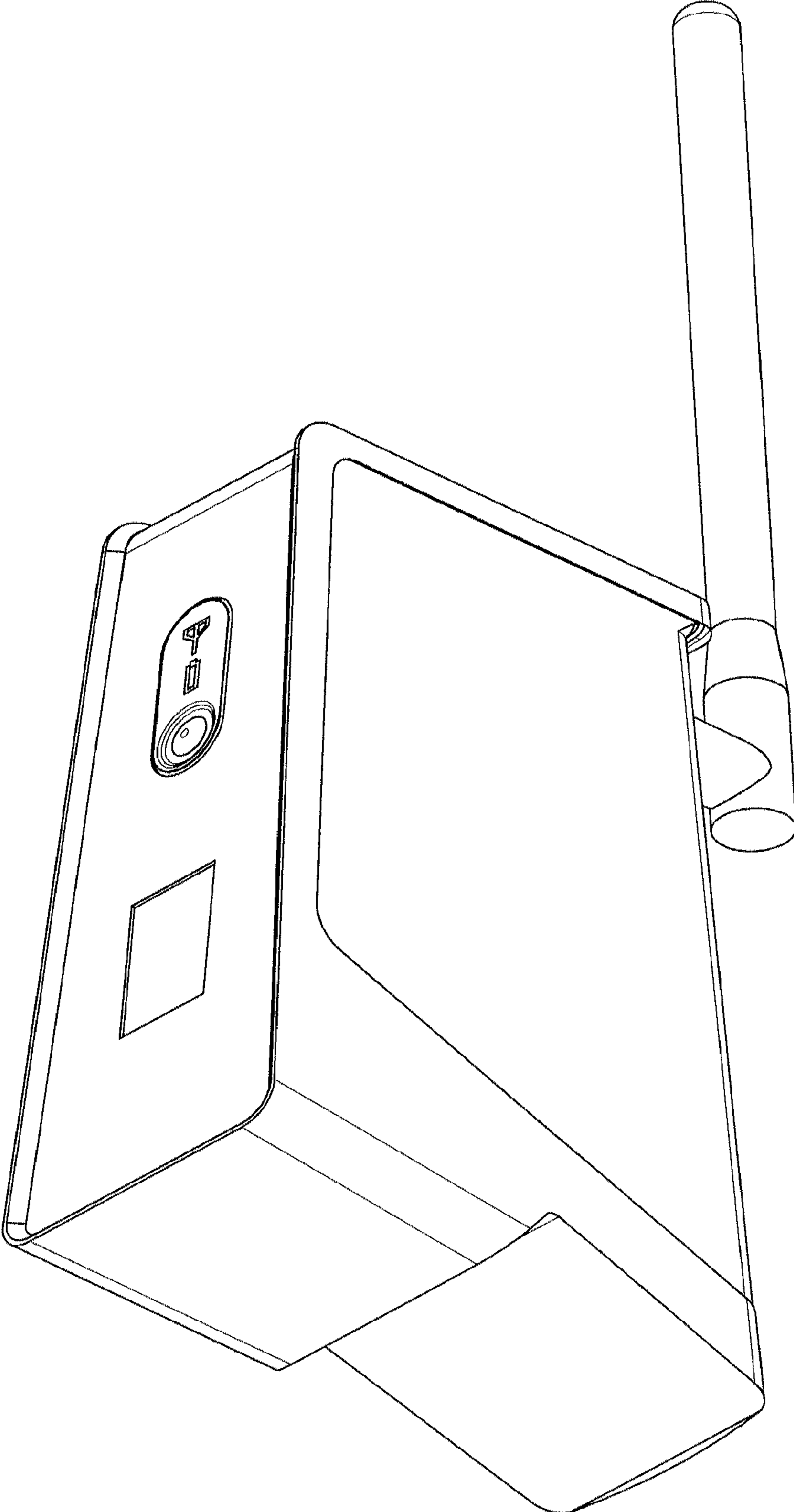


Fig. 2

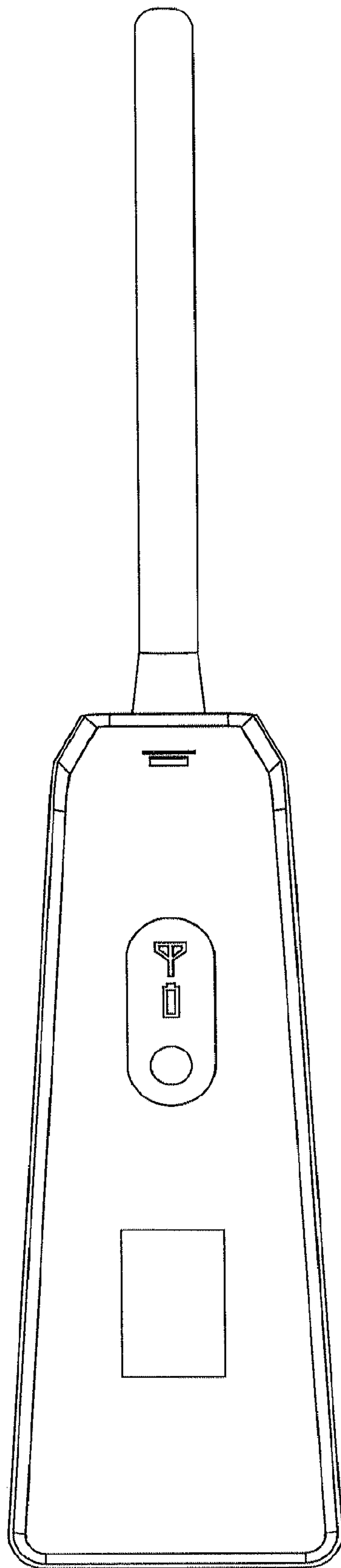


Fig. 3

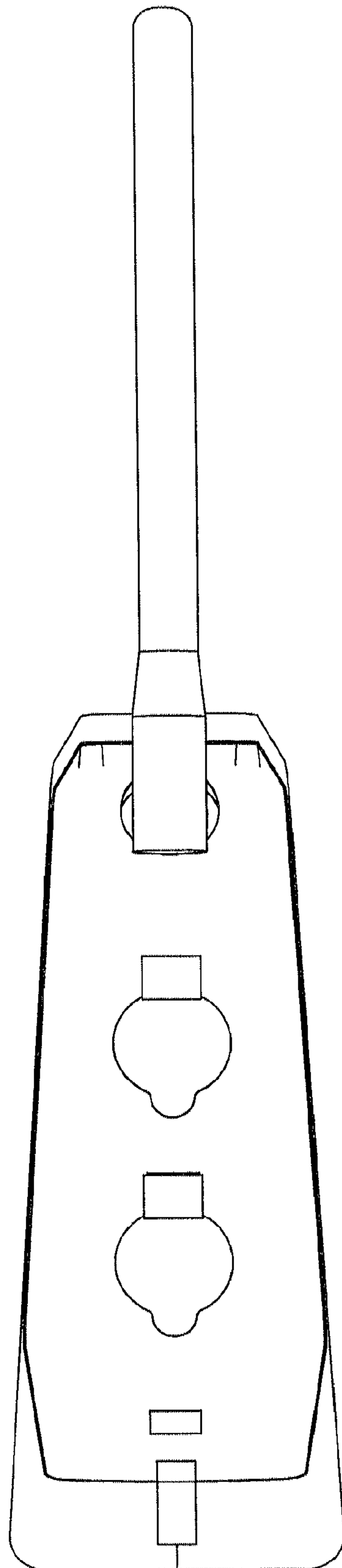


Fig. 4

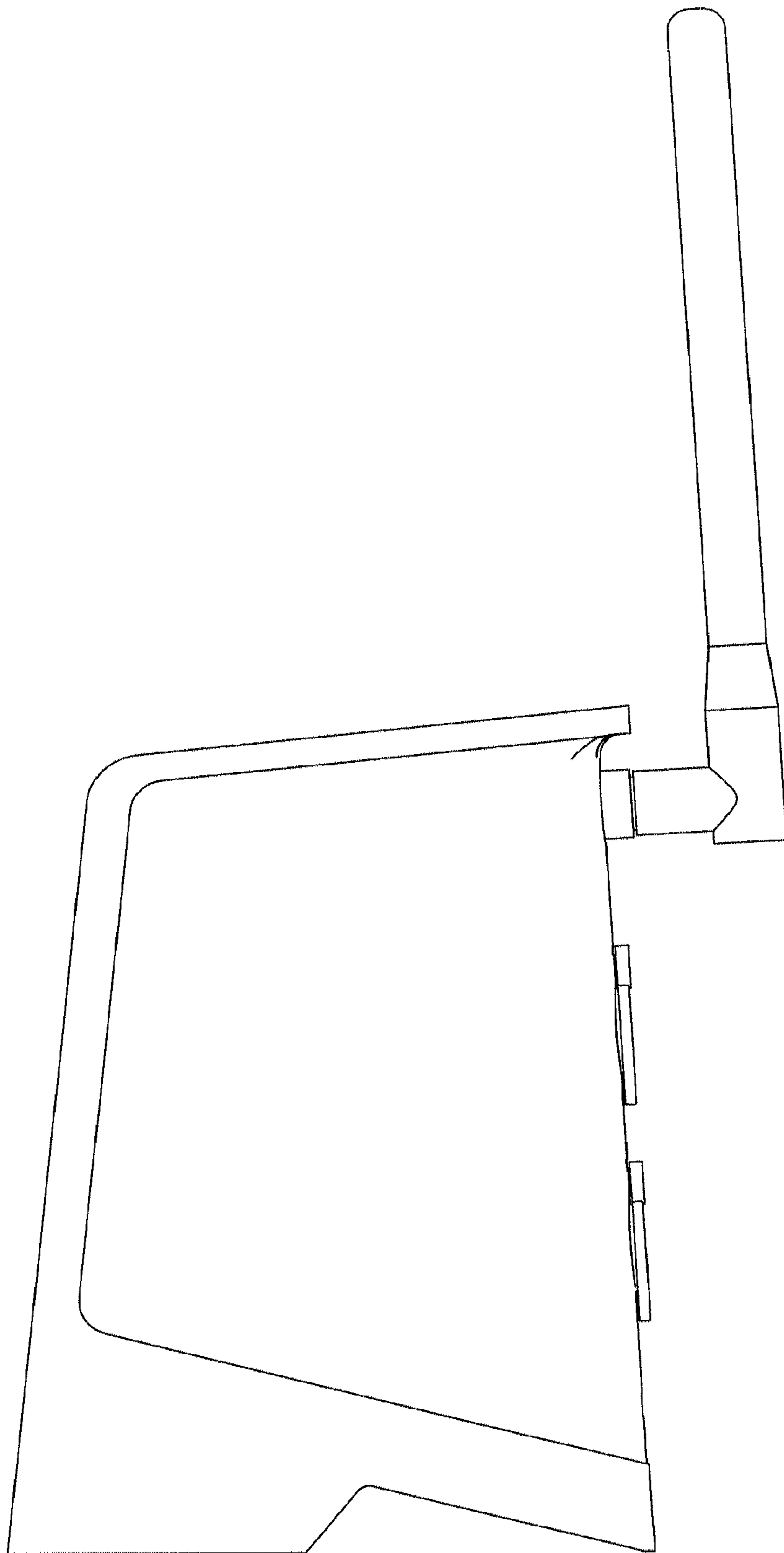


Fig. 5

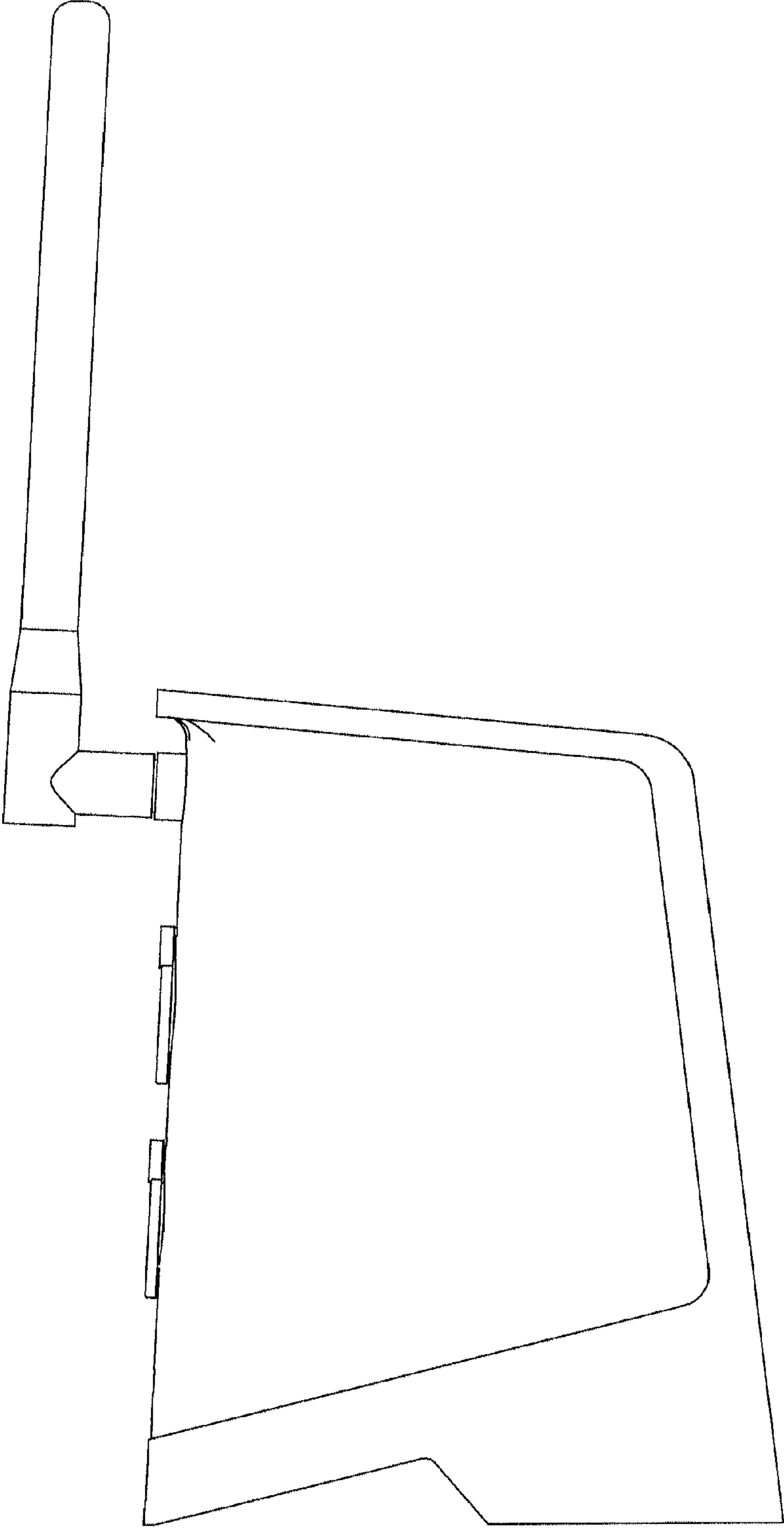


Fig. 6

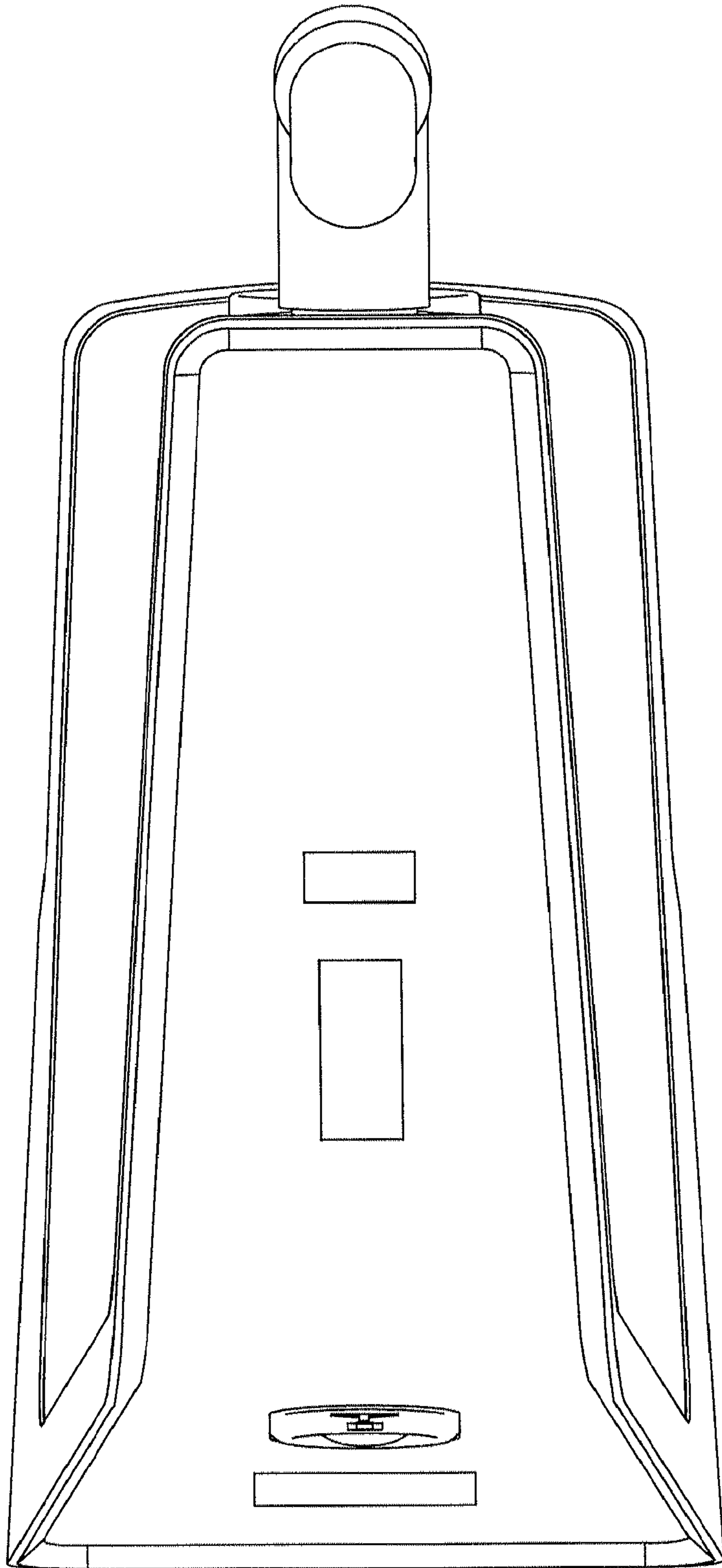


Fig. 7

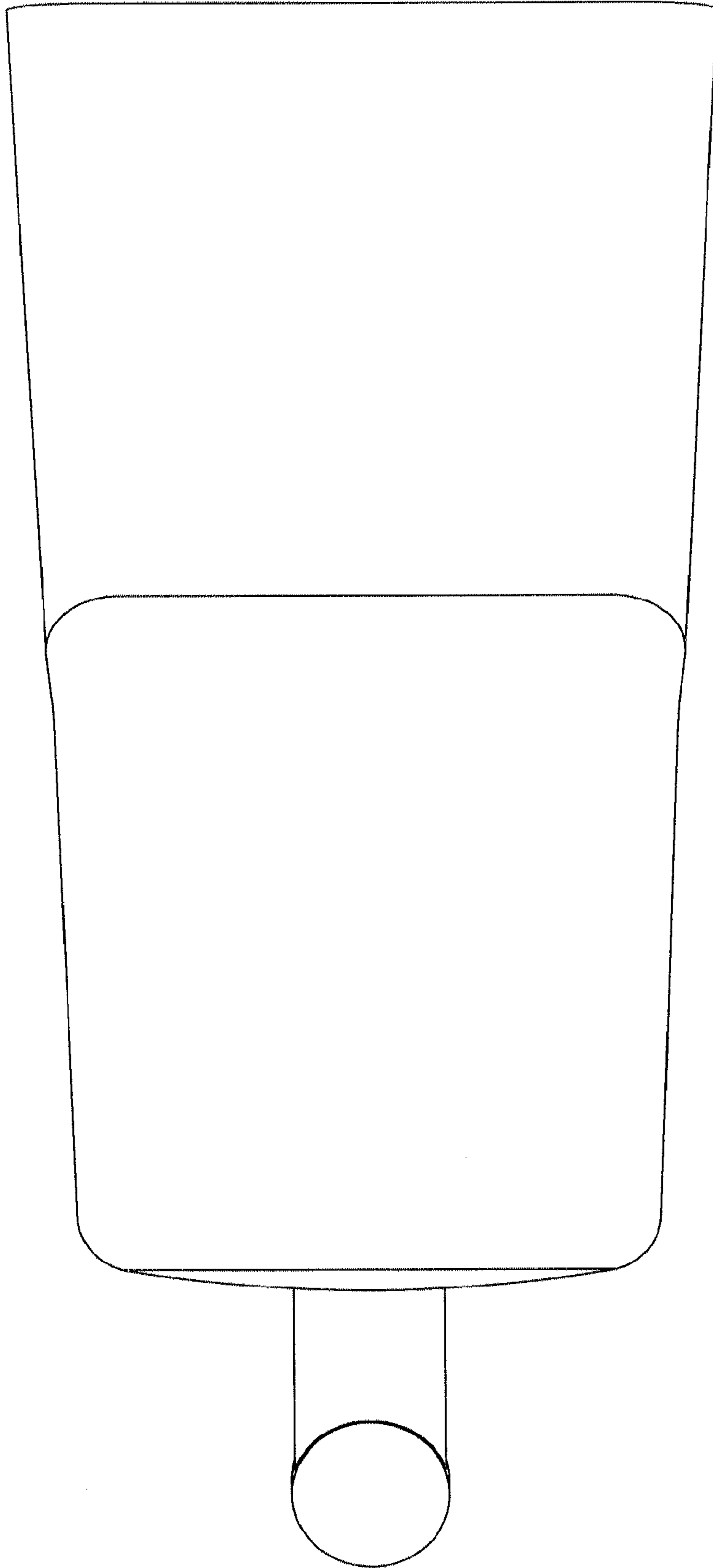


Fig. 8