



US00D664448S

(12) **United States Design Patent**  
**Graff**

(10) **Patent No.:** **US D664,448 S**

(45) **Date of Patent:** **\*\* Jul. 31, 2012**

(54) **WATCH CASE**

(75) **Inventor:** **Laurence Graff, Gstaad (CH)**

(73) **Assignee:** **Venberg SA, Geneva (CH)**

(\*\*) **Term:** **14 Years**

(21) **Appl. No.:** **29/373,236**

(22) **Filed:** **Mar. 22, 2011**

(51) **LOC (9) Cl.** ..... **10-02**

(52) **U.S. Cl.** ..... **D10/38**

(58) **Field of Classification Search** ..... D10/30-39;  
368/276, 281, 282, 294, 295

See application file for complete search history.

D588,944 S *	3/2009	Graff	.....	D10/38
D590,728 S *	4/2009	Moritz	.....	D10/38
D601,043 S *	9/2009	Belamich	.....	D10/39
D607,756 S *	1/2010	Perrenoud	.....	D10/38
D611,842 S *	3/2010	Parmigiani	.....	D10/38
D632,980 S *	2/2011	Yurman	.....	D10/38

\* cited by examiner

*Primary Examiner* — Lucy Lieberman

(74) *Attorney, Agent, or Firm* — Clifford W. Browning;  
Krieg DeVault LLP

(57) **CLAIM**

The ornamental design for a watch case, as shown and described.

**DESCRIPTION**

FIG. 1 is a front view of the watch case of the present invention.

FIG. 2 is a rear view of the watch case of FIG. 1.

FIG. 3 is a right side view of the watch case of FIG. 1.

FIG. 4 is a left side view of the watch case of FIG. 1.

FIG. 5 is a bottom view of the watch case of FIG. 2.

FIG. 6 is a top view of the watch case of FIG. 1; and,

FIG. 7 is a perspective view of the watch case of FIG. 1.

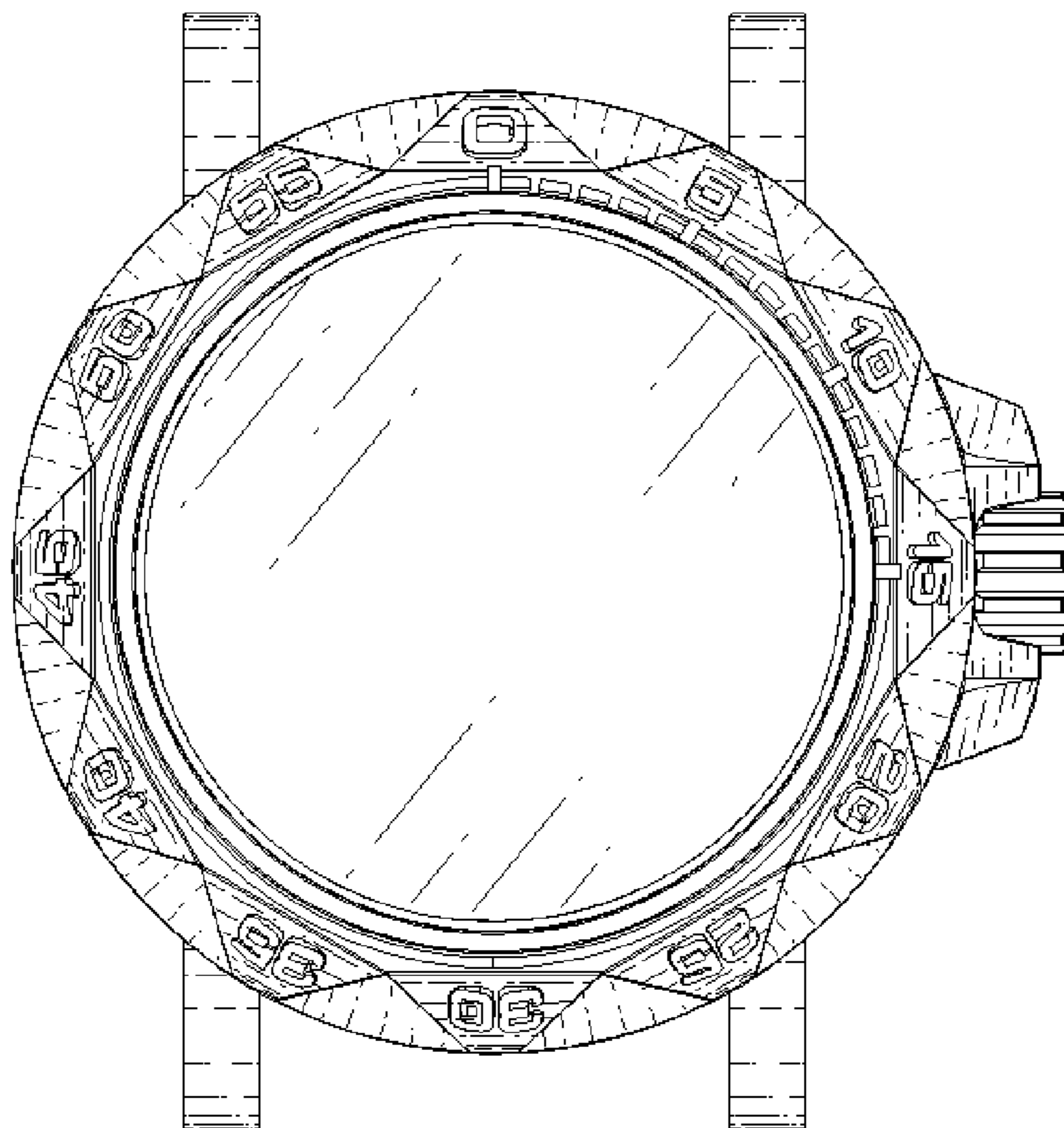
The broken lines shown on the bottom surfaces of the watch case in FIG. 5 represent portions of the watch case that form no part of the claimed design.

(56) **References Cited**

**U.S. PATENT DOCUMENTS**

D314,154 S *	1/1991	Dumas	.....	D10/39
D362,192 S *	9/1995	Hitter	.....	D10/32
D384,295 S *	9/1997	Riley	.....	D10/30
D447,063 S *	8/2001	Scheufele	.....	D10/30
D467,820 S *	12/2002	Berliat	.....	D10/39
D520,384 S *	5/2006	Scheufele	.....	D10/39
D536,268 S *	2/2007	Asakawa et al.	.....	D10/38
D557,618 S *	12/2007	El Kadiri	.....	D10/31
D570,231 S *	6/2008	Actis-Datta	.....	D10/38
D579,793 S *	11/2008	Hayek	.....	D10/39
D580,795 S *	11/2008	Lalo	.....	D10/32

**1 Claim, 1 Drawing Sheet**



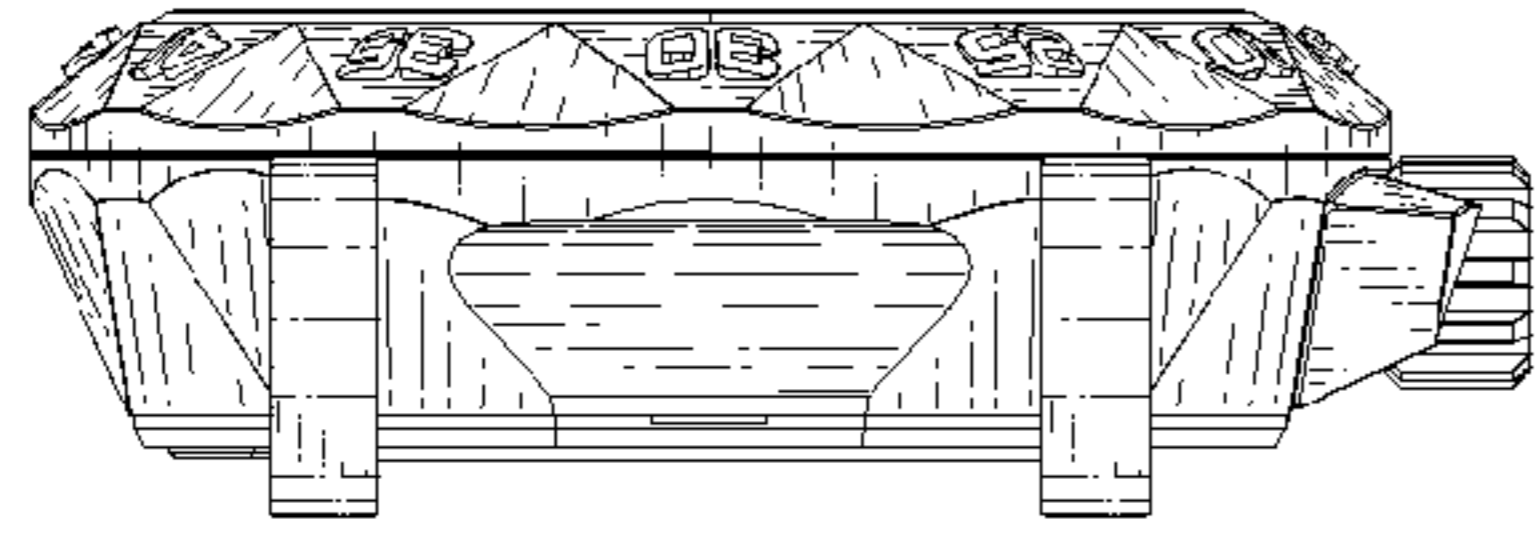


FIG. 1

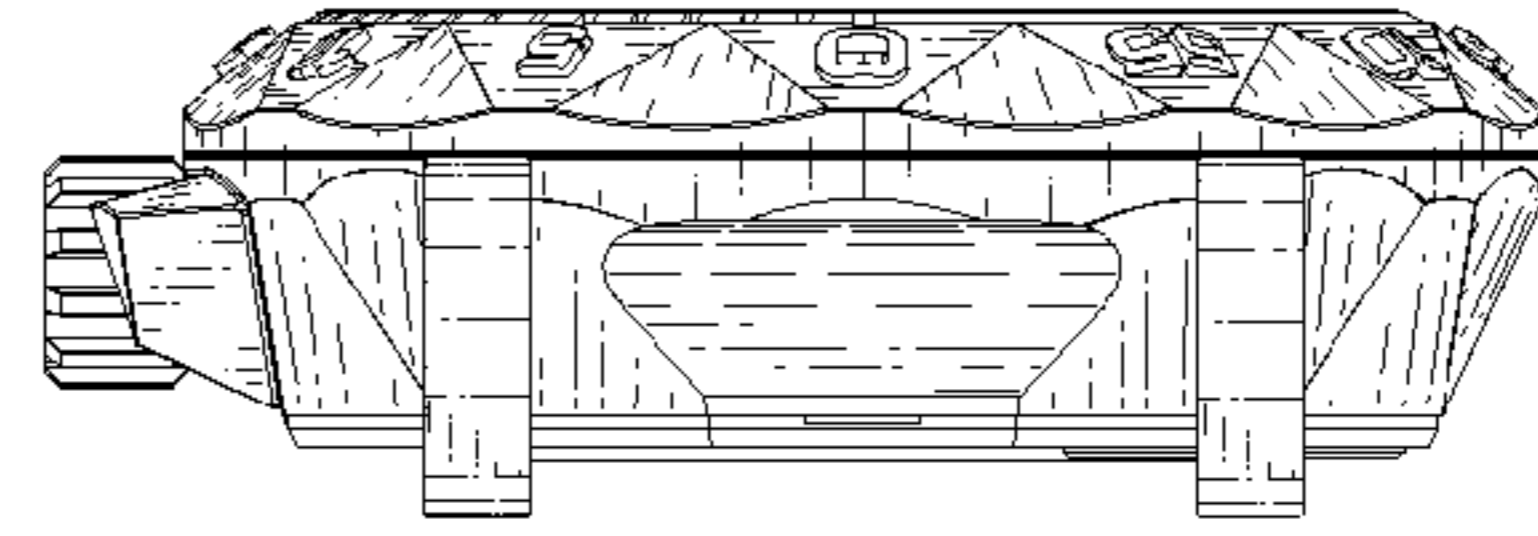


FIG. 2

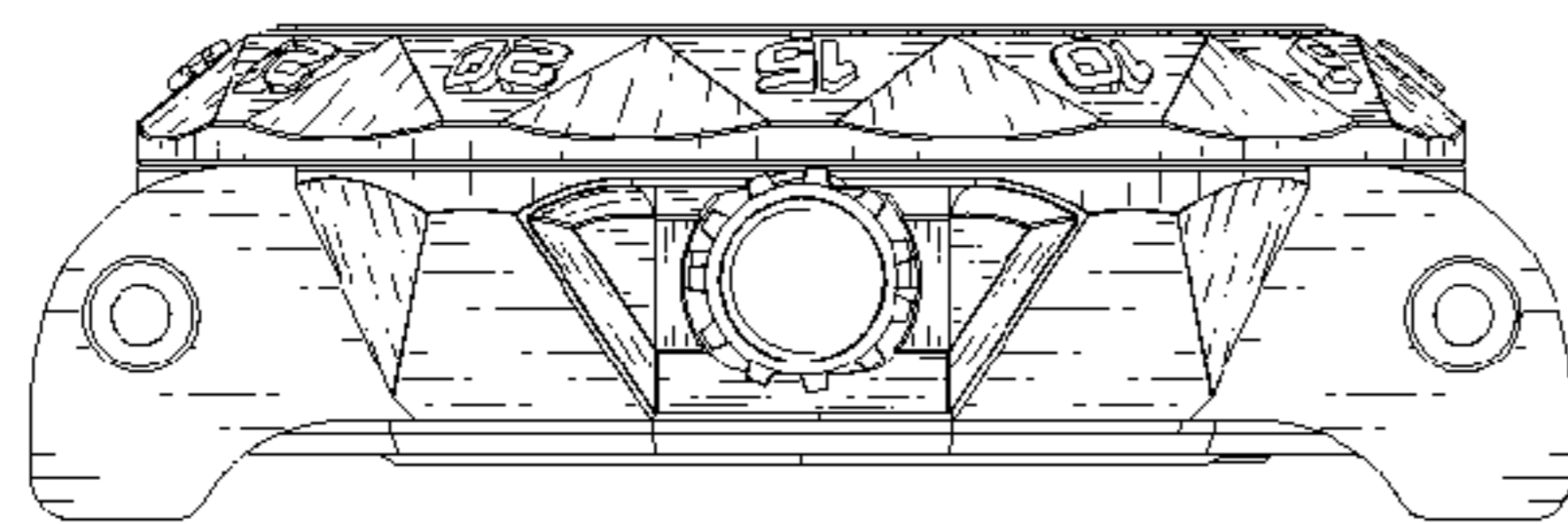


FIG. 3

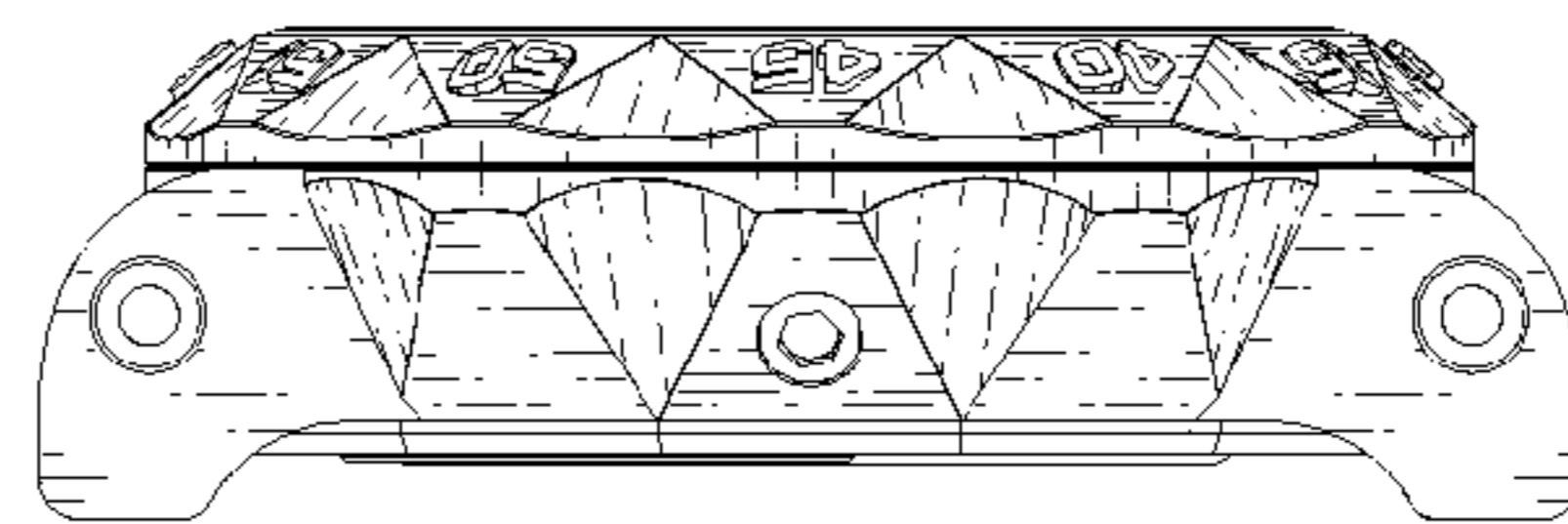


FIG. 4

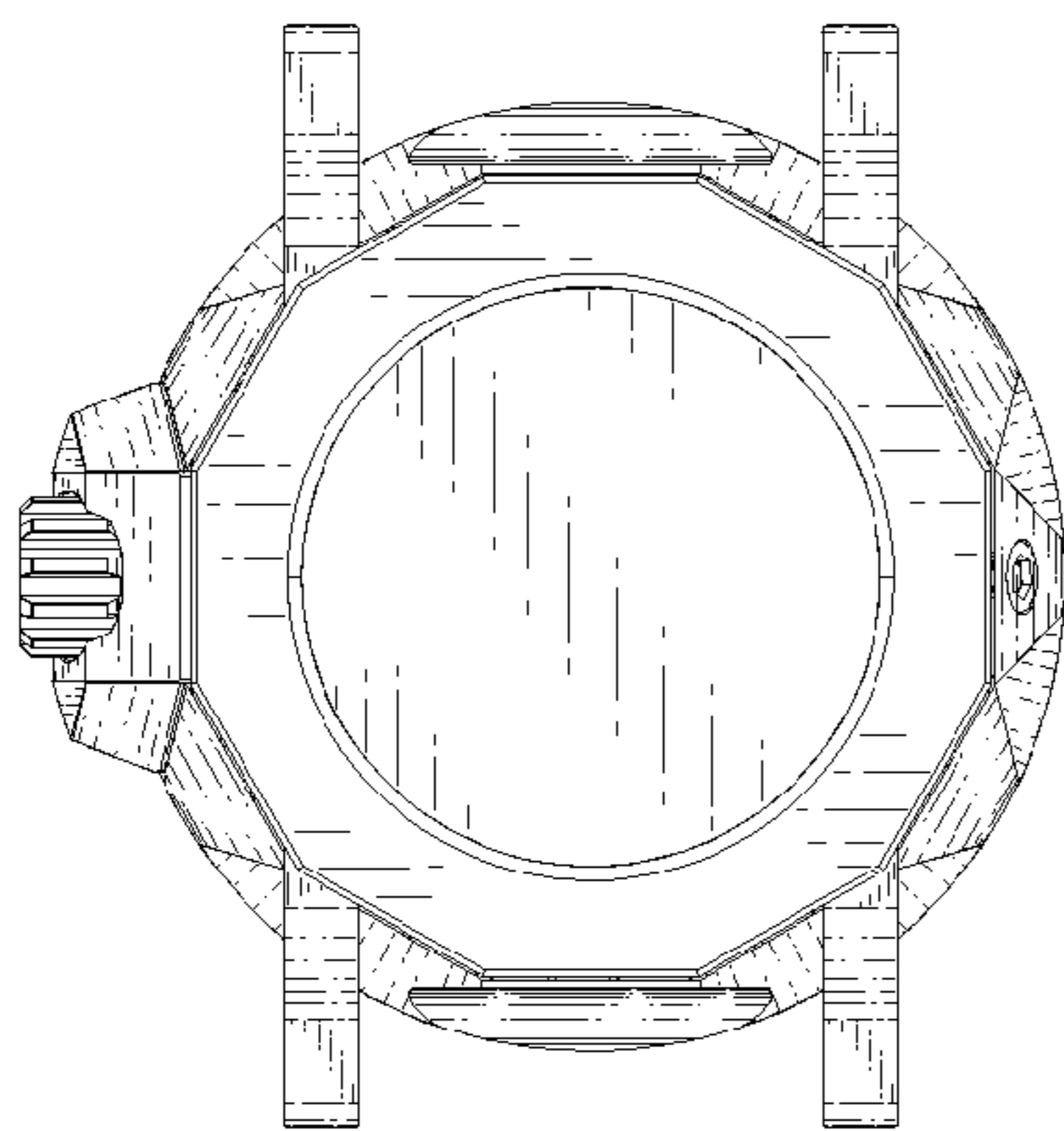


FIG. 5

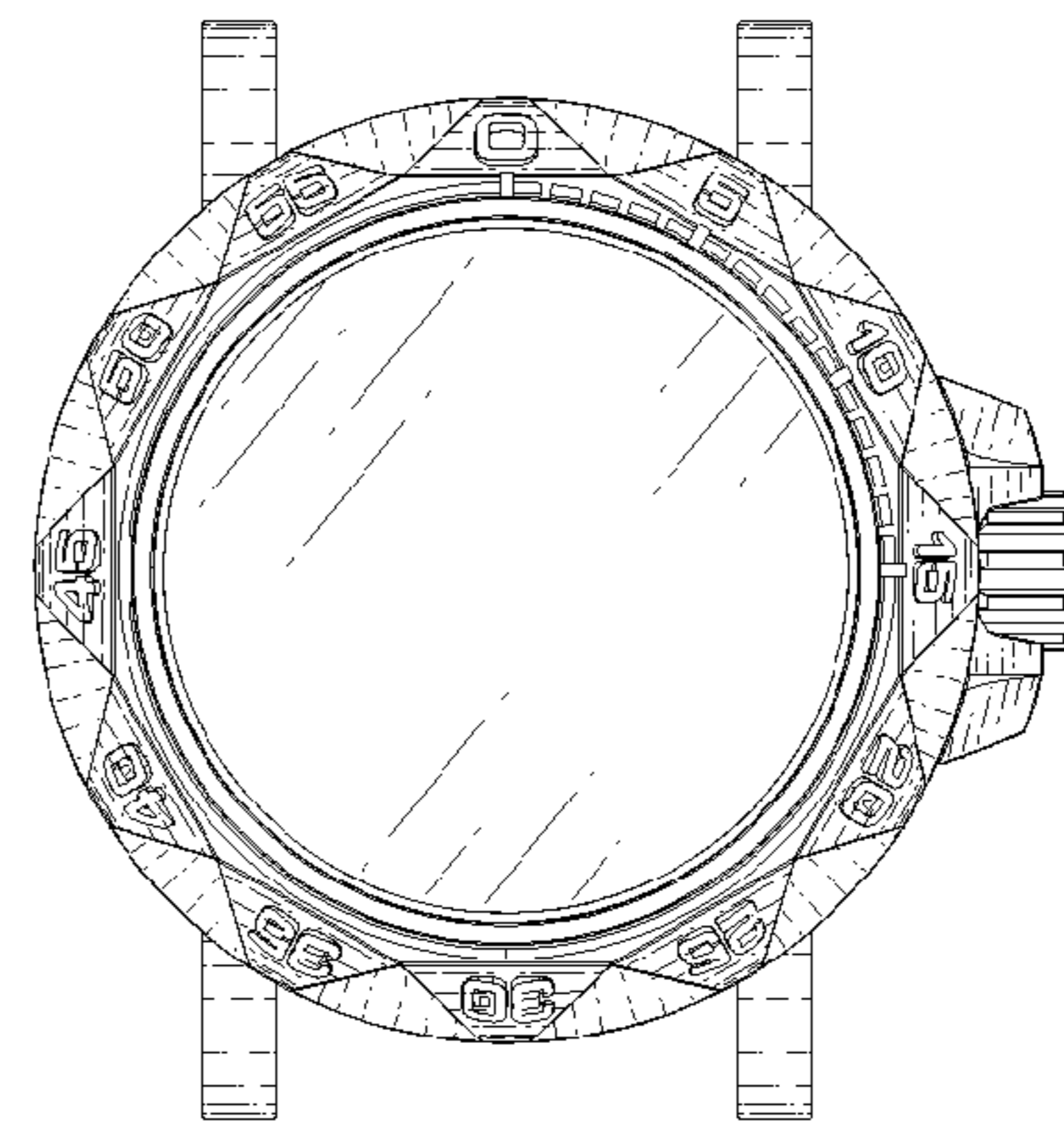


FIG. 6



FIG. 7