



US00D664446S

(12) **United States Design Patent**
Edwards

(10) **Patent No.:** **US D664,446 S**

(45) **Date of Patent:** **** Jul. 31, 2012**

(54) **AEROSOL DISPENSER**

(75) Inventor: **David A. Edwards**, Boston, MA (US)

(73) Assignee: **AeroDesigns, Inc.**, Cambridge, MA (US)

(**) Term: **14 Years**

(21) Appl. No.: **29/400,658**

(22) Filed: **Aug. 31, 2011**

(51) **LOC (9) Cl.** **09-01**

(52) **U.S. Cl.** **D9/690; D9/693; D9/528; D9/540**

(58) **Field of Classification Search** D9/682,
D9/688, 690, 693, 516, 519, 523, 528, 530,
D9/531, 537, 540, 543, 549, 575, 435, 447,
D9/448; 215/381-385; 220/660, 662, 669
See application file for complete search history.

(56) **References Cited**

U.S. PATENT DOCUMENTS

D79,717 S *	10/1929	Hoffman	D9/503
D99,764 S *	5/1936	Trompeter	D9/500
D211,154 S *	5/1968	Pizzurro	D9/693
D211,505 S *	6/1968	Anderson	D9/543
D224,882 S *	10/1972	Alpern	D9/693
D326,223 S *	5/1992	Dova	D9/522
D328,025 S *	7/1992	Farricielli	D9/691

D389,411 S *	1/1998	Baron	D9/523
D468,626 S *	1/2003	Jødal et al.	D9/693
D546,688 S *	7/2007	Verburg	D9/517
D565,956 S *	4/2008	Fougere et al.	D9/528
D620,365 S *	7/2010	Desjardins	D9/528
D651,090 S *	12/2011	Grima et al.	D9/528

* cited by examiner

Primary Examiner — Stella Reid

Assistant Examiner — Keli L Hill

(74) *Attorney, Agent, or Firm* — Fish & Richardson P.C.

(57) **CLAIM**

The ornamental design for an aerosol dispenser, substantially as shown and described.

DESCRIPTION

FIG. 1 shows a perspective view of a Design of an aerosol dispenser.

FIG. 2 shows a front view of the Design.

FIG. 3 shows a rear view of the Design.

FIG. 4 shows a right side view of the Design.

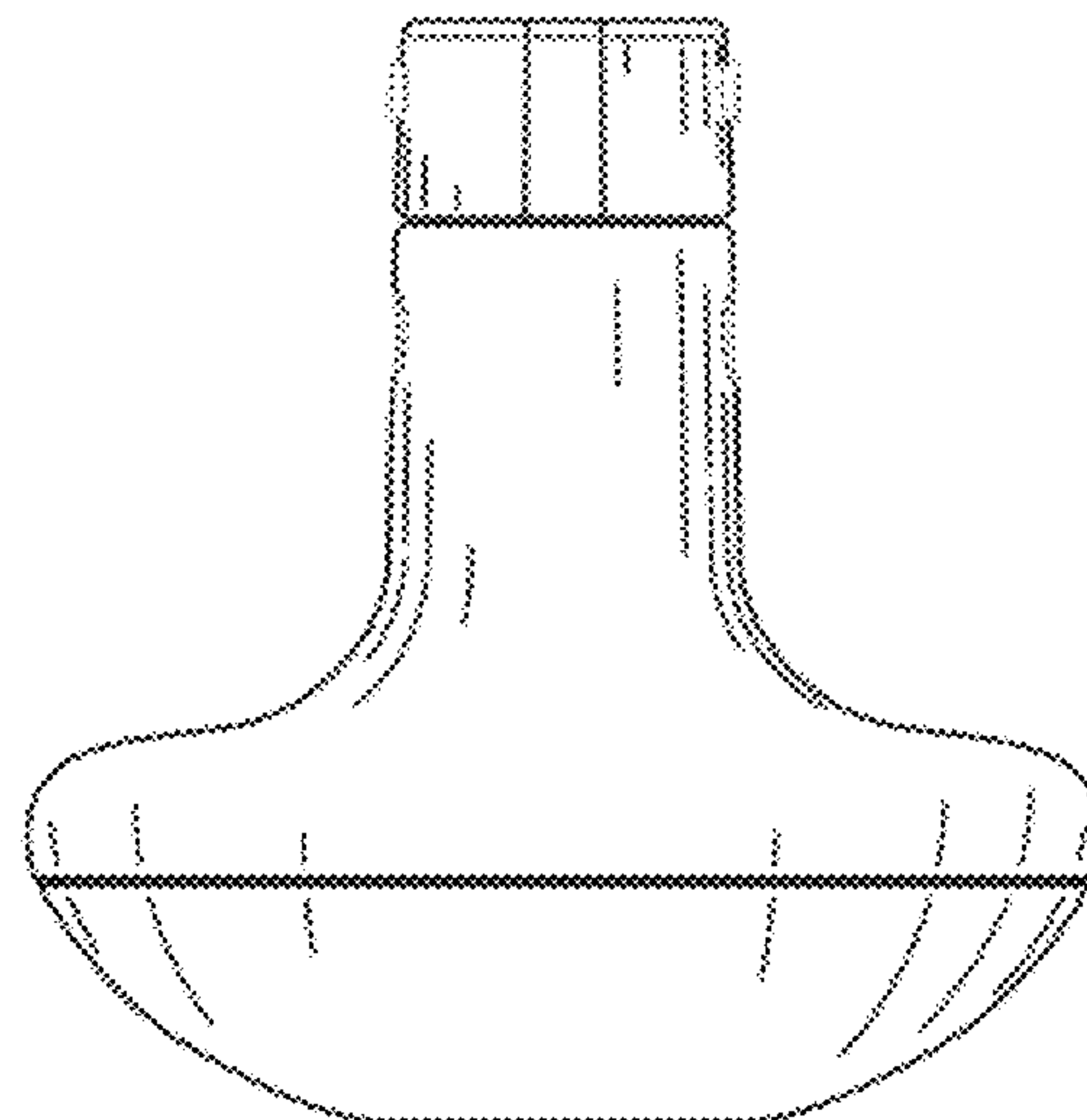
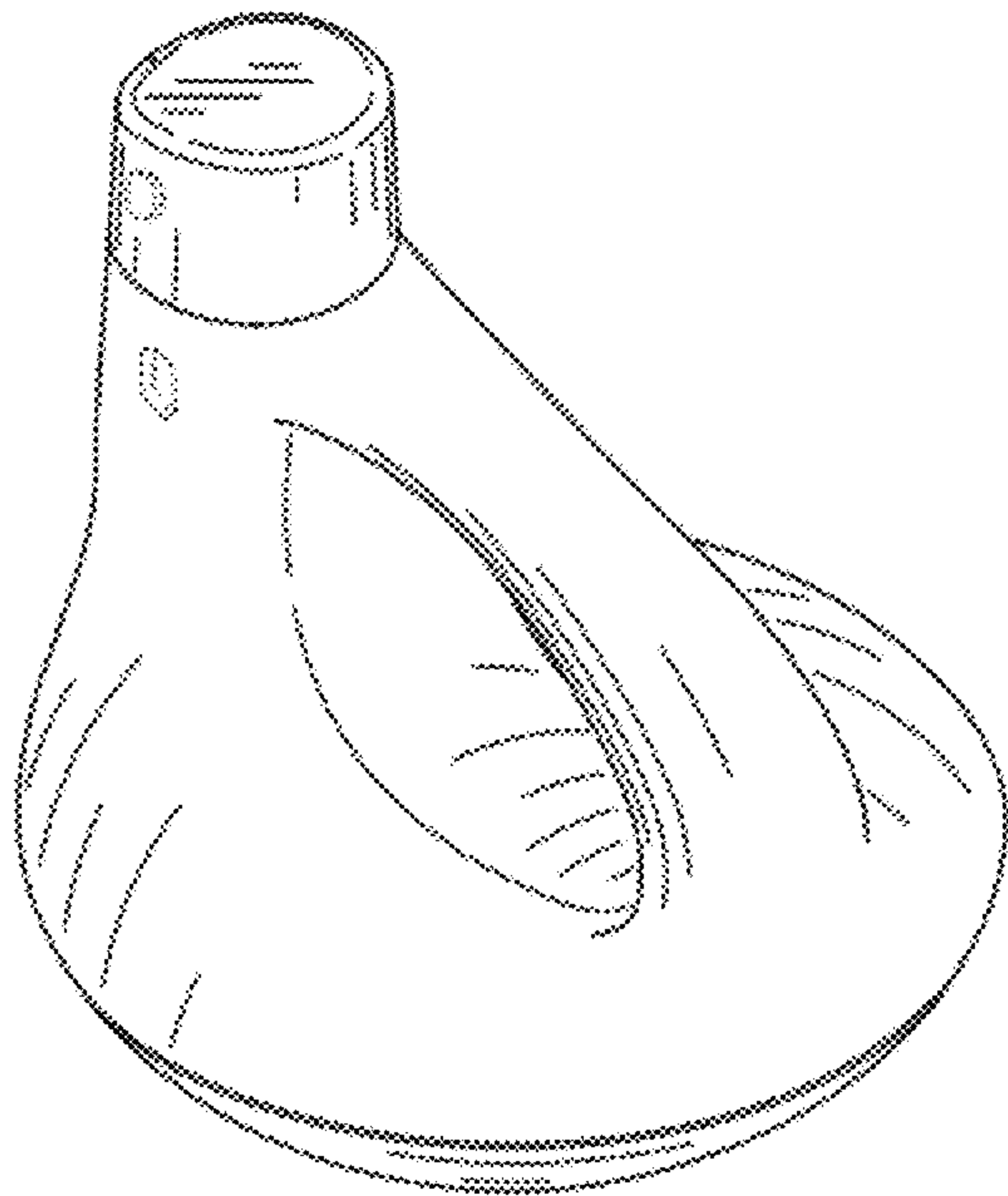
FIG. 5 shows a left side view of the Design.

FIG. 6 shows a top view of the Design; and,

FIG. 7 shows a bottom view of the Design.

The broken lines shown in the drawings represent unclaimed portions of the aerosol dispenser and form no part of the claimed design.

1 Claim, 2 Drawing Sheets



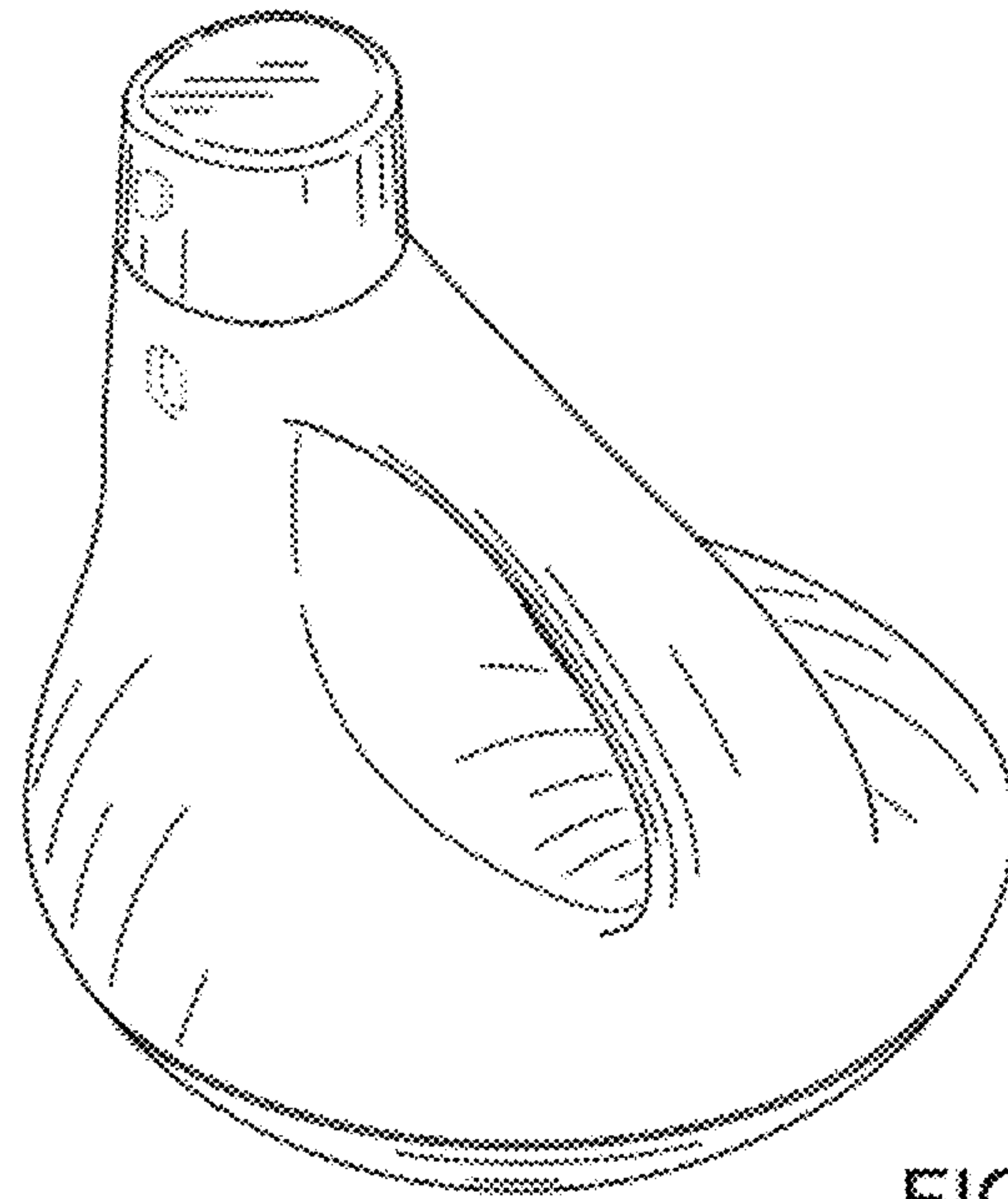


FIG. 1

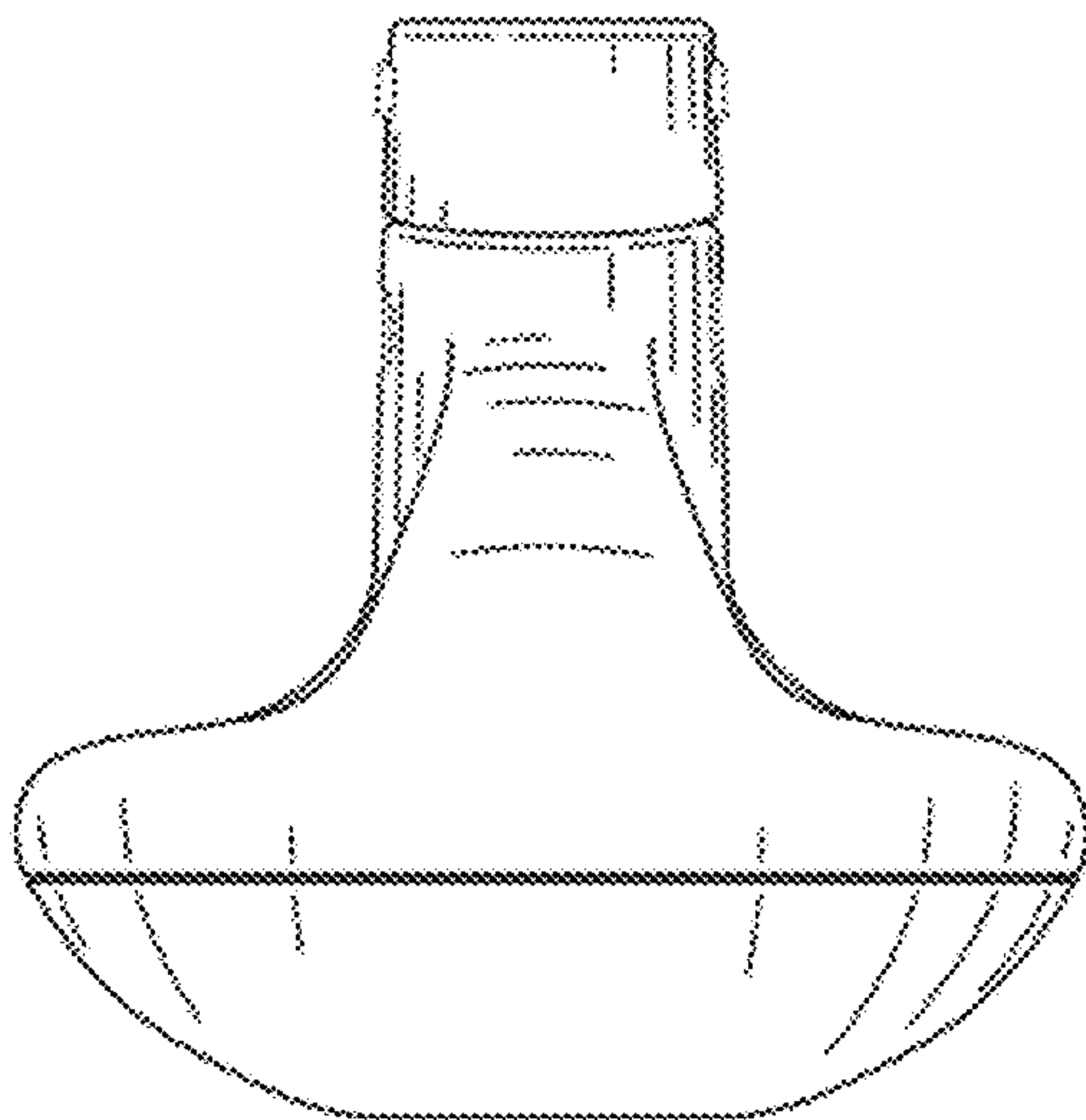


FIG. 2

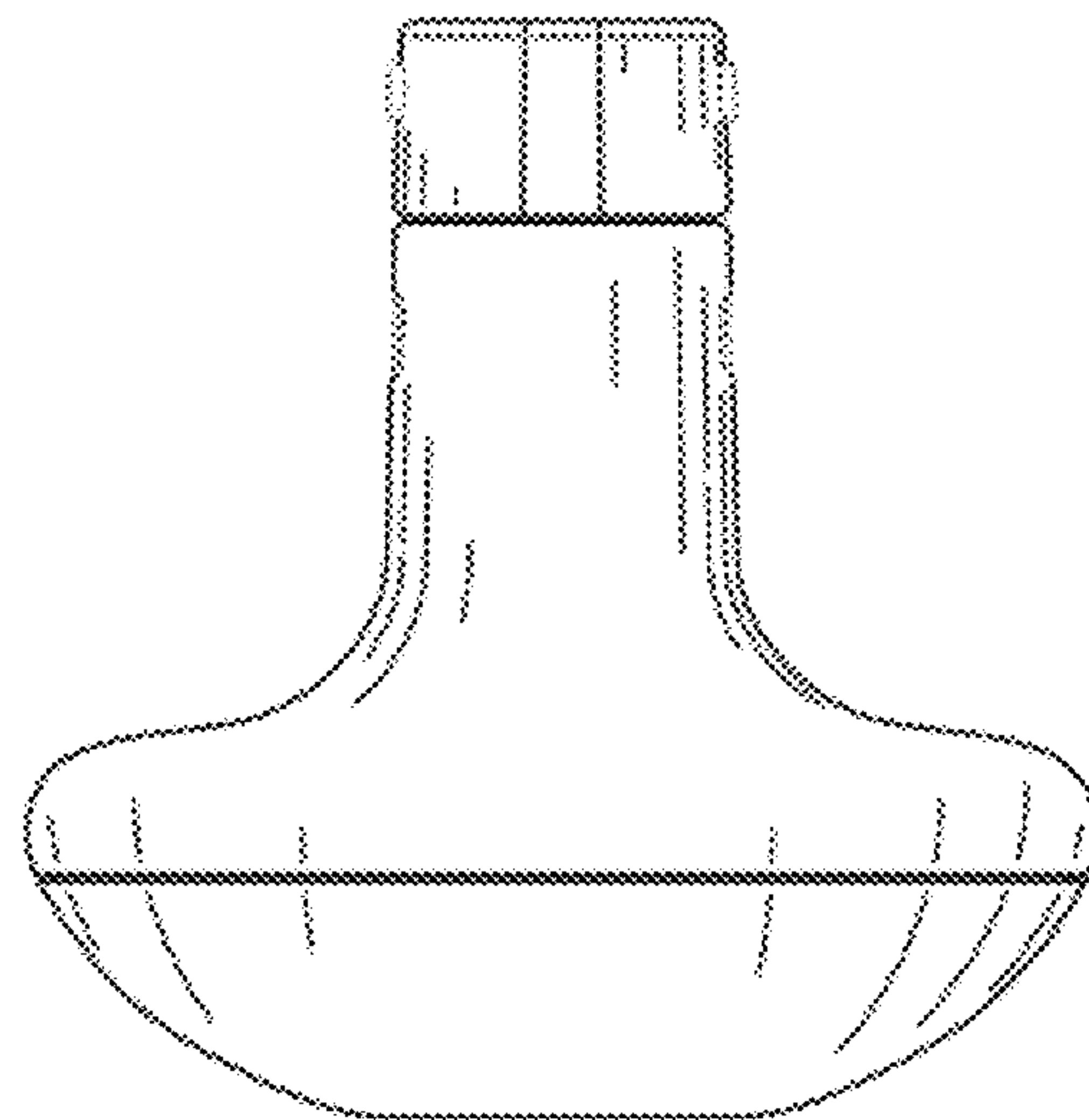


FIG. 3

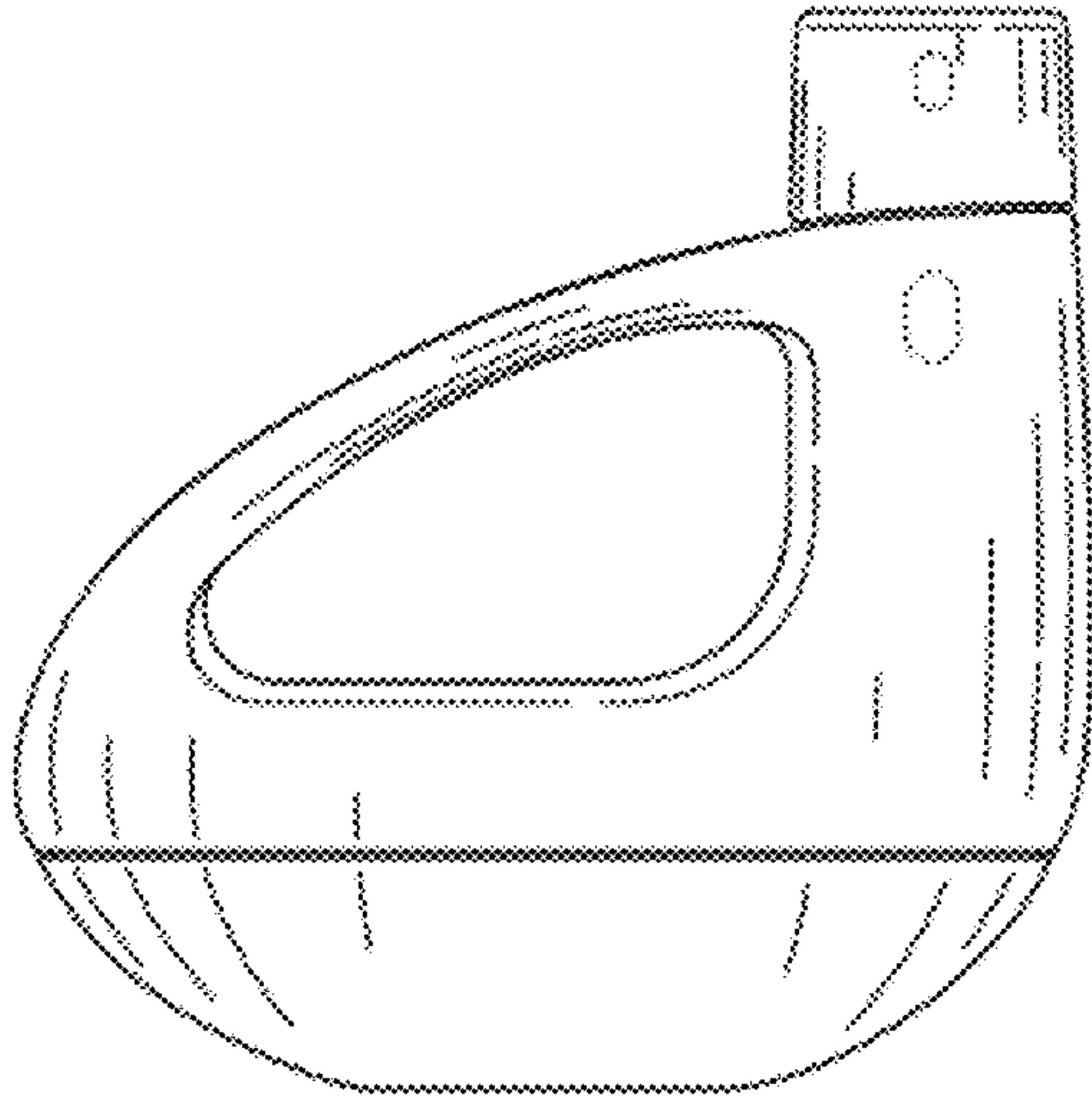


FIG. 4

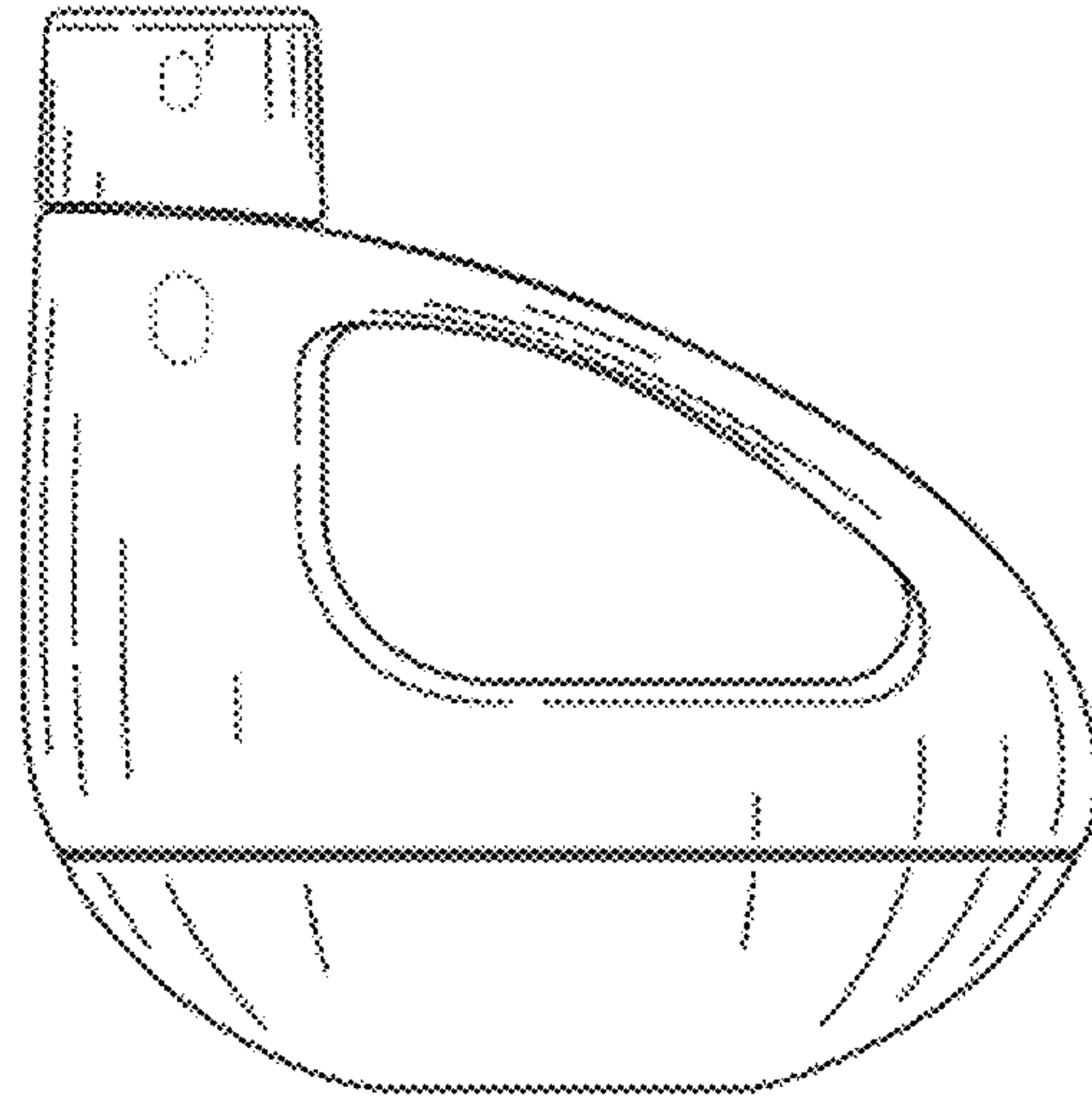


FIG. 5

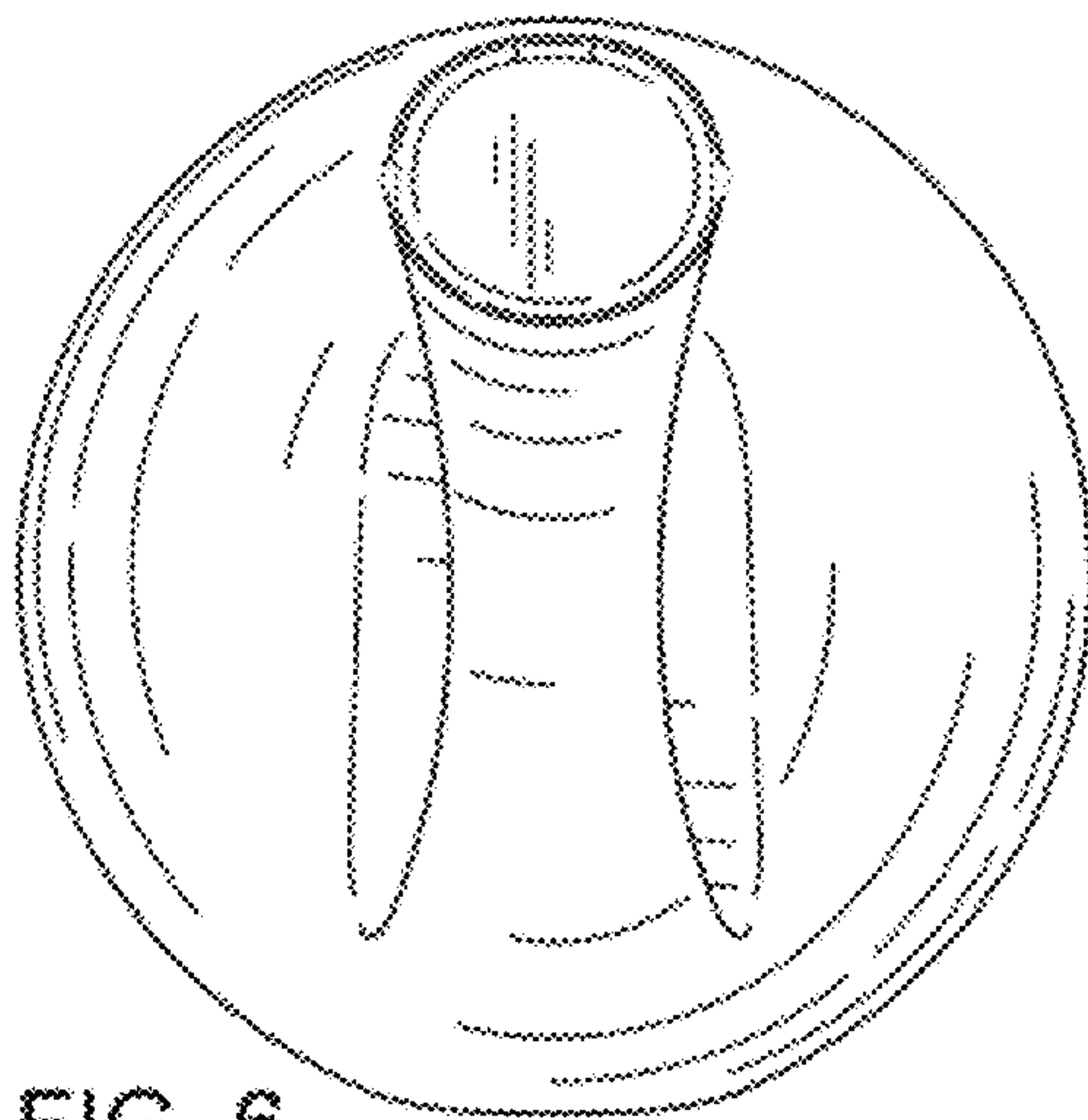


FIG. 6

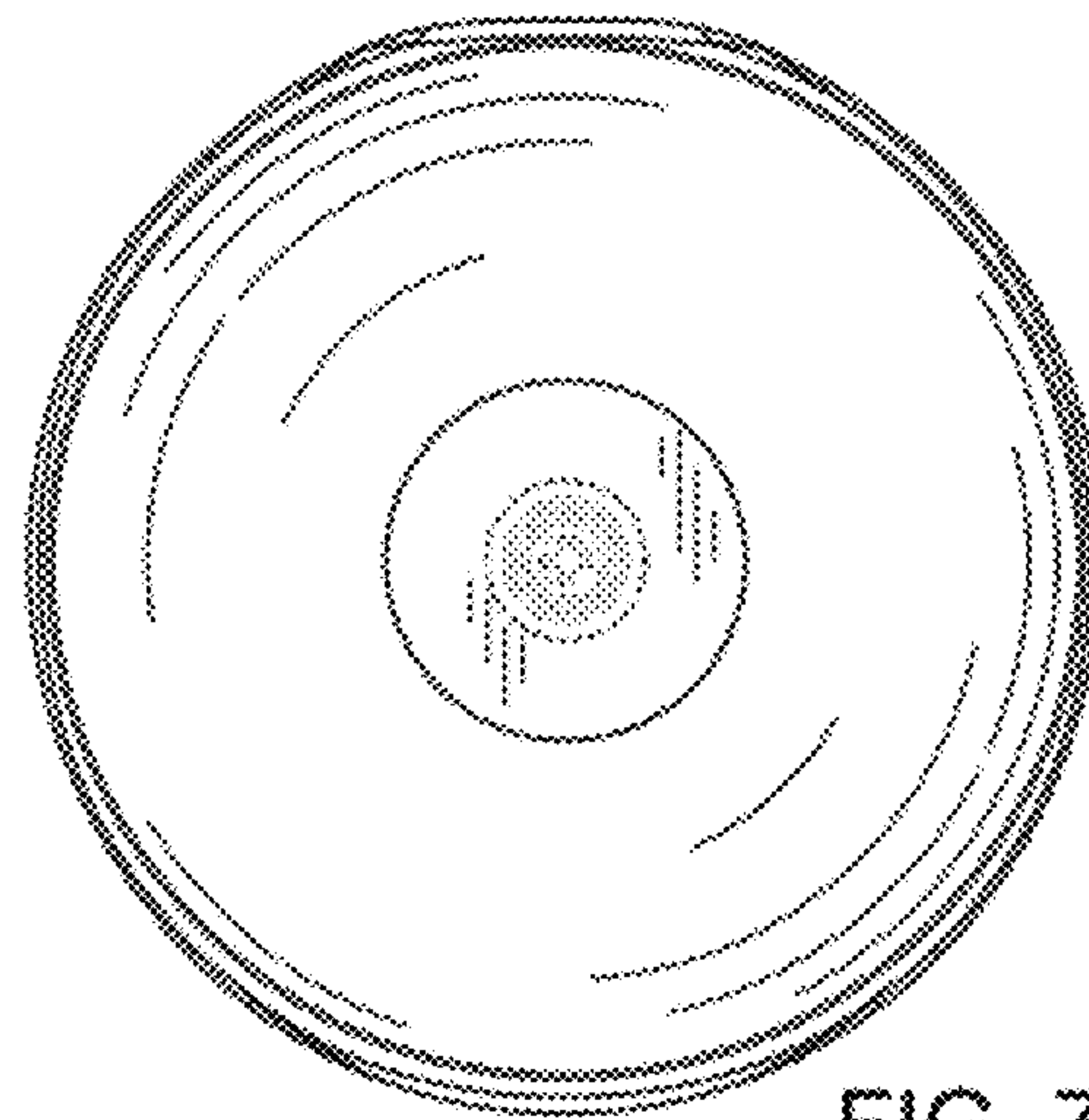


FIG. 7