



US00D664442S

(12) **United States Design Patent**
Ciulla et al.

(10) **Patent No.:** **US D664,442 S**
(45) **Date of Patent:** **** Jul. 31, 2012**

(54) **CONTAINER**

(75) Inventors: **Sam J. Ciulla**, Wilmette, IL (US);
Shelley R. Scheer, Chicago, IL (US)

(73) Assignee: **FMR LLC**, Boston, MA (US)

(**) Term: **14 Years**

(21) Appl. No.: **29/369,040**

(22) Filed: **Sep. 1, 2010**

(51) **LOC (9) Cl.** **09-01**

(52) **U.S. Cl.** **D9/600; D9/418; D9/636**

(58) **Field of Classification Search** D3/270-271.1;
D9/600, 636-641, 414-418, 430-433; 206/457,
206/527; 215/400

See application file for complete search history.

D415,960 S	11/1999	Majdanski et al.	D9/418
D473,712 S *	4/2003	Sabounjian	D3/270
D567,646 S *	4/2008	Ballard	D9/418
D578,876 S	10/2008	Ambelang et al.	D9/418
D579,326 S	10/2008	Chen	D9/427
D591,593 S	5/2009	Stannard et al.	D9/433
D592,889 S	5/2009	Carter et al.	D6/470
D644,096 S *	8/2011	Yadegaran	D9/418
2006/0032859 A1	2/2006	Cadiente	220/826
2007/0090172 A1	4/2007	Lyon et al.	229/5.84

* cited by examiner

Primary Examiner — Sandra Morris

(74) *Attorney, Agent, or Firm* — Proskauer Rose LLP

(57) **CLAIM**

The ornamental design for a container, as shown and described.

(56) **References Cited**

U.S. PATENT DOCUMENTS

2,065,150 A	12/1936	O'Brien	229/15
2,711,819 A *	6/1955	Lugt, Jr.	D9/418
4,101,048 A	7/1978	Rieben et al.	229/34 R
D310,488 S	9/1990	Callinan	D9/418
D339,523 S *	9/1993	Bennett	D9/418
5,332,088 A	7/1994	Schreiber	206/44 R
D380,381 S	7/1997	Krupa et al.	D9/425
5,690,272 A	11/1997	England	229/23 R
D389,737 S *	1/1998	Bader	D9/418

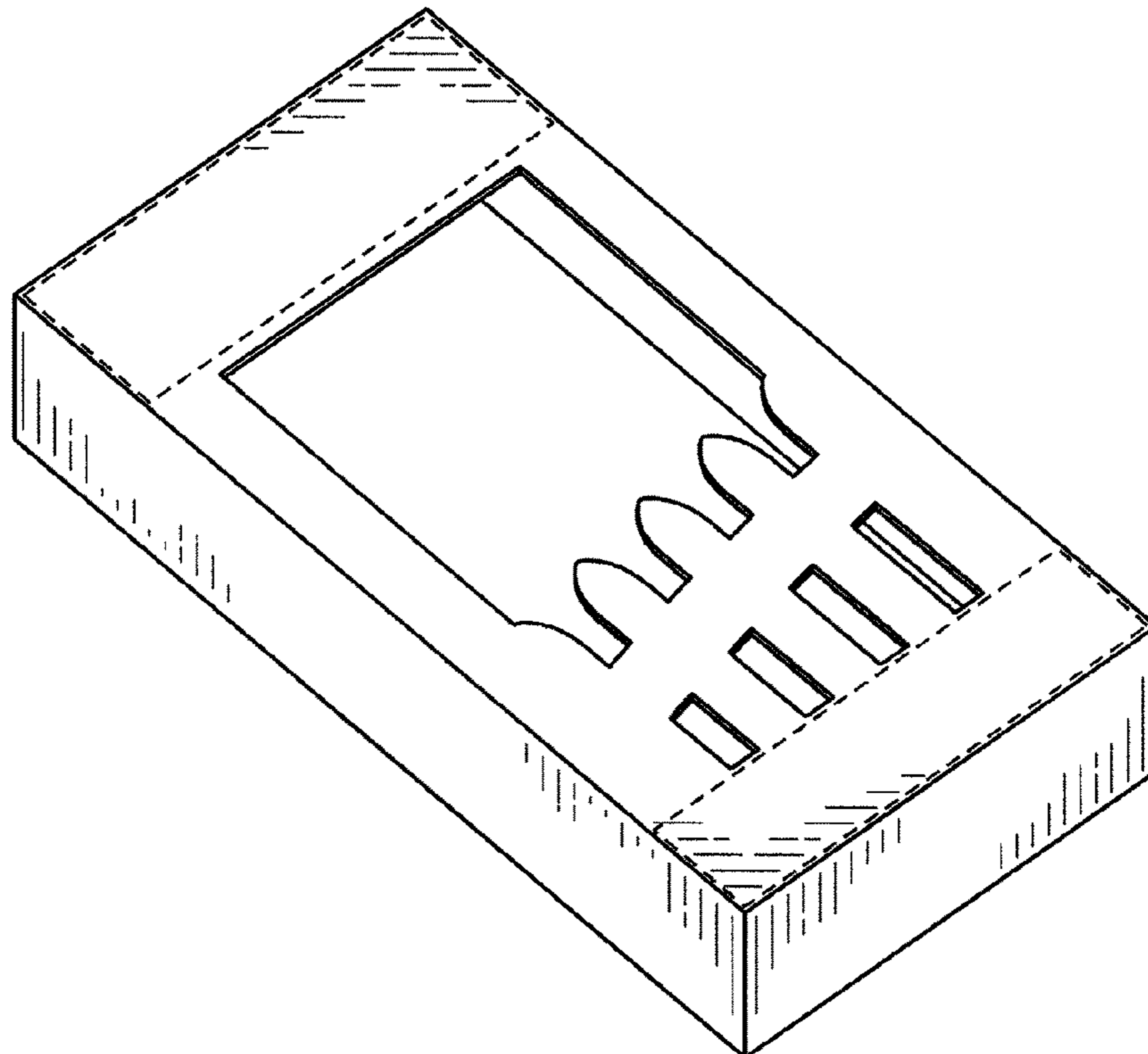
DESCRIPTION

FIG. 1 is a perspective view of an embodiment of a container having the new design; and,

FIG. 2 is a front view of the embodiment of FIG. 1.

The dotted and/or broken lines depict environmental features, or the character or contour of the surfaces represented and are not a part of the claimed design.

1 Claim, 2 Drawing Sheets



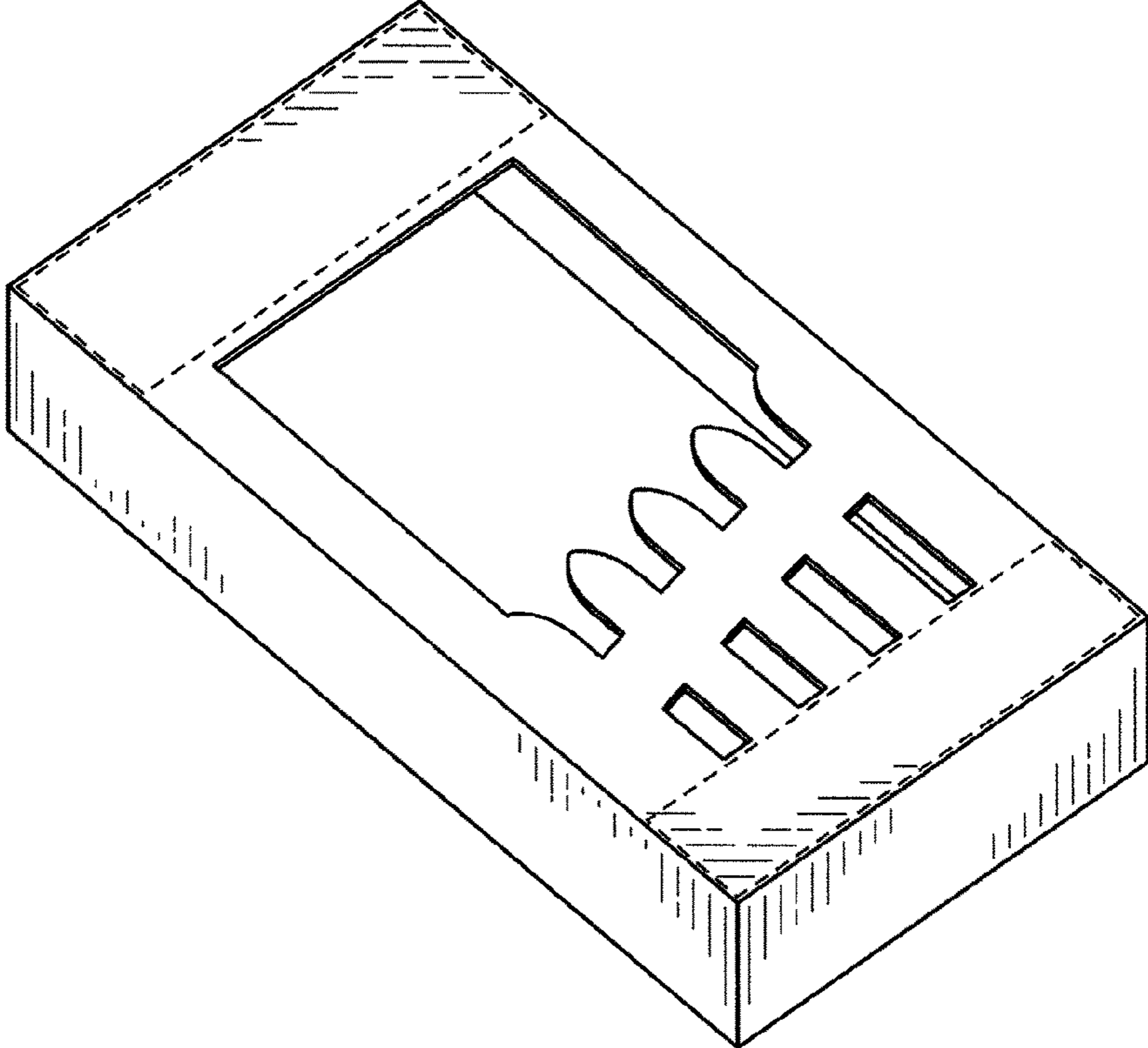


FIG. 1

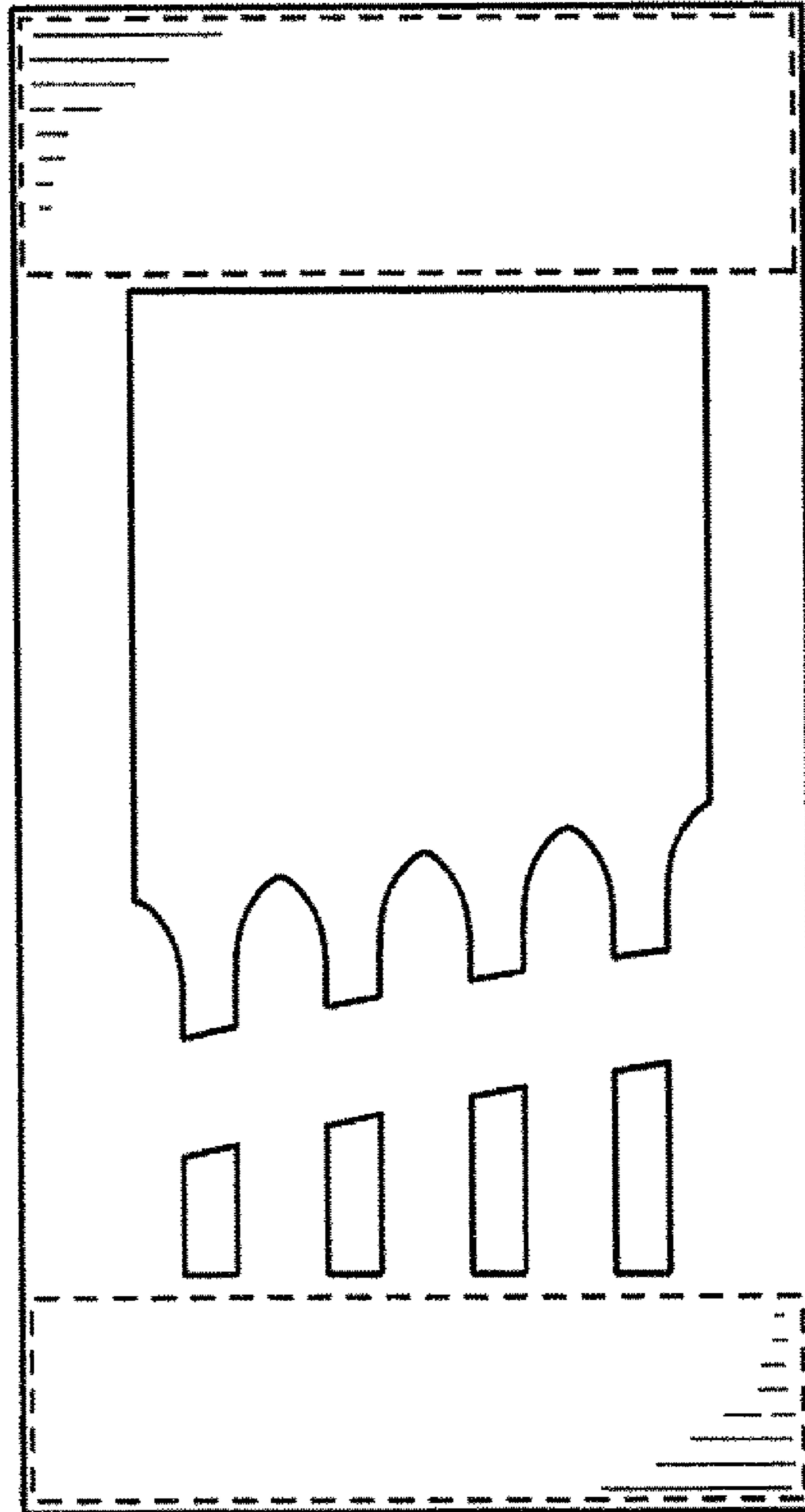


FIG. 2