



US00D664431S

(12) **United States Design Patent**  
**Wang**

(10) **Patent No.:** **US D664,431 S**  
(45) **Date of Patent:** **\*\* Jul. 31, 2012**

(54) **SPRAY GUN**

(75) Inventor: **Jinfeng Wang**, Zhejiang (CN)

(73) Assignee: **Ningbo Sengze Macrospray Co., Ltd.**,  
Zhenjiang (CN)

(\*\*) Term: **14 Years**

(21) Appl. No.: **29/383,648**

(22) Filed: **Jan. 20, 2011**

(30) **Foreign Application Priority Data**

Aug. 10, 2010 (CN) ..... 2010 3 0265697

(51) **LOC (9) Cl.** ..... **09-07**

(52) **U.S. Cl.** ..... **D9/448**

(58) **Field of Classification Search** ..... D9/692,  
D9/685, 682, 669, 667, 631, 451, 450, 448,  
D9/434, 432, 430, 414; D23/226, 225; 239/526,  
239/492, 333, 112; 222/402.15, 402.13,  
222/383.1, 334, 331, 321.8, 182

See application file for complete search history.

(56) **References Cited**

U.S. PATENT DOCUMENTS

D521,864 S *	5/2006	Cartoni	.....	D9/448
D582,769 S *	12/2008	Turchi	.....	D9/448
D582,770 S *	12/2008	Turchi	.....	D9/448
D587,574 S *	3/2009	Cantoni et al.	.....	D9/448
D625,188 S *	10/2010	Rech	.....	D9/448

\* cited by examiner

*Primary Examiner* — Susan Bennett Hattan

(74) *Attorney, Agent, or Firm* — J.C. Patents

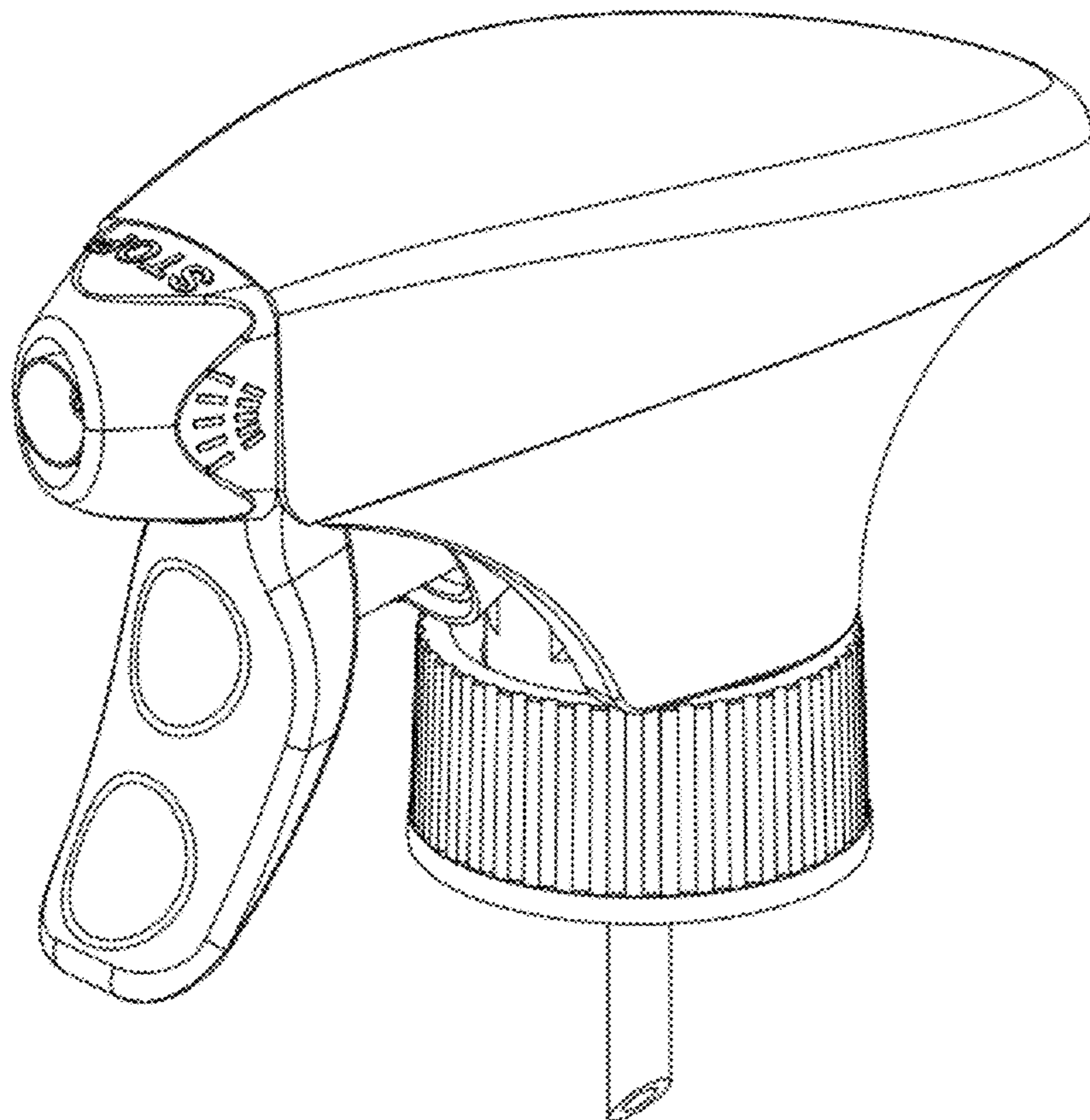
(57) **CLAIM**

The ornamental design for a spray gun, as shown and described.

**DESCRIPTION**

FIG. 1 is a perspective view showing our new design for the spray gun;  
FIG. 2 is a front view of the spray gun;  
FIG. 3 is a left view of the spray gun;  
FIG. 4 is a right view of the spray gun;  
FIG. 5 is a top view of the spray gun; and,  
FIG. 6 is a bottom view of the spray gun.  
The broken lines in the drawing depict environment subject matter only and form no part of the claimed design.

**1 Claim, 5 Drawing Sheets**



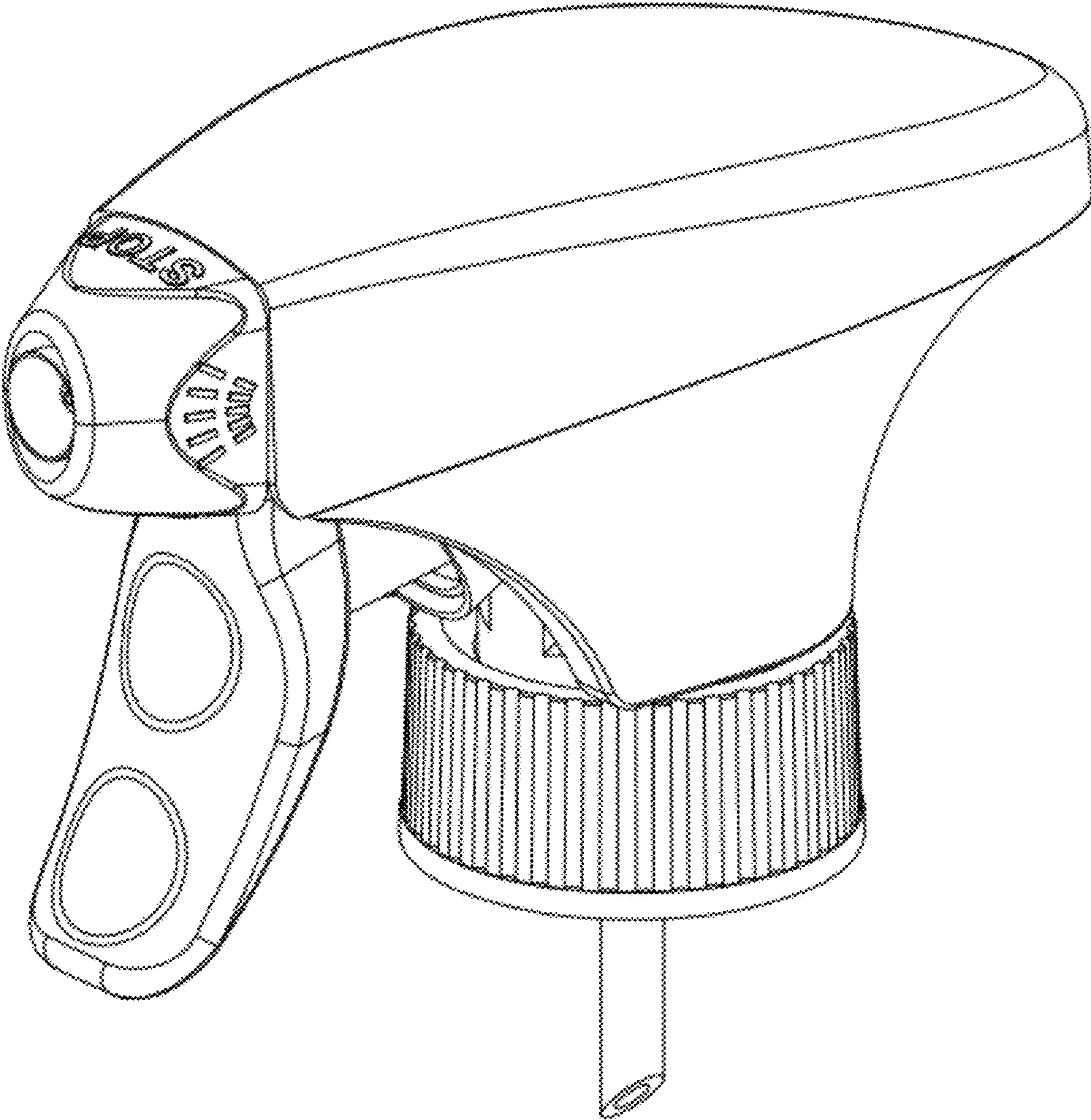


FIG. 1

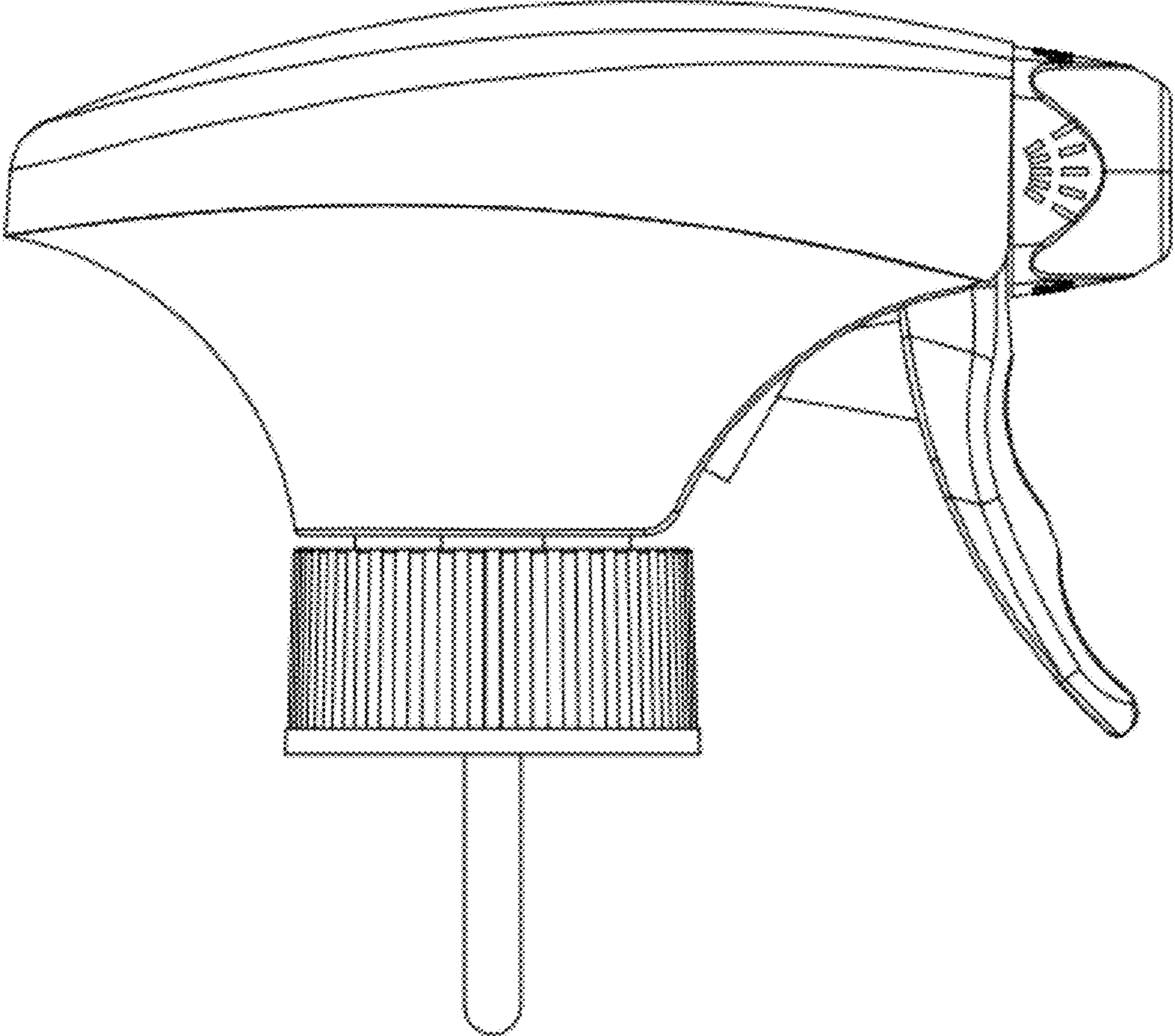


FIG. 2

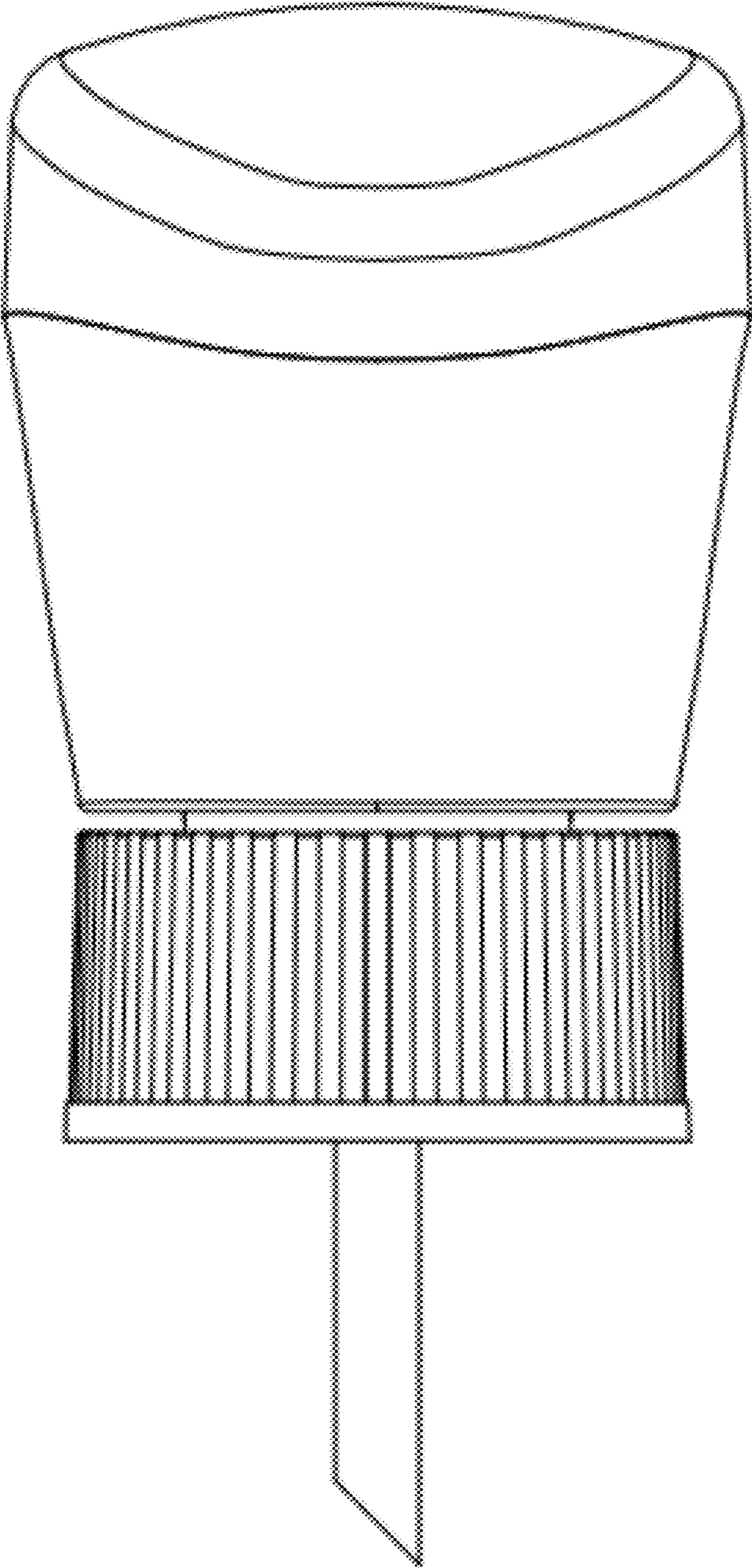


FIG. 3

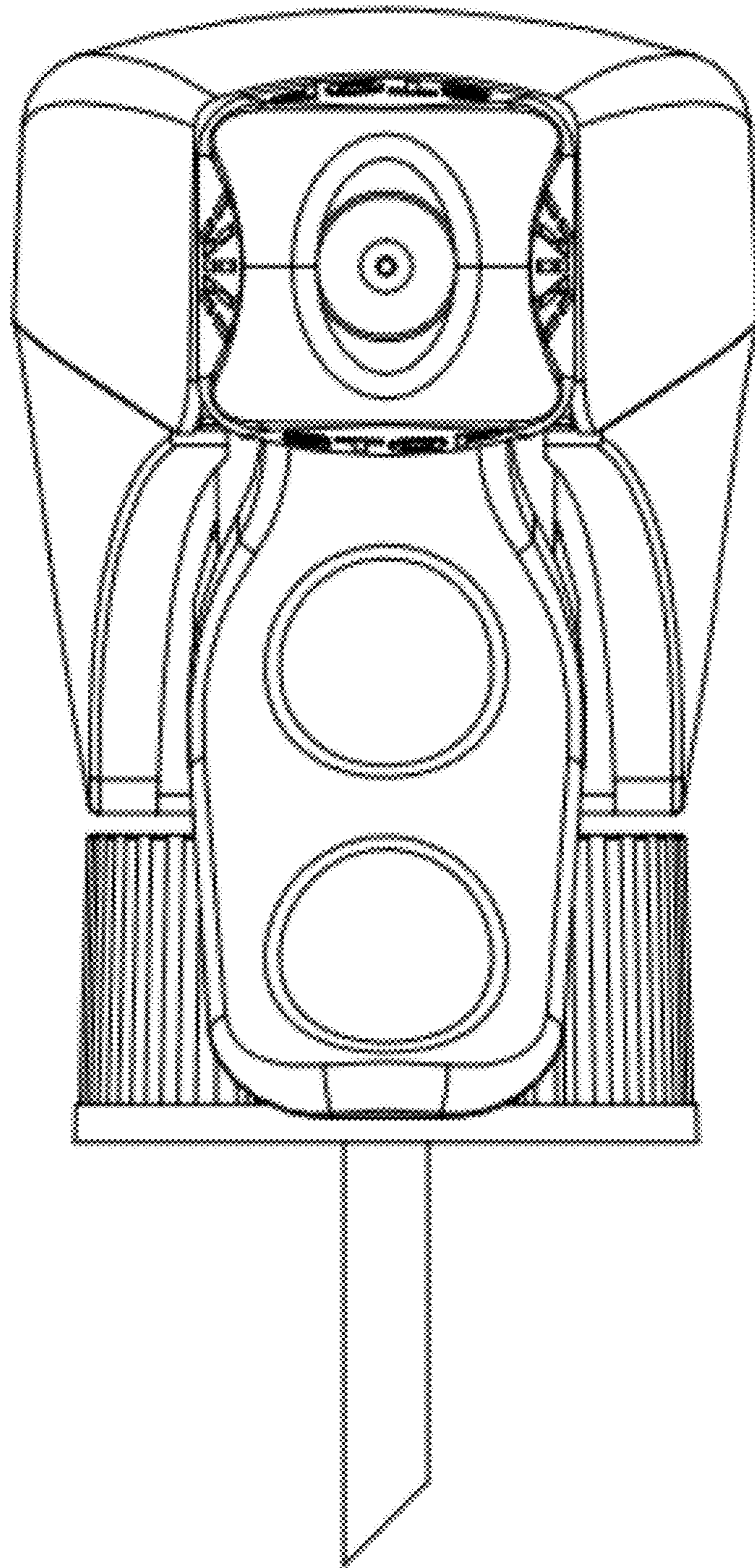


FIG. 4

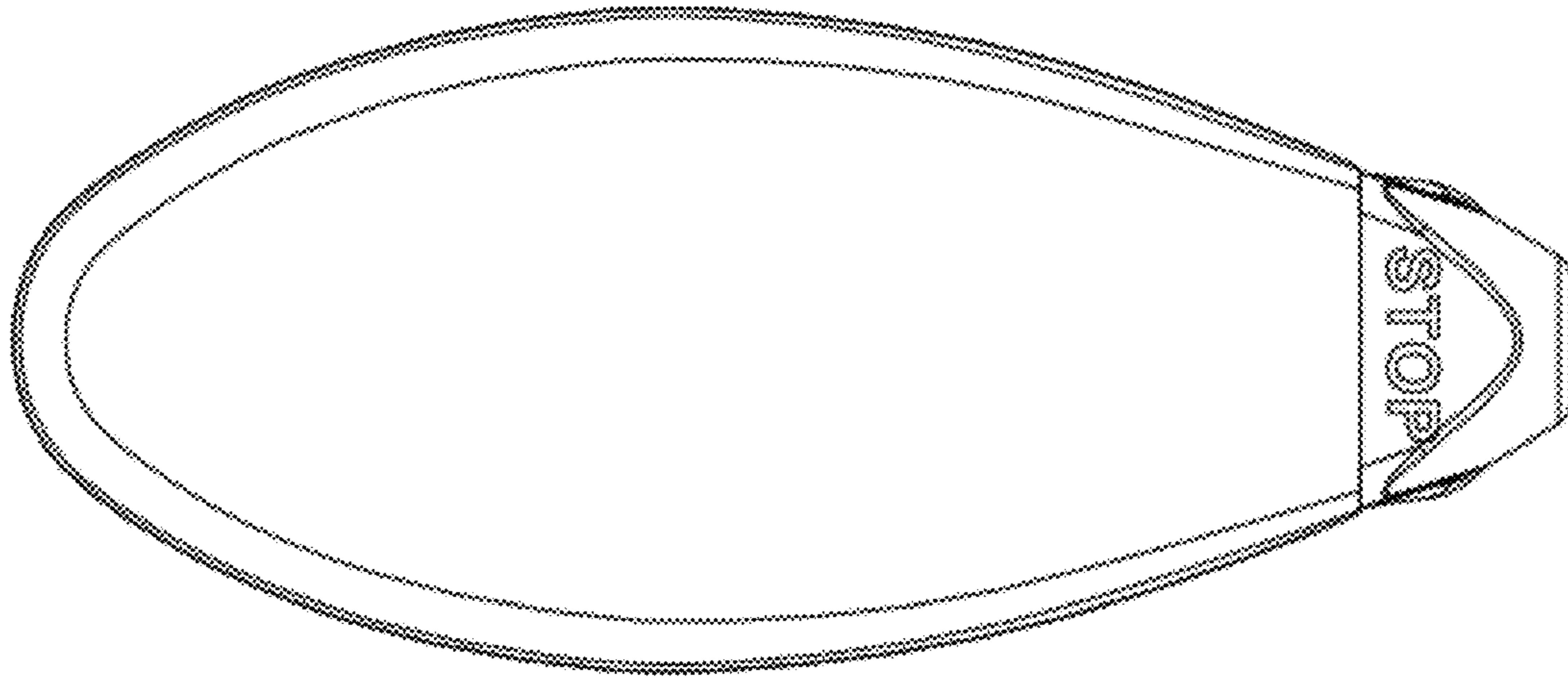


FIG. 5

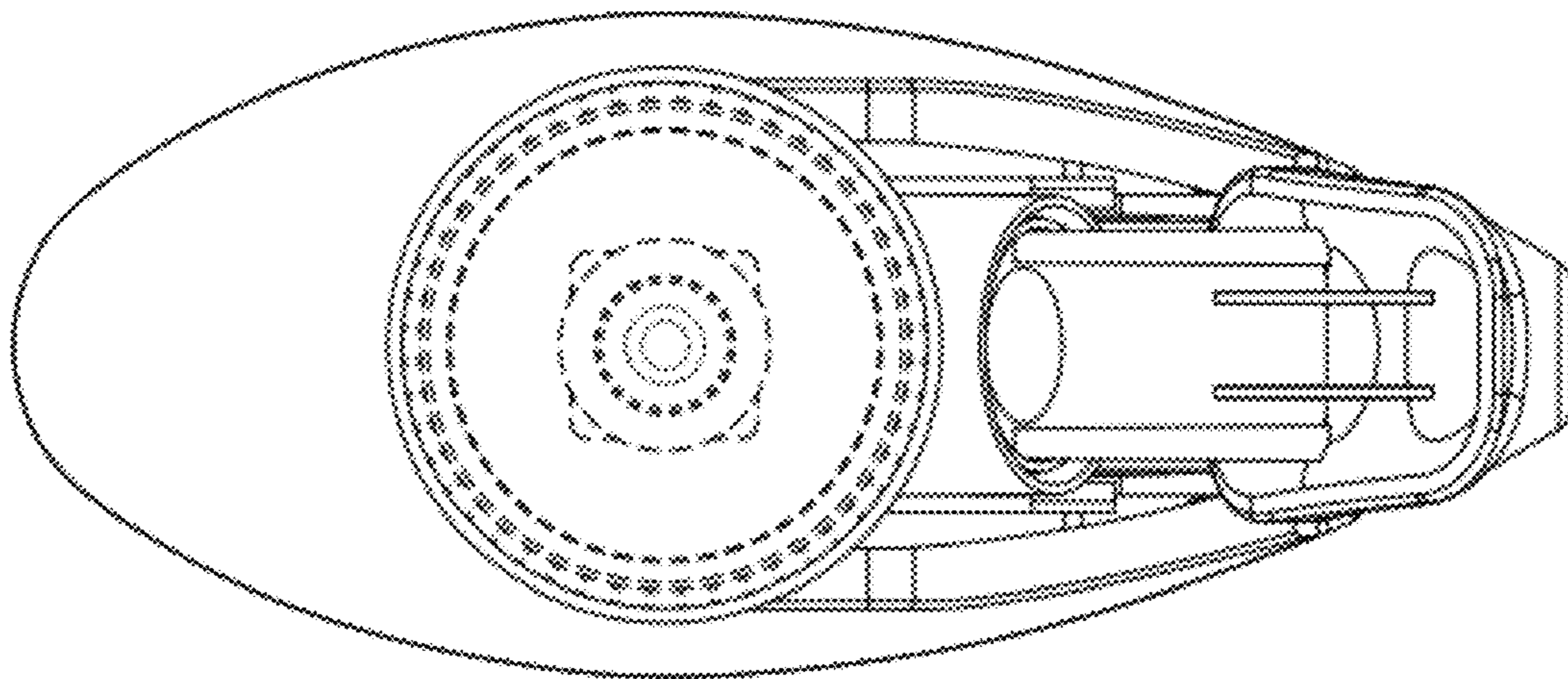


FIG. 6