

US00D664427S

(12) **United States Design Patent**
Chen

(10) **Patent No.:** **US D664,427 S**

(45) **Date of Patent:** **** Jul. 31, 2012**

(54) **PLASTIC CONTAINER**

(75) Inventor: **Linzhao Chen**, Taishan (CN)

(73) Assignee: **Taishan Changjiang Plastic Product Co., Ltd.** (CN)

(**) Term: **14 Years**

(21) Appl. No.: **29/391,252**

(22) Filed: **May 5, 2011**

(51) **LOC (9) Cl.** **09-03**

(52) **U.S. Cl.** **D9/425; D9/432**

(58) **Field of Classification Search** D9/414-418,
D9/420-429, 430-435, 440, 443-444, 447-454,
D9/629, 737, 761; 206/503, 521.1, 541,
206/564; 220/23.8, 23.83, 315, 324, 326,
220/367, 556, 835; D3/203.2, 294; D7/354,
D7/359, 391-392.1, 392, 396.2, 500-505,
D7/510-511, 538-545, 602, 629; 229/110,
229/406-407, 902-906

See application file for complete search history.

(56) **References Cited**

U.S. PATENT DOCUMENTS

246,289 A	8/1881	Chenoweth	
251,657 A	12/1881	Van	
254,776 A	3/1882	Martin	
D439,159 S *	3/2001	Chen	D9/425
D468,637 S *	1/2003	Chou	D9/425

D470,048 S *	2/2003	Buchalski et al.	D9/425
D592,500 S *	5/2009	Colacitti	D9/425
D594,325 S *	6/2009	Colacitti	D9/425
D606,812 S *	12/2009	Wu	D7/629
D614,950 S *	5/2010	Colacitti	D9/425
D649,033 S *	11/2011	Epstein	D9/425
2009/0218356 A1 *	9/2009	Colacitti	220/574

* cited by examiner

Primary Examiner — Thomas Johannes

(74) *Attorney, Agent, or Firm* — Schmeiser, Olsen & Watts, LLP

(57) **CLAIM**

I claim the ornamental design for a plastic container, as shown and described.

DESCRIPTION

FIG. 1 is a perspective view of a plastic container according to my design, as seen from above, with the lid closed.

FIG. 2 is a perspective view of a plastic container of FIG. 1, as seen from above, with the lid separated.

FIG. 3 is a front view of a plastic container of FIG. 1, with the lid separated.

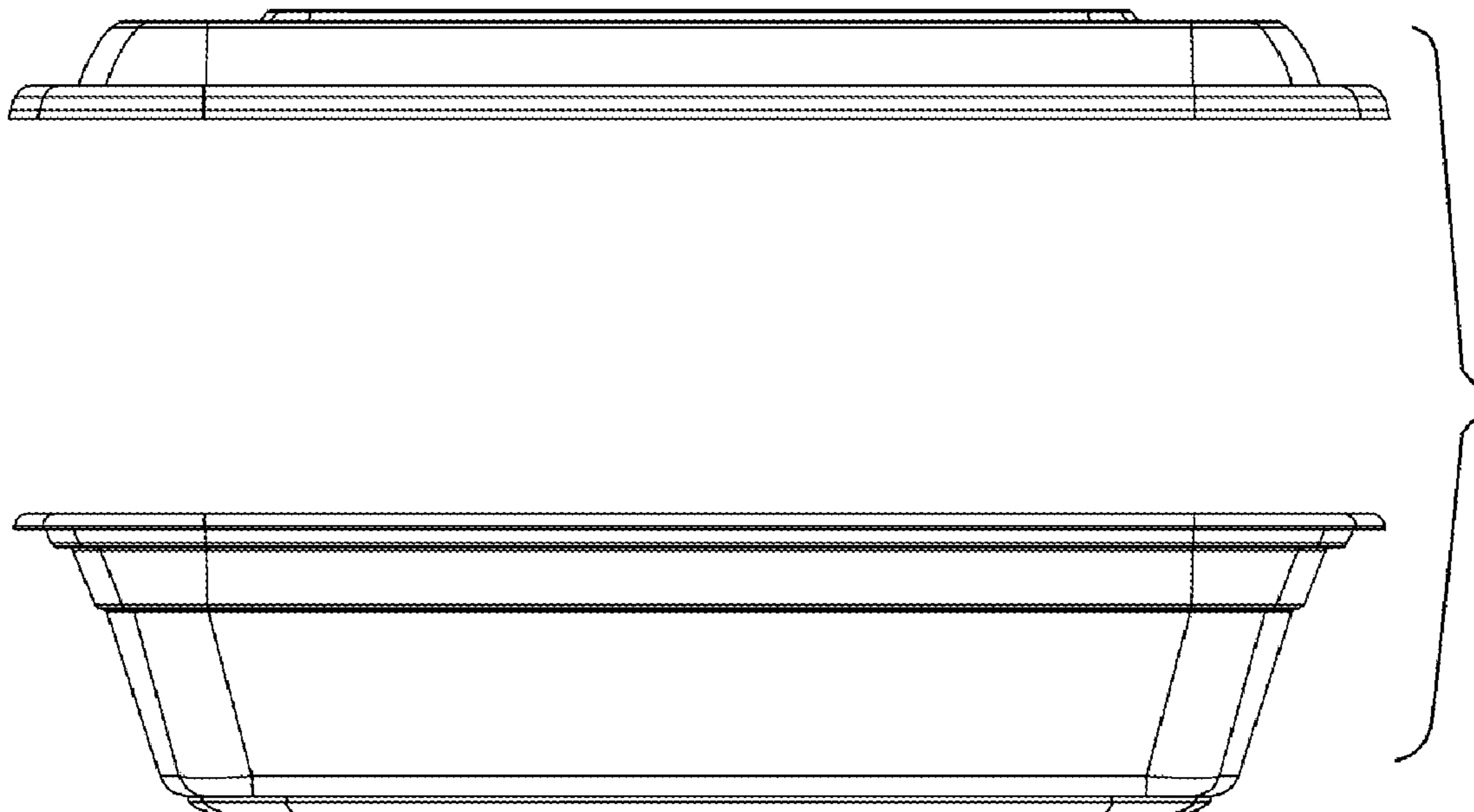
FIG. 4 is a front view of a plastic container of FIG. 1, with the lid closed. The back view of a plastic container of FIG. 1, with the lid closed, is a mirror image of the front view.

FIG. 5 is a side view of a plastic container of FIG. 1, with the lid closed. The opposite side view of the plastic container of FIG. 1, with the lid closed, is a mirror image of the side view.

FIG. 6 is a top view of a plastic container of FIG. 1; and,

FIG. 7 is a bottom view of a plastic container of FIG. 1.

1 Claim, 7 Drawing Sheets



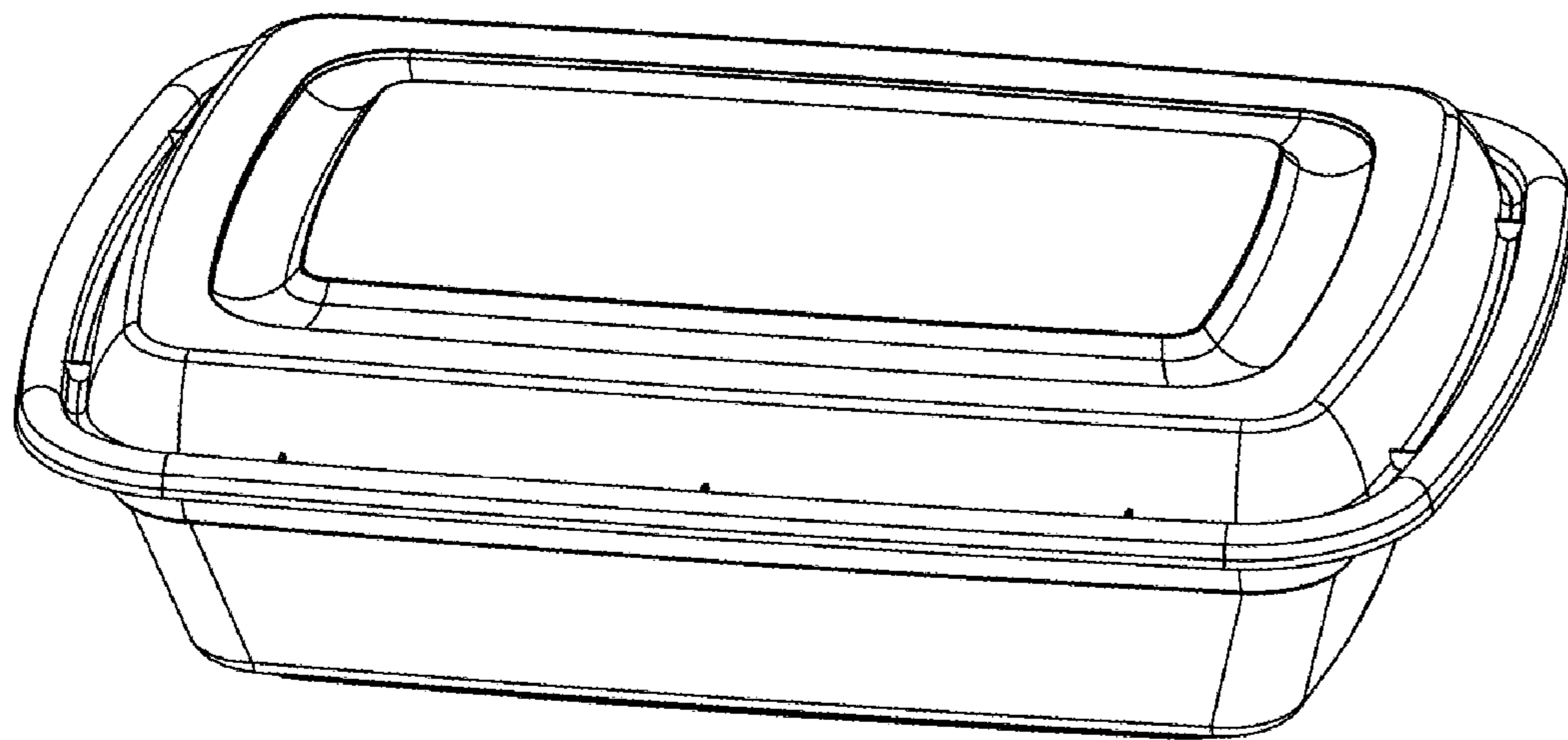


FIG. 1

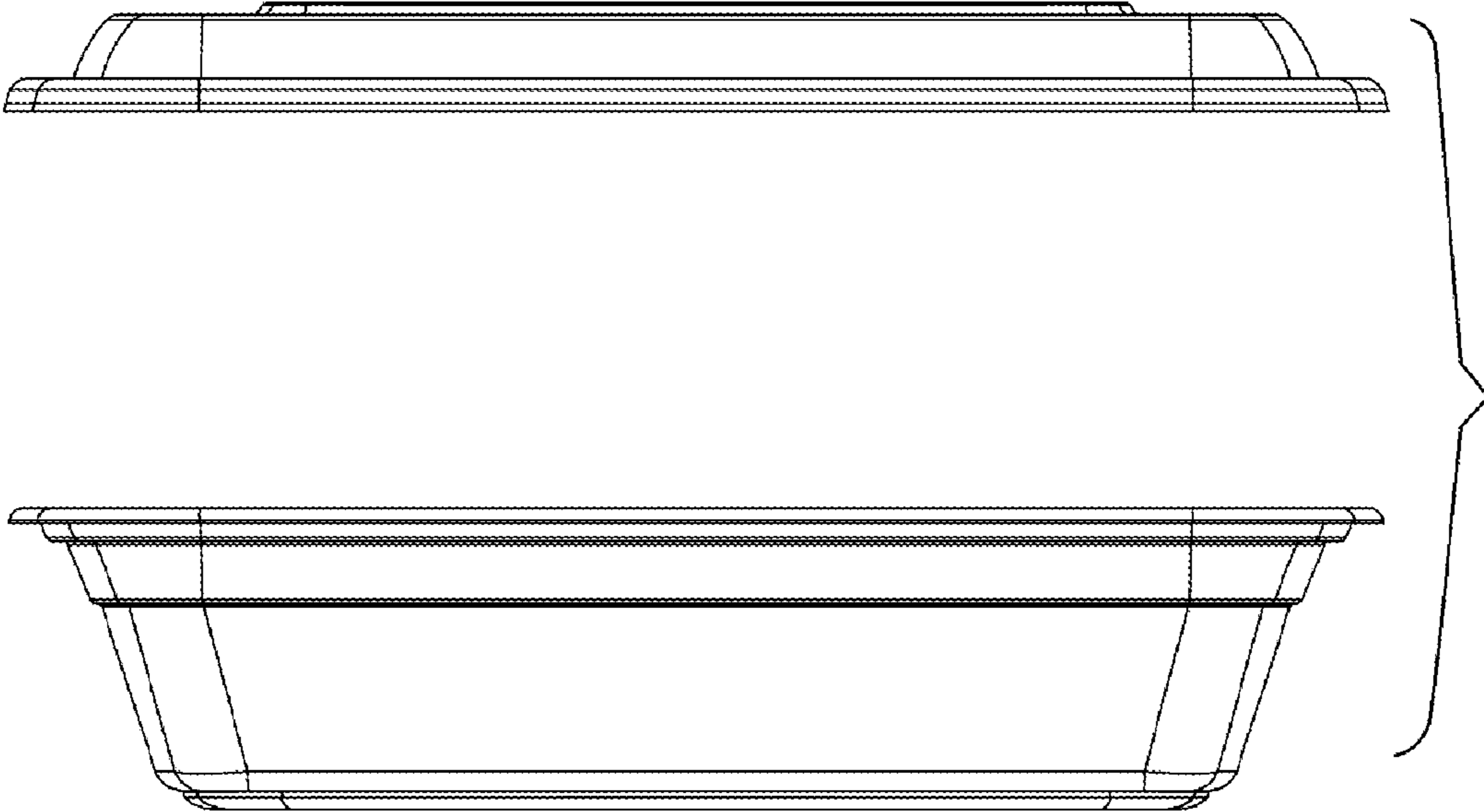


FIG. 2

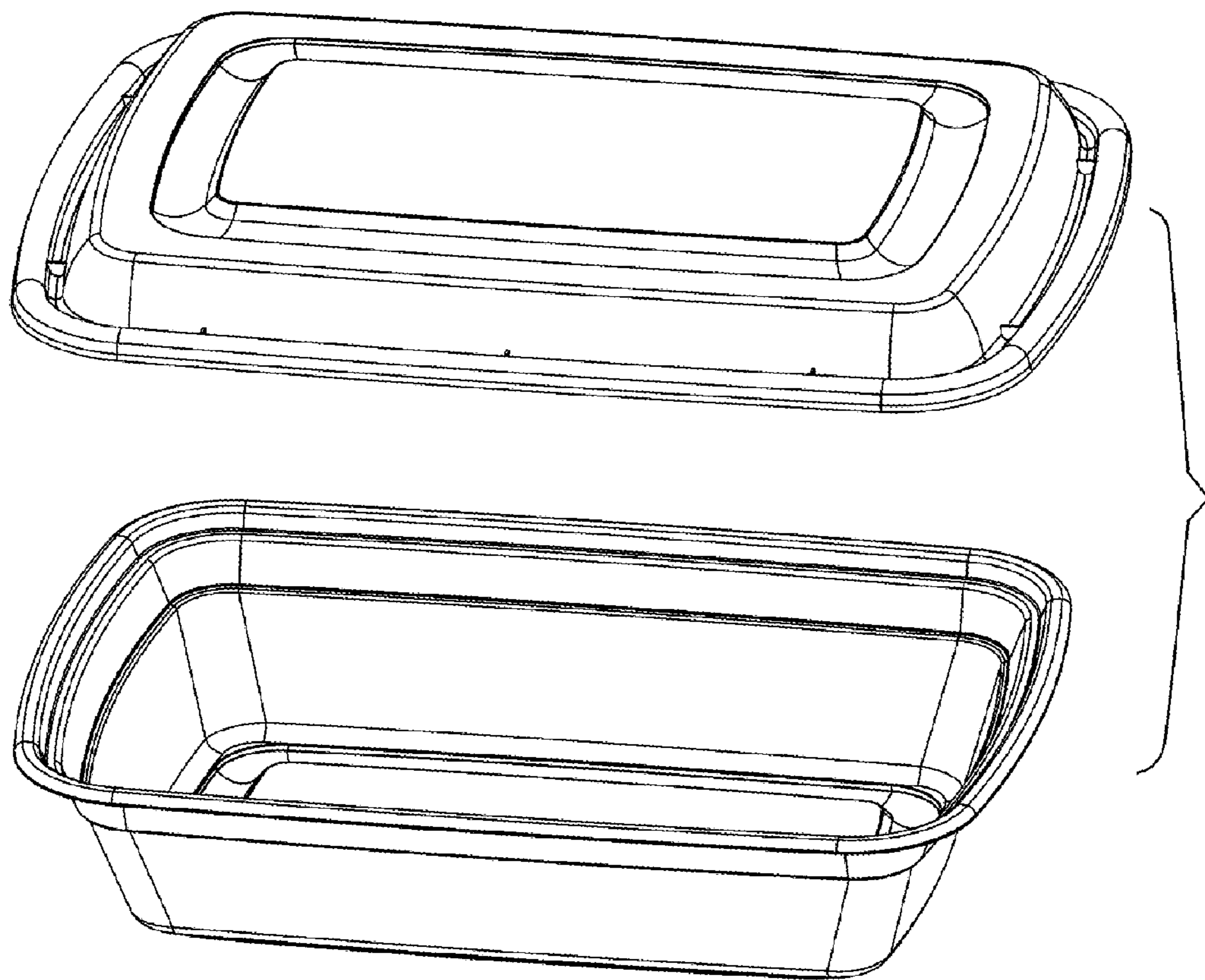


FIG. 3

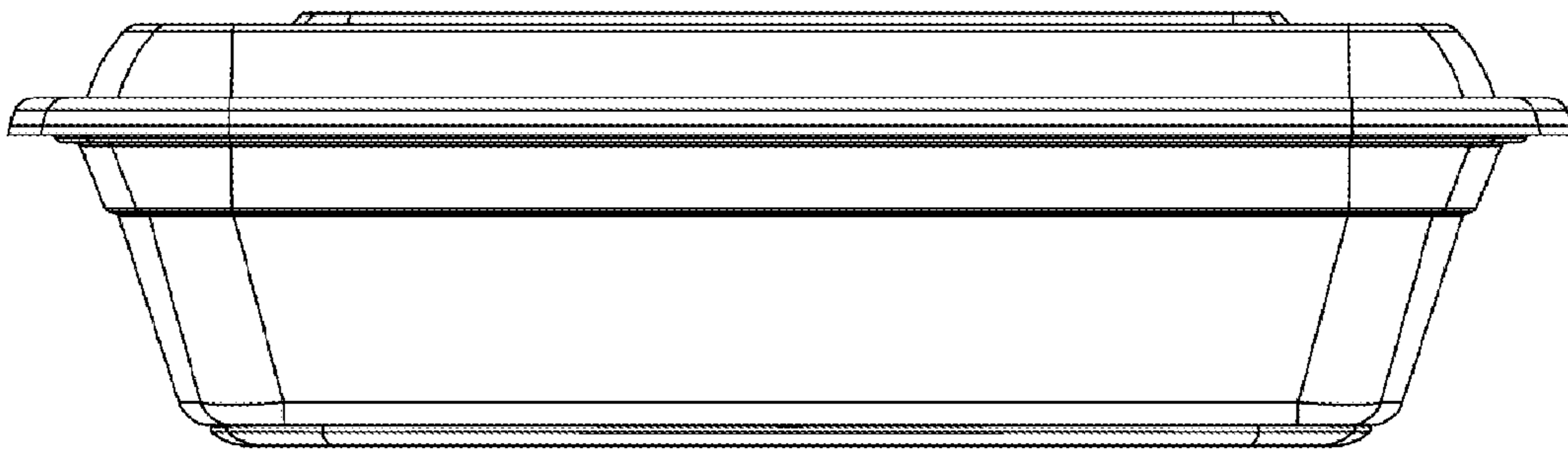


FIG. 4

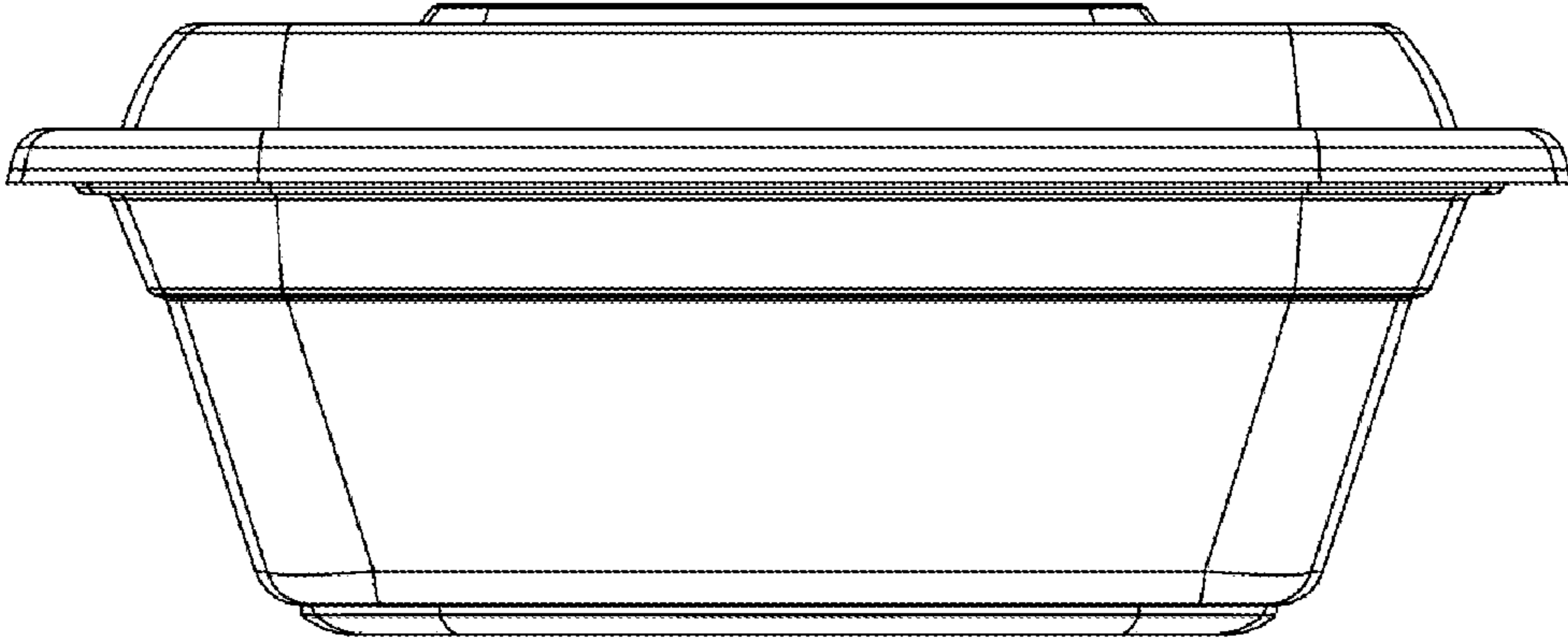


FIG. 5

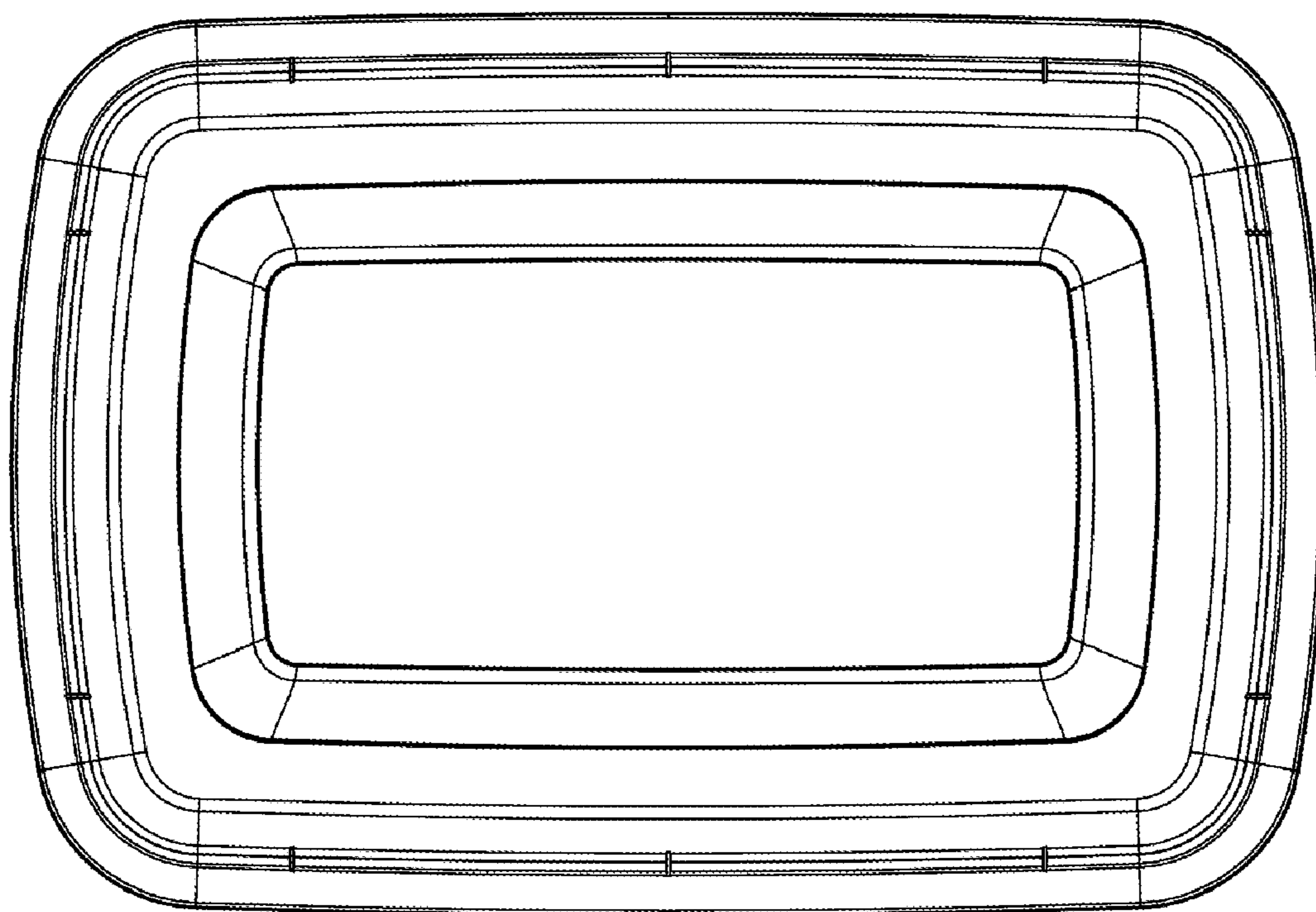


FIG. 6

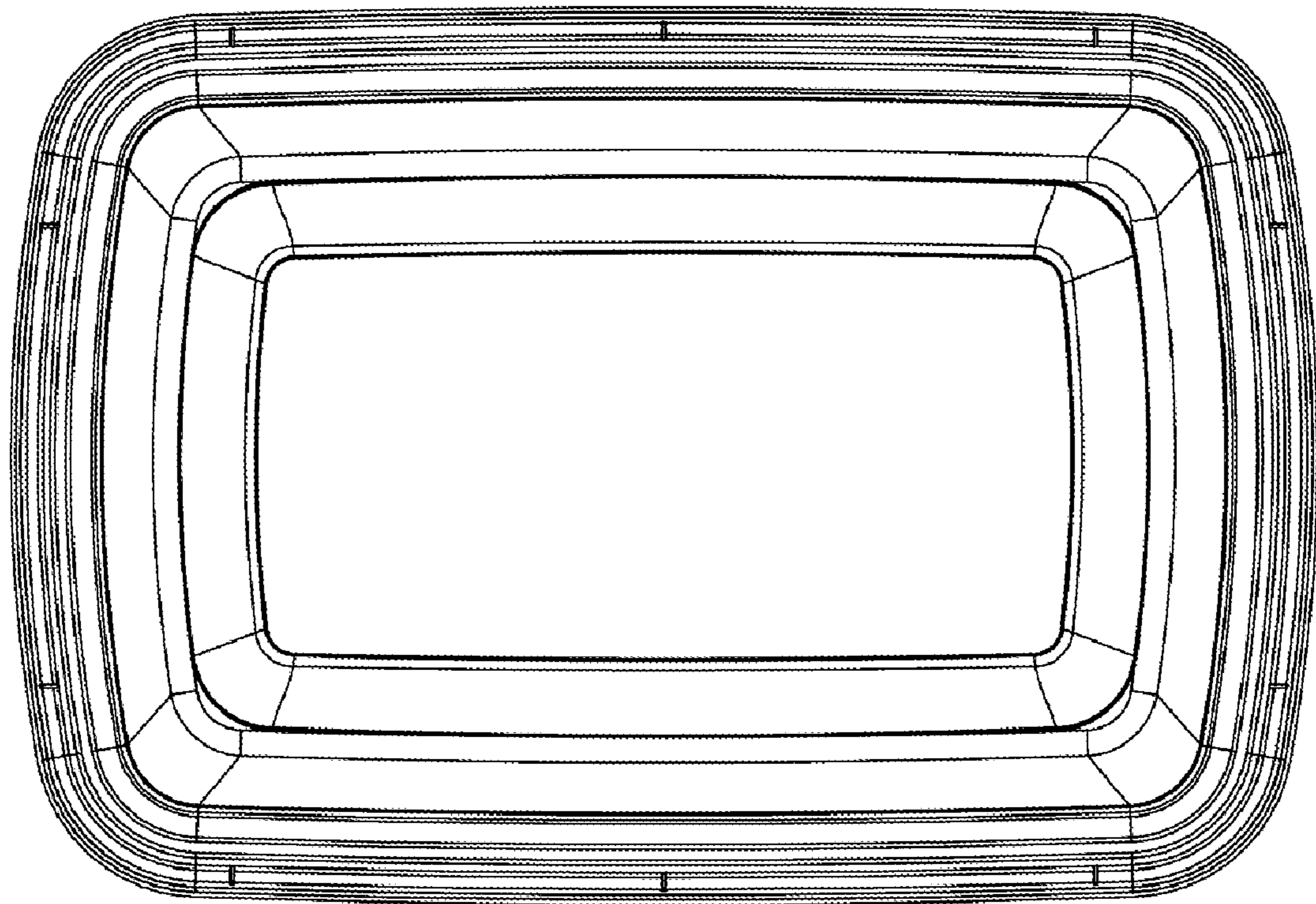


FIG. 7