



US00D664425S

(12) **United States Design Patent**  
**Krupa**

(10) **Patent No.:** **US D664,425 S**

(45) **Date of Patent:** **\*\* Jul. 31, 2012**

(54) **CLAMSHELL**

(76) **Inventor:** **Calvin S. Krupa**, Greenfield, MN (US)

(\*\*) **Term:** **14 Years**

(21) **Appl. No.:** **29/386,288**

(22) **Filed:** **Feb. 28, 2011**

(51) **LOC (9) Cl.** ..... **09-03**

(52) **U.S. Cl.** ..... **D9/420; D9/425**

(58) **Field of Classification Search** ..... D9/414-416,  
D9/418-421, 423-428, 430-432, 434; D3/302,  
D3/314; 206/119, 464, 470, 508, 545, 806;  
220/4.22-4.24, 574, 604-608, 659, 675,  
220/781-782, 793, 835, 839, DIG. 14; 229/406,  
229/407, 902; D7/396.1, 392.1, 394, 538,  
D7/543-545, 550.1, 551, 554.3, 587, 566,  
D7/584, 586, 629, 667; 221/191; D23/355-366;  
219/725, 735

See application file for complete search history.

(56) **References Cited**

**U.S. PATENT DOCUMENTS**

5,036,997 A \* 8/1991 May et al. .... 220/832  
D354,436 S \* 1/1995 Krupa ..... D9/423

5,897,011 A \* 4/1999 Brilliant et al. .... 220/4.23  
D503,336 S \* 3/2005 Tucker et al. .... D9/425  
D553,489 S \* 10/2007 Lambert et al. .... D9/420  
D641,616 S \* 7/2011 Prevost ..... D9/420

\* cited by examiner

*Primary Examiner* — Thomas Johannes

(74) *Attorney, Agent, or Firm* — Alan Kamrath; Kamrath IP  
Lawfirm, PA

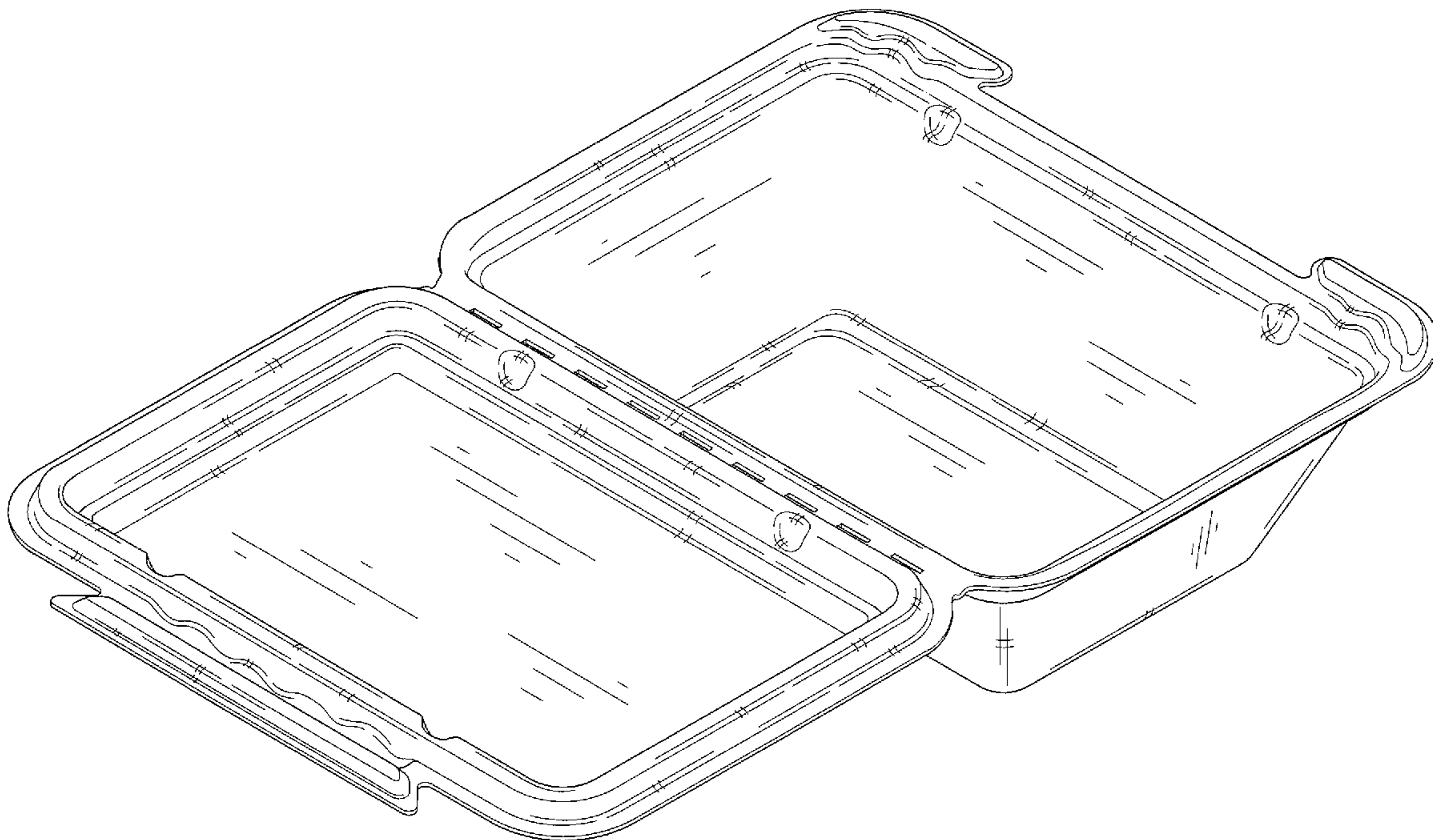
(57) **CLAIM**

The ornamental design for a clamshell, as shown and  
described.

**DESCRIPTION**

FIG. 1 is a top perspective view of a clamshell, showing my  
new design;  
FIG. 2 is a bottom perspective view thereof;  
FIG. 3 is a side elevational view thereof, with the opposite  
side being a mirror image thereof;  
FIG. 4 is a front view thereof;  
FIG. 5 is a rear view thereof;  
FIG. 6 is a top view thereof; and,  
FIG. 7 is a bottom view thereof.

**1 Claim, 7 Drawing Sheets**



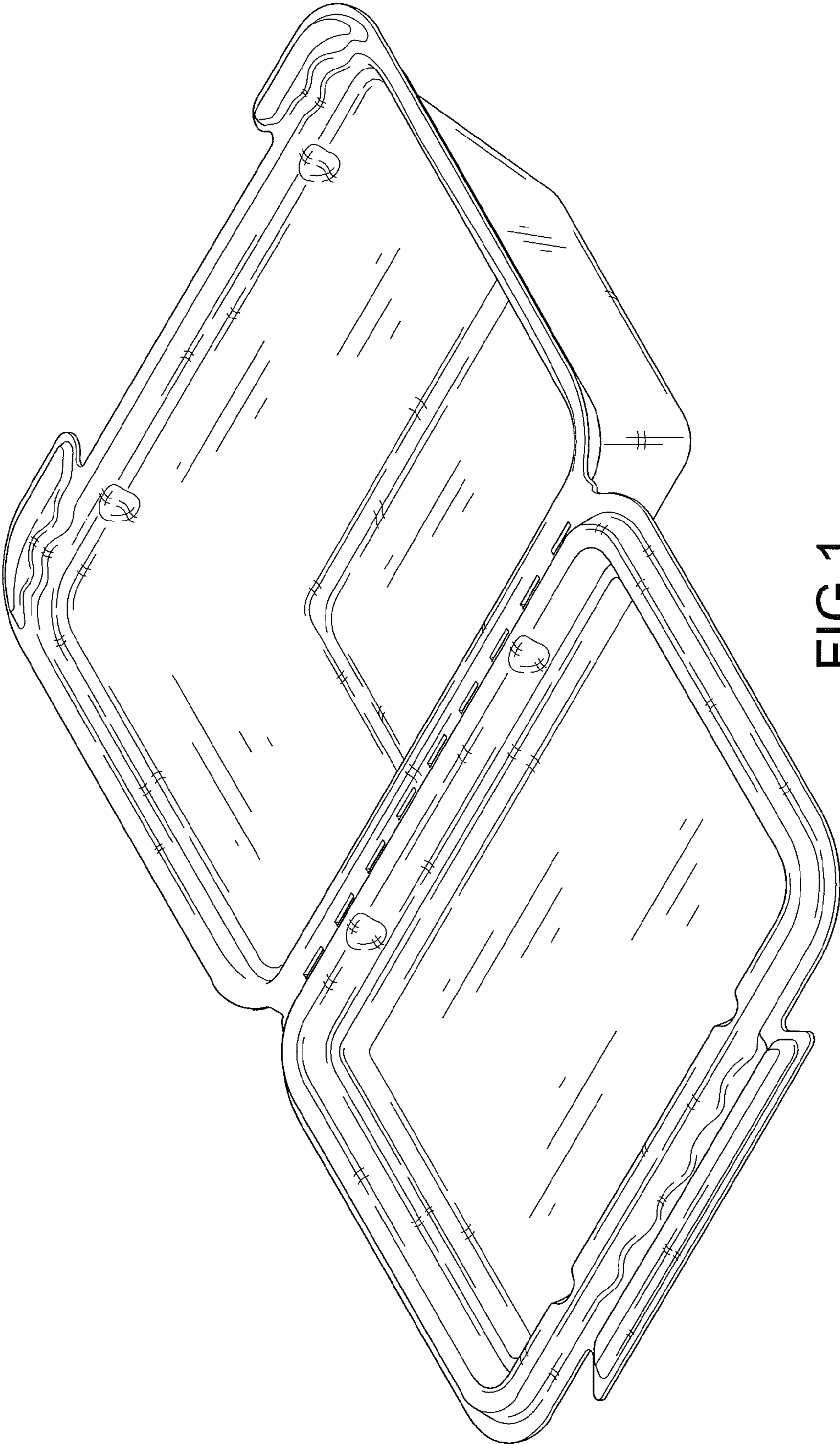


FIG.1

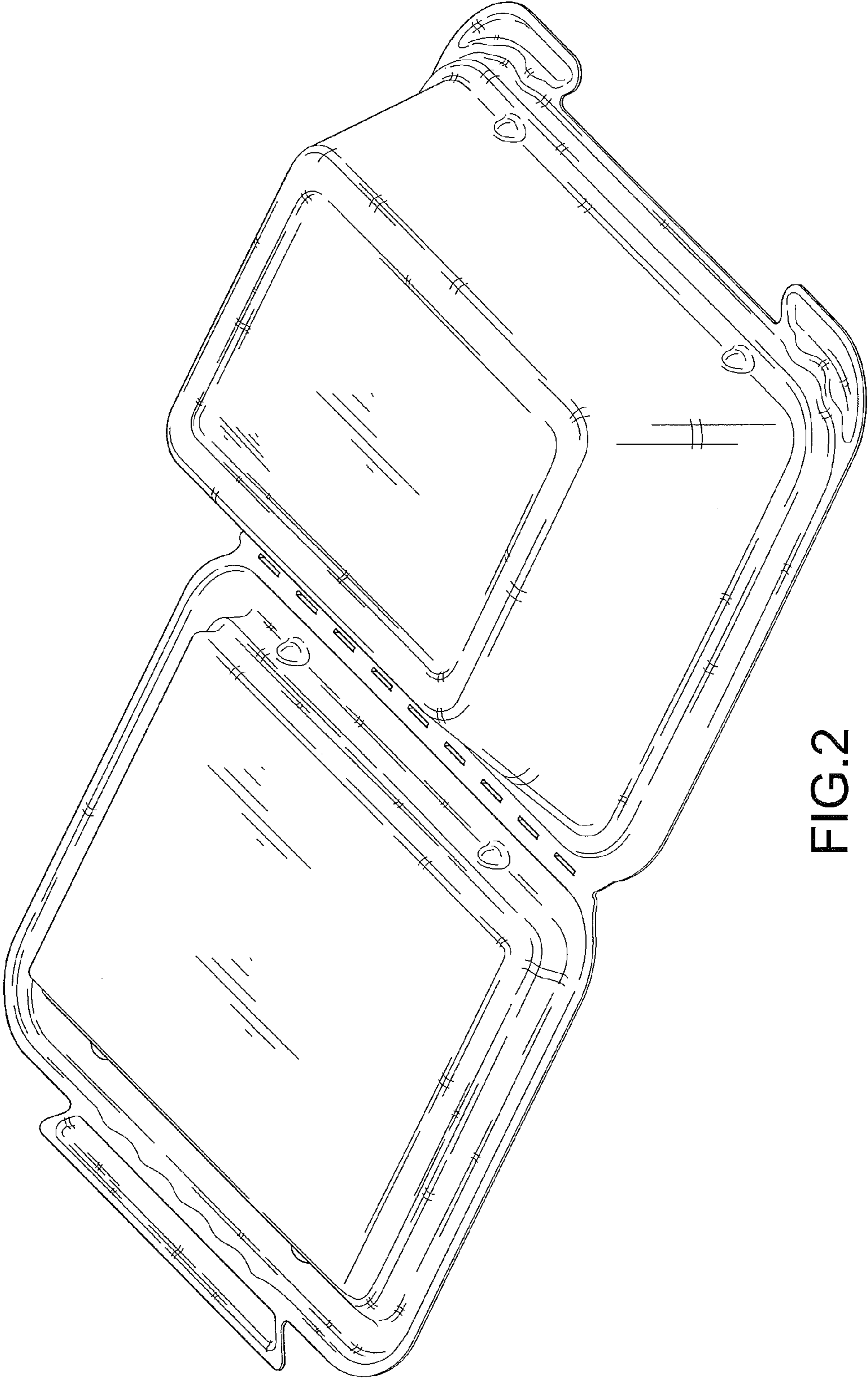


FIG.2

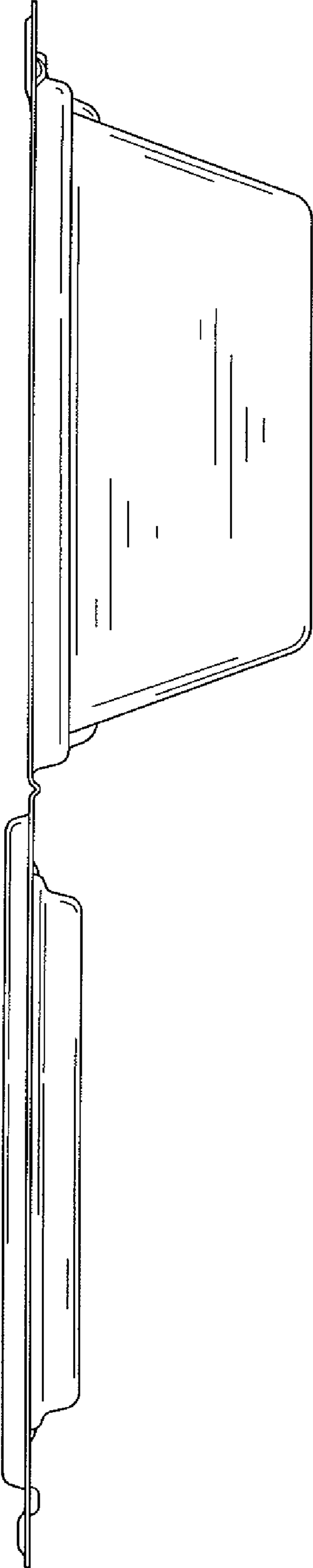


FIG. 3

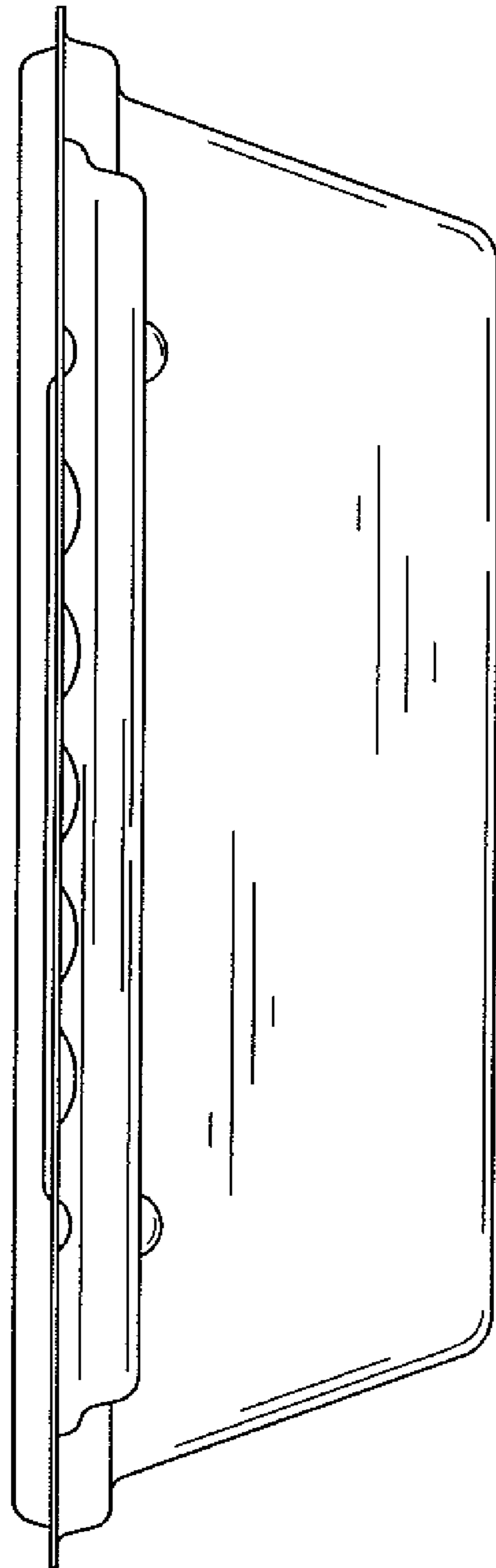


FIG.4

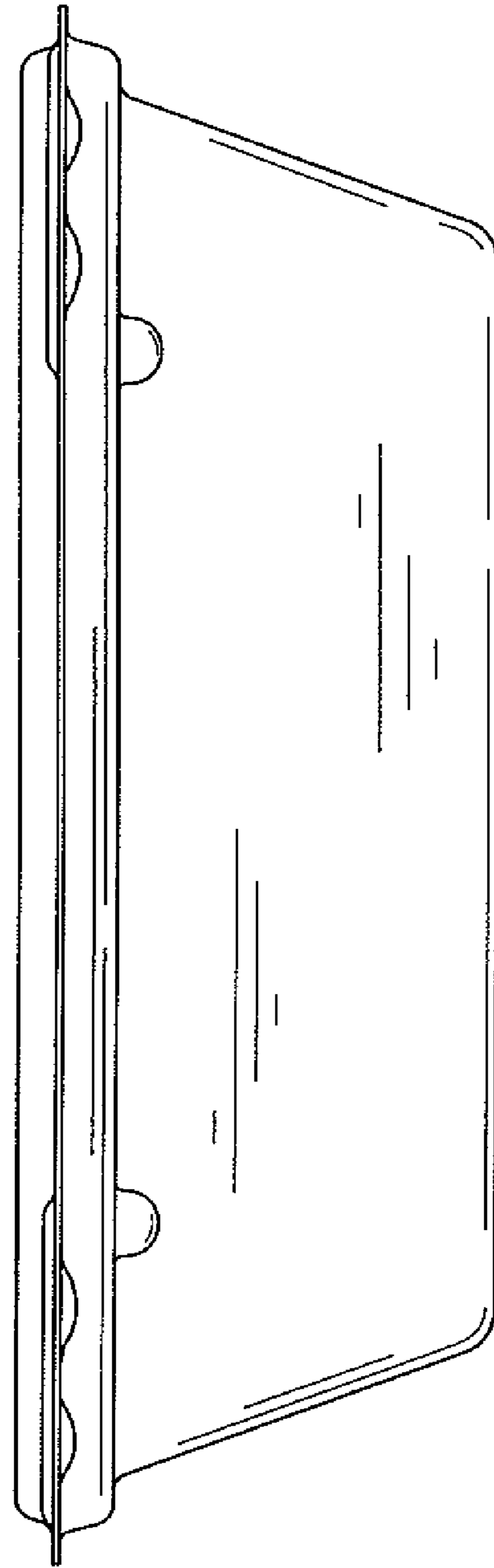


FIG. 5

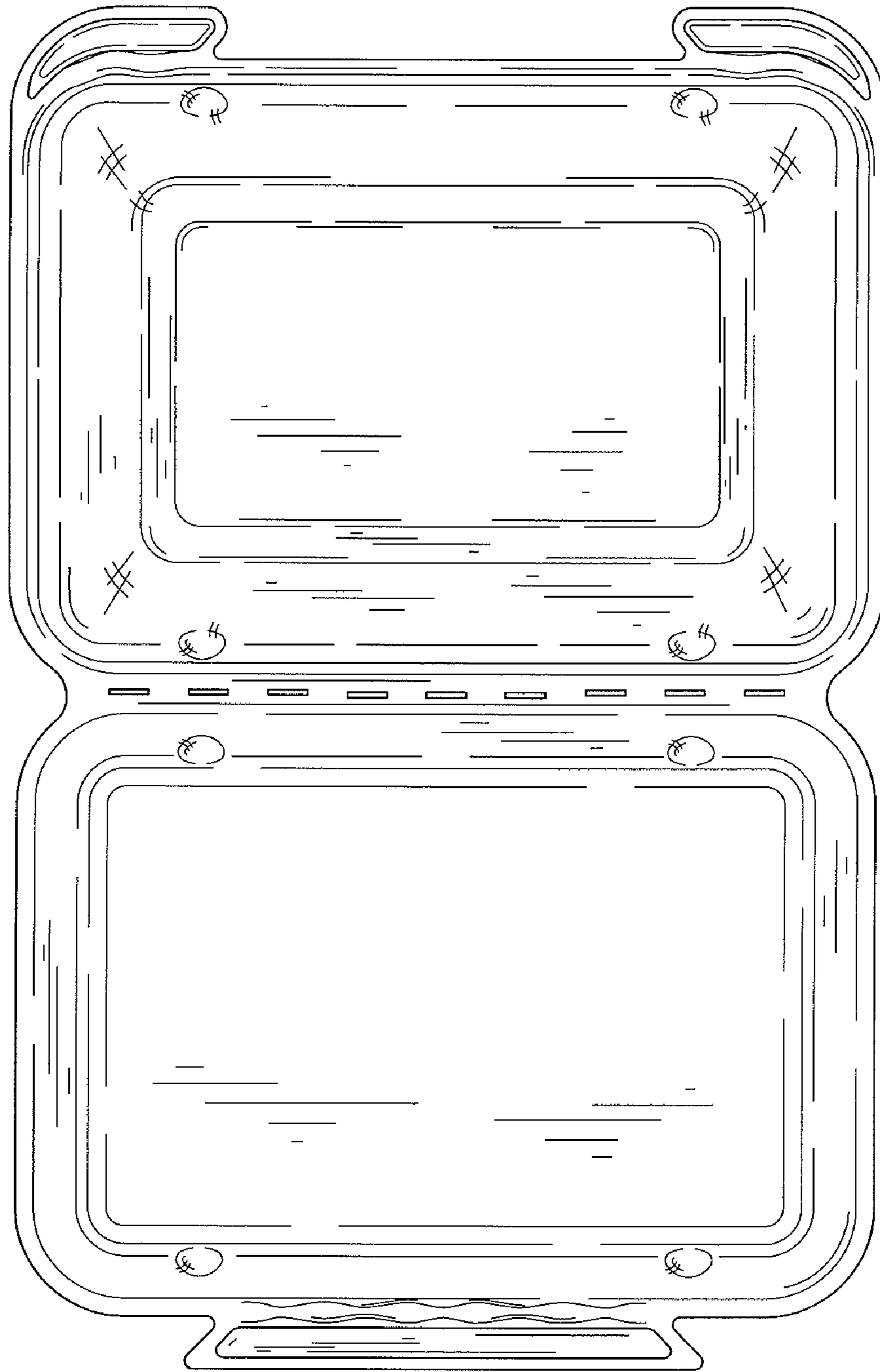


FIG.6

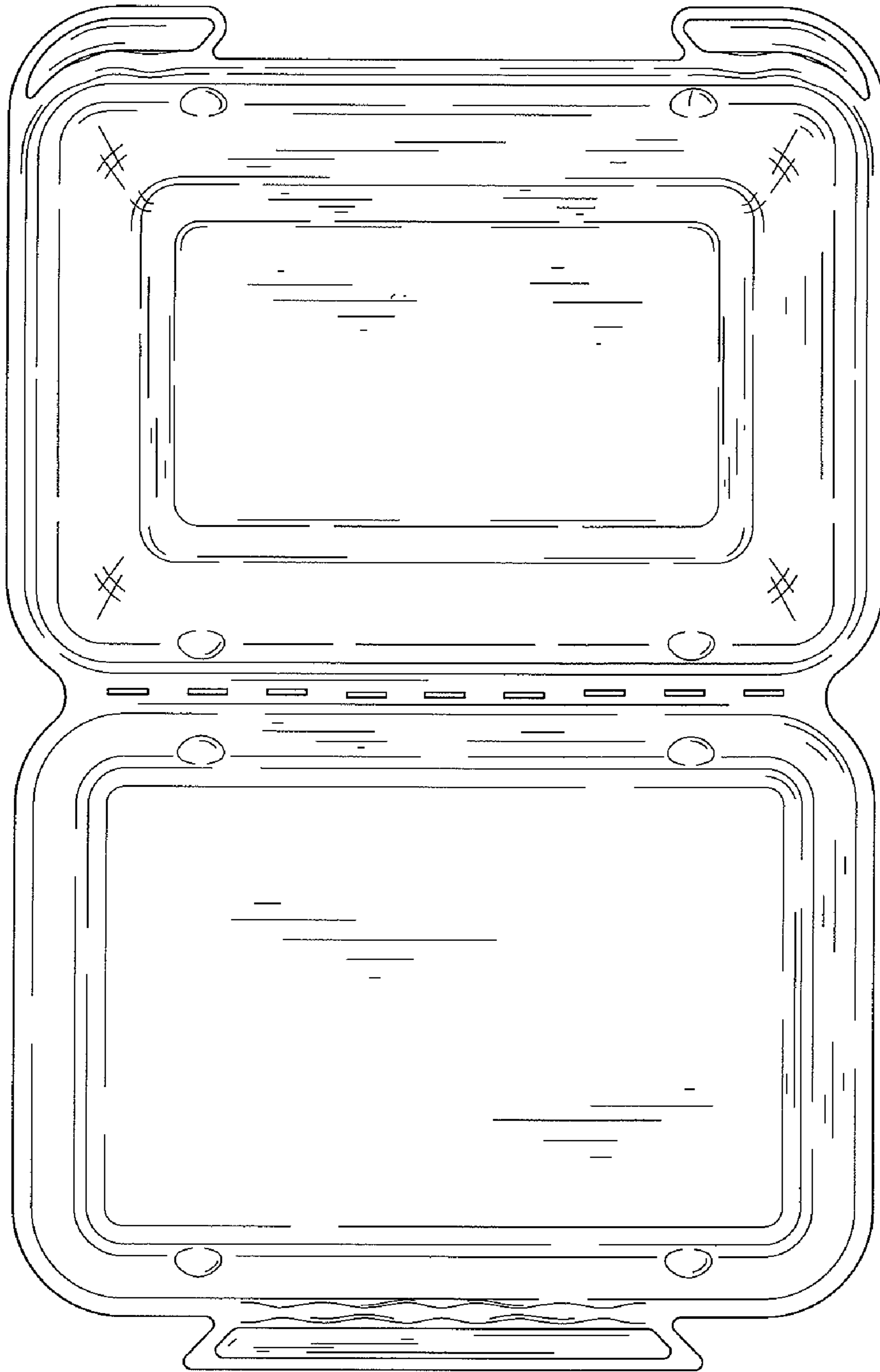


FIG.7