



US00D664424S

(12) **United States Design Patent**
Cittadino et al.

(10) **Patent No.:** **US D664,424 S**
(45) **Date of Patent:** **** Jul. 31, 2012**

(54) **HOOKLESS SHOWER LINER FASTENER**
(75) Inventors: **Kyle Cittadino**, Wilmington, DE (US);
Joseph Vaccaro, West Chester, PA (US)
(73) Assignee: **Zenith Products Corporation**, New
Castle, DE (US)
(**) Term: **14 Years**
(21) Appl. No.: **29/408,006**

7,296,609 B2 11/2007 Zahner
D579,763 S * 11/2008 Uehara et al. D8/367
D603,688 S * 11/2009 Chiu D8/367
7,735,189 B2 6/2010 Richardson
7,788,733 B1 9/2010 Zahner
D625,988 S * 10/2010 Chan D8/367
D646,557 S * 10/2011 Chan D8/367
D647,389 S * 10/2011 Gracia D8/367
2008/0178423 A1 7/2008 Patel
2008/0202710 A1 8/2008 Zahner
2008/0229491 A1 9/2008 Gregory
2010/0065229 A1 3/2010 Hu

(Continued)

(22) Filed: **Dec. 6, 2011**

(51) **LOC (9) Cl.** **08-05**
(52) **U.S. Cl.** **D8/367**
(58) **Field of Classification Search** D8/367,
D8/376, 354, 349, 373, 323, 382, 328, 370;
D12/115; 294/143; 248/340, 301, 304; 211/118;
D6/328; D9/434; 16/87.2, 87.8; 160/330;
24/716

See application file for complete search history.

(56) **References Cited**

U.S. PATENT DOCUMENTS

D118,478 S 1/1940 Herschensohn
2,831,538 A 4/1958 Lishman
D223,230 S 4/1972 Kamins et al.
D318,378 S * 7/1991 Baekgaard, Sr. D6/315
5,111,868 A 5/1992 Sawaya
5,186,232 A 2/1993 Zahner
D343,113 S * 1/1994 Brooks D8/370
D375,673 S * 11/1996 Schowalter D8/367
5,769,144 A 6/1998 Carter
D419,856 S 2/2000 Richter
6,059,009 A 5/2000 Haiber
D426,764 S * 6/2000 Szabo D8/367
6,189,597 B1 2/2001 Cheng
6,317,904 B1 11/2001 Samelson
D458,831 S 6/2002 Selby
6,494,248 B1 12/2002 Zahner
6,546,571 B2 4/2003 Samelson
6,766,848 B2 7/2004 Cheng
6,866,082 B1 3/2005 Zahner
6,935,402 B2 8/2005 Zahner
7,058,988 B1 6/2006 Zahner
D551,950 S 10/2007 Davenport

OTHER PUBLICATIONS

Hookless Shower Curtains, downloaded from web page: www.
shower-curtains.com/hookless-shower-curtains.html, download
date: Oct. 11, 2011, original posting date: unknown, x pages.

(Continued)

Primary Examiner — Cynthia Underwood
(74) *Attorney, Agent, or Firm* — Panitch Schwarze
Belisario & Nadel LLP

(57) **CLAIM**

The ornamental design for a hookless shower liner fastener,
as shown and described.

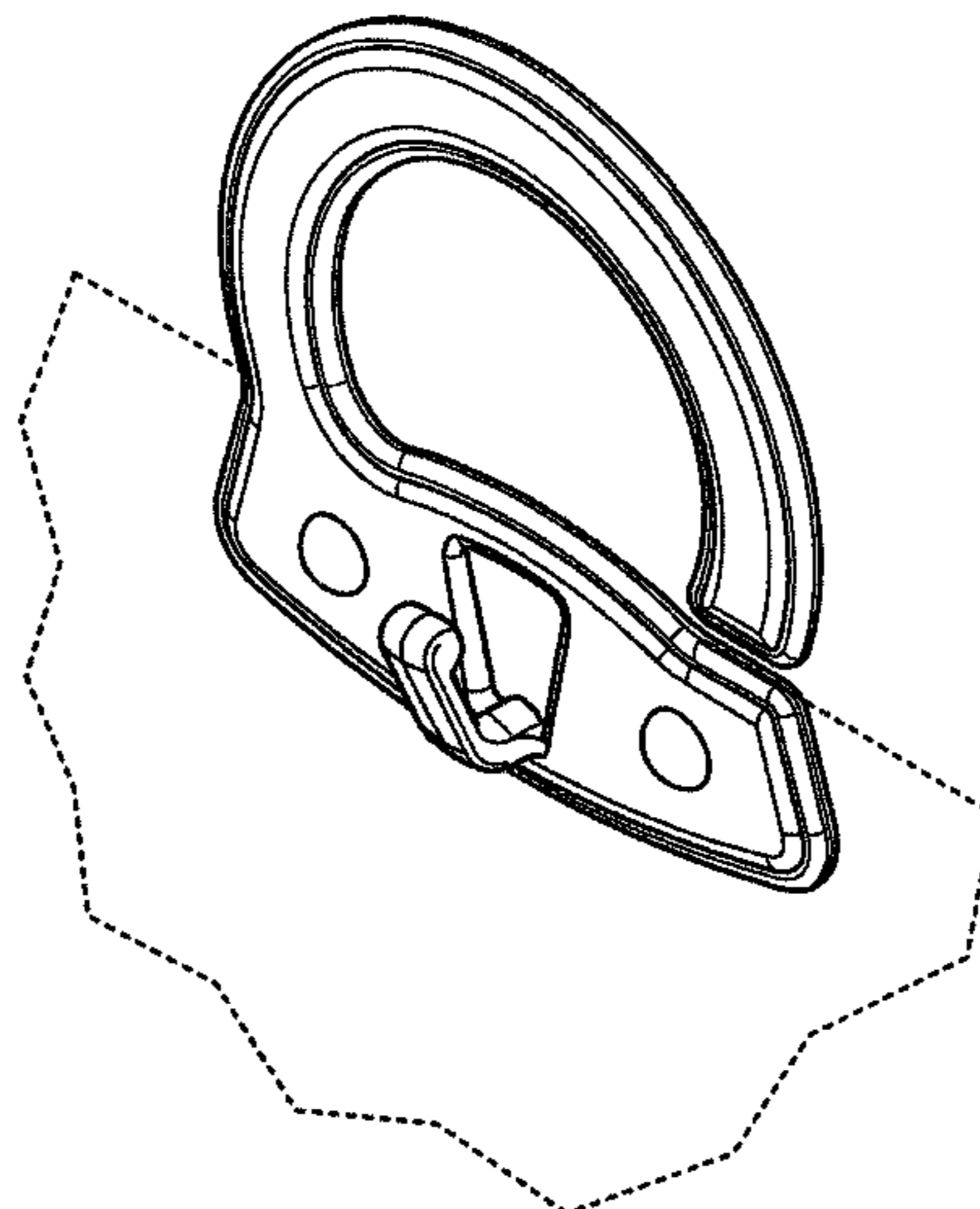
DESCRIPTION

FIG. 1 is a front perspective view of a hookless shower liner
fastener in accordance with my new design;
FIG. 2 is a front elevational view thereof;
FIG. 3 is a left-side elevational view thereof;
FIG. 4 is a right-side elevational view thereof;
FIG. 5 is a top plan view thereof; and,
FIG. 6 is a bottom plan view thereof.

The broken lines in the figures are for illustrative purposes
only and form no part of the claimed design.

The rear elevational view of the hookless shower liner fas-
tener is not shown in the drawings or described in the speci-
fication and, therefore, forms no part of the claimed design.

1 Claim, 2 Drawing Sheets



US D664,424 S

Page 2

U.S. PATENT DOCUMENTS

2010/0319858 A1 12/2010 Freedland
2011/0088231 A1 4/2011 Henry et al.
2011/0219533 A1 9/2011 Hu et al.
2011/0219534 A1 9/2011 Hu et al.

OTHER PUBLICATIONS

White Double H Hookless Shower Curtain, downloaded from web page: Shower-Curtains.com, download date: Oct. 11, 2011, original posting date: unknown, 2 pages.

* cited by examiner

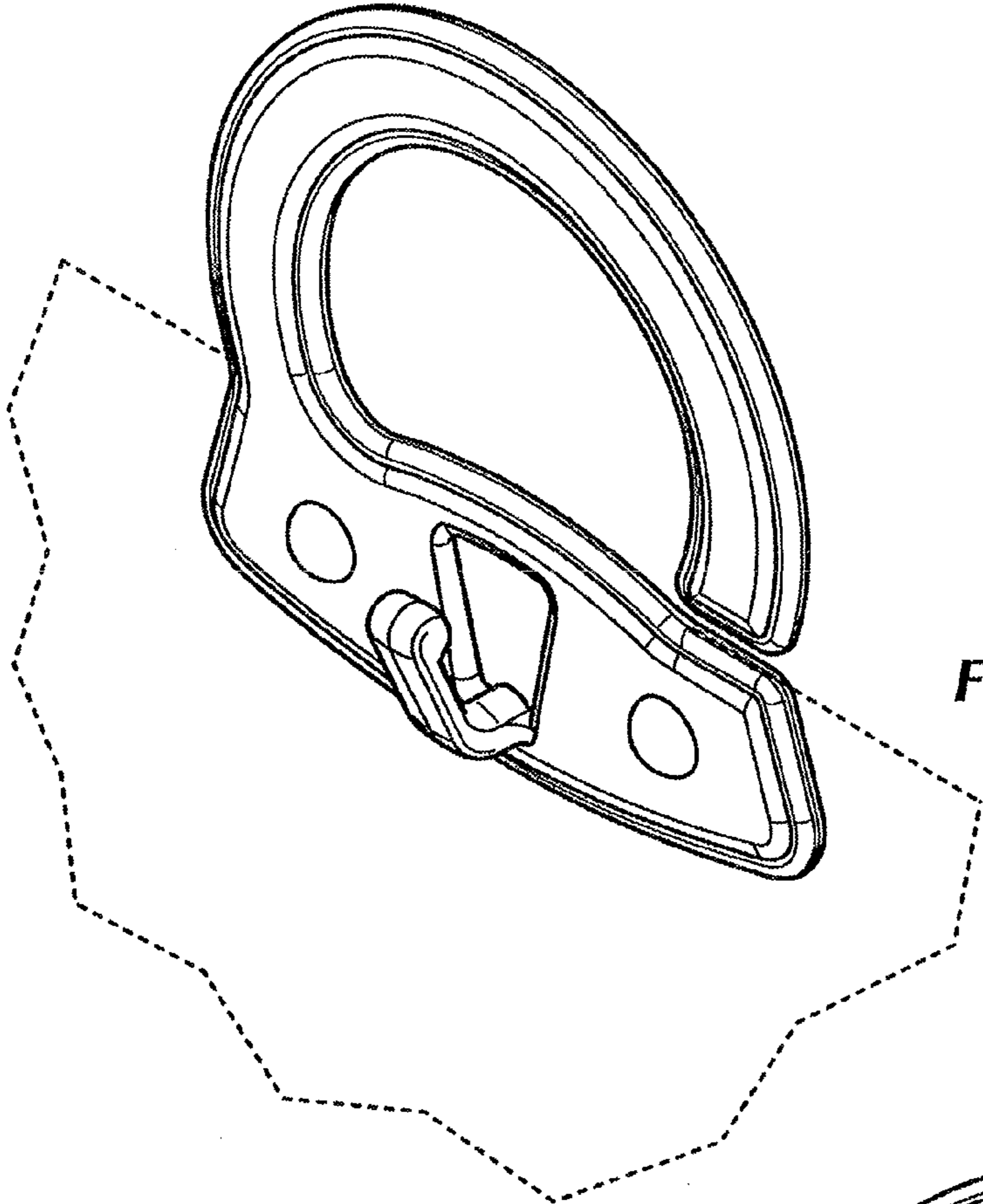


FIG. 1

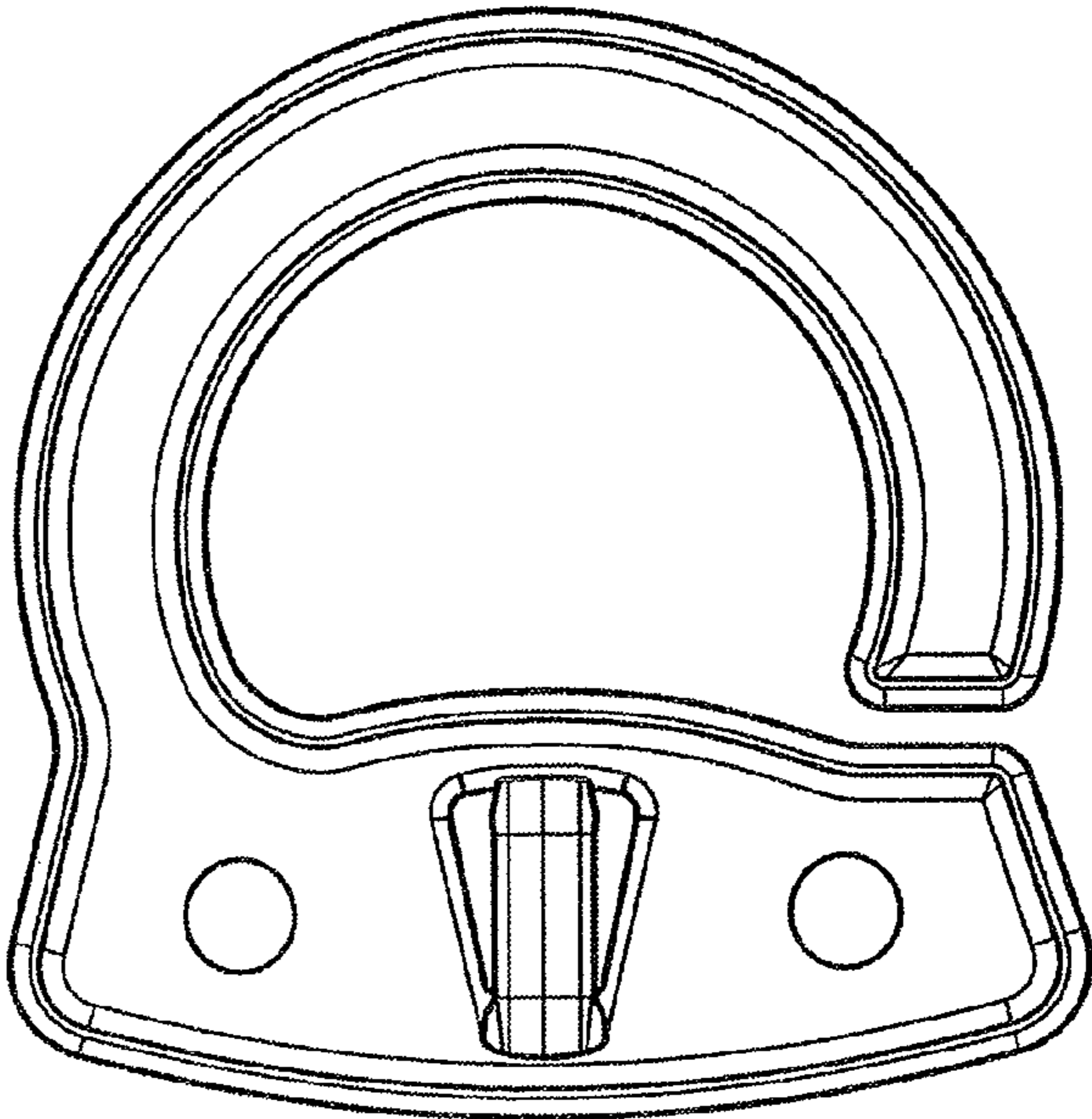


FIG. 2

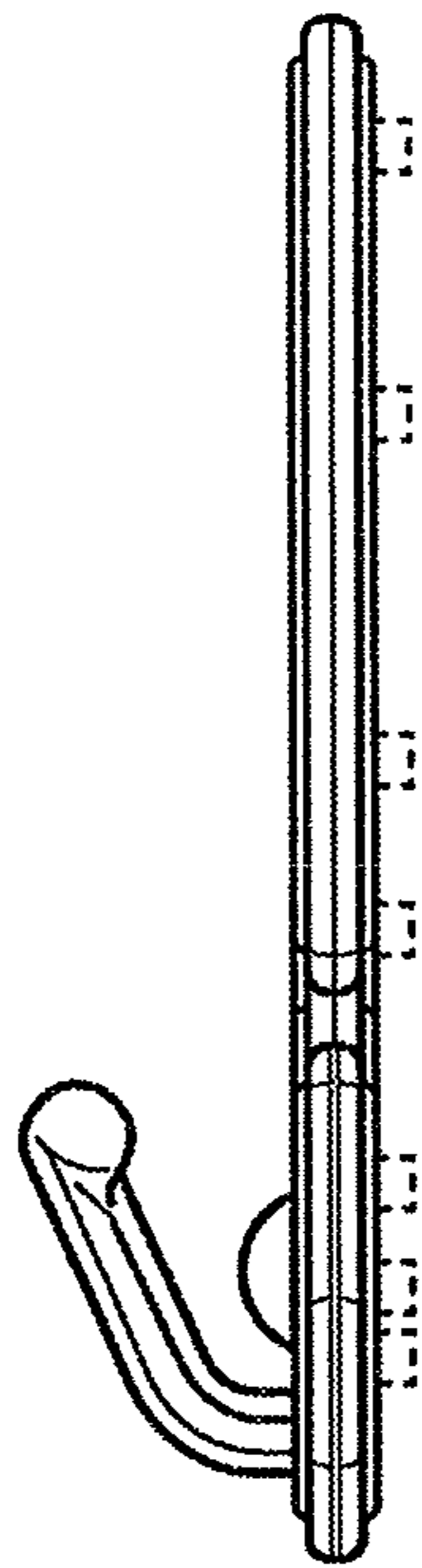


FIG. 3

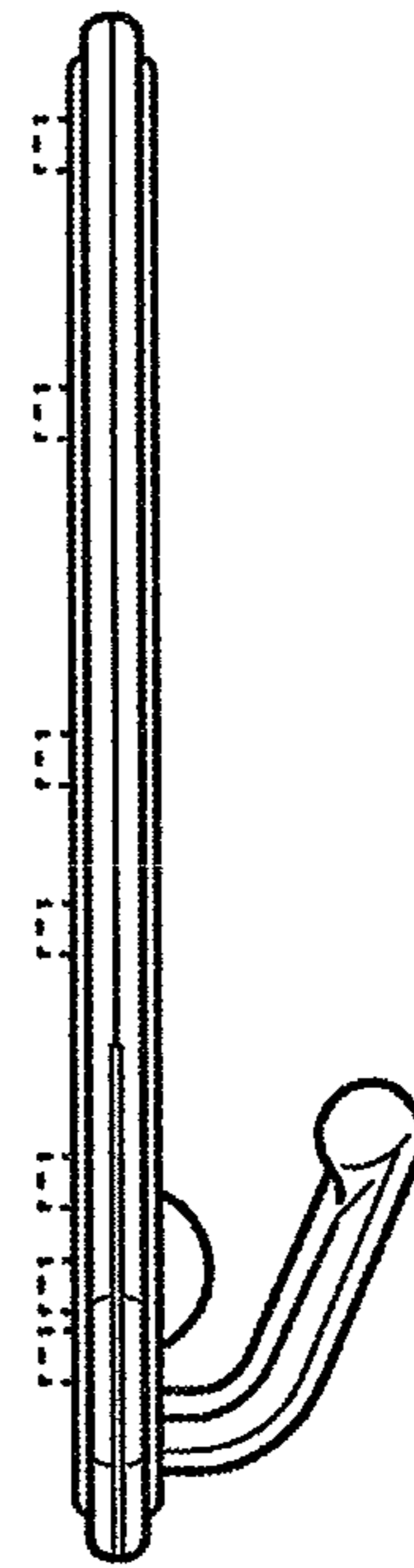


FIG. 4

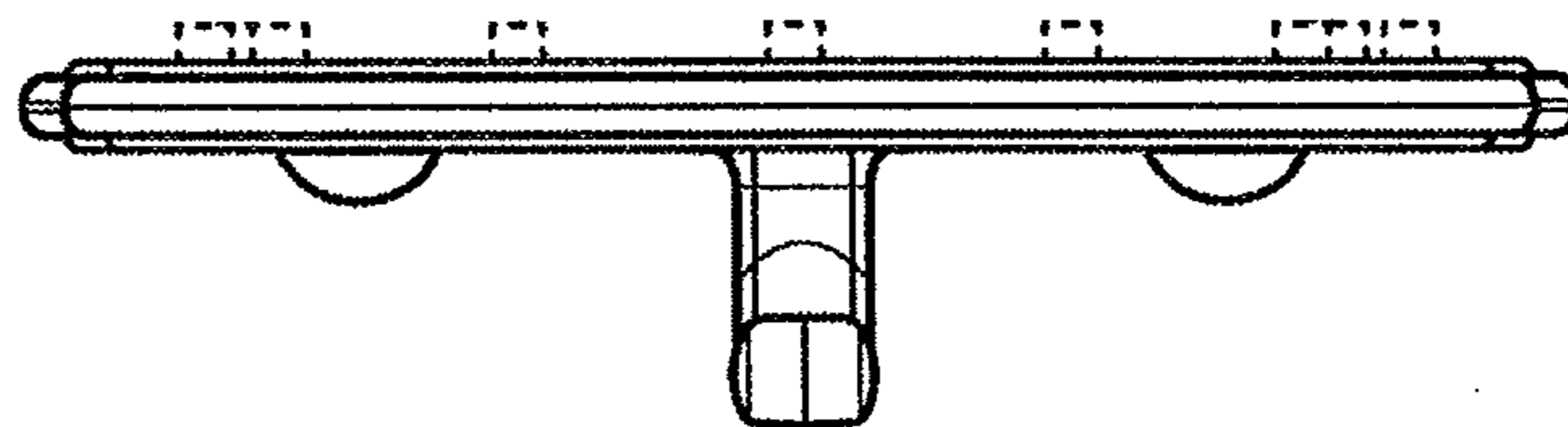


FIG. 5

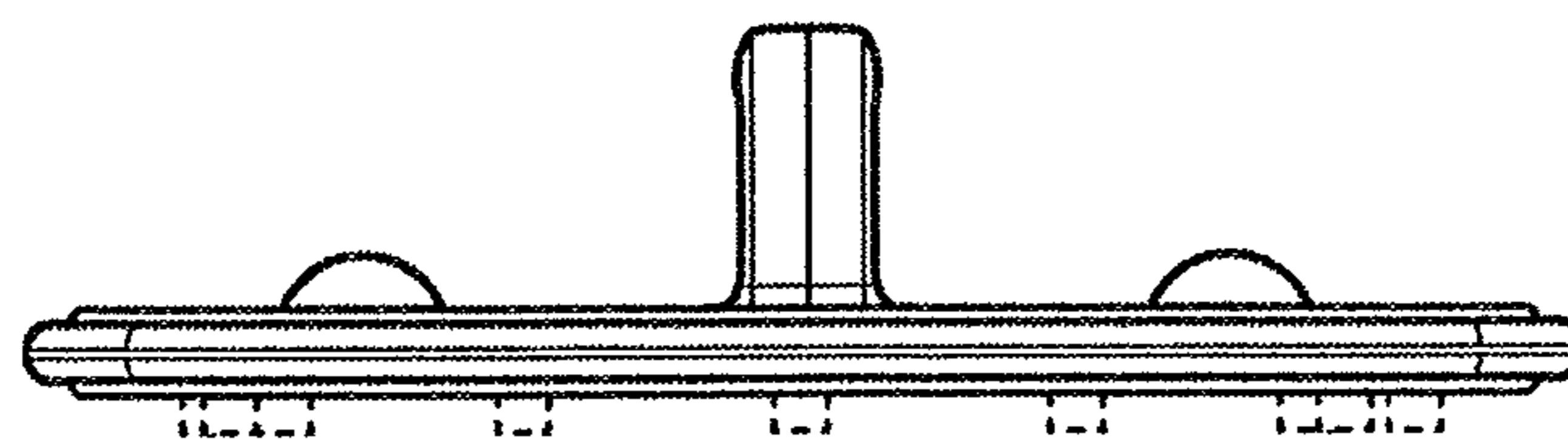


FIG. 6