



US00D664422S

(12) **United States Design Patent**
Wu

(10) **Patent No.:** **US D664,422 S**

(45) **Date of Patent:** **** Jul. 31, 2012**

(54) **SUCTION-TYPE BRACKET**

(75) Inventor: **Shih-Piao Wu**, Changhua (TW)

(73) Assignee: **Jiin Haur Industrial Co., Ltd.**,
Changhua (TW)

(**) Term: **14 Years**

(21) Appl. No.: **29/399,803**

(22) Filed: **Aug. 18, 2011**

(51) **LOC (9) Cl.** **08-05**

(52) **U.S. Cl.** **D8/367**

(58) **Field of Classification Search** D8/367,
D8/354, 349, 323, 382, 328; 294/143; 211/118;
D12/115; 248/340

See application file for complete search history.

(56) **References Cited**

U.S. PATENT DOCUMENTS

D144,010	S	*	2/1946	Van Doren	D6/323
2,679,998	A	*	6/1954	Keller	248/205.3
3,912,211	A	*	10/1975	Topf	248/489
4,848,713	A	*	7/1989	Adams	248/206.2
5,078,356	A	*	1/1992	Adams	248/206.2
5,318,262	A	*	6/1994	Adams	248/205.8
5,595,364	A	*	1/1997	Protz, Jr.	248/205.5
5,730,413	A	*	3/1998	Chen	248/489
D407,567	S	*	4/1999	Barnett et al.	D6/328
D431,451	S	*	10/2000	Kuo	D8/373
6,308,923	B1	*	10/2001	Howard	248/205.5
6,519,818	B1	*	2/2003	Chang	24/599.4
6,550,735	B1	*	4/2003	Zheng	248/304
D595,565	S	*	7/2009	Robertson et al.	D8/354

D642,897	S	*	8/2011	Berkowitz	D8/367
D649,439	S	*	11/2011	McDuff et al.	D8/367
2003/0189147	A1	*	10/2003	Immerman	248/304

* cited by examiner

Primary Examiner — Cynthia Underwood

(74) *Attorney, Agent, or Firm* — Che-Yang Chen; Law
Office of Michael Chen

(57) **CLAIM**

The ornamental design for a suction-type bracket, as shown
and described.

DESCRIPTION

FIG. 1 is a perspective view of a suction-type bracket showing
my new design;

FIG. 2 is a front view of the embodiment shown in FIG. 1;

FIG. 3 is a rear view of the embodiment shown in FIG. 1, and
the broken lines are for illustrative purposes only and form no
part of the claim;

FIG. 4 is a left side view of the embodiment shown in FIG. 1;
FIG. 5 is a right side view of the embodiment shown in FIG.
1;

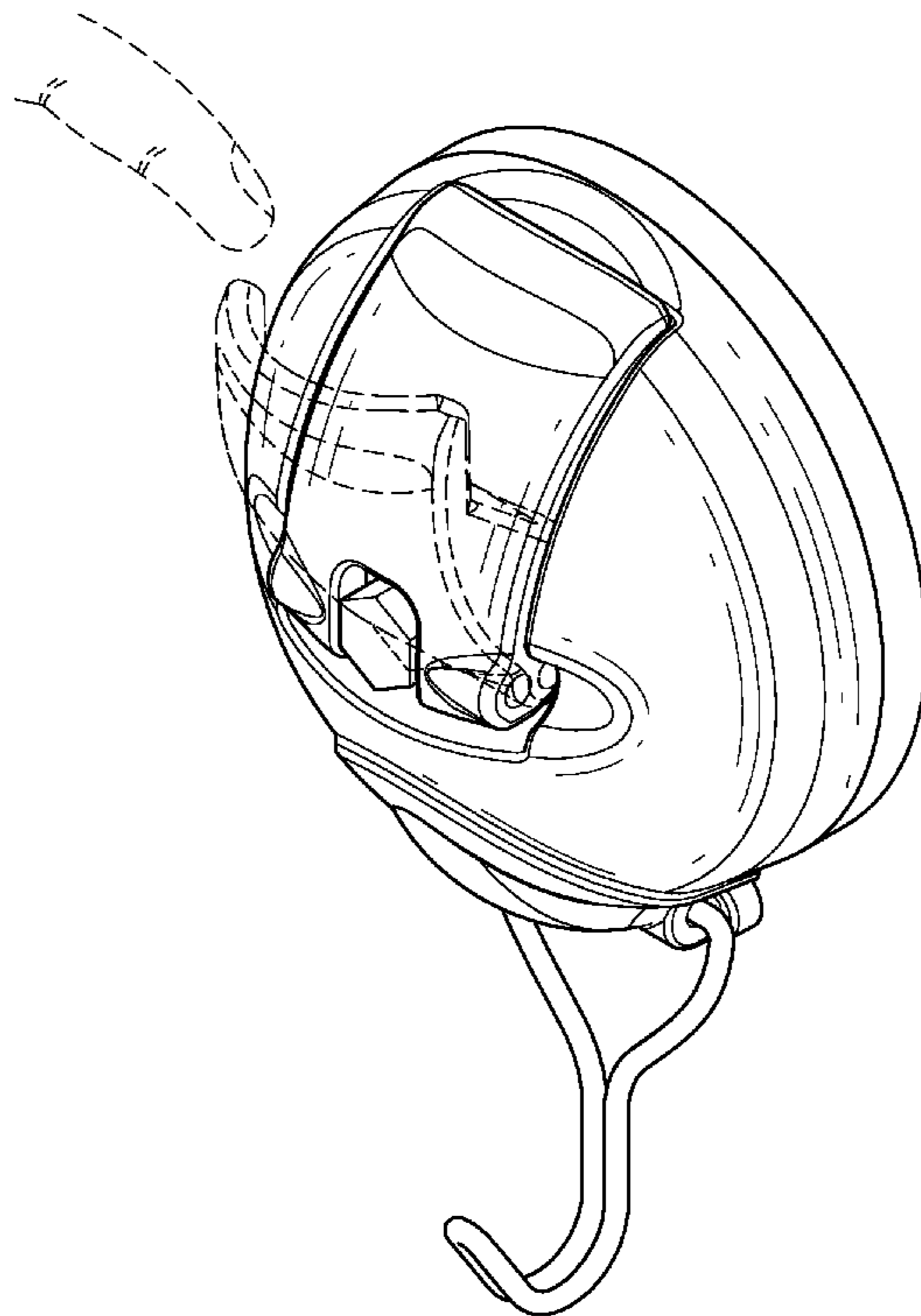
FIG. 6 is a top view of the embodiment shown in FIG. 1;

FIG. 7 is a bottom view of the embodiment shown in FIG. 1;
and,

FIG. 8 is a perspective schematic view illustrating an appli-
cation of a suction-type bracket showing my design.

The broken lines are for illustrative purposes only and form
no part of the claim.

1 Claim, 6 Drawing Sheets



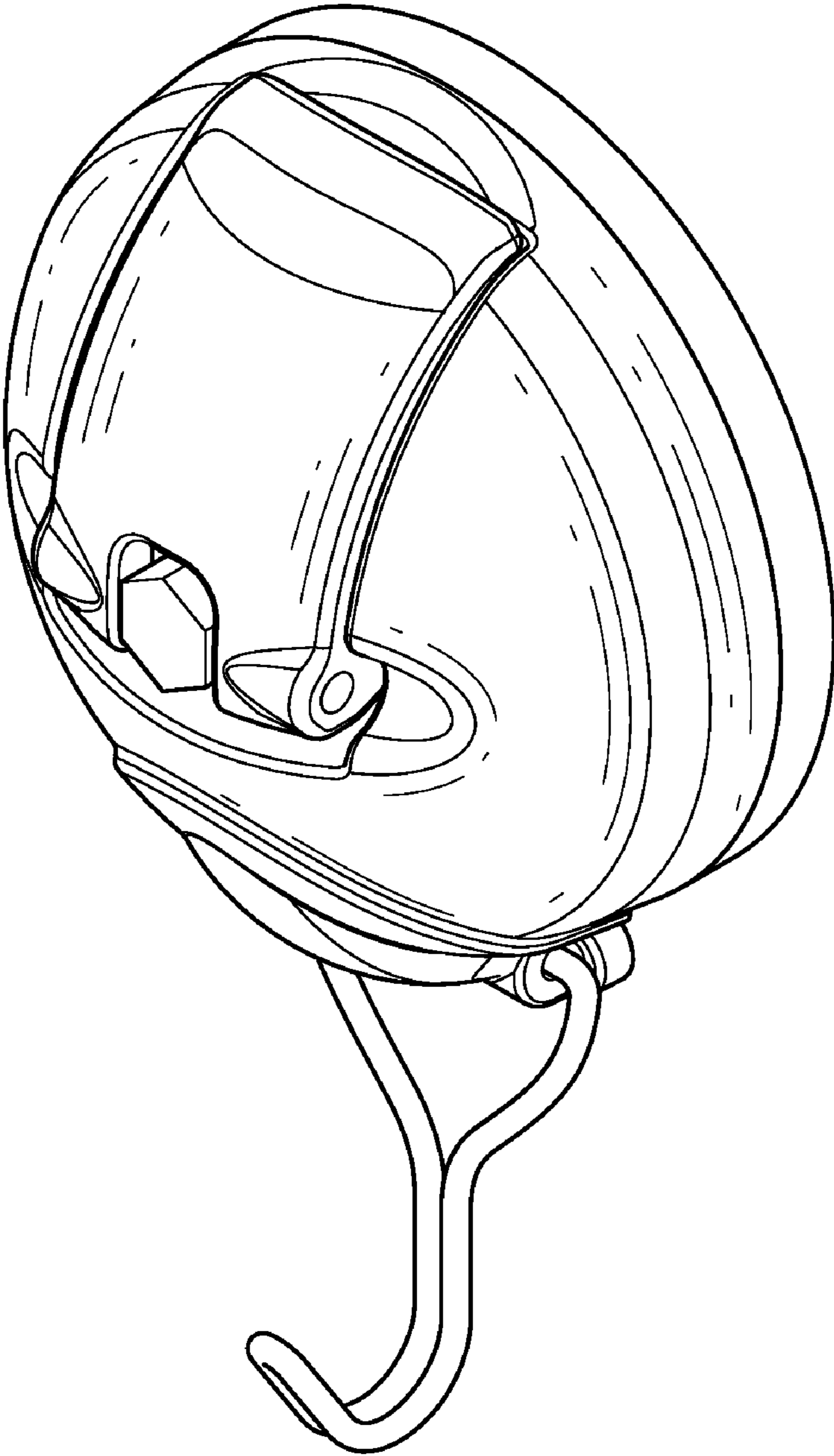


FIG. 1

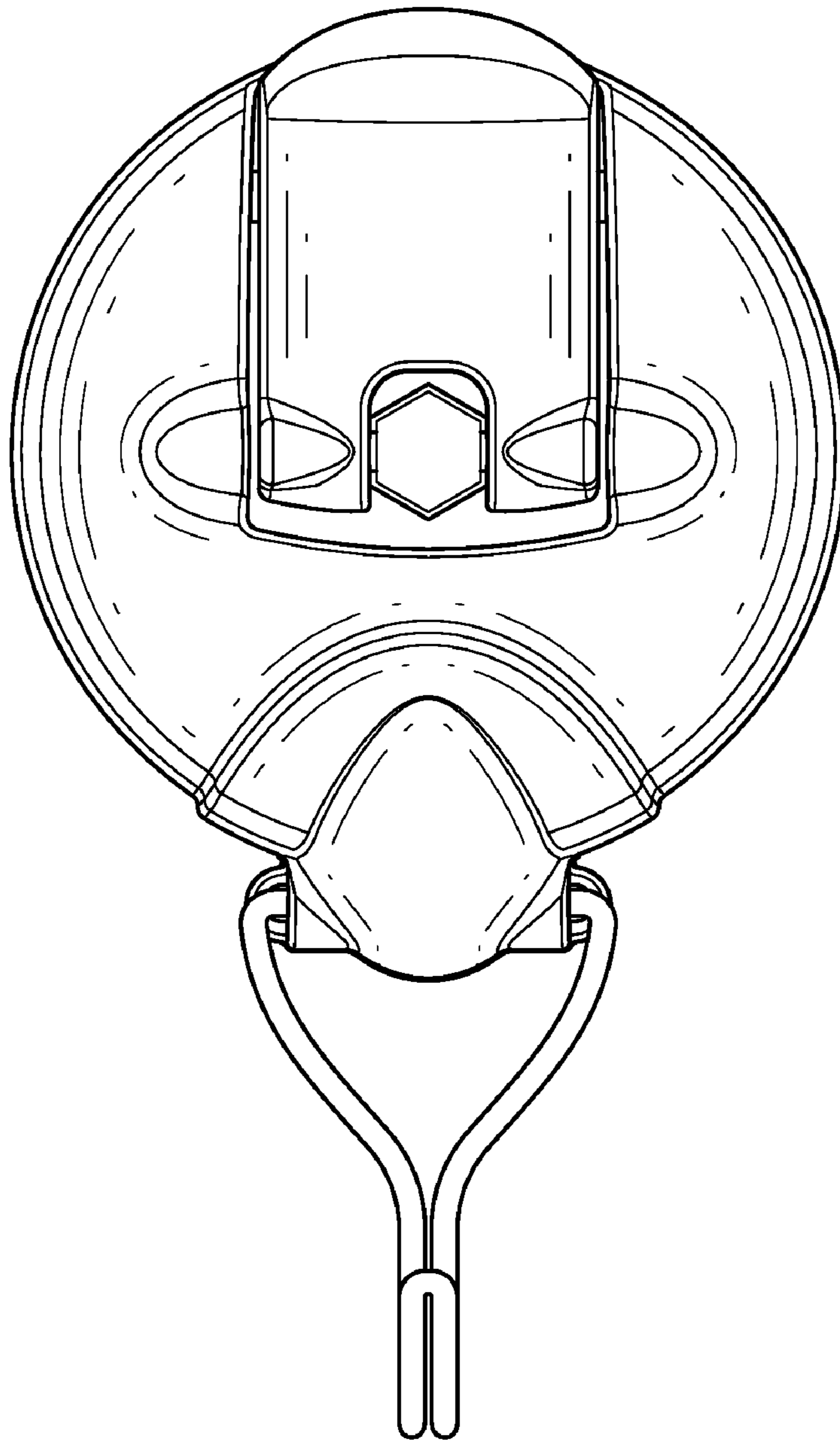


FIG. 2

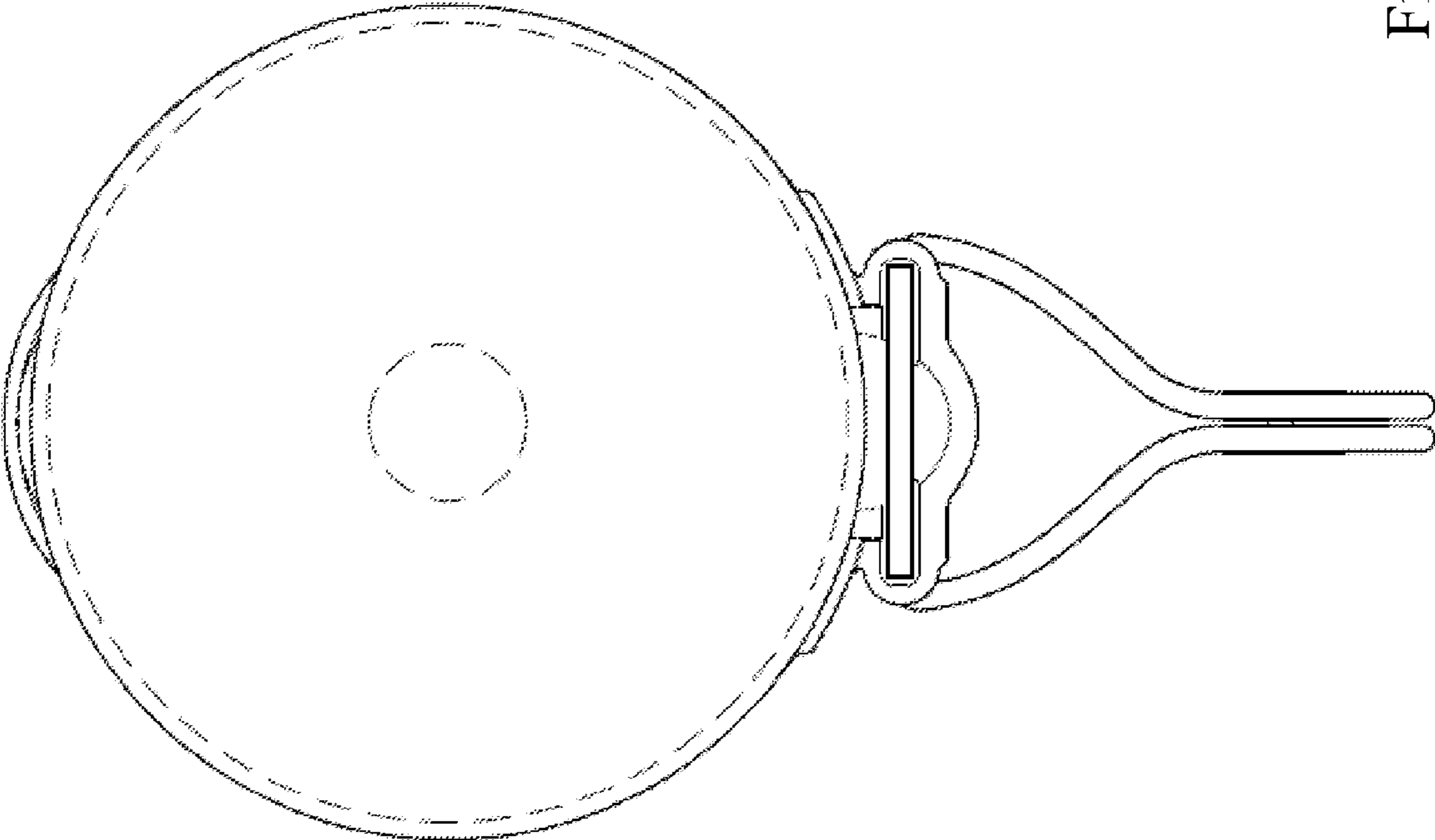


Fig. 3

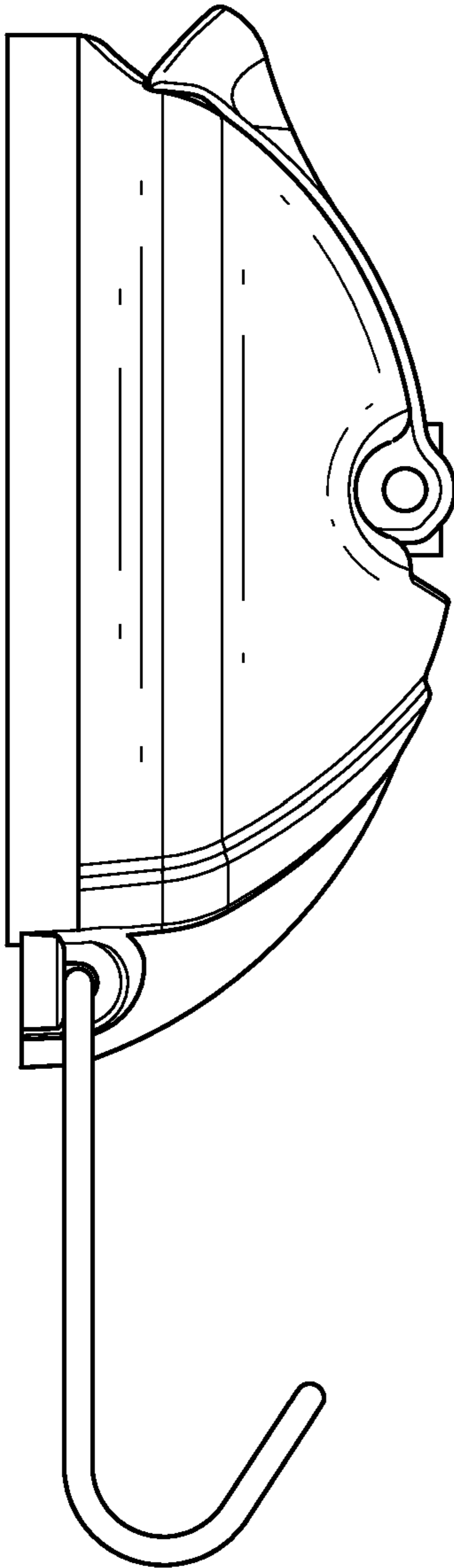


FIG. 4

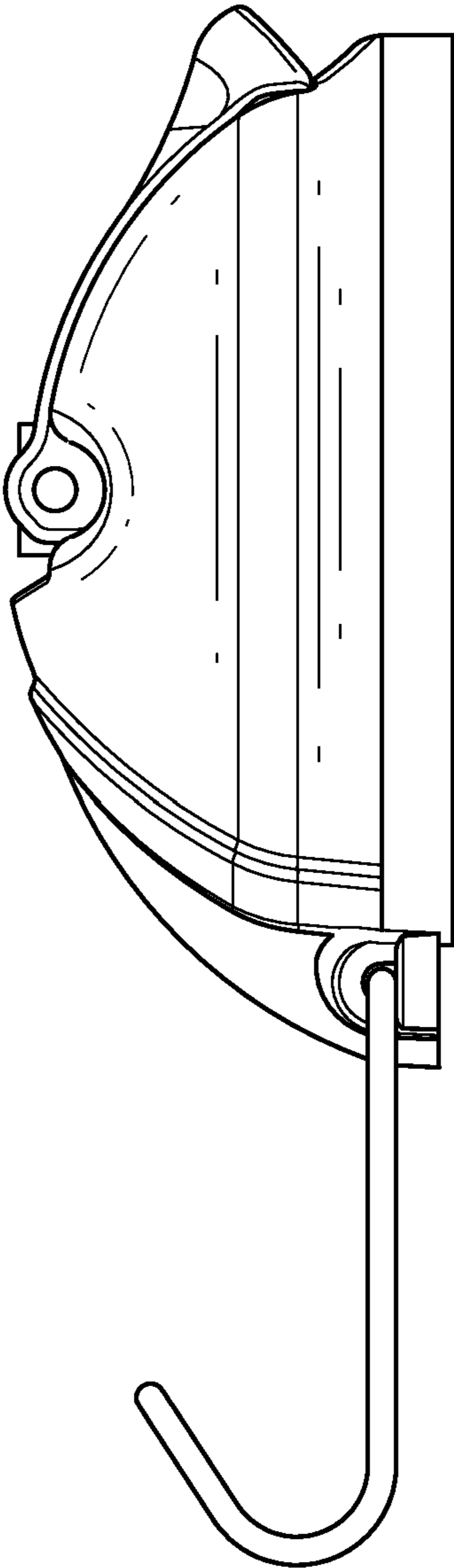


FIG. 5

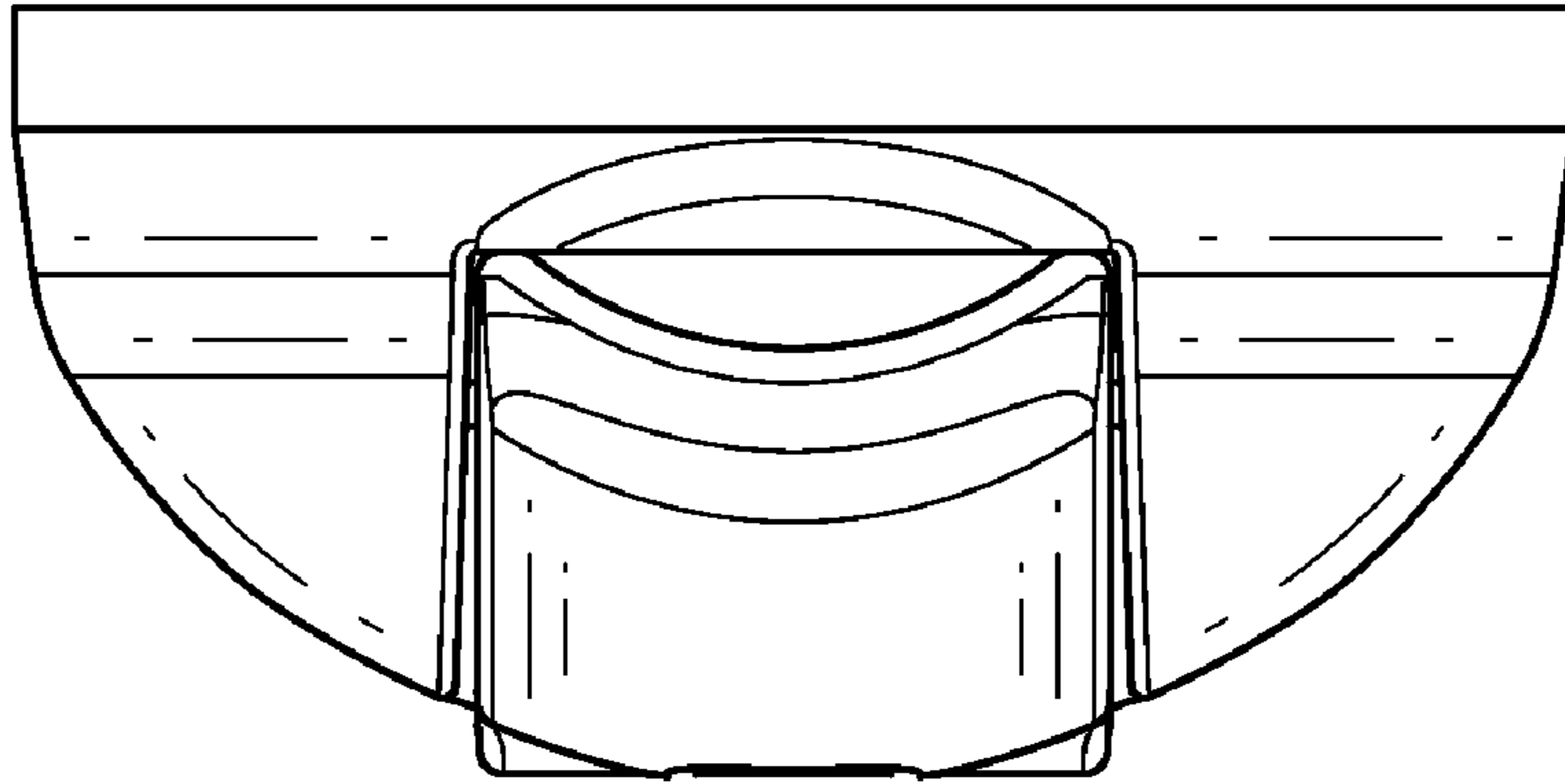


FIG. 6

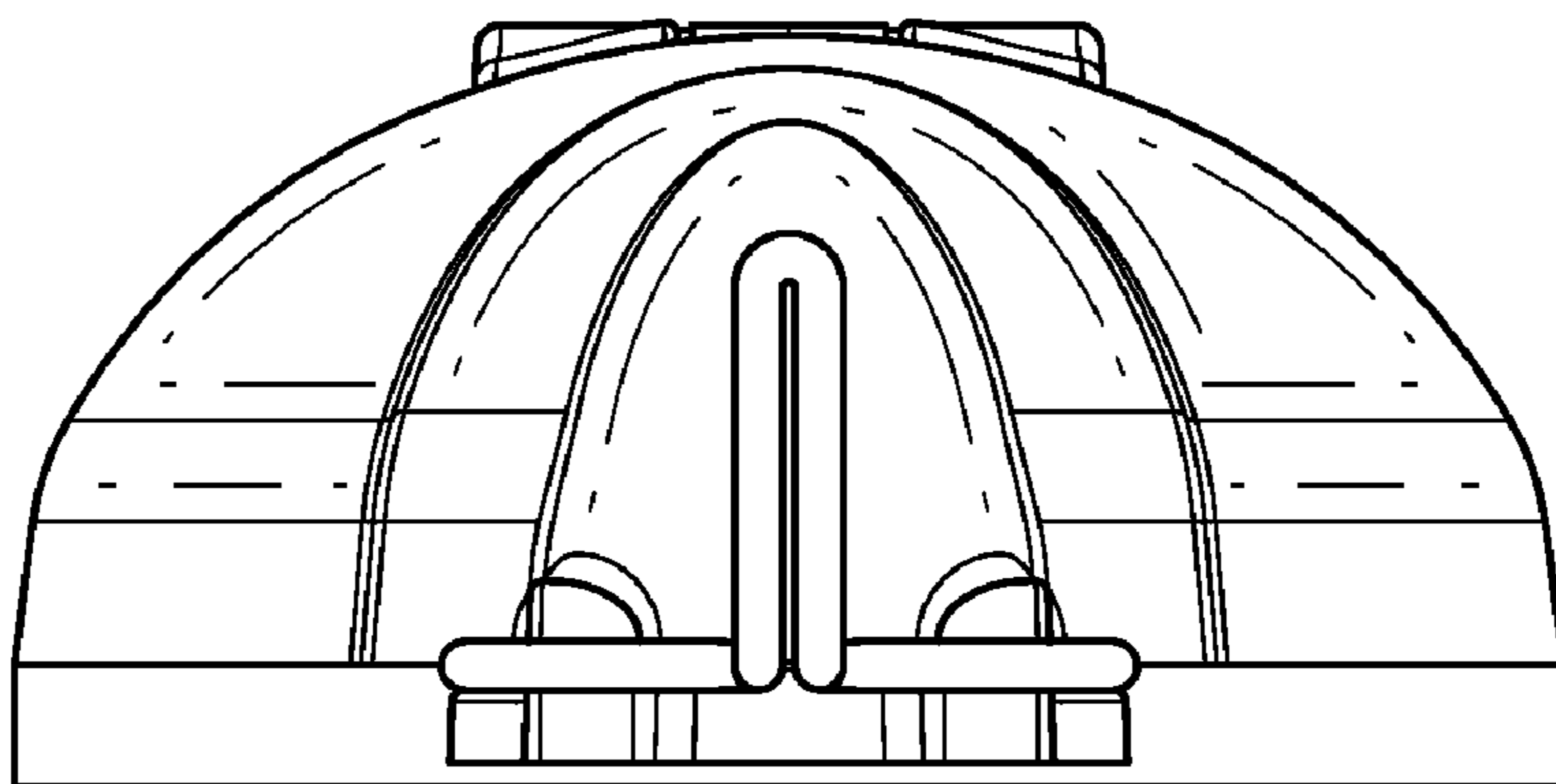


FIG. 7

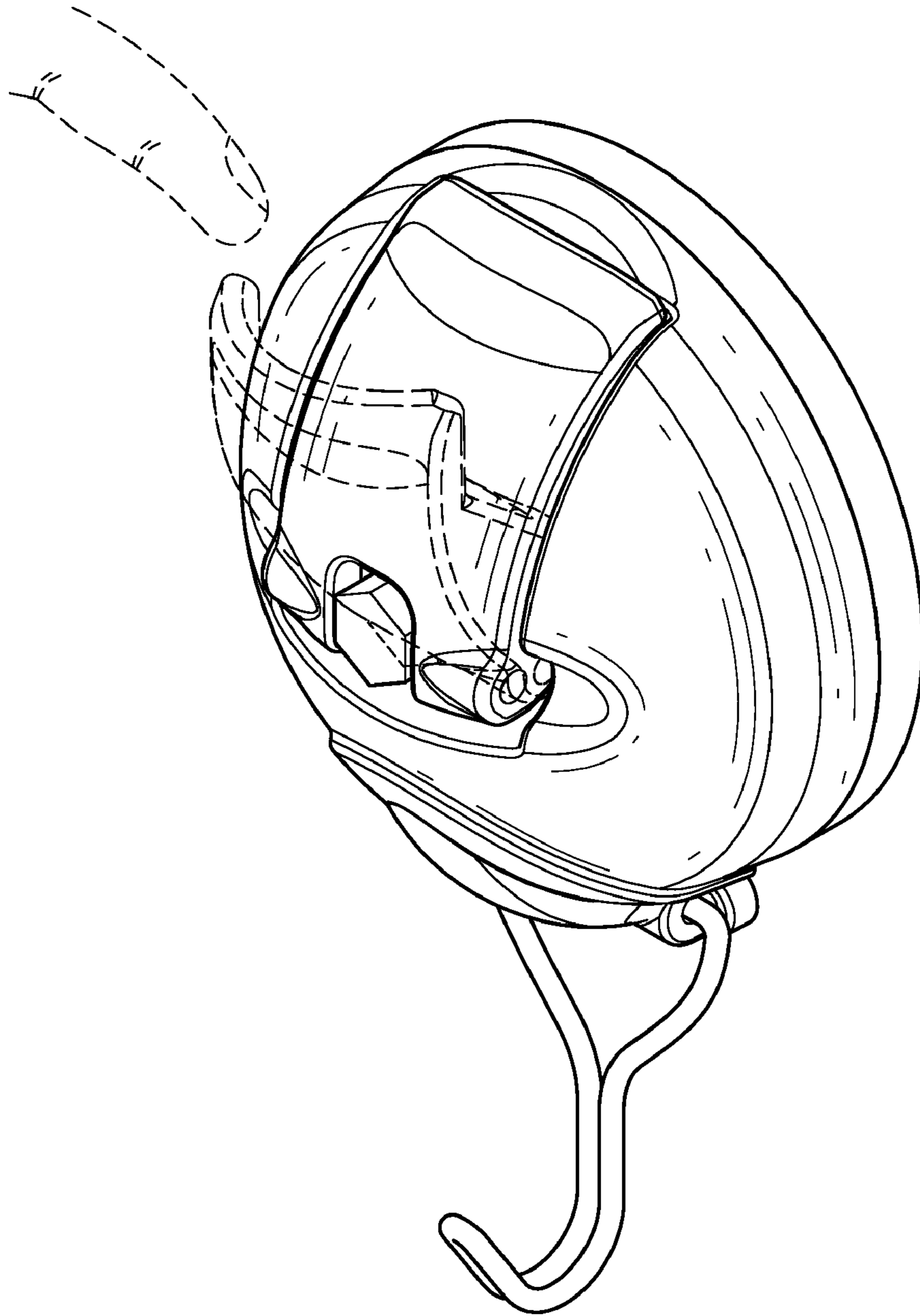


FIG. 8