



US00D664421S

(12) **United States Design Patent**
Bishir et al.

(10) **Patent No.:** **US D664,421 S**

(45) **Date of Patent:** **** Jul. 31, 2012**

(54) **LATCHING MECHANISM**

(75) Inventors: **Merrill Andrew Bishir**, Pittsburg, KS (US); **Jason Benjamin Hill**, Arma, KS (US)

(73) Assignee: **Hix Corporation**, Pittsburg, KS (US)

(**) Term: **14 Years**

(21) Appl. No.: **29/399,976**

(22) Filed: **Aug. 22, 2011**

(51) **LOC (9) Cl.** **08-07**

(52) **U.S. Cl.** **D8/331; D8/343**

(58) **Field of Classification Search** D8/330-343, D8/346, 349, 400.499; 70/14, 51, 52, 54, 70/56, 57, 57.1, 141, 158, 262, 266, 431, 70/466; 292/256, 256.5, 261, 262, 289, 299.305, 292/340, 358, 359

See application file for complete search history.

(56) **References Cited**

U.S. PATENT DOCUMENTS

2,990,208	A *	6/1961	Miller	292/165
3,046,776	A *	7/1962	Marotto et al.	70/97
4,578,970	A *	4/1986	Youngblood et al.	70/428
D302,239	S *	7/1989	Russell et al.	D8/366
D308,010	S *	5/1990	Russell et al.	D8/343
4,947,289	A *	8/1990	Dynie	361/801

D313,337	S *	1/1991	Haskell	D8/336
D557,108	S *	12/2007	Navin	D8/346
D557,109	S *	12/2007	Navin	D8/346
7,460,812	B2 *	12/2008	Lewis et al.	399/110

* cited by examiner

Primary Examiner — Prabhakar Deshmukh

(74) *Attorney, Agent, or Firm* — Intellectual Property Center, LLC; Arthur K. Shaffer

(57) **CLAIM**

The ornamental design for an improved latching mechanism, as shown and described.

DESCRIPTION

FIG. 1 is a perspective view of a latching mechanism showing our new design, with the latching aspect shown in an extended position;

FIG. 2 is a perspective view thereof, with the latching aspect shown in normal position;

FIG. 3 is a top plan view thereof;

FIG. 4 is a right side elevational view thereof;

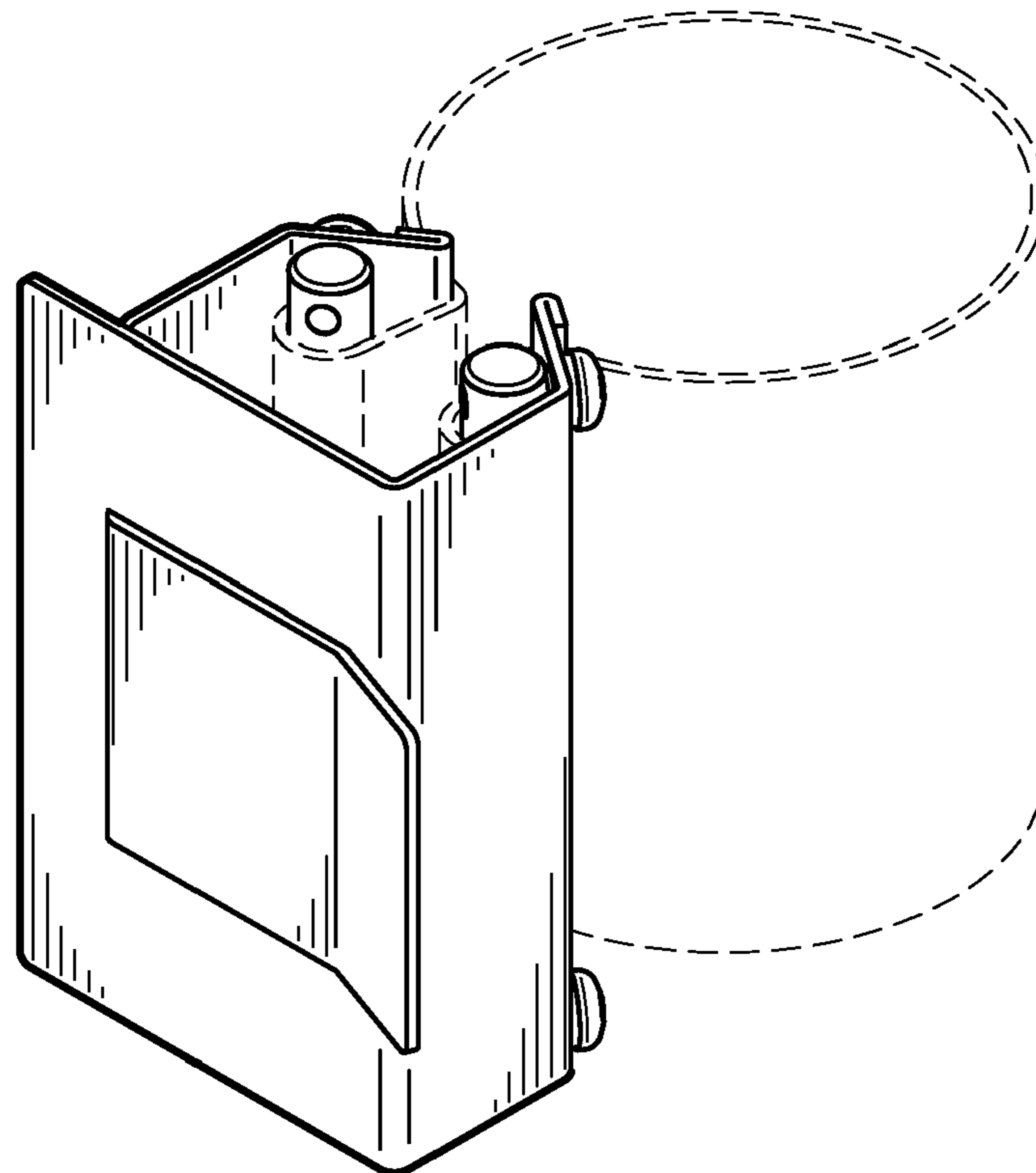
FIG. 5 is a rear elevational view thereof;

FIG. 6 is a left side elevational view thereof; and,

FIG. 7 is a front elevational view thereof.

The broken lines environment is for illustrative purpose and forms no part of the claimed design. The broken lines environment is not shown in FIGS. 5-7 for clarity.

1 Claim, 2 Drawing Sheets



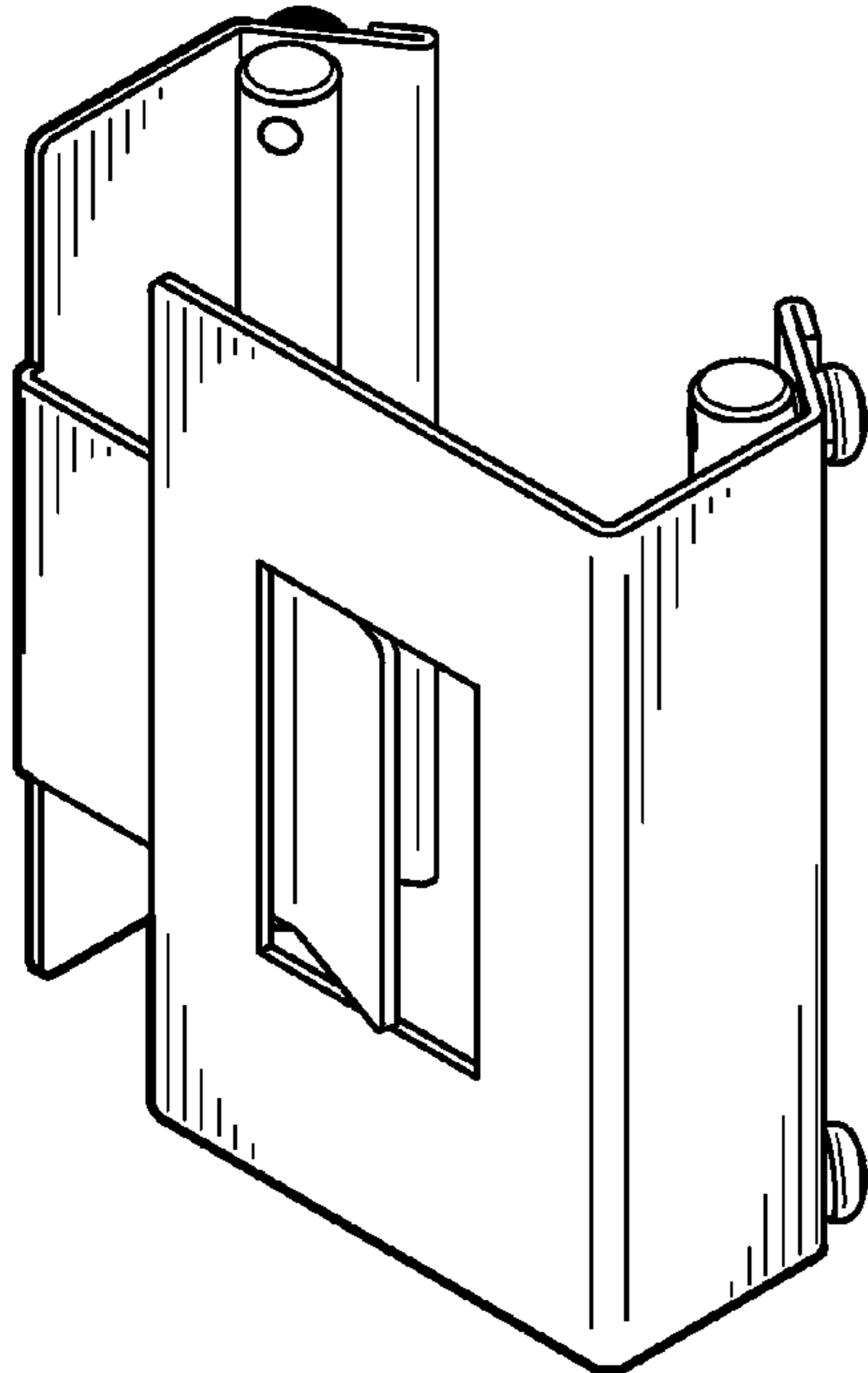


Fig. 1

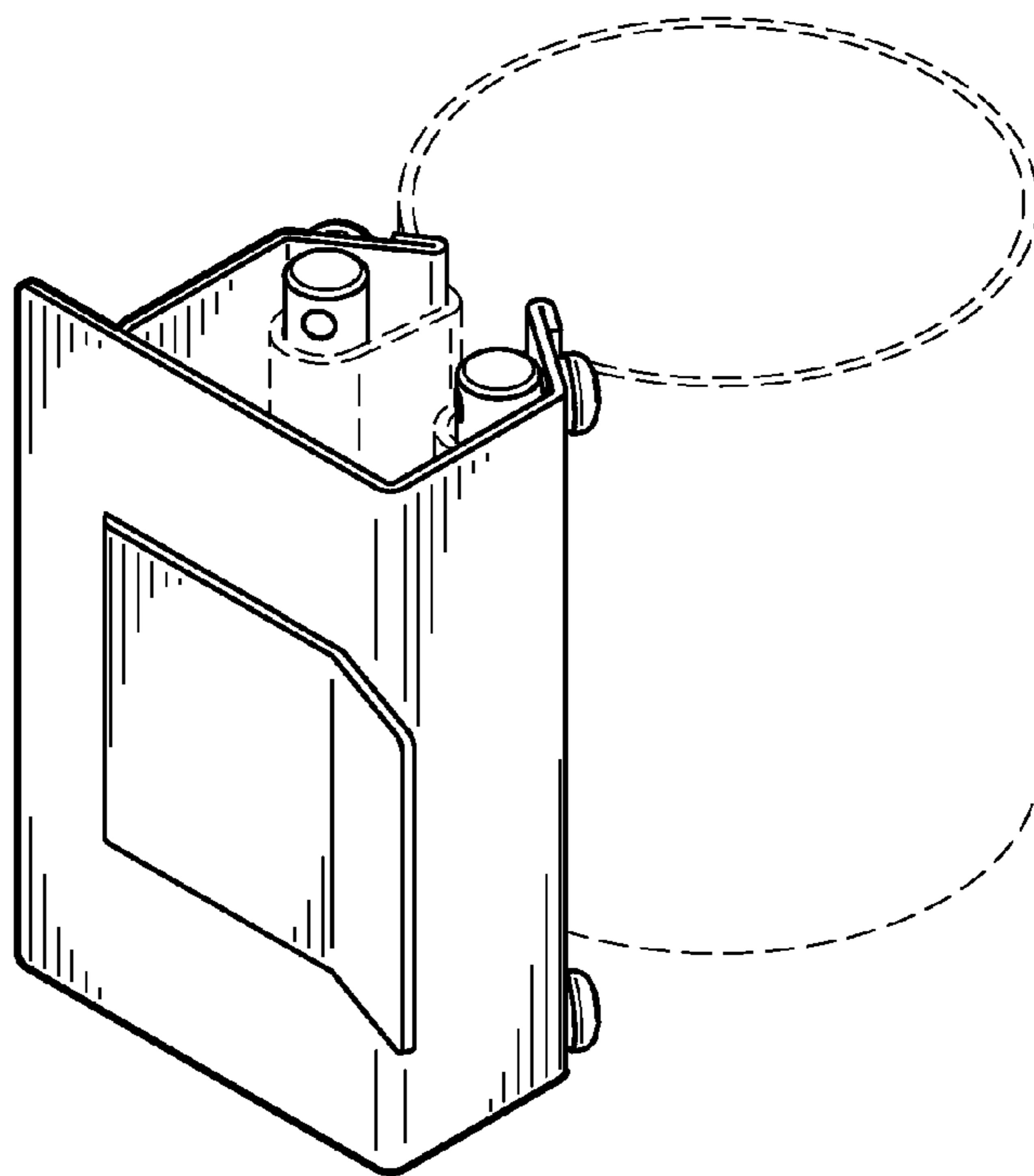


Fig. 2

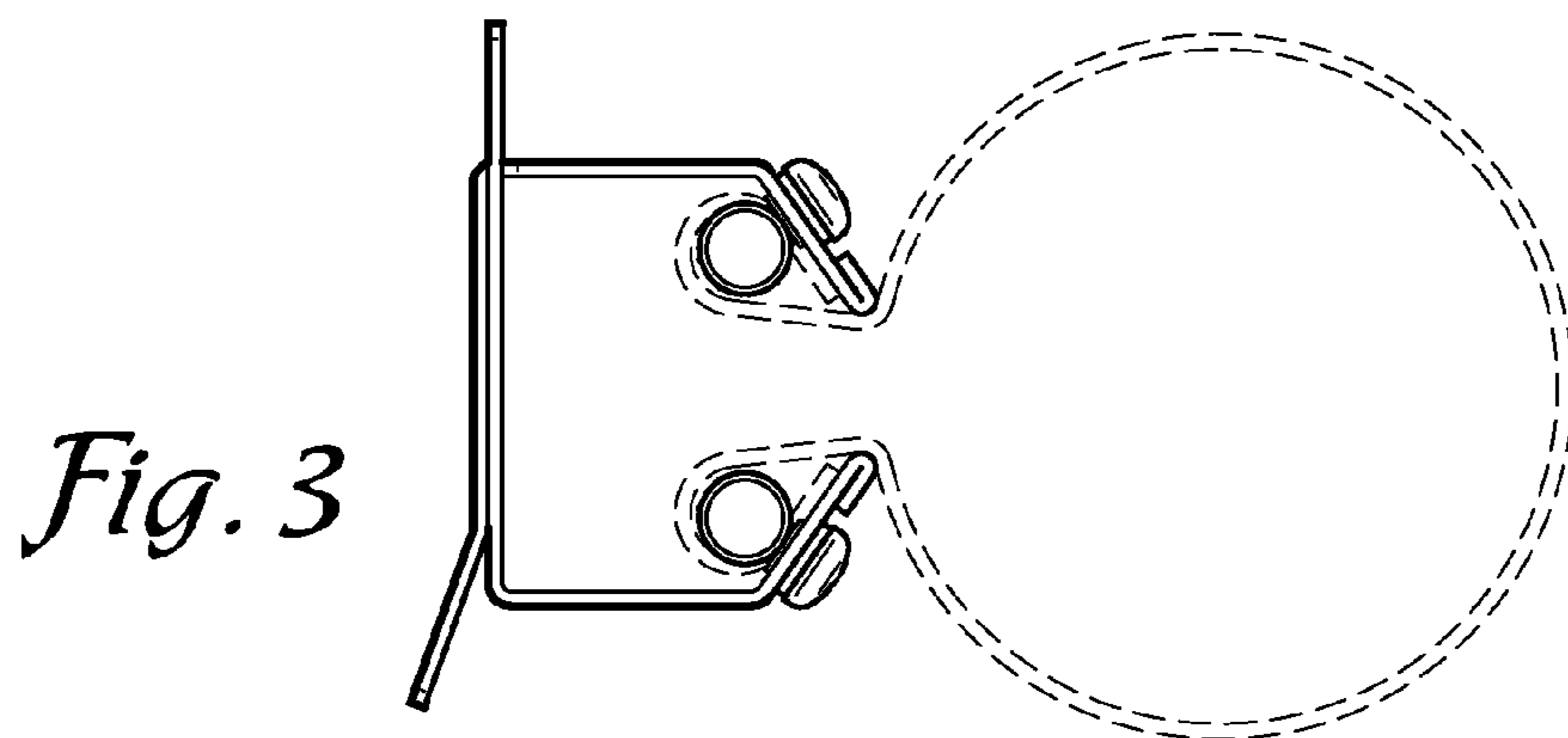


Fig. 3

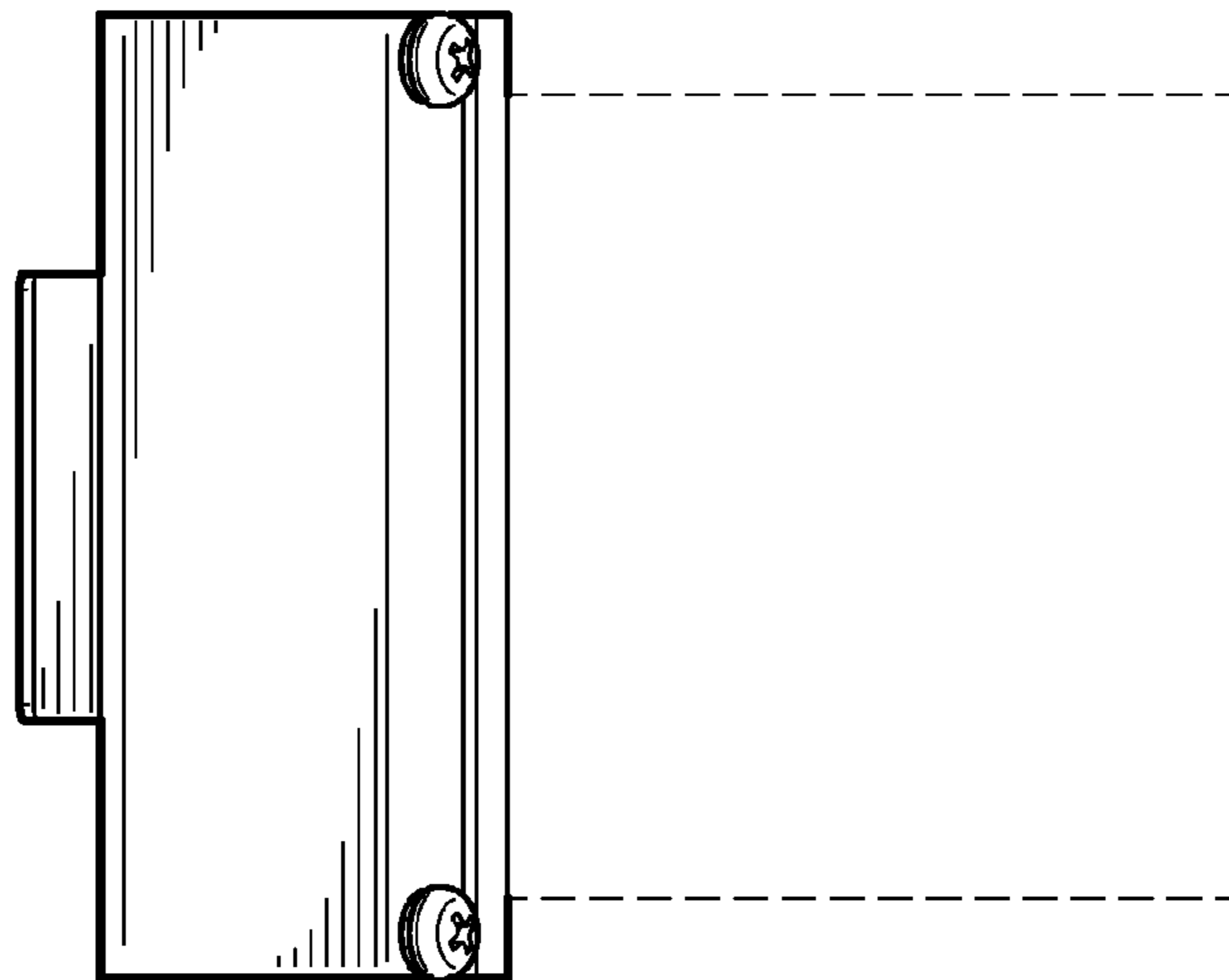


Fig. 4

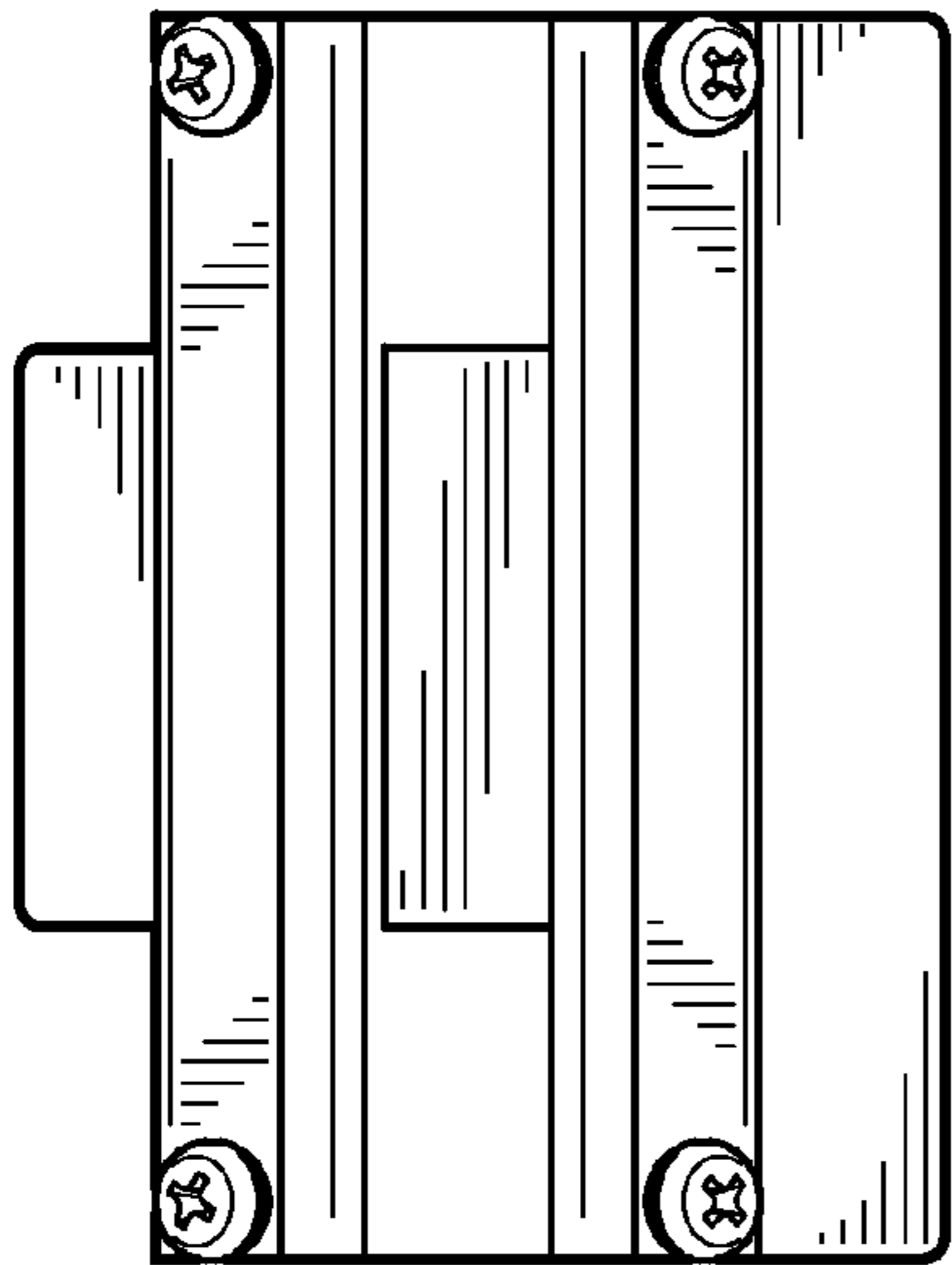


Fig. 5

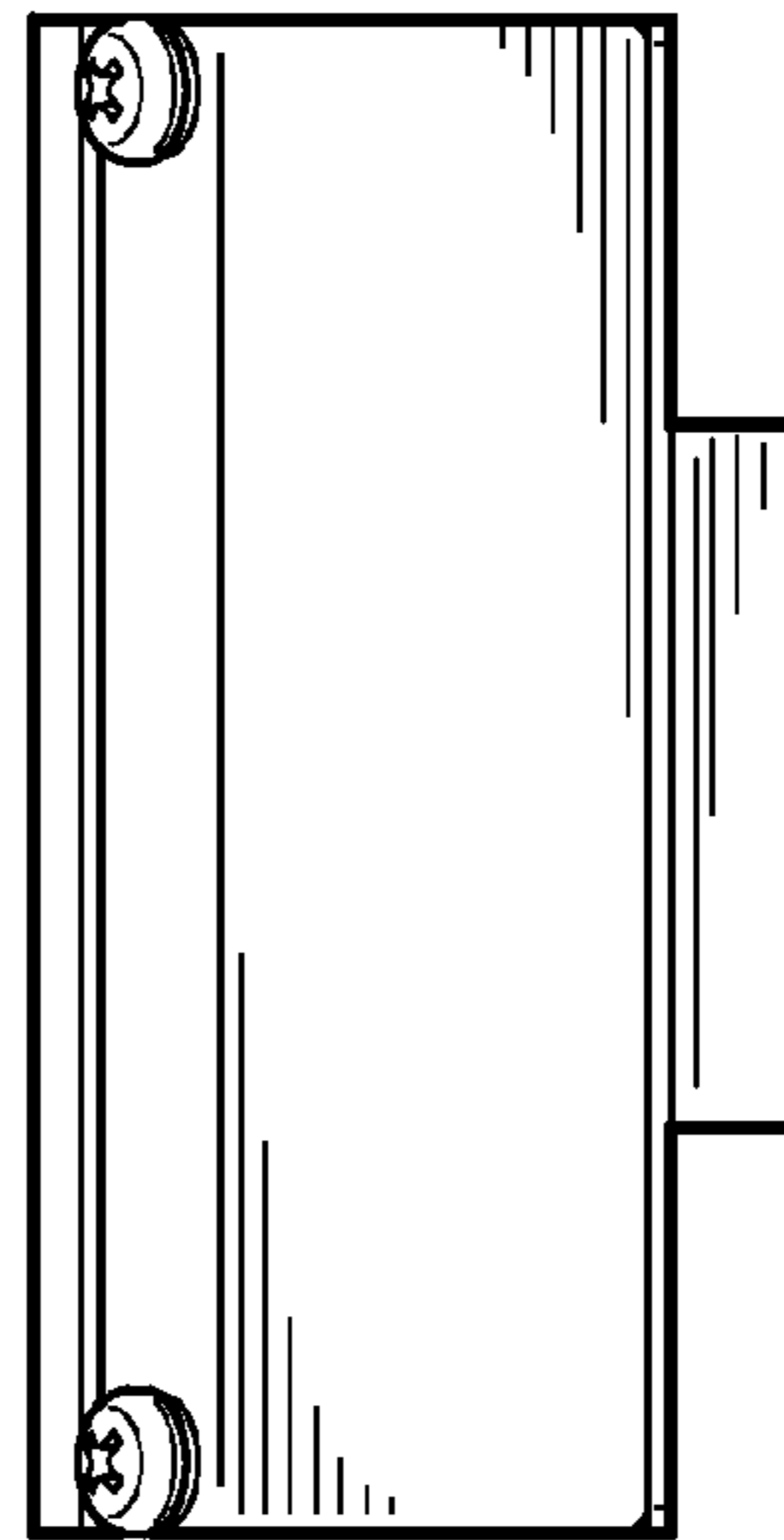


Fig. 6

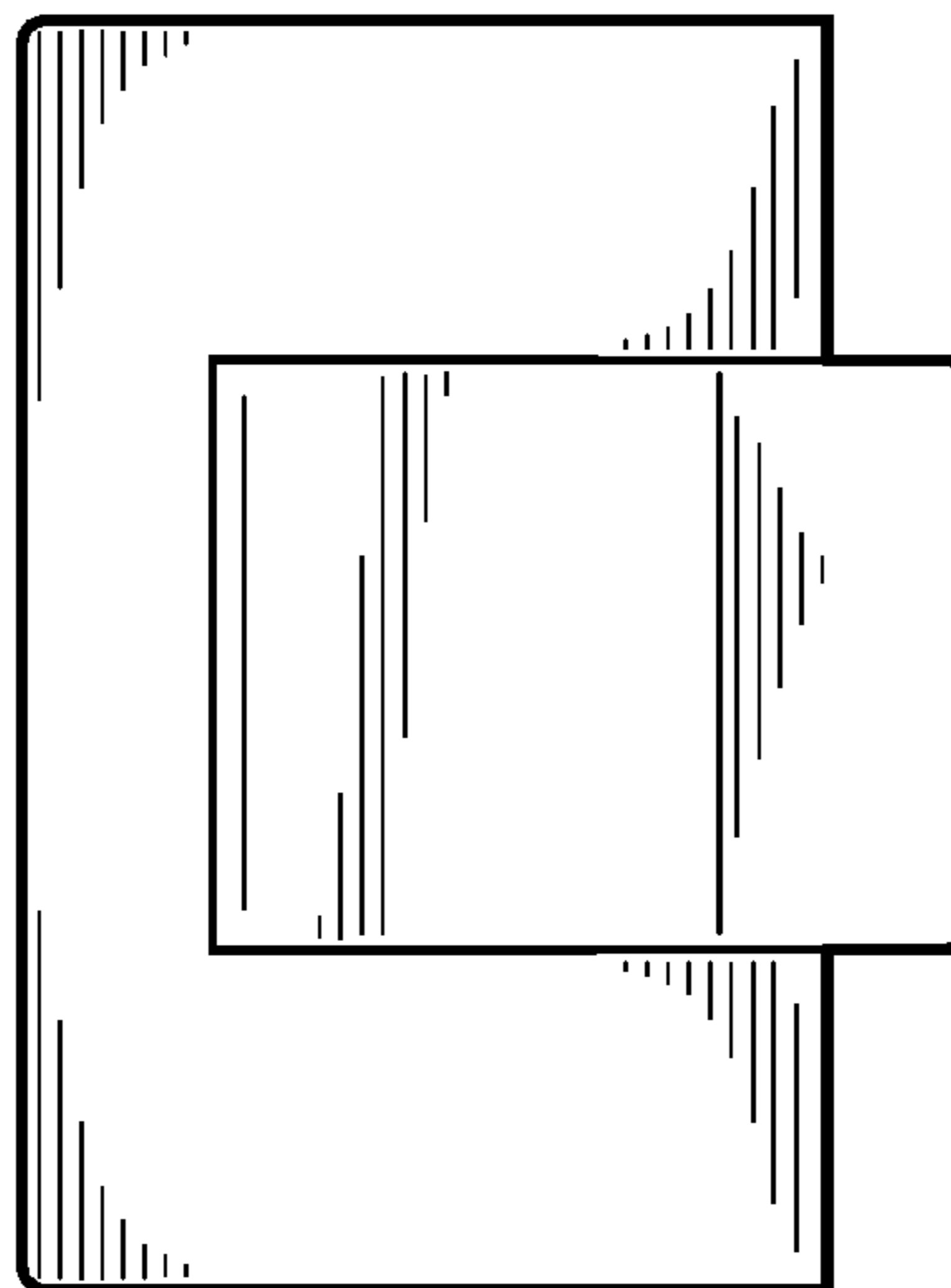


Fig. 7