



US00D664420S

(12) **United States Design Patent**
Mattson et al.

(10) **Patent No.:** **US D664,420 S**

(45) **Date of Patent:** **** Jul. 31, 2012**

(54) **HANDLE TRIMSET ASSEMBLY**

(75) Inventors: **Deborah D. Mattson**, Plainwell, MI (US); **Fernando Ortiz**, Wyoming, MI (US)

(73) Assignee: **Belwith Products, LLC**, Grandville, MI (US)

(**) Term: **14 Years**

(21) Appl. No.: **29/390,564**

(22) Filed: **Apr. 26, 2011**

(51) **LOC (9) Cl.** **08-06**

(52) **U.S. Cl.** **D8/302**

(58) **Field of Classification Search** D8/300, D8/301, 302, 307, 308, 320, 350, DIG. 1; 16/110.1, 412, 413, 414, 415; 292/336.3, 292/347, 348, 356

See application file for complete search history.

(56) **References Cited**

U.S. PATENT DOCUMENTS

D213,432 S *	3/1969	Clayton	D8/307
D295,829 S *	5/1988	Ortega et al.	D8/301
D312,565 S *	12/1990	Abraham et al.	D8/301
5,219,192 A *	6/1993	Berger	292/173
D339,280 S *	9/1993	Bray et al.	D8/301
D351,980 S *	11/1994	Molteni	D8/302
D351,981 S *	11/1994	Susani et al.	D8/302
D447,927 S *	9/2001	LaPlume et al.	D8/302

D499,326 S *	12/2004	Roberts, III	D8/302
D499,950 S *	12/2004	Roberts, III	D8/302
D501,634 S *	2/2005	Denoual	D8/302
D517,898 S *	3/2006	Veltz et al.	D8/302

* cited by examiner

Primary Examiner — Paula Greene

(74) *Attorney, Agent, or Firm* — Leydig, Voit & Mayer, Ltd.

(57) **CLAIM**

The ornamental design for a handle trimset assembly, as shown and described.

DESCRIPTION

FIG. 1 is a front elevational view of a handle trimset assembly showing our new design;

FIG. 2 is a rear elevational view of the handle trimset assembly of FIG. 1 with a knob;

FIG. 3 is a rear elevational view of a second embodiment of a handle trimset assembly of FIG. 1, the only difference being the lever handle;

FIG. 4 is a right side view of the handle trimset assembly of FIGS. 1 and 2, the left side being a mirror image thereof; and FIG. 5 is a right side view of the handle trimset assembly of FIGS. 1 and 3; and,

FIG. 6 is a left side view of the handle trimset assembly of FIGS. 1 and 3.

The broken line representations are for purposes of illustration only and form no part of the claimed design.

1 Claim, 3 Drawing Sheets

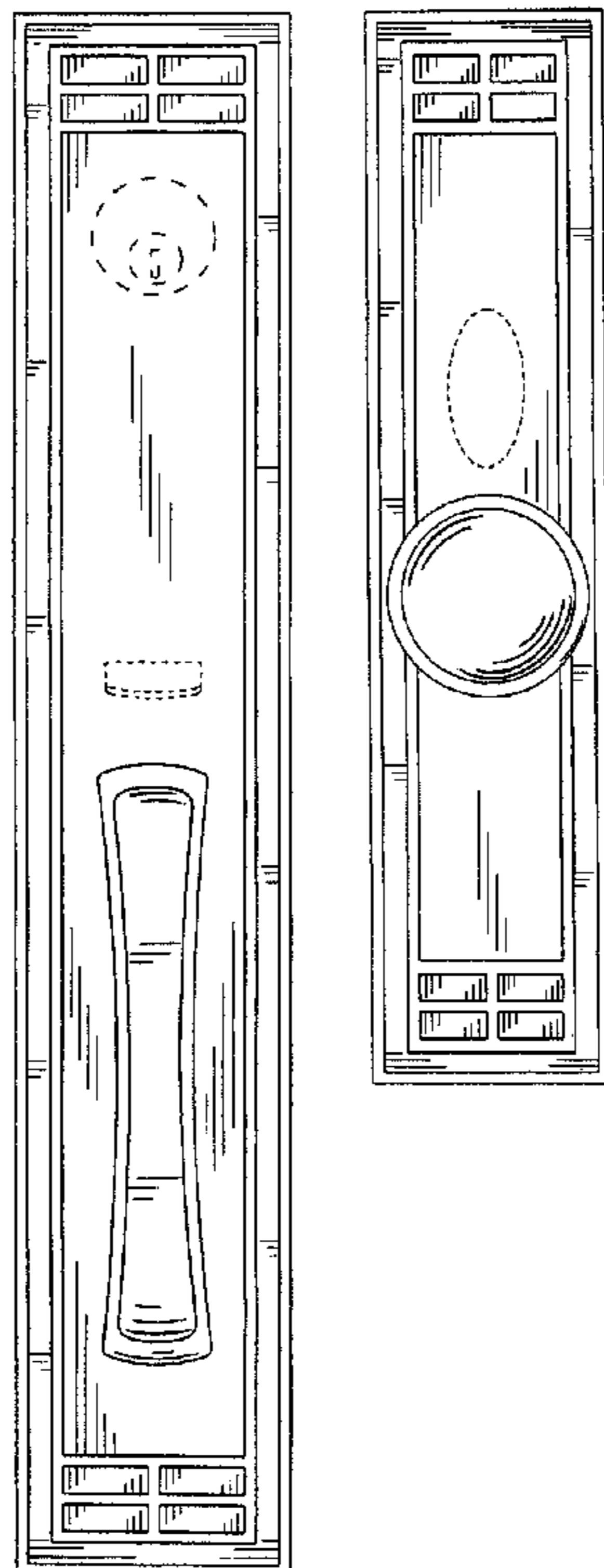


FIG. 1

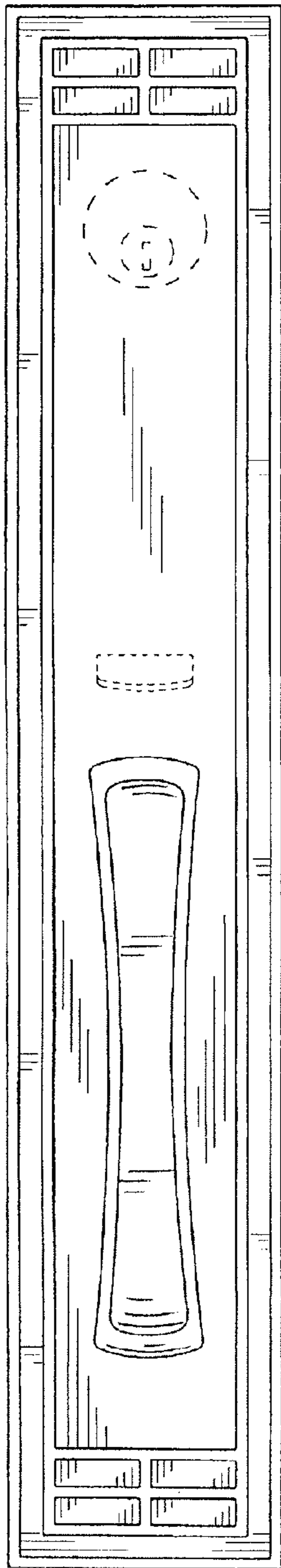


FIG. 2

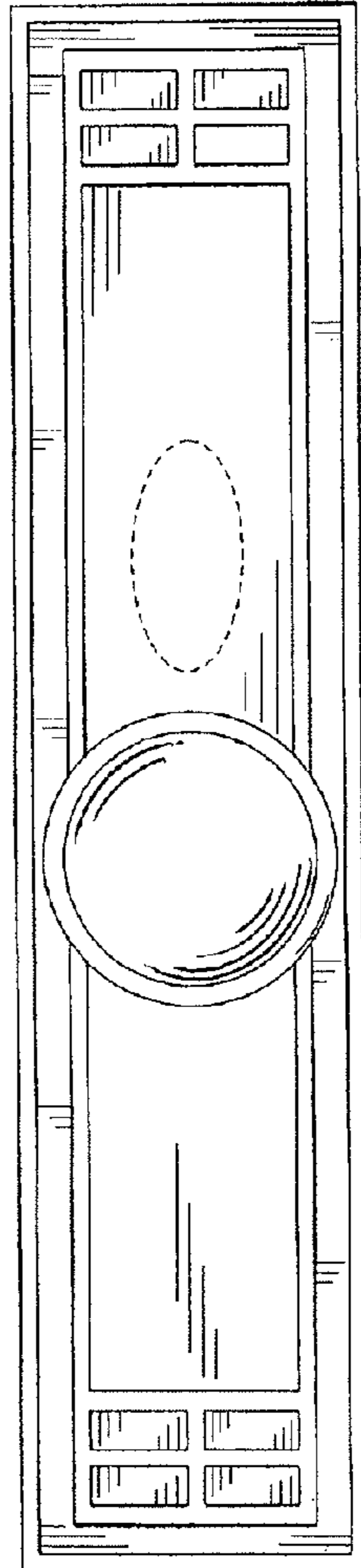


FIG. 3

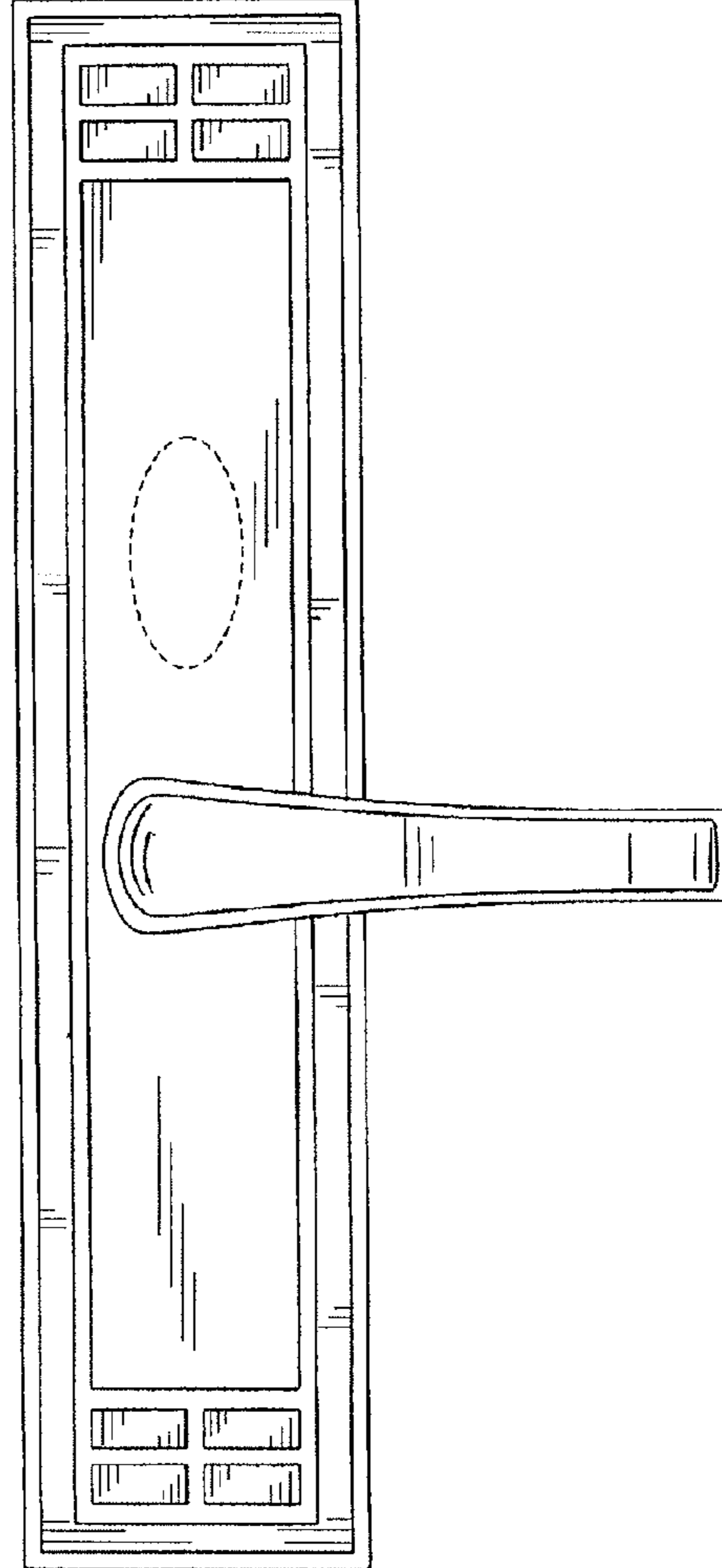


FIG. 4

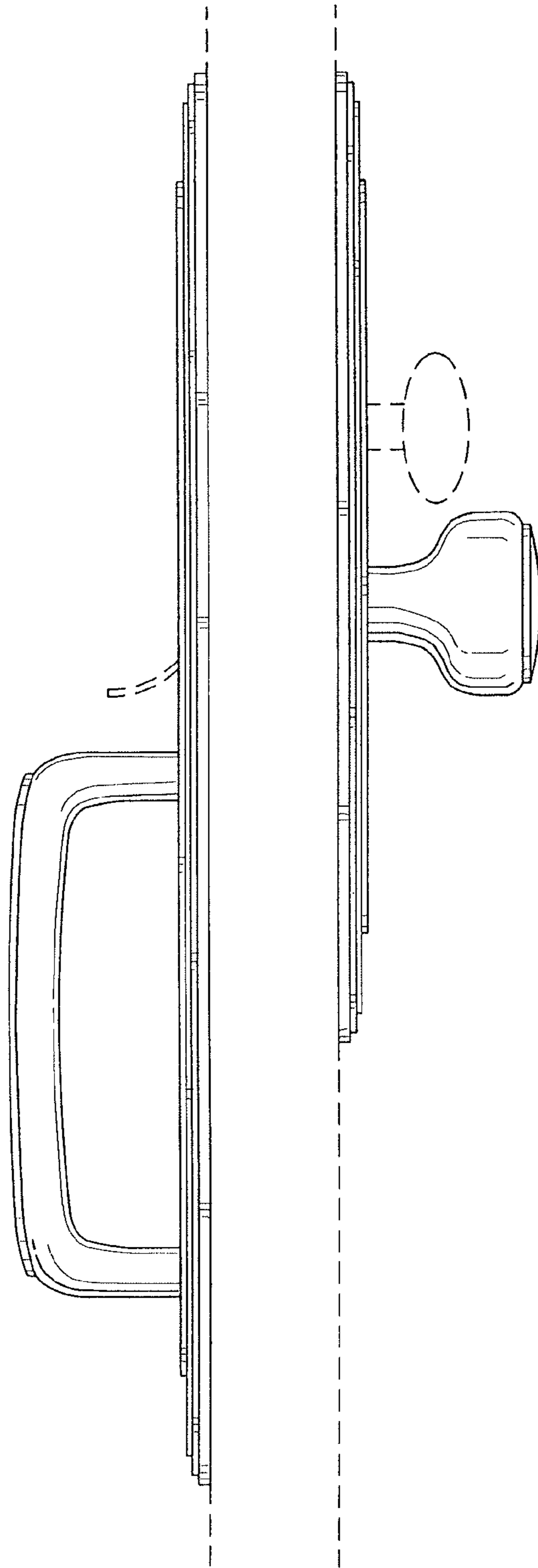


FIG. 5

FIG. 6

