

US00D664419S

(12) **United States Design Patent**
Koskela et al.

(10) **Patent No.:** **US D664,419 S**
(45) **Date of Patent:** **** Jul. 31, 2012**

- (54) **HANDLE TRIMSET ASSEMBLY**
- (75) Inventors: **Lisa Kay Koskela**, Grand Rapids, MI (US); **David Warmenhoven**, Grandville, MI (US)
- (73) Assignee: **Belwith Products, LLC**, Grandville, MI (US)

(**) Term: **14 Years**

(21) Appl. No.: **29/390,561**

(22) Filed: **Apr. 26, 2011**

(51) **LOC (9) Cl.** **08-06**

(52) **U.S. Cl.** **D8/302**

(58) **Field of Classification Search** 16/110.1,
16/412, 413, 414, 415; 292/336.3, 347, 348,
292/356; D8/300, 301, 302, 307, 308, 350,
D8/320, DIG. 1

See application file for complete search history.

(56) **References Cited**

U.S. PATENT DOCUMENTS

D178,660	S	*	9/1956	Hillgren	D8/302
3,151,350	A	*	10/1964	Manion	16/412
3,592,499	A	*	7/1971	Nelson et al.	292/347
D261,726	S	*	11/1981	Valli	D8/301
4,671,089	A	*	6/1987	Fleming et al.	70/452
D295,829	S	*	5/1988	Ortega et al.	D8/301
4,873,853	A	*	10/1989	Foshee	70/452
D312,565	S	*	12/1990	Abraham et al.	D8/301
D317,706	S	*	6/1991	Boeri	D8/308
D339,280	S	*	9/1993	Bray et al.	D8/301
D359,980	S	*	7/1995	Morozzi	D19/20
D423,902	S	*	5/2000	Libby et al.	D8/301

D457,048	S	*	5/2002	Zoerner et al.	D8/308
D501,634	S	*	2/2005	Denoual	D8/302
D502,085	S	*	2/2005	Denoual	D8/302
D502,086	S	*	2/2005	Denoual	D8/302
D518,354	S	*	4/2006	Veltz	D8/302
D520,853	S	*	5/2006	Morris	D8/307
D525,514	S	*	7/2006	Morris	D8/307
D527,610	S	*	9/2006	Morris	D8/307
D531,482	S	*	11/2006	Chen	D8/302
D579,302	S	*	10/2008	Roberts, III	D8/302

* cited by examiner

Primary Examiner — Paula Greene

(74) *Attorney, Agent, or Firm* — Leydig, Voit & Mayer, Ltd.

(57) **CLAIM**

The ornamental design for a handle trimset assembly, as shown and described.

DESCRIPTION

FIG. 1 is a front elevational view of a handle trimset assembly showing our new design;

FIG. 2 is a rear elevational view of the handle trimset assembly of FIG. 1 with a knob;

FIG. 3 is a rear elevational view of a second embodiment of a handle trimset assembly of FIG. 1, the only difference being the lever handle;

FIG. 4 is a right side view of the handle trimset assembly of FIGS. 1 and 2, the left side being a mirror image thereof; and FIG. 5 is a right side view of the handle trimset assembly of FIGS. 1 and 3; and,

FIG. 6 is a left side view of the handle trimset assembly of FIGS. 1 and 3.

The broken line representations are for purposes of illustration only and form no part of the claimed design.

1 Claim, 3 Drawing Sheets

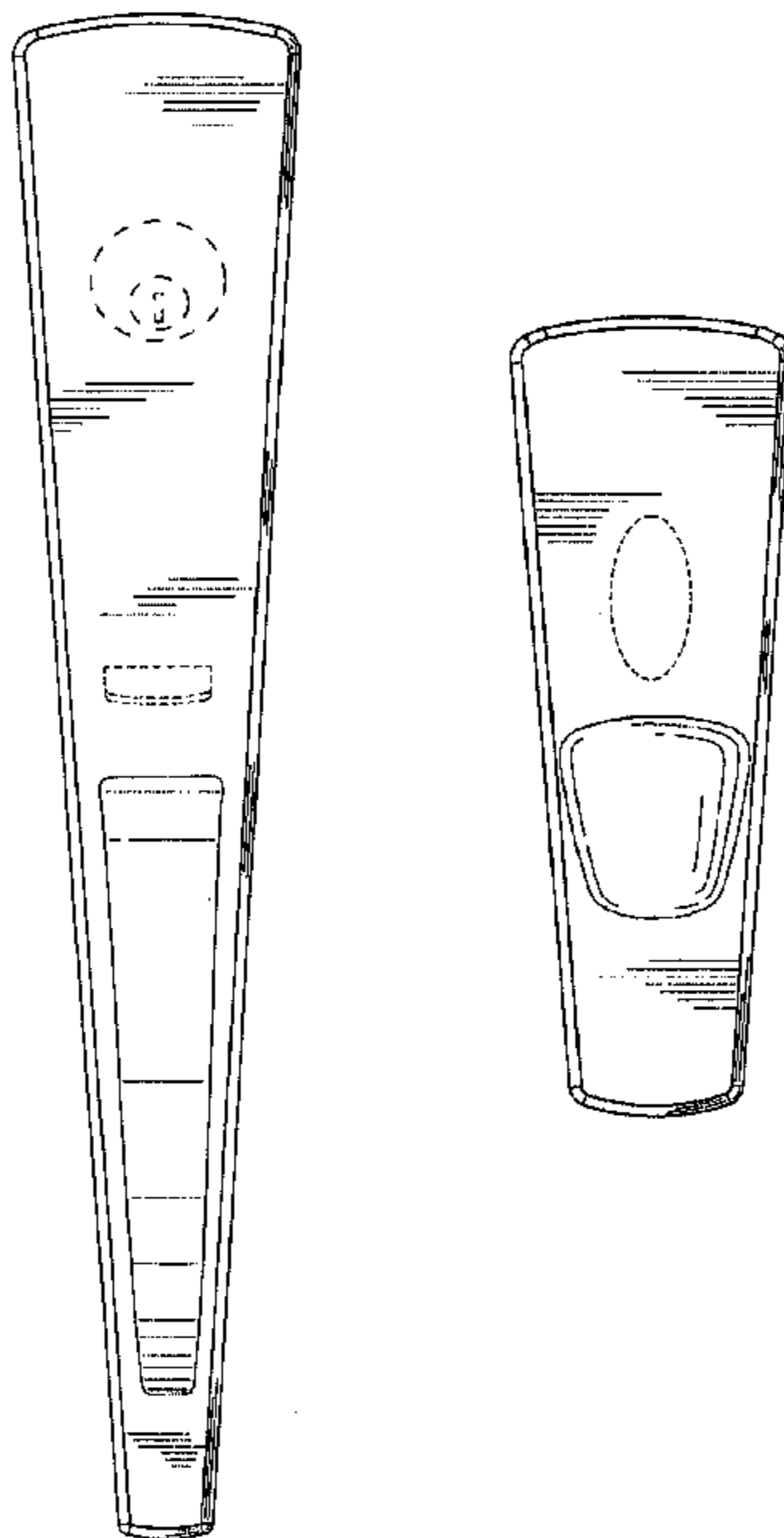


FIG. 1

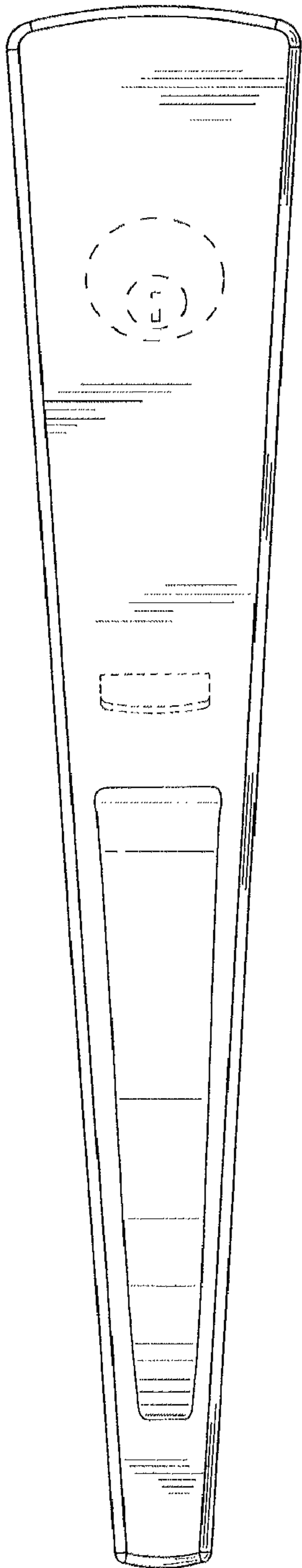


FIG. 2

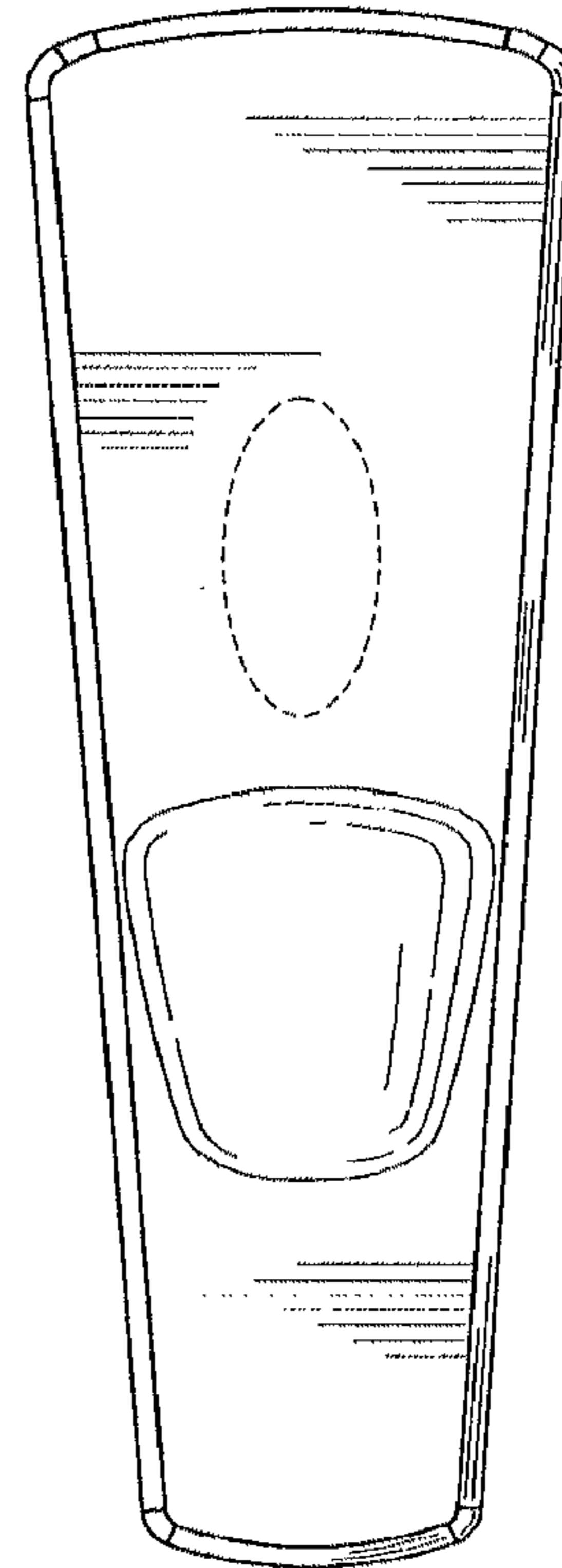


FIG. 3

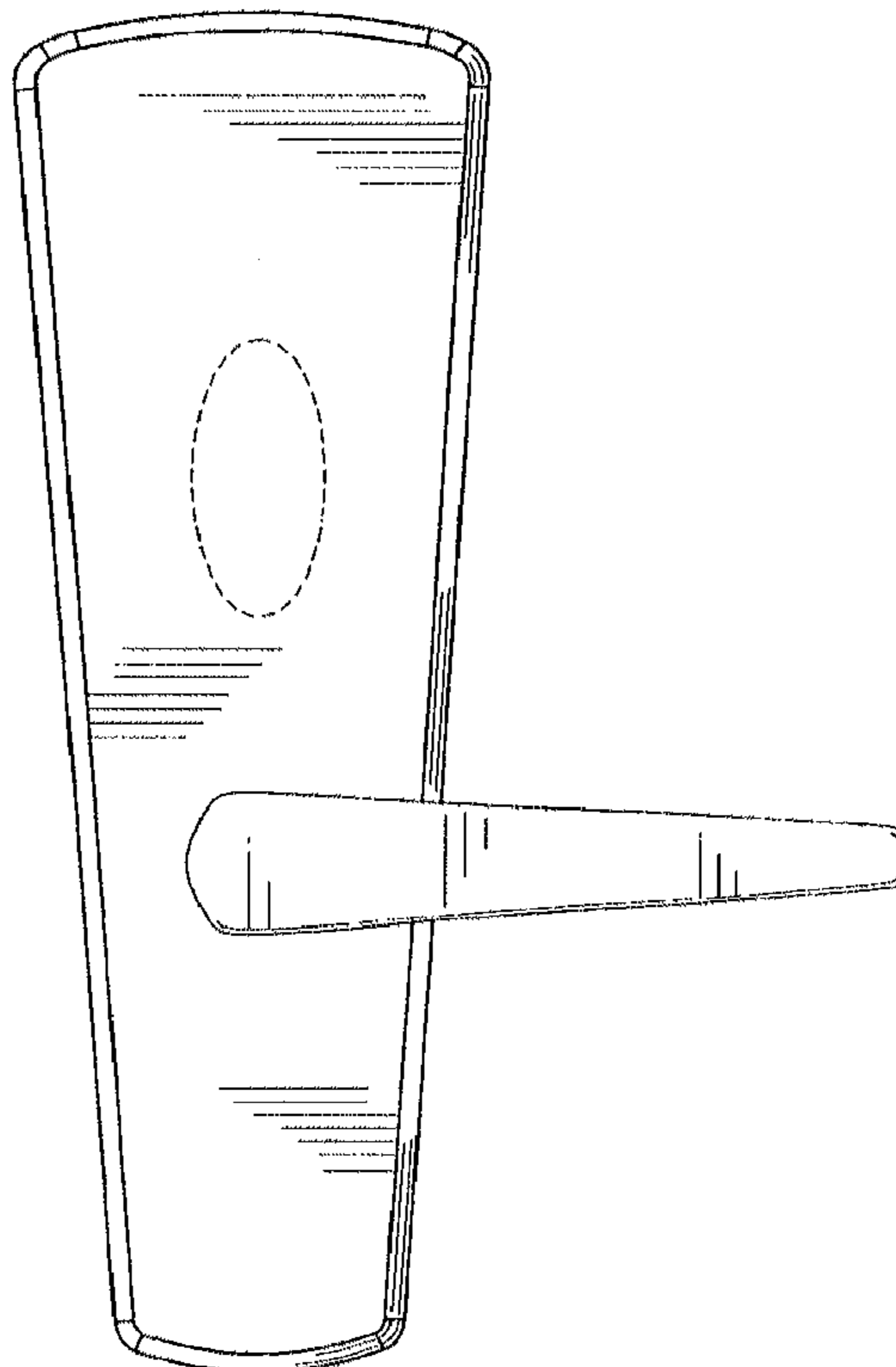


FIG. 4

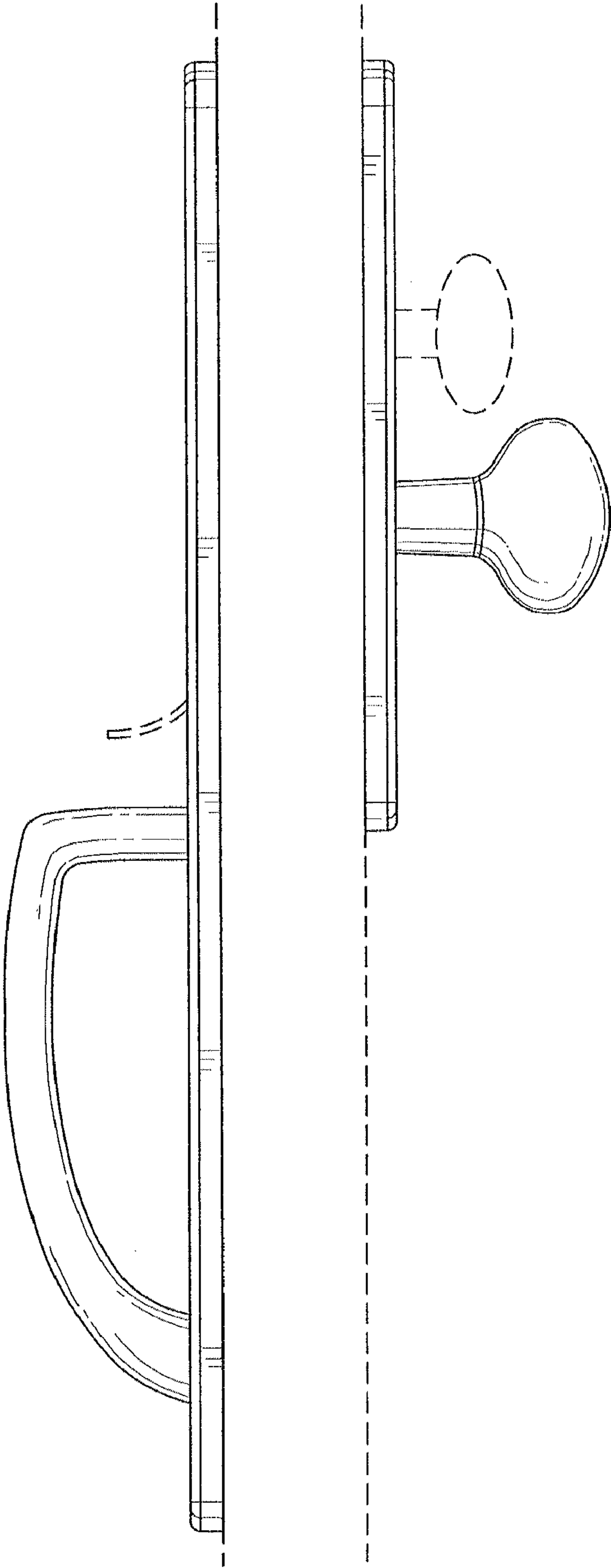


FIG. 5

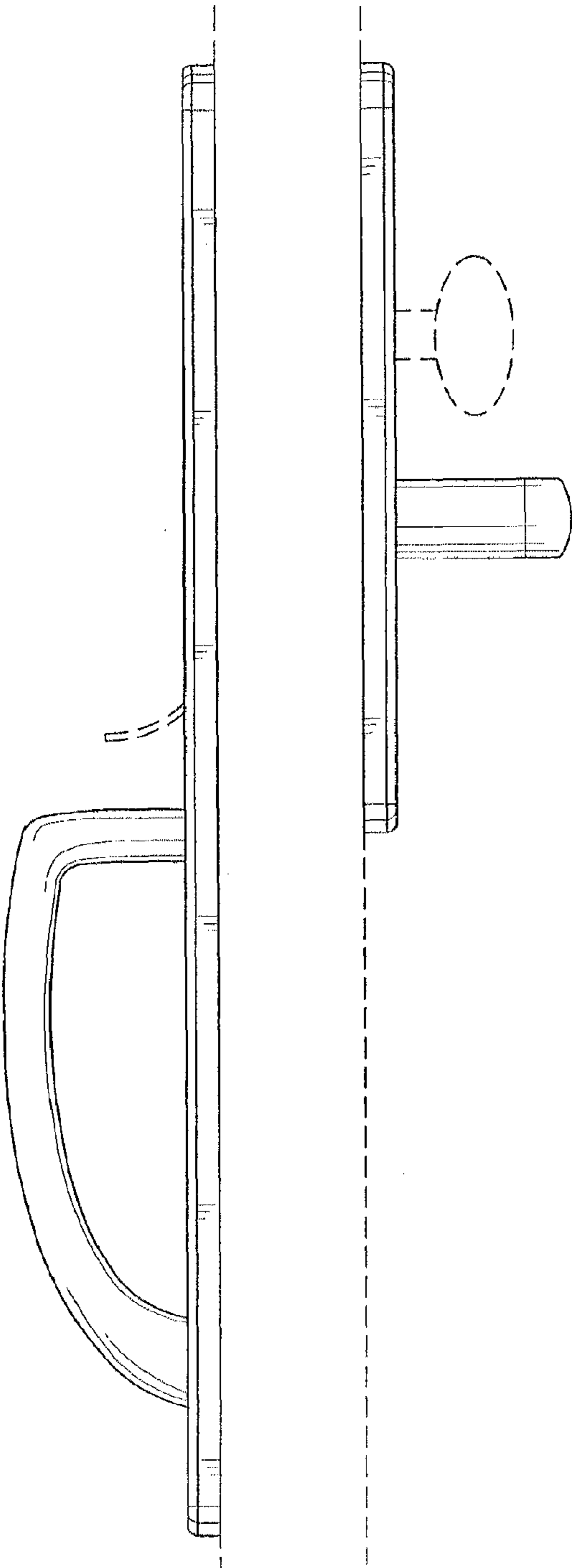


FIG. 6

