



US00D664418S

(12) **United States Design Patent**
Blouin et al.

(10) **Patent No.:** **US D664,418 S**
(45) **Date of Patent:** **** Jul. 31, 2012**

(54) **PUSH BUTTON**

(75) Inventors: **Carl Blouin, Lévis (CA); David Boies, Lévis (CA); Patrick Julien, Lévis (CA); Richard Rockwell, Lévis (CA)**

(73) Assignee: **Garant GP, Saint-Francois (CA)**

(**) Term: **14 Years**

(21) Appl. No.: **29/388,763**

(22) Filed: **Apr. 1, 2011**

(51) **LOC (9) Cl.** **08-01**

(52) **U.S. Cl.** **D8/107; D8/300**

(58) **Field of Classification Search** D8/107,
D8/382, 330, 338, 499, 300; 16/429, 427,
16/110.1, 113.1, 405; D4/138; 81/177.85;
15/144.4, 145; 403/328, 439, 348, 329, 378,
403/377

See application file for complete search history.

(56) **References Cited**

U.S. PATENT DOCUMENTS

402,132	A *	4/1889	Berry	403/349
966,925	A *	8/1910	Kittredge	285/85
1,932,099	A *	10/1933	Cabana	403/202
2,245,847	A *	6/1941	Bagby	285/83
2,527,256	A *	10/1950	Jackson	403/319
3,292,599	A *	12/1966	Zimmerman	122/510
3,380,097	A *	4/1968	Pharris	15/145
3,407,424	A *	10/1968	Lanzarone et al.	15/145
3,423,781	A *	1/1969	Henson	15/145
4,461,057	A *	7/1984	Unger	16/422
4,793,646	A *	12/1988	Michaud, Jr.	294/210
4,911,573	A *	3/1990	Pietro	403/349
4,922,577	A *	5/1990	Unger	16/429
5,037,235	A *	8/1991	Aquilina	403/290
5,094,464	A *	3/1992	Musacchia, Sr.	473/582

5,220,707	A	6/1993	Newman, Sr. et al.	
5,253,716	A *	10/1993	Mitchell	169/70
5,682,641	A *	11/1997	Newman et al.	16/429
5,983,455	A *	11/1999	Polzin et al.	16/429
6,254,305	B1 *	7/2001	Taylor	403/378
D452,777	S	1/2002	Newman et al.	
6,438,784	B1 *	8/2002	Yu	15/106
6,530,124	B2 *	3/2003	Newman et al.	16/429
6,726,393	B2 *	4/2004	Tsai et al.	403/109.4
D625,573	S *	10/2010	Bonzer	D8/107

FOREIGN PATENT DOCUMENTS

CA	96358	5/2002
CA	134797	10/2010

* cited by examiner

Primary Examiner — Paula Greene

(74) *Attorney, Agent, or Firm* — Goudreau Gage Dubuc; Gwendoline Bruneau

(57) **CLAIM**

The ornamental design for a push button, as shown and described.

DESCRIPTION

FIG. 1 is a perspective view, showing push buttons according to the present design, the stippled lines representing environment and forming no part of the design;

FIG. 2 is a perspective view of the push button;

FIG. 3 is a front view of the push button of FIG. 2;

FIG. 4 is a side view of the push button of FIG. 2;

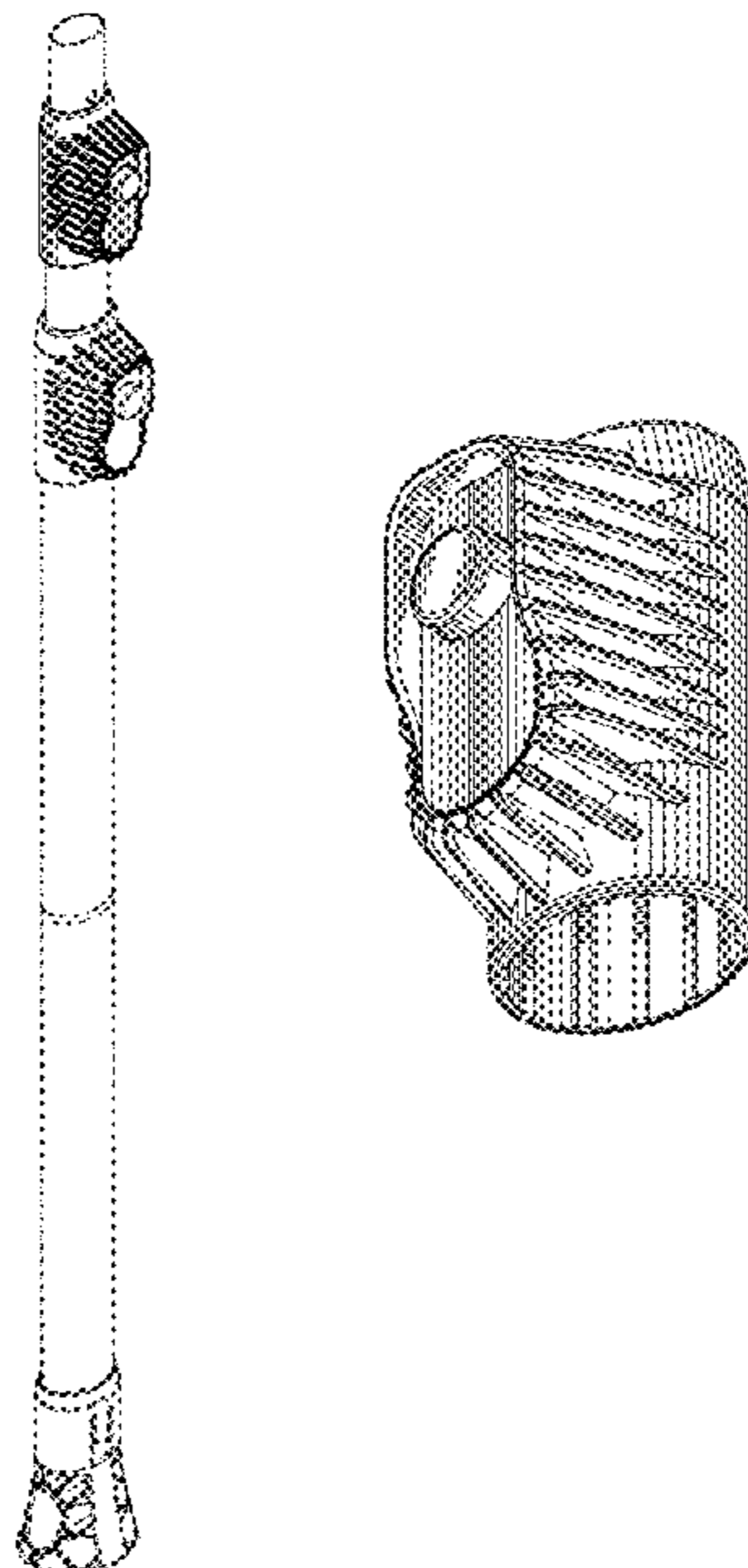
FIG. 5 is a back view of the push button of FIG. 2;

FIG. 6 is a top view of the push button of FIG. 2; and,

FIG. 7 is a bottom view of the push button of FIG. 2.

The broken disclosure of the push button and other structure is for illustrative purposes only and form no part of the claimed design.

1 Claim, 4 Drawing Sheets



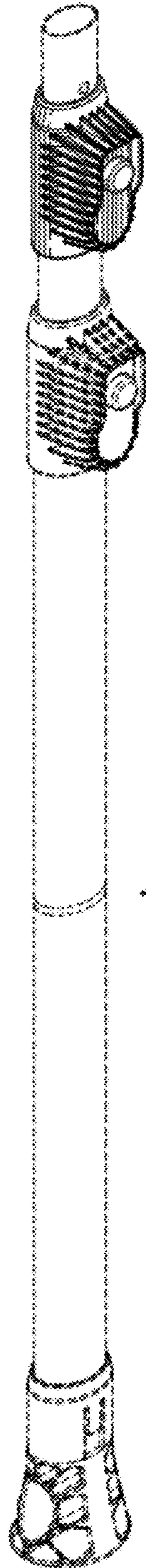


FIG. 1

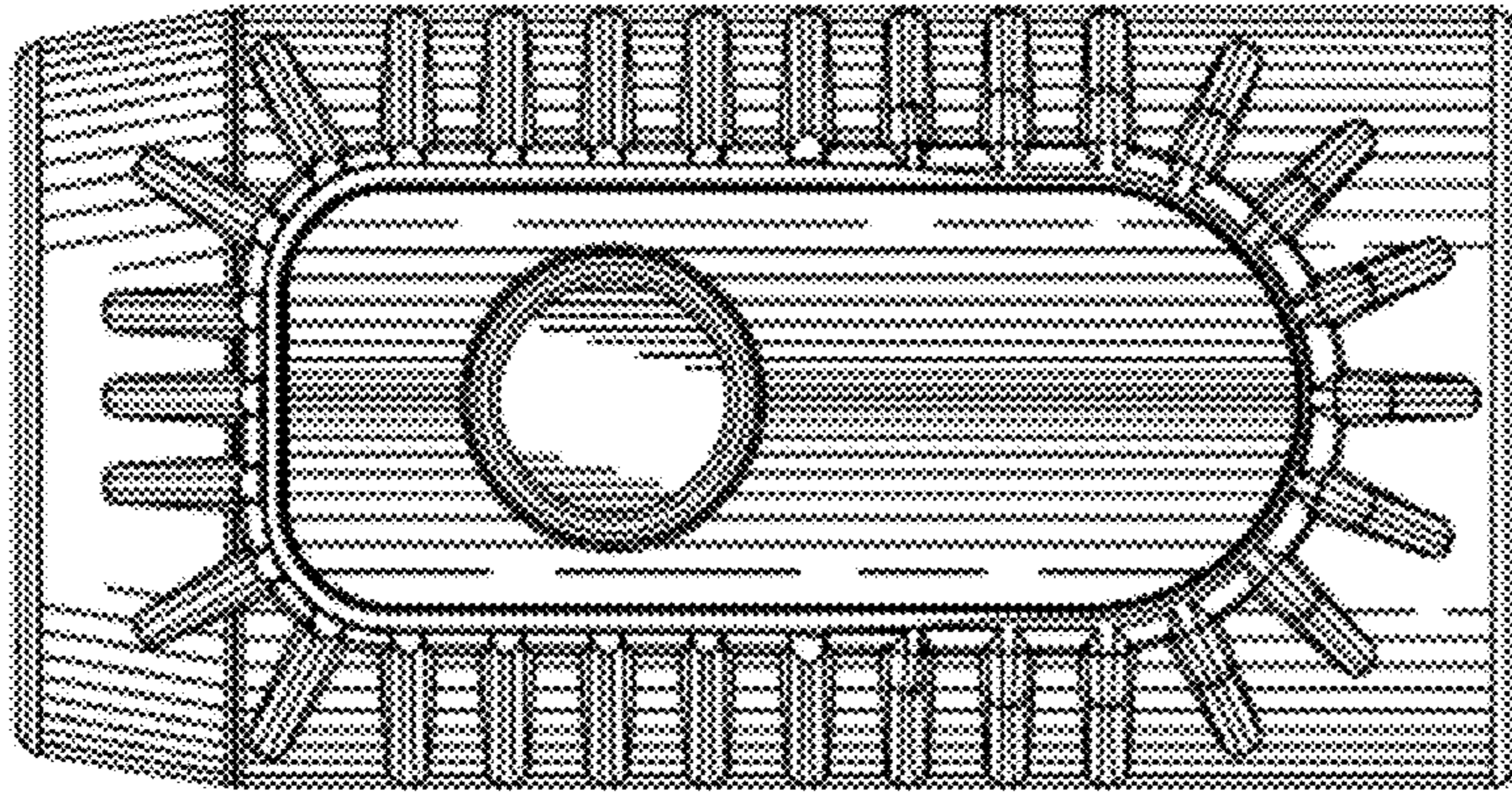


FIG. 3

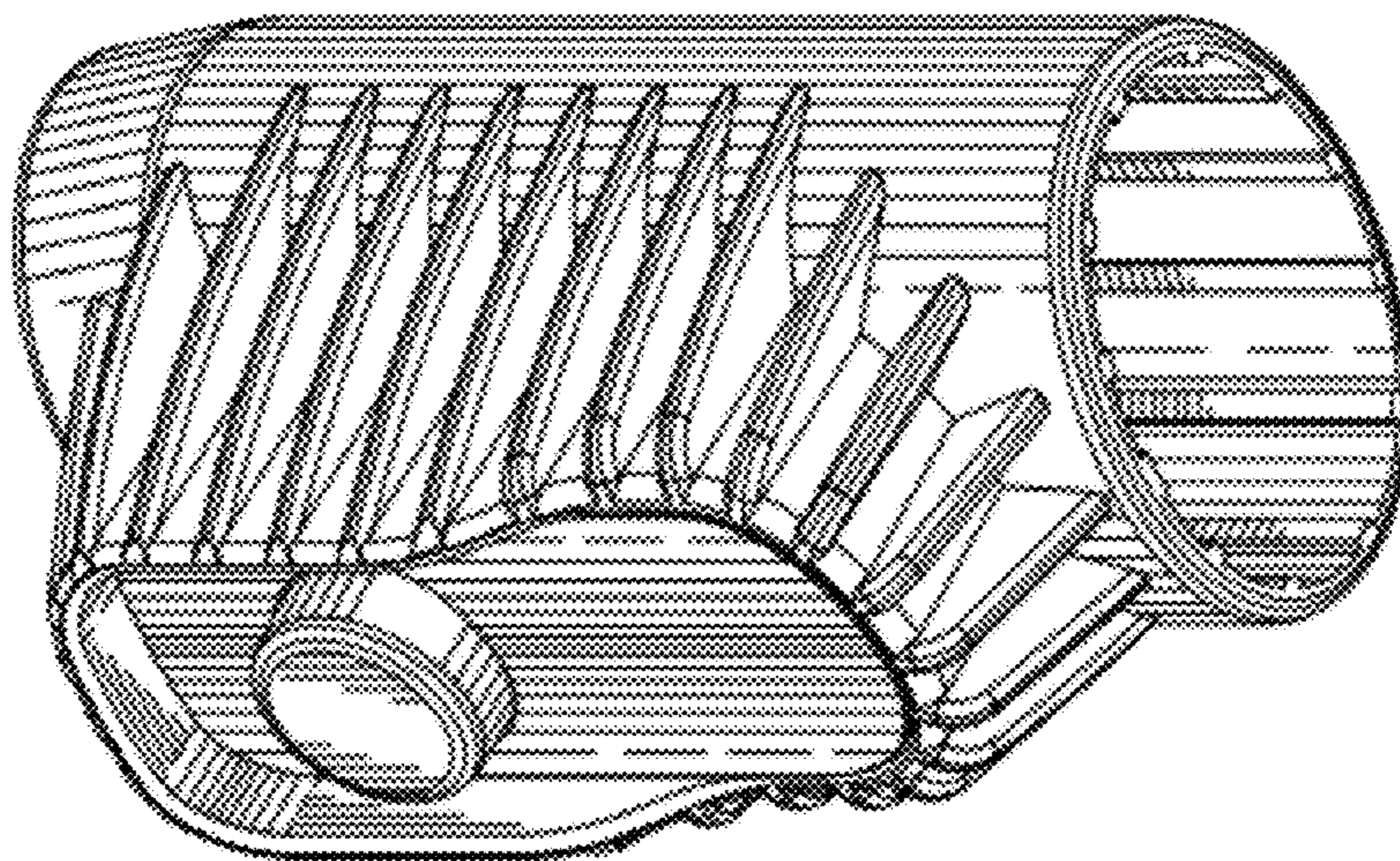


FIG. 2

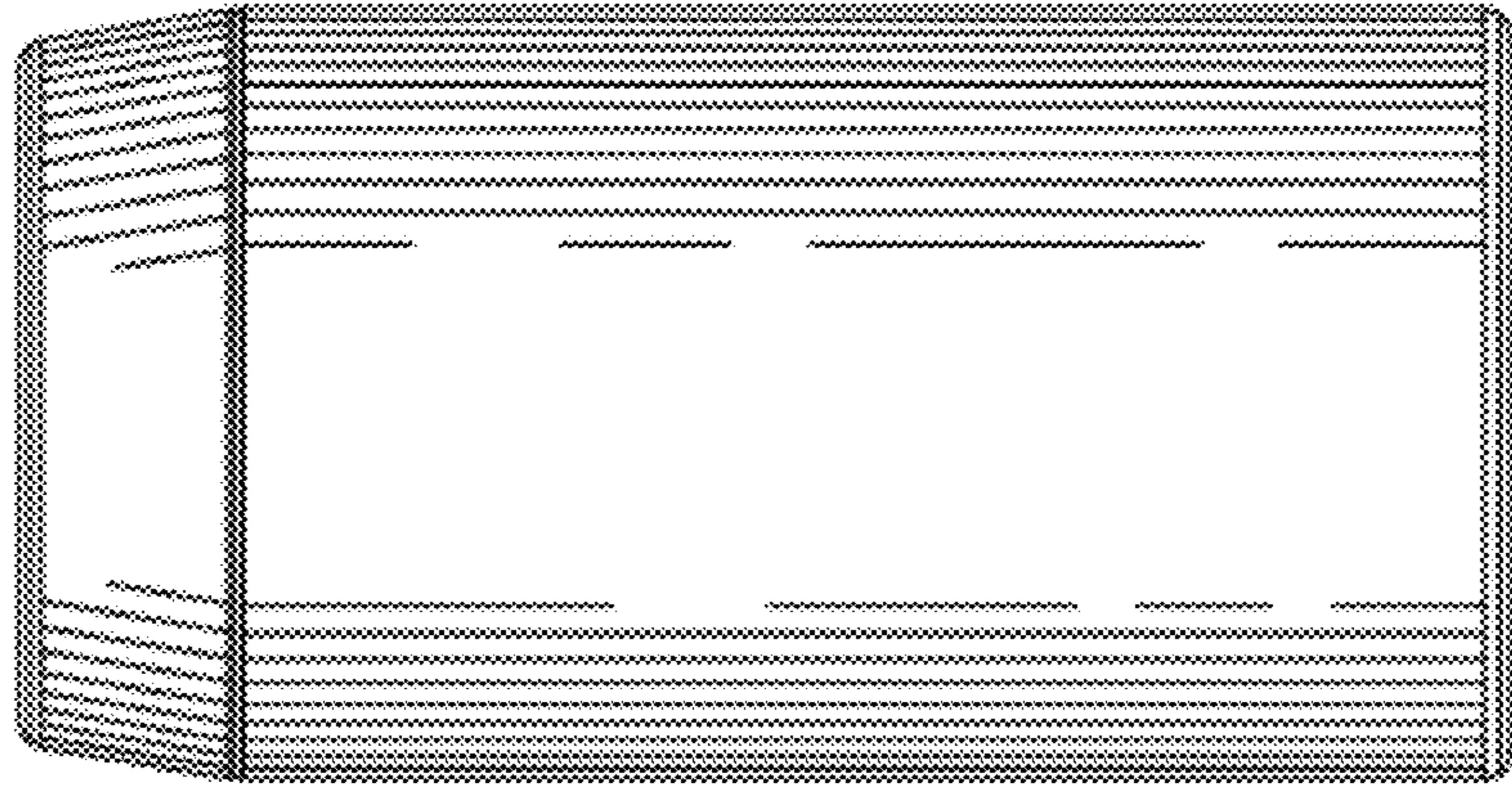


FIG. 5

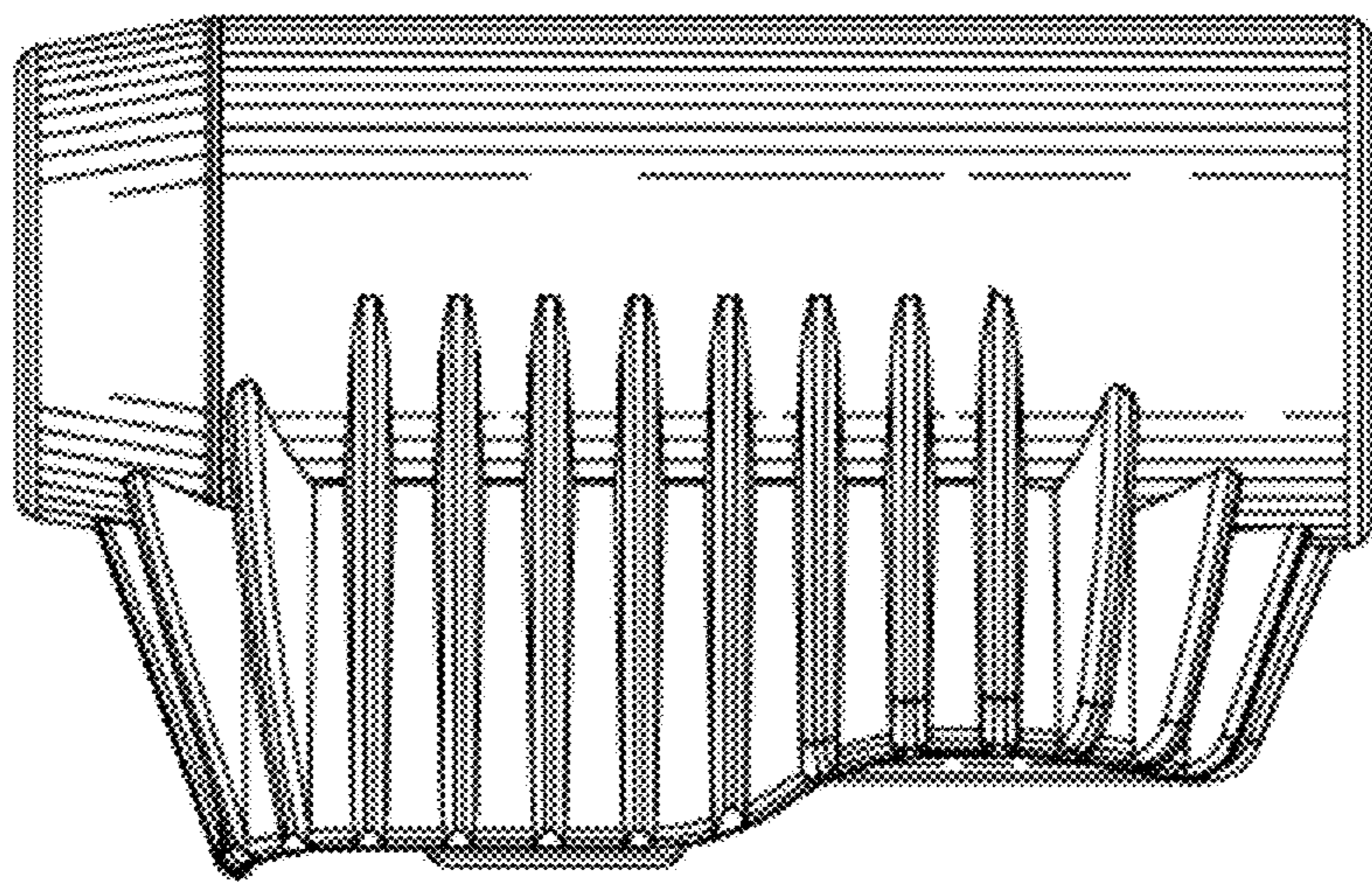


FIG. 4

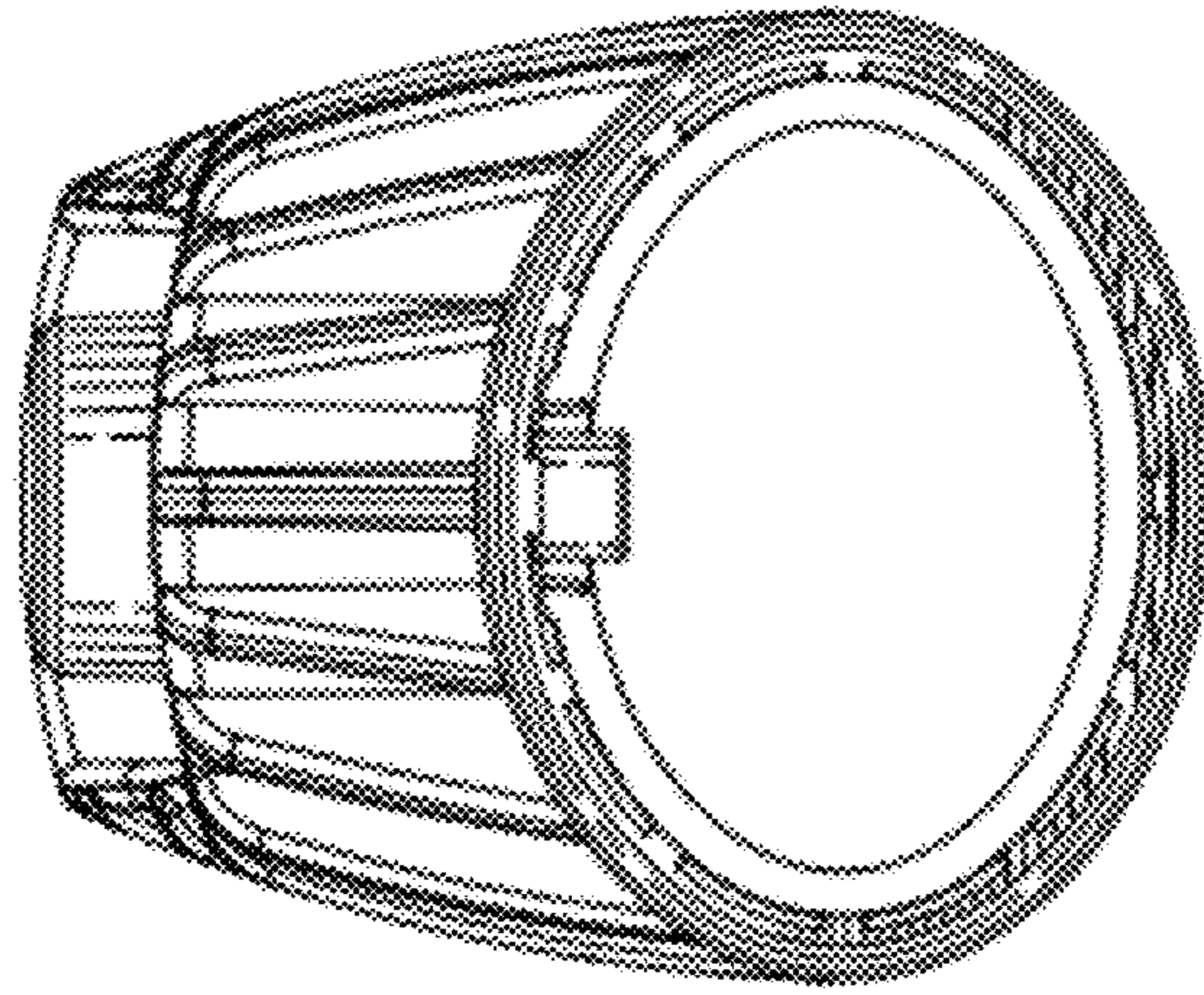


FIG. 7

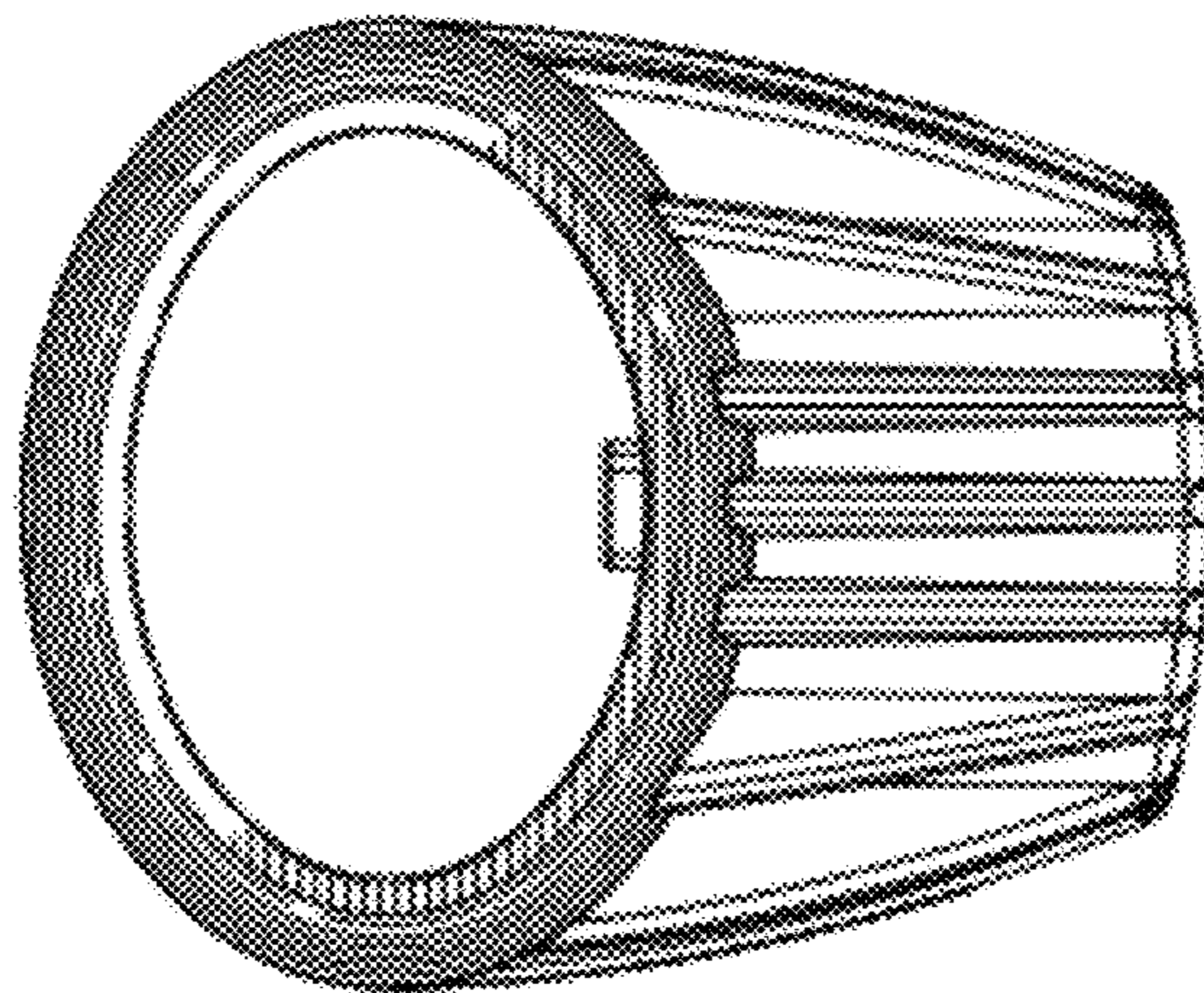


FIG. 8