

US00D664415S

(12) **United States Design Patent**
Gomez

(10) **Patent No.:** **US D664,415 S**

(45) **Date of Patent:** **** Jul. 31, 2012**

(54) **KNIFE HANDLE**

(75) Inventor: **Adrian Gomez**, West New York, NJ
(US)

(73) Assignee: **General Tools & Instruments Co.,
LLC**, New York, NY (US)

(**) Term: **14 Years**

(21) Appl. No.: **29/390,487**

(22) Filed: **Apr. 26, 2011**

(51) **LOC (9) Cl.** **08-03**

(52) **U.S. Cl.** **D8/98**

(58) **Field of Classification Search** D8/98-99,
D8/102, 105, 107; D19/41, 45-46, 55; 30/2,
30/151, 162, 329, 335, 340; 606/167; D24/147
See application file for complete search history.

(56) **References Cited**

U.S. PATENT DOCUMENTS

3,509,627	A *	5/1970	Gilbert et al.	30/125
D313,540	S *	1/1991	Toor et al.	D8/98
D345,290	S *	3/1994	Sauber	D8/107
D383,962	S *	9/1997	Daley et al.	D8/98
D410,030	S *	5/1999	Sunaga	D19/48
5,911,761	A *	6/1999	Tilley	7/160
D421,303	S *	2/2000	Cote et al.	D24/133
D436,126	S *	1/2001	Rosenbaum	D19/36
D451,142	S *	11/2001	Saito	D19/55
D486,182	S *	2/2004	Sener et al.	D19/55
D486,857	S *	2/2004	Sener et al.	D19/51
D487,773	S *	3/2004	Keda	D19/48
6,884,240	B1 *	4/2005	Dykes	606/1
D508,530	S *	8/2005	Qiu	D19/51
6,948,250	B1 *	9/2005	Caiafa et al.	30/162
D517,392	S *	3/2006	Lin	D8/107
7,022,128	B2 *	4/2006	Morawski et al.	606/167

D519,818	S *	5/2006	Knopow et al.	D8/99
D533,944	S *	12/2006	Sullivan et al.	D24/147
D565,917	S *	4/2008	Peterson et al.	D8/98
D638,273	S *	5/2011	Dunlap et al.	D8/99
D645,718	S *	9/2011	Crystal et al.	D8/98
D651,648	S *	1/2012	Luettgens	D19/55
2008/0110033	A1 *	5/2008	Peterson et al.	30/329

OTHER PUBLICATIONS

Tri-Lobe Precision Hobby Knife Set. Downloaded at <http://www.generaltools.com/95622--22-PIECE-TRI-LOBE-PRECISION-HOBBY-KNIF...> on Mar. 20, 2012.*

We R Memory Keepers—Crafter's Art Knife. Downloaded at <http://store.scrapbook.com/products/Art%20Knife.html> on Mar. 25, 2012.*

* cited by examiner

Primary Examiner — Philip S Hyder

Assistant Examiner — Roselyne Cody

(74) *Attorney, Agent, or Firm* — Leason Ellis LLP.

(57) **CLAIM**

The ornamental design for a knife handle, as shown and described.

DESCRIPTION

FIG. 1 is a top left perspective view.

FIG. 2 is a front elevational view.

FIG. 3 is a right elevational view, the left elevation being a mirror image thereof.

FIG. 4 is a rear elevational view.

FIG. 5 is a top plan view; and,

FIG. 6 is a bottom plan view.

The broken line showing of a knife blade attached to the handle is for the purpose of showing structure used with the knife handle and forms no part of the claimed design.

1 Claim, 2 Drawing Sheets

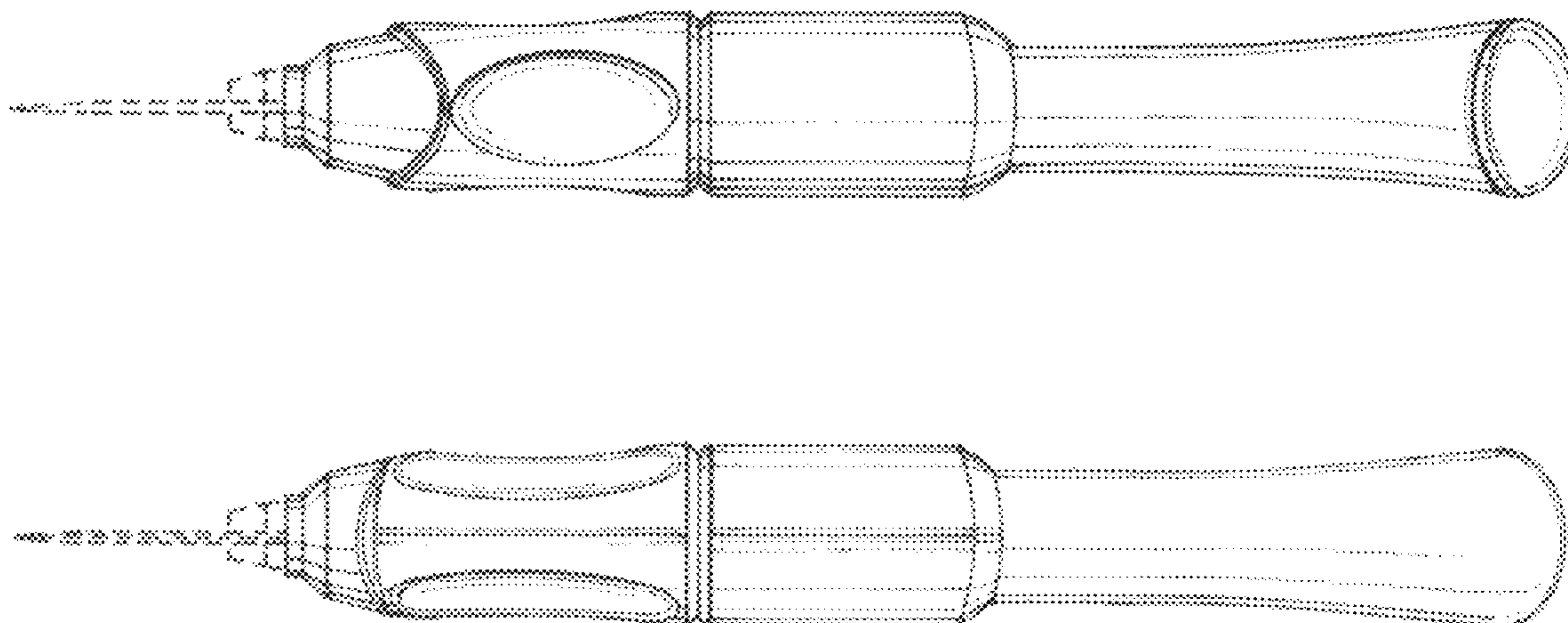


FIG. 2

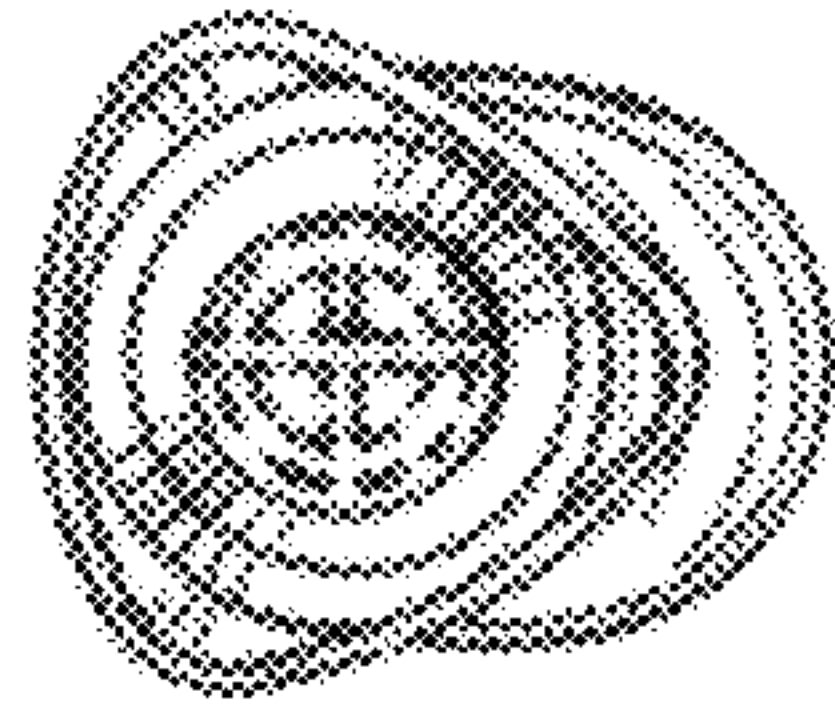


FIG 1

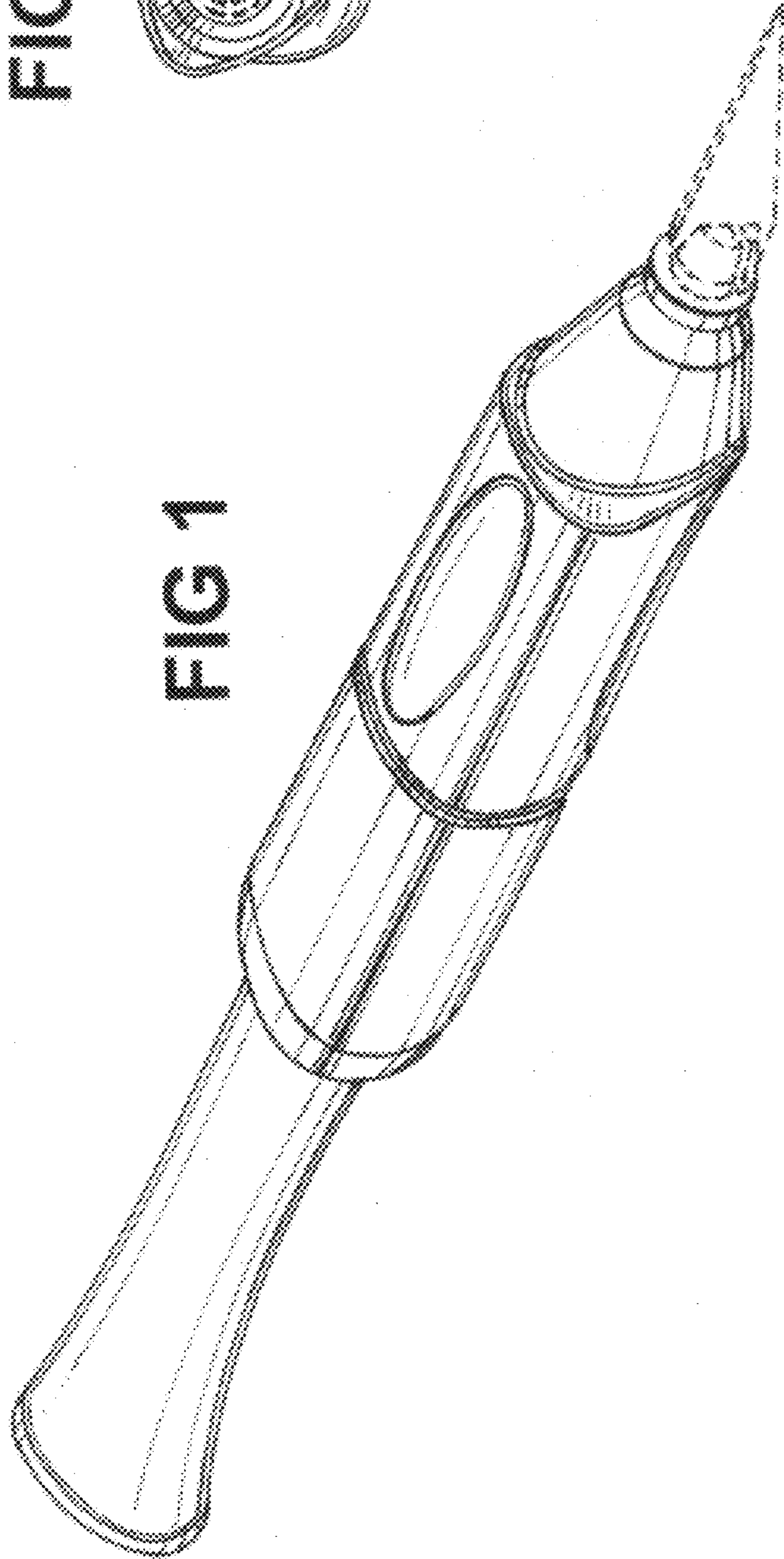
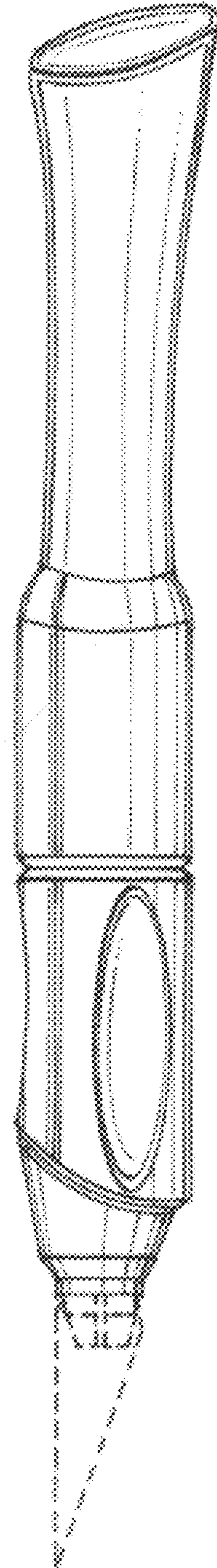


FIG. 3



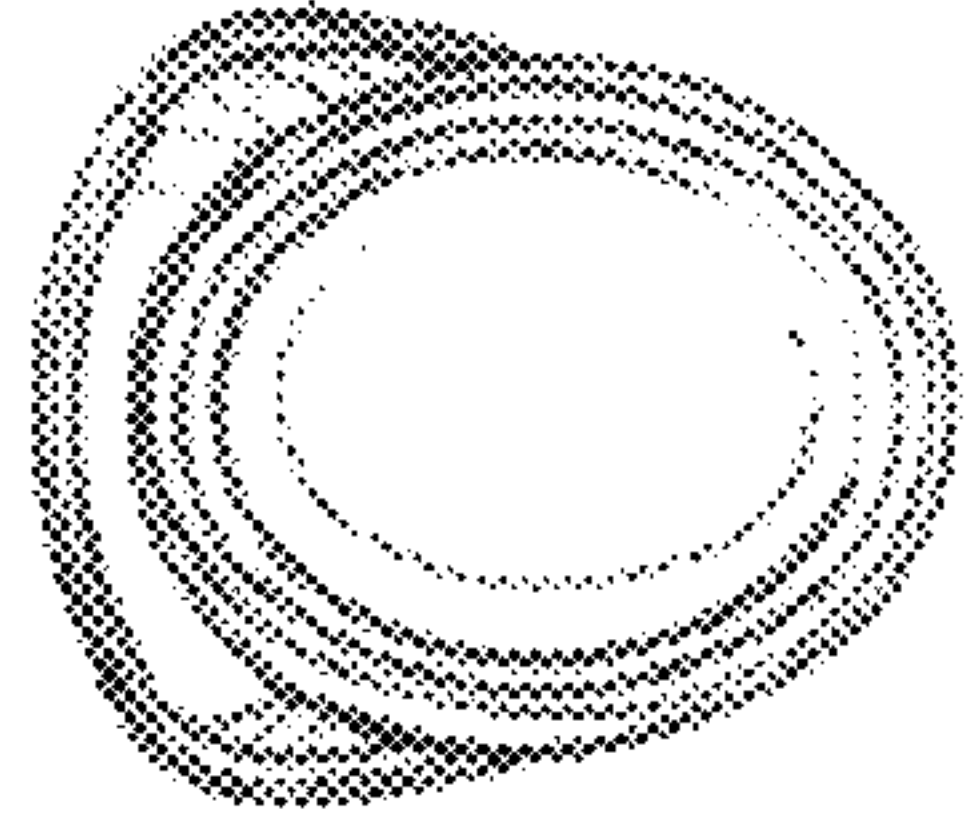


FIG. 4

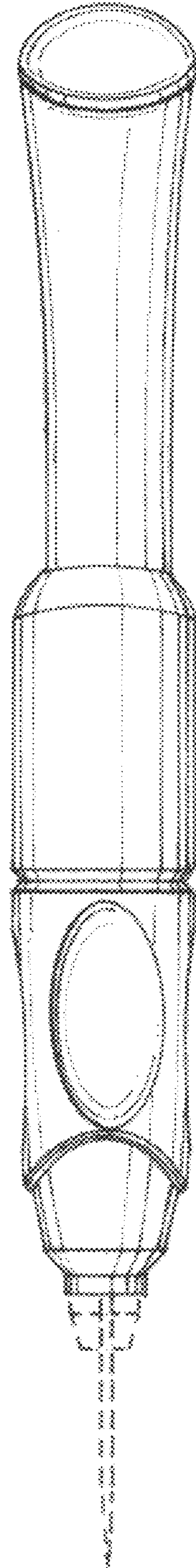


FIG. 5

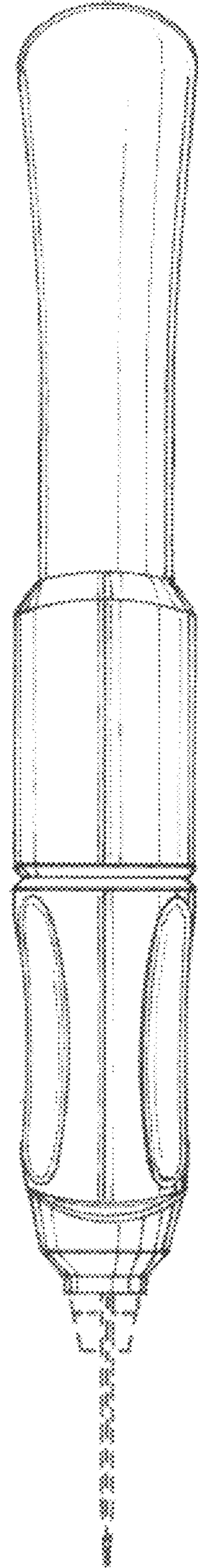


FIG. 6