



US00D664414S

(12) **United States Design Patent**
Wettlaufer et al.

(10) **Patent No.:** **US D664,414 S**
(45) **Date of Patent:** **** Jul. 31, 2012**

(54) **FORCE ARM CUTTING AND PRYING BLADE**

7,107,812 B1 9/2006 Patton et al.
(Continued)

(75) Inventors: **Edward Wettlaufer**, St. Clair Shores, MI (US); **James Trumble**, Royal Oak, MI (US); **Timothy R. Smith**, Commerce Township, MI (US); **Shaun C. Muston**, Brownstown, MI (US); **Dragi Gasevski**, West Bloomfield, MI (US); **Craig Mackiewicz**, Clawson, MI (US)

FOREIGN PATENT DOCUMENTS

JP 3117523 U9 11/2005
(Continued)

OTHER PUBLICATIONS

Notice of Transmittal, International Search Report and Written Opinion of the International Searching Authority dated Jan. 2, 2012 from the corresponding International Application No. PCT/US2011/024701.

(Continued)

Primary Examiner — Antoine D Davis

(74) *Attorney, Agent, or Firm* — Young Basile

(73) Assignee: **Altair Engineering, Inc.**, Troy, MI (US)

(**) Term: **14 Years**

(21) Appl. No.: **29/385,422**

(22) Filed: **Feb. 14, 2011**

(51) **LOC (9) Cl.** **08-05**

(52) **U.S. Cl.** **D8/70**

(58) **Field of Classification Search** D8/70;
29/238, 239; 30/228, 366; 60/325, 547.1,
60/560, 563, 593; 72/332, 392, 452, 453.16,
72/464, 705; 254/93 R, 93 HP

See application file for complete search history.

(57) **CLAIM**

The ornamental design for a force arm cutting and prying blade, as shown.

DESCRIPTION

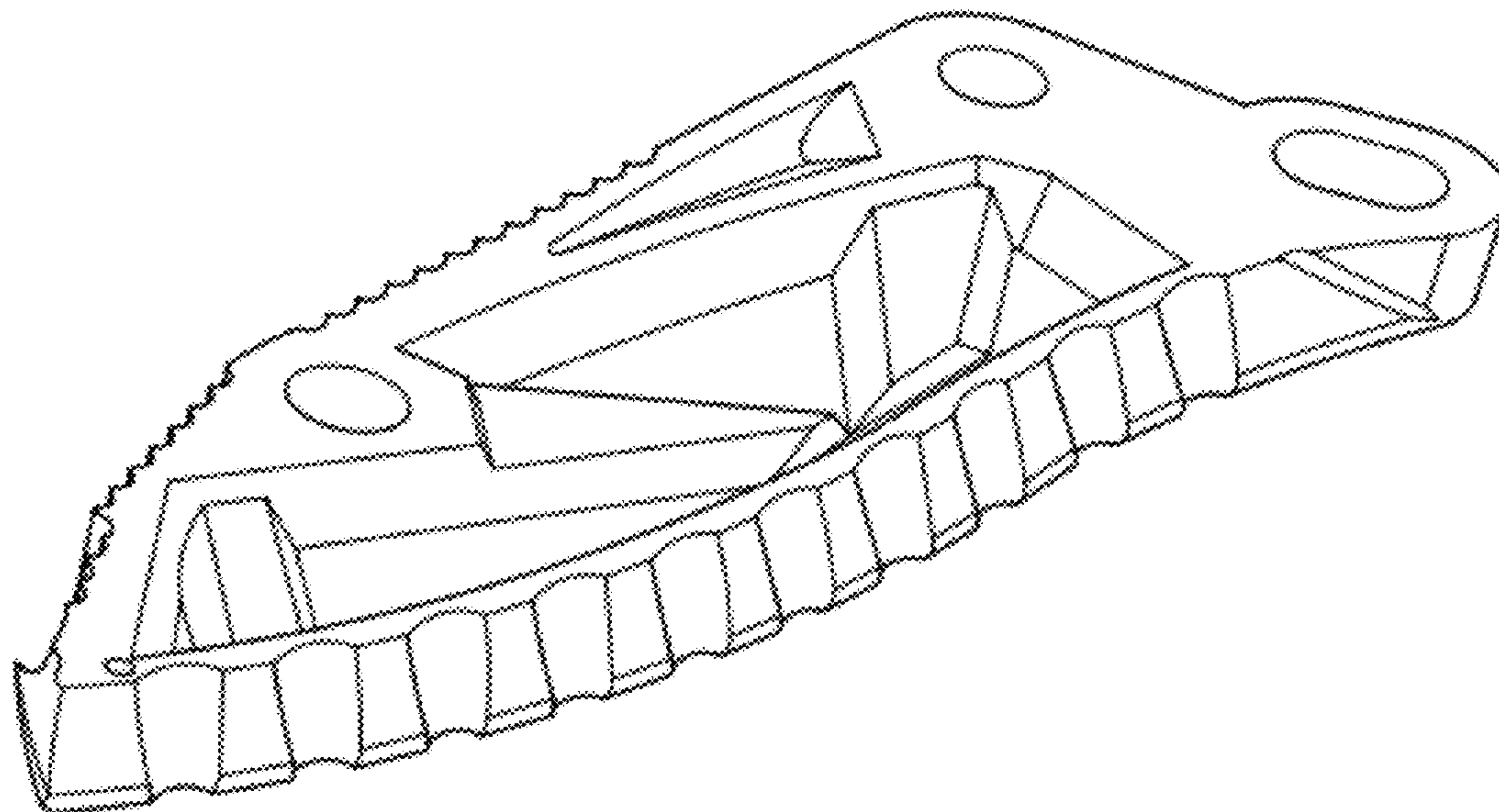
This invention was made with government support under contract. The government has certain rights in the invention. FIG. 1 is a perspective view of a force arm blade for exemplary use with a portable rescue tool; FIG. 2 is a front elevational view of the force arm shown in FIG. 1; FIG. 3 is a rear elevational view of the force arm shown in FIG. 1; FIG. 4 is a top view of the force arm shown in FIG. 2; FIG. 5 is a bottom view of the force arm shown in FIG. 2; FIG. 6 is a left end view of the force arm shown in FIG. 2; and, FIG. 7 is a right end view of the force arm shown in FIG. 2.

1 Claim, 2 Drawing Sheets

(56) **References Cited**

U.S. PATENT DOCUMENTS

4,333,330	A	6/1982	Porter	
4,531,289	A	7/1985	Brick	
4,842,249	A	6/1989	Weigand	
4,973,028	A	11/1990	Linster	
5,406,826	A	4/1995	Kuhlmann et al.	
6,000,680	A	12/1999	Kimura et al.	
6,179,001	B1	1/2001	Schutz	
6,578,821	B2	6/2003	Lasaroff et al.	
6,634,173	B2	10/2003	Linster et al.	
6,942,468	B2	9/2005	Sauerbier et al.	
D521,341	S *	5/2006	Kimura	D8/70
D523,314	S *	6/2006	Kimura	D8/70



US D664,414 S

Page 2

U.S. PATENT DOCUMENTS

7,219,526 B2 * 5/2007 Herod 72/453.07
7,234,683 B2 6/2007 Schutz
7,240,490 B2 7/2007 Baumuller et al.
7,409,828 B2 8/2008 Bertleff
2007/0033984 A1 * 2/2007 Goop 72/453.16
2007/0289645 A1 12/2007 Schutz
2009/0045384 A1 2/2009 Jacobs
2010/0025647 A1 * 2/2010 Strohmeier 254/93 R

FOREIGN PATENT DOCUMENTS

KR 20-0232117 Y1 7/2001
NL 1014253 C2 2/2000

OTHER PUBLICATIONS

Hurst Jaws, Products ML-16C and ML-16S, www.hurstjaws.com,
2003.
Holmatro Rescue Equipment, Products HCT 3120, <http://products.holmatro-usa.com>, 2003.

* cited by examiner

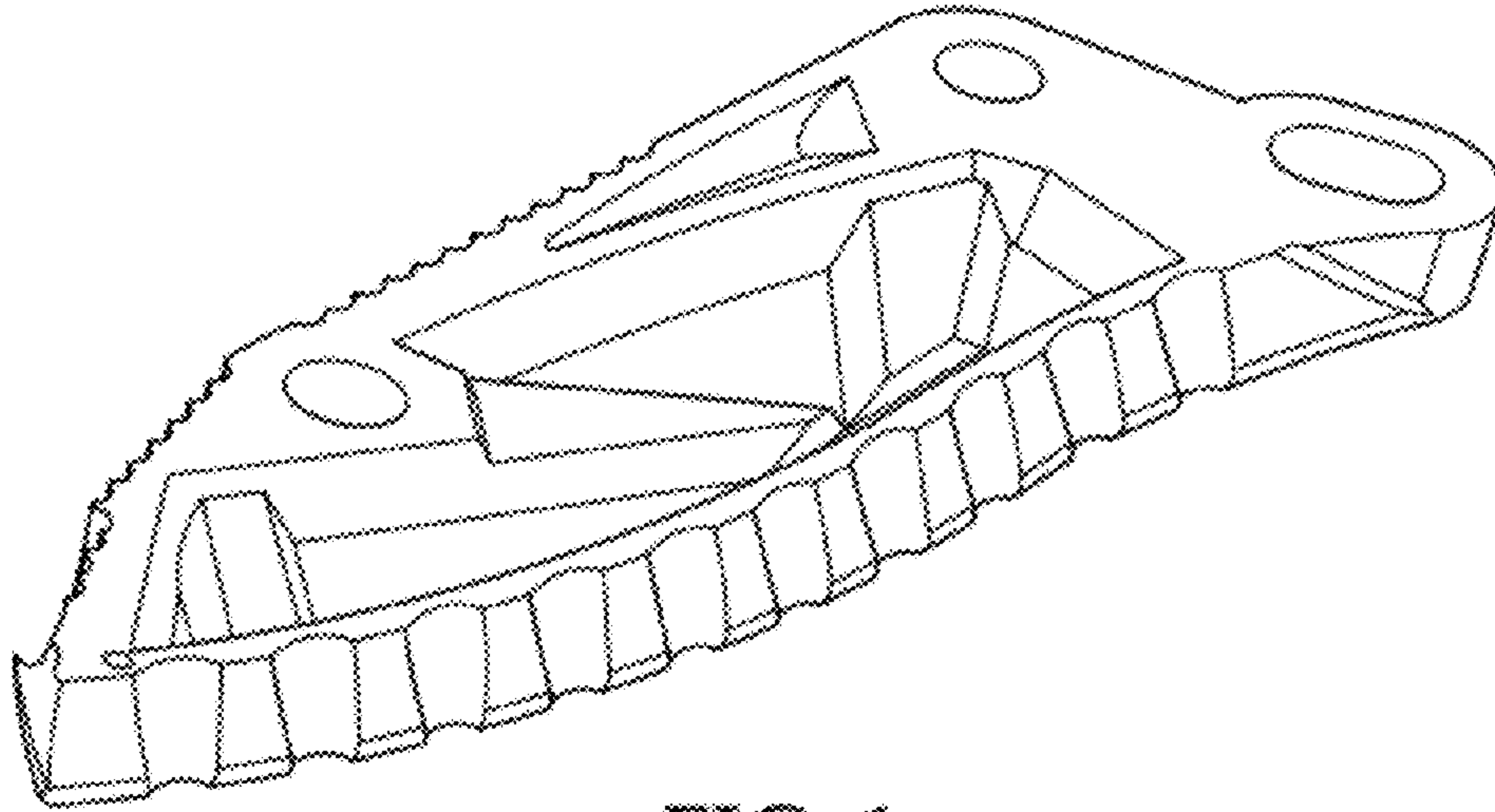


FIG. 1

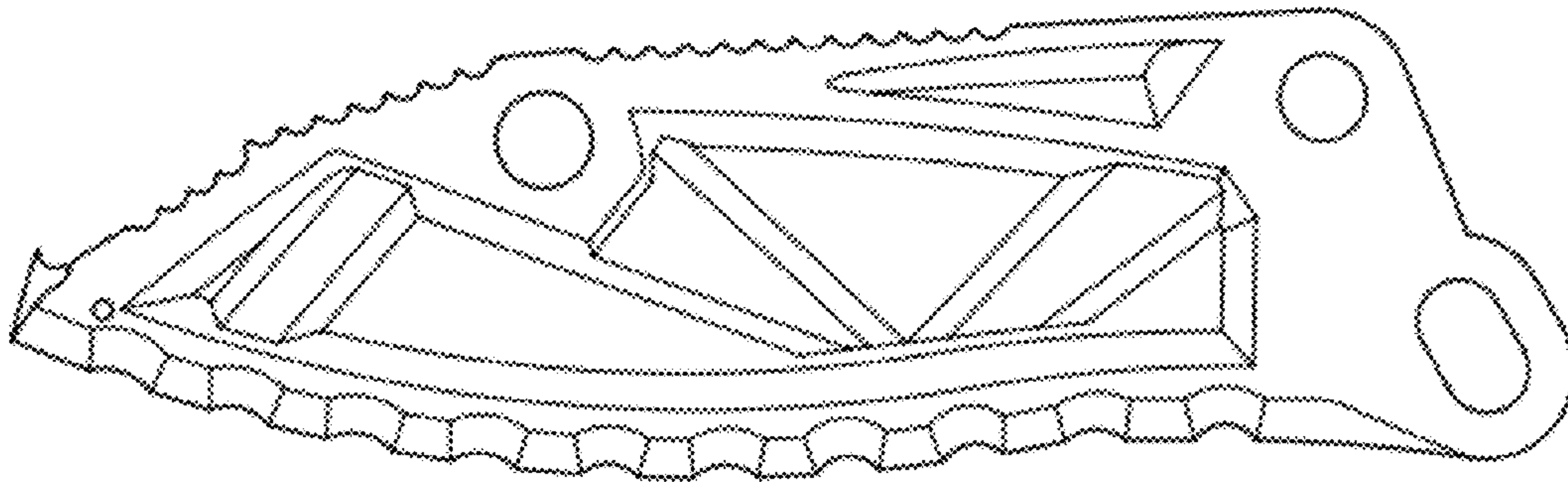


FIG. 2

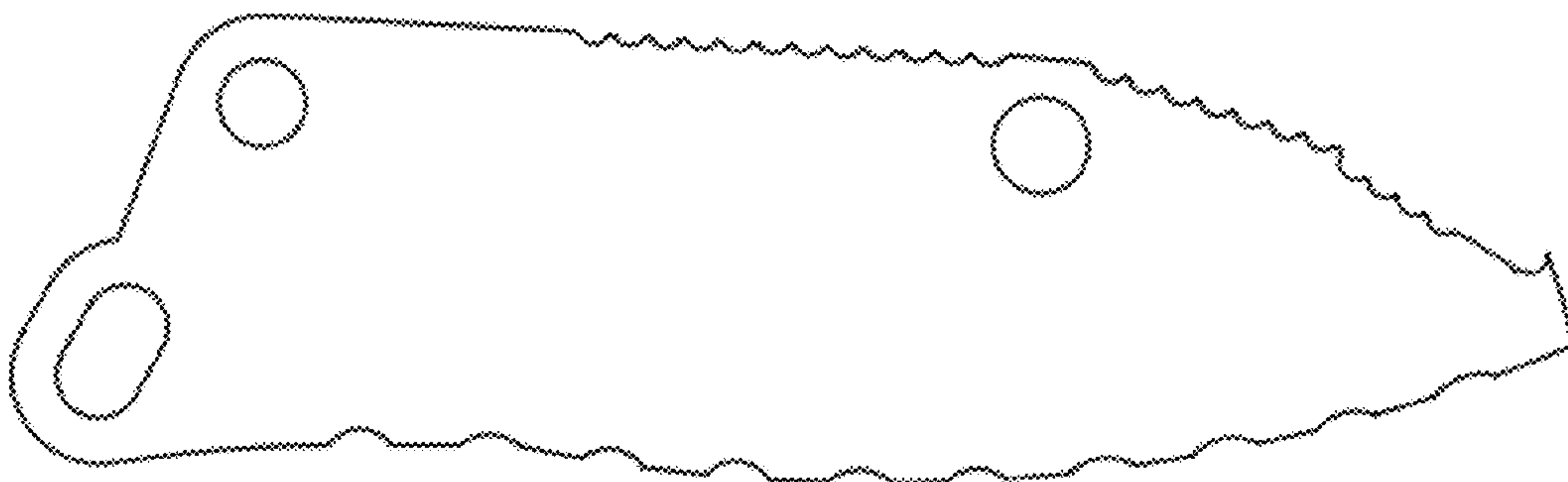


FIG. 3

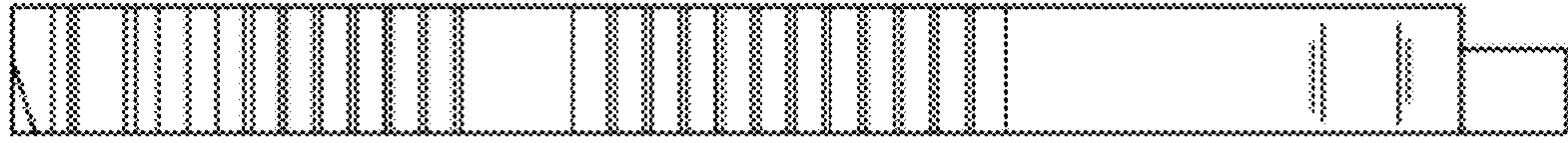


FIG. 4

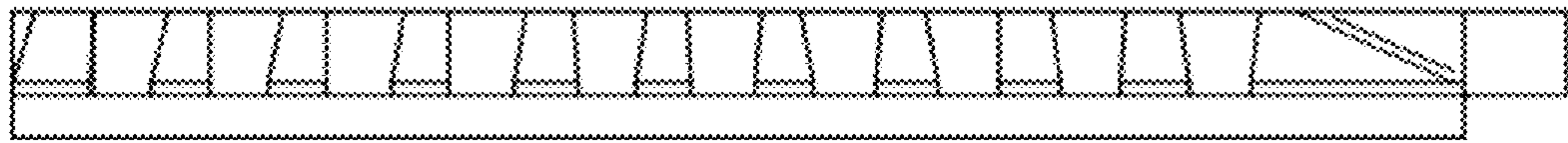


FIG. 5

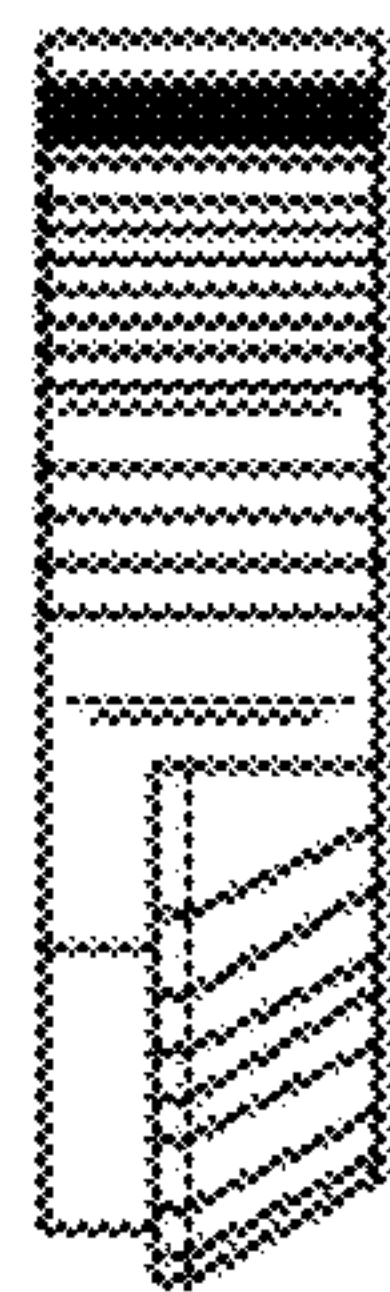


FIG. 6

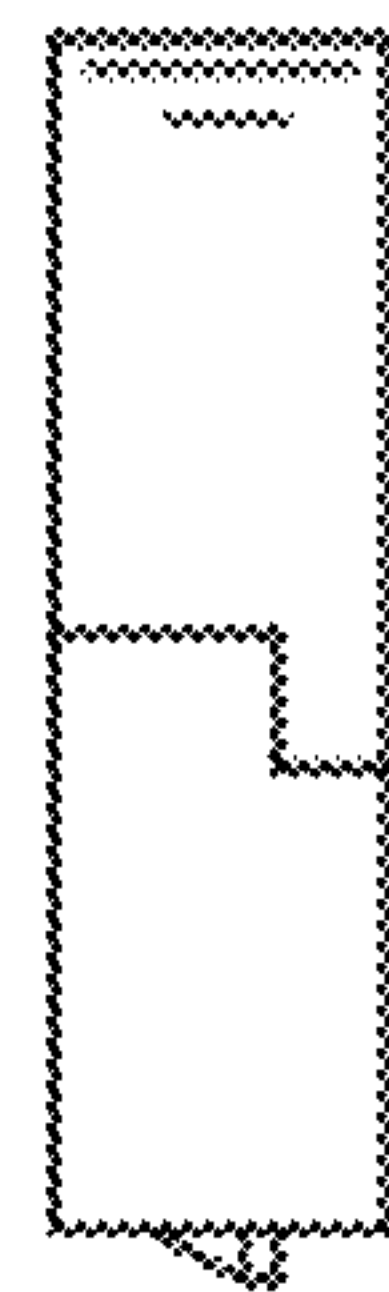


FIG. 7